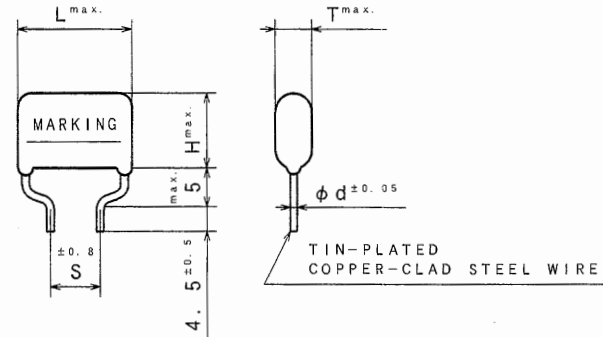
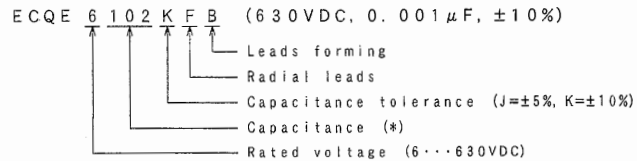


THIRD ANGLE PROJECTION

ITEM CODE	RATED VOLTAGE	CAP. $\mu F$ (*)	DIMENSIONS				
			L	T	H	S	d
ECQE6102 () FB	630VDC	0.001 (102)	10.0	4.5	9.5	5.0	0.6
" 6122 () FB	"	0.0012 (122)	"	"	10.0	"	"
" 6152 () FB	"	0.0015 (152)	"	"	"	"	"
" 6182 () FB	"	0.0018 (182)	"	"	"	"	"
" 6222 () FB	"	0.0022 (222)	"	"	"	"	"
" 6272 () FB	"	0.0027 (272)	"	"	"	"	"
" 6332 () FB	"	0.0033 (332)	"	"	"	"	"
" 6392 () FB	"	0.0039 (392)	"	"	"	"	"
" 6472 () FB	"	0.0047 (472)	12.0	"	"	7.5	"
" 6562 () FB	"	0.0056 (562)	"	"	"	"	"
" 6682 () FB	"	0.0068 (682)	"	4.9	"	"	"
" 6822 () FB	"	0.0082 (822)	"	4.5	"	"	"

TOL. SYMBOL (J or K)

ITEM CODE NUMBER STRUCTURE



CONSTRUCTION

The capacitor is of non-inductive construction, wound with metallized polyester film dielectric.  
The capacitor is enclosed in non-combustible epoxy resin and has two leads.

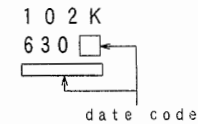
MARKING

Marking comprises capacitance, capacitance tolerance, rated voltage, and date code.

PROPERTIES

Capacitance : See table at 1kHz  
 Capacitance tolerance :  $\pm 5\%$  (J),  $\pm 10\%$  (K) at 1kHz  
 Rated voltage : 630VDC  $\Delta$  (Derating of rated voltage by 1.25%/C at more than 85C)  
 Withstand voltage : 630VDC  $\times 150\%$  for 60s  
 Insulation resistance :  $\geq 9000\Omega$  at 100VDC, 20C for 60s  
 Dissipation factor :  $\leq 1.0\%$  at 1kHz, 20C  
 Category temperature range : From -40C to +105C  
 (including temperature rise on unit surface)

MARKING EXAMPLE



ALTERATION

ISSUE	DESCRIPTION	DATE
$\Delta$	Company name changed Error correction	Apr. 1 2008
$\Delta$	Company name changed	Apr. 1 2012
$\Delta$	Company name changed	Apr. 1 2013

SPECIFICATIONS No.

Reference

DESIGN	<i>M. Matsuda</i>
CHECKED	<i>K. Ozaki</i>
APPROVAL	<i>K. Furukawa</i>
ESTABLISHMENT	Jan. 22, 2008
TYPE NAME	ECQE6*** () FB
NAME	Metallized Polyester Film Capacitor
DRAWING NAME	PRODUCT DRAWING
DRAWING No.	8002M-J-E (1/1)

Film Capacitor Division  
 Capacitor Business Division  
 Panasonic Corporation

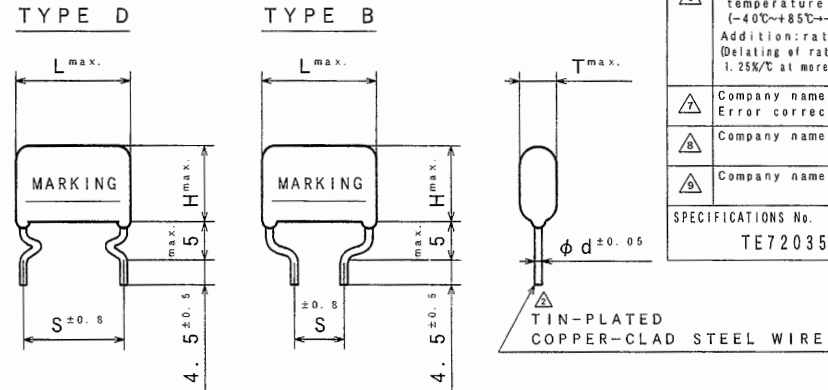
THIRD ANGLE PROJECTION

ITEM CODE	RATED VOLTAGE	CAP. $\mu F$ ( * )	DIMENSIONS					MARKING STYLE	FORMING TYPE
			L	T	H	S	d		
ECQE6103 () FB	630VDC	0.01 (103)	12.0	4.5	7.5	10.0	0.6	1	D
" 6123 () FB	"	0.012 (123)	"	"	7.8	"	"	"	"
" 6153 () FB	"	0.015 (153)	"	5.0	8.2	"	"	"	"
" 6183 () FB	"	0.018 (183)	"	4.9	10.0	"	"	"	"
" 6223 () FB	"	0.022 (223)	"	5.3	10.5	"	"	"	"
" 6273 () FB	"	0.027 (273)	"	5.5	10.9	"	"	"	"
" 6333 () FB	"	0.033 (333)	"	6.0	11.9	"	"	"	"
" 6393 () FB	"	0.039 (393)	"	"	13.4	"	"	"	"
" 6473 () FB	"	0.047 (473)	"	6.5	13.5	"	"	"	"
" 6563 () FB	"	0.056 (563)	18.5	5.4	10.5	"	"	2	B
" 6683 () FB	"	0.068 (683)	"	5.8	11.0	"	"	"	"
" 6823 () FB	"	0.082 (823)	"	6.5	12.0	"	"	"	"
" 6104 () FB	"	0.1 (104)	"	6.3	14.0	"	"	"	"
" 6124 () FB	"	0.12 (124)	"	"	14.5	"	0.8	"	"
" 6154 () FB	"	0.15 (154)	"	7.5	15.4	"	"	"	"
" 6184 () FB	"	0.18 (184)	"	8.0	16.0	"	"	"	"
" 6224 () FB	"	0.22 (224)	"	9.0	16.5	"	"	"	"
" 6274 () FB	"	0.27 (274)	26.0	7.0	15.0	"	"	"	"
" 6334 () FB	"	0.33 (334)	"	7.8	17.0	"	"	"	"
" 6394 () FB	"	0.39 (394)	"	8.5	17.9	"	"	"	"
" 6474 () FB	"	0.47 (474)	"	9.3	18.5	"	"	"	"
" 6564 () FB	"	0.56 (564)	"	10.0	20.0	"	"	"	"
" 6684 () FB	"	0.68 (684)	"	11.5	21.0	"	"	"	"
" 6824 () FB	"	0.82 (824)	31.0	11.3	20.5	22.5	"	"	"
" 6105 () FB	"	1.0 (105)	"	12.5	21.9	"	"	"	"
" 6125 () FB	"	1.2 (125)	"	13.5	23.0	"	"	"	"
" 6155 () FB	"	1.5 (155)	"	15.3	24.7	"	"	"	"
" 6185 () FB	"	1.8 (185)	"	16.8	27.0	"	"	"	"
" 6225 () FB	"	2.2 (225)	"	19.5	29.0	"	"	"	"

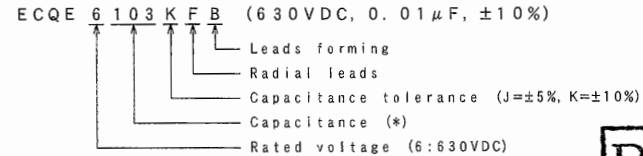
TOL. SYMBOL (J or K)

ALTERATION		
ISSUE	DESCRIPTION	DATE
△	Modification	Jun. 20 2002
△	Company name changed	Oct. 1 2004
△	Company name changed	Apr. 1 2005
△	Company name changed	Apr. 1 2008
△	Correction: category temperature range (-40°C~+85°C→-40°C~+105°C) Addition: rated voltage (Derating of rated voltage by 1.25%/°C at more than 85°C)	Jan. 22 2008
△	Company name changed Error correction	Apr. 1 2008
△	Company name changed	Apr. 1 2012
△	Company name changed	Apr. 1 2013

SPECIFICATIONS No.  
TE72035Y



ITEM CODE NUMBER STRUCTURE



Reference

DESIGN	M. Akagawa
CHECKED	K. Osaki
APPROVAL	K. Takumitsu
ESTABLISHMENT	Apr. 27, 1987
TYPE NAME	ECQE6*** () FB
NAME	Metallized Polyester Film Capacitor
DRAWING NAME	PRODUCT DRAWING
DRAWING No.	CT-H-C018 (1/1)

Film Capacitor Division  
Capacitor Business Division  
Panasonic Corporation

CONSTRUCTION

The capacitor is of non-inductive construction, wound with metallized polyester film dielectric.  
The capacitor is enclosed in non-combustible epoxy resin and has two leads.

MARKING

Marking comprises capacitance, capacitance tolerance, rated voltage, manufacturer's trademark (STYLE 2 only) and date code.

PROPERTIES

Capacitance: See table at 1kHz  
 Capacitance tolerance:  $\pm 5\%$  (J),  $\pm 10\%$  (K) at 1kHz  
 Rated voltage: 630VDC (Derating of rated voltage by 1.25%/°C at more than 85°C)  
 Withstand voltage: 630VDC $\times 150\%$  for 60s  
 Insulation resistance:  $\geq 9000M\Omega$  ( $C \leq 0.33\mu F$ ) at 100VDC, 20°C for 60s  
 $\geq 3000M\Omega \cdot \mu F$  ( $C > 0.33\mu F$ ) at 100VDC, 20°C for 60s  
 Dissipation factor:  $\leq 1.0\%$  at 1kHz, 20°C  
 Category temperature range: From -40°C to +105°C (including temperature rise on unit surface)

MARKING EXAMPLE

