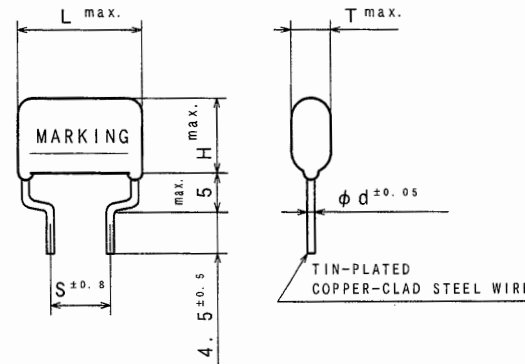


THIRD ANGLE PROJECTION

ITEM CODE	CAP.		DIMENSIONS					VOLUME (mm ³)	MARKING STYLE	Note
	μF	(*)	L	T	H	S	d			
ECWF2W104JAB	0.1	(104)	13.0	5.1	9.3	7.5	0.6	503	1	
" 2W124JAB	0.12	(124)	"	5.4	9.5	"	"	541	"	
" 2W154JAB	0.15	(154)	"	5.7	9.9	"	"	597	"	
" 2W184JAB	0.18	(184)	"	6.1	10.2	"	"	652	"	
" 2W224JAB	0.22	(224)	"	6.5	10.6	"	"	720	"	
" 2W274JAB	0.27	(274)	"	7.0	11.1	"	"	808	"	
" 2W334JAB	0.33	(334)	"	7.6	11.7	"	"	911	"	
" 2W394JAB	0.39	(394)	"	8.1	12.2	"	"	1014	"	
" 2W474JAB	0.47	(474)	"	8.7	12.9	"	"	1148	"	
" 2W564JAB	0.56	(564)	18.1	7.0	11.5	"	0.8	1204	2	
" 2W684JAB	0.68	(684)	"	7.5	12.1	"	"	1359	"	
" 2W824JAB	0.82	(824)	"	8.2	12.7	"	"	1536	"	
" 2W105JAB	1.0	(105)	"	9.3	12.6	"	"	1696	"	
" 2W125JAB	1.2	(125)	18.8	9.7	14.7	"	"	2180	3	*
" 2W155JAB	1.5	(155)	"	10.7	15.8	"	"	2566	"	*
" 2W185JAB	1.8	(185)	"	11.6	16.7	"	"	2945	"	*
" 2W225JAB	2.2	(225)	"	12.8	17.9	"	"	3444	"	*
" 2W275JAB	2.7	(275)	26.3	10.6	16.5	15.0	"	3815	"	*
" 2W335JAB	3.3	(335)	"	11.7	17.5	"	"	4426	"	*
" 2W395JAB	3.9	(395)	"	12.6	18.4	"	"	5027	"	*
" 2W475JAB	4.7	(475)	"	13.8	19.6	"	"	5815	"	*

Note

*The specimen (the volume is more than 1750mm³) shall be satisfied with IEC60384-1 Inflammability Category B based on IEC60065, 1998~



ALTERATION		
ISSUE	DESCRIPTION	DATE
△	Company name changed	Apr. 1 2012
△	Company name changed	Apr. 1 2013
SPECIFICATIONS No.		

CONSTRUCTION

The capacitor is of non-inductive construction, wound with metallized polypropylene film dielectric.

The capacitor is enclosed in non-combustible epoxy resin and has two leads.

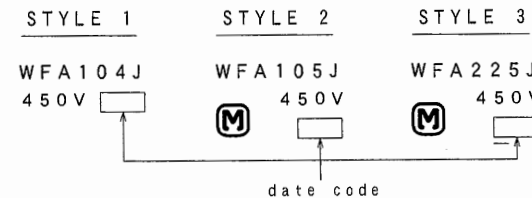
MARKING

Marking comprises capacitance, capacitance tolerance, rated voltage, manufacturer's trademark (STYLE 2, 3) and date code.

PROPERTIES

- *Capacitance : See table at 1kHz.
- *Capacitance tolerance : ±5% (J) at 1kHz.
- *Rated voltage : 450VDC
(Derating of rated voltage by 1.25%/°C at more than 85°C)
- *Withstand voltage (terminal-terminal) : 450VDC×150% for 60s
- *Insulation resistance : ≥300000MΩ (C≤0.33μF) at 100VDC, 20°C for 60s
: ≥100000MΩ·μF (C>0.33μF) at 100VDC, 20°C for 60s
- *Dissipation factor : ≤0.1% at 1kHz, 20°C
- *Category temperature range : From -40°C to +105°C
(including temperature rise on unit surface)

MARKING EXAMPLE



Reference

DESIGN	<i>M. Nakada</i>	
CHECKED	<i>N. Kasuga</i>	
APPROVAL	<i>K. Fukumitsu</i>	
ESTABLISHMENT	Aug. 3, 2009	
TYPE NAME	ECWF2W***JAB	
NAME	Metallized Polypropylene Film Capacitor	
DRAWING NAME	PRODUCT DRAWING	
DRAWING No.	8047J-J-E (1/1)	

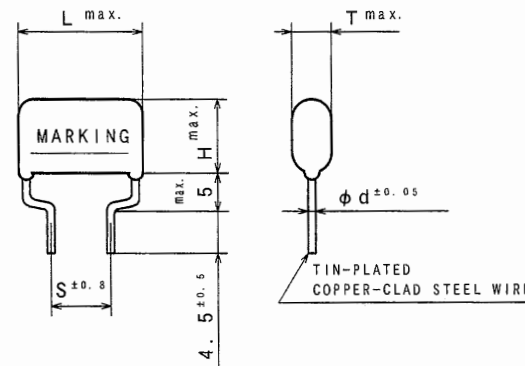
Film Capacitor Division
Capacitor Business Division
Panasonic Corporation

THIRD ANGLE PROJECTION

ITEM CODE	CAP. μF (*)	DIMENSIONS					VOLUME (mm ³)	MARKING STYLE	Note
		L	T	H	S	d			
ECWF2W104KAB	0.1 (104)	13.0	5.1	9.3	7.5	0.6	503	1	
" 2W124KAB	0.12 (124)	"	5.4	9.5	"	"	541	"	
" 2W154KAB	0.15 (154)	"	5.7	9.9	"	"	597	"	
" 2W184KAB	0.18 (184)	"	6.1	10.2	"	"	652	"	
" 2W224KAB	0.22 (224)	"	6.5	10.6	"	"	720	"	
" 2W274KAB	0.27 (274)	"	7.0	11.1	"	"	808	"	
" 2W334KAB	0.33 (334)	"	7.6	11.7	"	"	911	"	
" 2W394KAB	0.39 (394)	"	8.1	12.2	"	"	1014	"	
" 2W474KAB	0.47 (474)	"	8.7	12.9	"	"	1148	"	
" 2W564KAB	0.56 (564)	18.1	7.0	11.5	"	0.8	1204	2	
" 2W684KAB	0.68 (684)	"	7.5	12.1	"	"	1359	"	
" 2W824KAB	0.82 (824)	"	8.2	12.7	"	"	1536	"	
" 2W105KAB	1.0 (105)	"	9.3	12.6	"	"	1696	"	
" 2W125KAB	1.2 (125)	18.8	9.7	14.7	"	"	2180	3	*
" 2W155KAB	1.5 (155)	"	10.7	15.8	"	"	2566	"	*
" 2W185KAB	1.8 (185)	"	11.6	16.7	"	"	2945	"	*
" 2W225KAB	2.2 (225)	"	12.8	17.9	"	"	3444	"	*
" 2W275KAB	2.7 (275)	26.3	10.6	16.5	15.0	"	3815	"	*
" 2W335KAB	3.3 (335)	"	11.7	17.5	"	"	4426	"	*
" 2W395KAB	3.9 (395)	"	12.6	18.4	"	"	5027	"	*
" 2W475KAB	4.7 (475)	"	13.8	19.6	"	"	5815	"	*

Note

*The specimen (the volume is more than 1750mm³) shall be satisfied with IEC60384-1 Inflammability Category B based on IEC60065, 1998~



ALTERATION		
ISSUE	DESCRIPTION	DATE
△	Company name changed	Apr. 1 2012
△	Company name changed	Apr. 1 2013
SPECIFICATIONS No.		

CONSTRUCTION

The capacitor is of non-inductive construction, wound with metallized polypropylene film dielectric.

The capacitor is enclosed in non-combustible epoxy resin and has two leads.

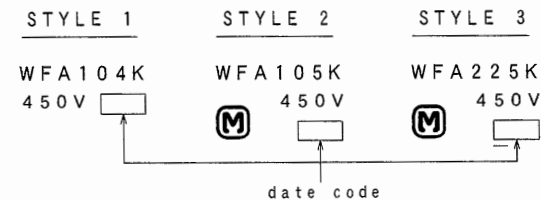
MARKING

Marking comprises capacitance, capacitance tolerance, rated voltage, manufacturer's trademark (STYLE 2, 3) and date code.

PROPERTIES

- *Capacitance : See table at 1kHz.
- *Capacitance tolerance : ±10% (K) at 1kHz.
- *Rated voltage : 450VDC
(Derating of rated voltage by 1.25%/°C at more than 85°C)
- *Withstand voltage (terminal-terminal) : 450VDC×150% for 60s
- *Insulation resistance : ≥300000MΩ (C≤0.33μF) at 100VDC, 20°C for 60s
: ≥100000MΩ·μF (C>0.33μF) at 100VDC, 20°C for 60s
- *Dissipation factor : ≤0.1% at 1kHz, 20°C
- *Category temperature range : From -40°C to +105°C
(including temperature rise on unit surface)

MARKING EXAMPLE



Reference

DESIGN	<i>M. Mochida</i>
CHECKED	<i>N. Kasuga</i>
APPROVAL	<i>K. Furumitsu</i>
ESTABLISHMENT	Aug. 3, 2009
TYPE NAME	ECWF2W***KAB
NAME	Metallized Polypropylene Film Capacitor
DRAWING NAME	PRODUCT DRAWING
DRAWING No.	8046J-J-E (1/1)

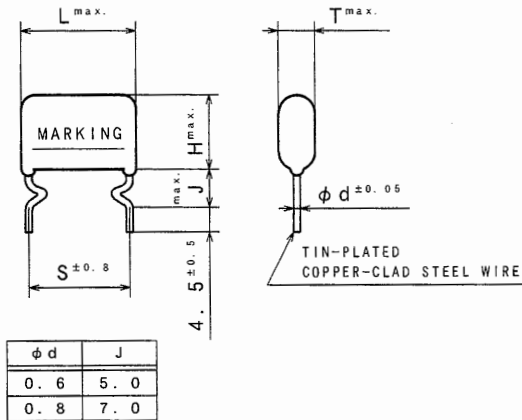
Film Capacitor Division
Capacitor Business Division
Panasonic Corporation

THIRD ANGLE PROJECTION

ITEM CODE	CAP.		DIMENSIONS					VOLUME (mm ³)	MARKING STYLE	Note
	μF	(*)	L	T	H	S	d			
ECWF2W104JAQ	0.1	(104)	13.0	5.1	9.3	10.0	0.6	503	1	
" 2W124JAQ	0.12	(124)	"	5.4	9.5	"	"	541	"	
" 2W154JAQ	0.15	(154)	"	5.7	9.9	"	"	597	"	
" 2W184JAQ	0.18	(184)	"	6.1	10.2	"	"	652	"	
" 2W224JAQ	0.22	(224)	"	6.5	10.6	"	"	720	"	
" 2W274JAQ	0.27	(274)	"	7.0	11.1	"	"	808	"	
" 2W334JAQ	0.33	(334)	"	7.6	11.7	"	"	911	"	
" 2W394JAQ	0.39	(394)	"	8.1	12.2	"	"	1014	"	
" 2W474JAQ	0.47	(474)	"	8.7	12.9	"	"	1148	"	
" 2W564JAQ	0.56	(564)	18.1	7.0	11.5	15.0	0.8	1204	2	
" 2W684JAQ	0.68	(684)	"	7.5	12.1	"	"	1359	"	
" 2W824JAQ	0.82	(824)	"	8.2	12.7	"	"	1536	"	
" 2W105JAQ	1.0	(105)	"	9.3	12.6	"	"	1696	"	
" 2W125JAQ	1.2	(125)	18.8	9.7	14.7	"	"	2180	3	*
" 2W155JAQ	1.5	(155)	"	10.7	15.8	"	"	2566	"	*
" 2W185JAQ	1.8	(185)	"	11.6	16.7	"	"	2945	"	*
" 2W225JAQ	2.2	(225)	"	12.8	17.9	"	"	3444	"	*
" 2W275JAQ	2.7	(275)	26.3	10.6	16.5	22.5	"	3815	"	*
" 2W335JAQ	3.3	(335)	"	11.7	17.5	"	"	4426	"	*
" 2W395JAQ	3.9	(395)	"	12.6	18.4	"	"	5027	"	*
" 2W475JAQ	4.7	(475)	"	13.8	19.6	"	"	5815	"	*

Note

*The specimen (the volume is more than 1750mm³) shall be satisfied with IEC60384-1 Inflammability Category B based on IEC60065, 1998~



CONSTRUCTION

The capacitor is of non-inductive construction, wound with metallized polypropylene film dielectric.
The capacitor is enclosed in non-combustible epoxy resin and has two leads.

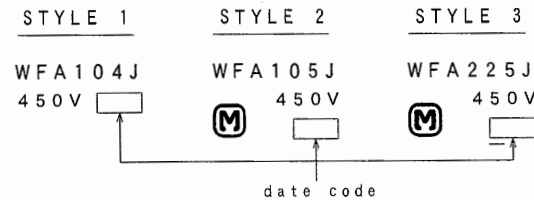
MARKING

Marking comprises capacitance, capacitance tolerance, rated voltage, manufacturer's trademark (STYLE 2, 3) and date code.

PROPERTIES

- *Capacitance : See table at 1kHz.
- *Capacitance tolerance : ±5% (J) at 1kHz.
- *Rated voltage : 450VDC
(Derating of rated voltage by 1.25%/°C at more than 85°C)
- *Withstand voltage (terminal-terminal) : 450VDCX150% for 60s
- *Insulation resistance : ≥30000MΩ (C≤0.33μF) at 100VDC, 20°C for 60s
: ≥10000MΩ·μF (C>0.33μF) at 100VDC, 20°C for 60s
- *Dissipation factor : ≤0.1% at 1kHz, 20°C
- *Category temperature range : From -40°C to +105°C
(including temperature rise on unit surface)

MARKING EXAMPLE



Reference

DESIGN	<i>M. Ikeda</i>	
CHECKED	<i>N. Kasega</i>	
APPROVAL	<i>K. Fukumoto</i>	
ESTABLISHMENT	May. 8, 2008	
TYPE NAME	ECWF2W***JAQ	
NAME	Metallized Polypropylene Film Capacitor	
DRAWING NAME	PRODUCT DRAWING	
DRAWING No.	8003J-J-E (1/1)	

Film Capacitor Division
Capacitor Business Division
Panasonic Corporation

DO NOT SCALE DRAWING

REVISIONS INDICATED BY Δ

ALL DIMENSIONS ARE IN MILLIMETERS

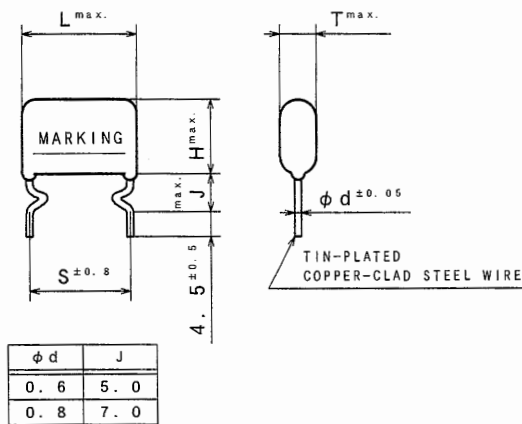
ALTERATION		
ISSUE	DESCRIPTION	DATE
△	Company name changed	Apr. 1, 2012
△	Company name changed	Apr. 1, 2013
SPECIFICATIONS No.		

THIRD ANGLE PROJECTION

ITEM CODE	CAP. μF (*)	DIMENSIONS						VOLUME (mm ³)	MARKING STYLE	Note
		L	T	H	S	d				
ECWF2W104KAQ	0.1 (104)	13.0	5.1	9.3	10.0	0.6	503	1		
" 2W124KAQ	0.12 (124)	"	5.4	9.5	"	"	541	"		
" 2W154KAQ	0.15 (154)	"	5.7	9.9	"	"	597	"		
" 2W184KAQ	0.18 (184)	"	6.1	10.2	"	"	652	"		
" 2W224KAQ	0.22 (224)	"	6.5	10.6	"	"	720	"		
" 2W274KAQ	0.27 (274)	"	7.0	11.1	"	"	808	"		
" 2W334KAQ	0.33 (334)	"	7.6	11.7	"	"	911	"		
" 2W394KAQ	0.39 (394)	"	8.1	12.2	"	"	1014	"		
" 2W474KAQ	0.47 (474)	"	8.7	12.9	"	"	1148	"		
" 2W564KAQ	0.56 (564)	18.1	7.0	11.5	15.0	0.8	1204	2		
" 2W684KAQ	0.68 (684)	"	7.5	12.1	"	"	1359	"		
" 2W824KAQ	0.82 (824)	"	8.2	12.7	"	"	1536	"		
" 2W105KAQ	1.0 (105)	"	9.3	12.6	"	"	1696	"		
" 2W125KAQ	1.2 (125)	18.8	9.7	14.7	"	"	2180	3	*	
" 2W155KAQ	1.5 (155)	"	10.7	15.8	"	"	2566	"	*	
" 2W185KAQ	1.8 (185)	"	11.6	16.7	"	"	2945	"	*	
" 2W225KAQ	2.2 (225)	"	12.8	17.9	"	"	3444	"	*	
" 2W275KAQ	2.7 (275)	26.3	10.6	16.5	22.5	"	3815	"	*	
" 2W335KAQ	3.3 (335)	"	11.7	17.5	"	"	4426	"	*	
" 2W395KAQ	3.9 (395)	"	12.6	18.4	"	"	5027	"	*	
" 2W475KAQ	4.7 (475)	"	13.8	19.6	"	"	5815	"	*	

Note

*The specimen (the volume is more than 1750mm³) shall be satisfied with IEC60384-1 Inflammability Category B based on IEC60065, 1998~



ALTERATION		
ISSUE	DESCRIPTION	DATE
△	Company name changed	Apr. 1 2012
△	Company name changed	Apr. 1 2013
SPECIFICATIONS No.		

CONSTRUCTION

The capacitor is of non-inductive construction, wound with metallized polypropylene film dielectric.
The capacitor is enclosed in non-combustible epoxy resin and has two leads.

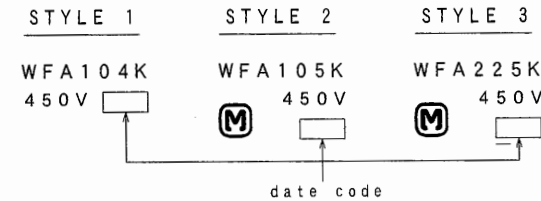
MARKING

Marking comprises capacitance, capacitance tolerance, rated voltage, manufacturer's trademark (STYLE 2,3) and date code.

PROPERTIES

- *Capacitance : See table at 1kHz.
- *Capacitance tolerance : ±10% (K) at 1kHz.
- *Rated voltage : 450VDC
(Derating of rated voltage by 1.25%/°C at more than 85°C)
- *Withstand voltage (terminal-terminal) : 450VDC×150% for 60s
- *Insulation resistance : ≥30000MΩ (C≤0.33μF) at 100VDC, 20°C for 60s
: ≥100000MΩ·μF (C>0.33μF) at 100VDC, 20°C for 60s
- *Dissipation factor : ≤0.1% at 1kHz, 20°C
- *Category temperature range : From -40°C to +105°C
(including temperature rise on unit surface)

MARKING EXAMPLE



Reference

DESIGN	<i>M. Melkida</i>
CHECKED	<i>N. Koyama</i>
APPROVAL	<i>K. Takemoto</i>
ESTABLISHMENT	May. 8. 2008
TYPE NAME	ECWF2W***KAQ
NAME	Metallized Polypropylene Film Capacitor
DRAWING NAME	PRODUCT DRAWING
DRAWING No.	8004J-J-E (1/1)

Film Capacitor Division
Capacitor Business Division
Panasonic Corporation