



Conductive Polymer Hybrid Aluminum Electrolytic Capacitor

Technical Data ZA series



Capacitor Business Division
Automotive & Industrial Systems Company, Panasonic Co., Ltd.

Technical Data

Conductive Polymer Hybrid Aluminum Electrolytic Capacitor

V type ZA series



EEHZA1E330R	25V33 μ F	ϕ 5x5.8	... ZA-2
EEHZA1E560P	25V56 μ F	ϕ 6.3x5.8	... ZA-3
EEHZA1E101XP	25V100 μ F	ϕ 6.3x7.7	... ZA-4
EEHZA1E221P	25V220 μ F	ϕ 8x10.2	... ZA-5
EEHZA1E331P	25V330 μ F	ϕ 10x10.2	... ZA-6
EEHZA1V220R	35V22 μ F	ϕ 5x5.8	... ZA-7
EEHZA1V270P	35V27 μ F	ϕ 6.3x5.8	... ZA-8
EEHZA1V470P	35V47 μ F	ϕ 6.3x5.8	... ZA-9
EEHZA1V680XP	35V68 μ F	ϕ 6.3x7.7	... ZA-10
EEHZA1V151P	35V150 μ F	ϕ 8x10.2	... ZA-11
EEHZA1V271P	35V270 μ F	ϕ 10x10.2	... ZA-12
EEHZA1H100R	50V10 μ F	ϕ 5x5.8	... ZA-13
EEHZA1H220P	50V22 μ F	ϕ 6.3x5.8	... ZA-14
EEHZA1H330XP	50V33 μ F	ϕ 6.3x7.7	... ZA-15
EEHZA1H680P	50V68 μ F	ϕ 8x10.2	... ZA-16
EEHZA1H101P	50V100 μ F	ϕ 10x10.2	... ZA-17
EEHZA1J100P	63V10 μ F	ϕ 6.3x5.8	... ZA-18
EEHZA1J220XP	63V22 μ F	ϕ 6.3x7.7	... ZA-19
EEHZA1J330P	63V33 μ F	ϕ 8x10.2	... ZA-20
EEHZA1J560P	63V56 μ F	ϕ 10x10.2	... ZA-21
EEHZA1K220P	80V22 μ F	ϕ 8x10.2	... ZA-22
EEHZA1K330P	80V33 μ F	ϕ 10x10.2	... ZA-23

Technical Data

Conductive Polymer Hybrid Aluminum Electrolytic Capacitor

V type ZA series

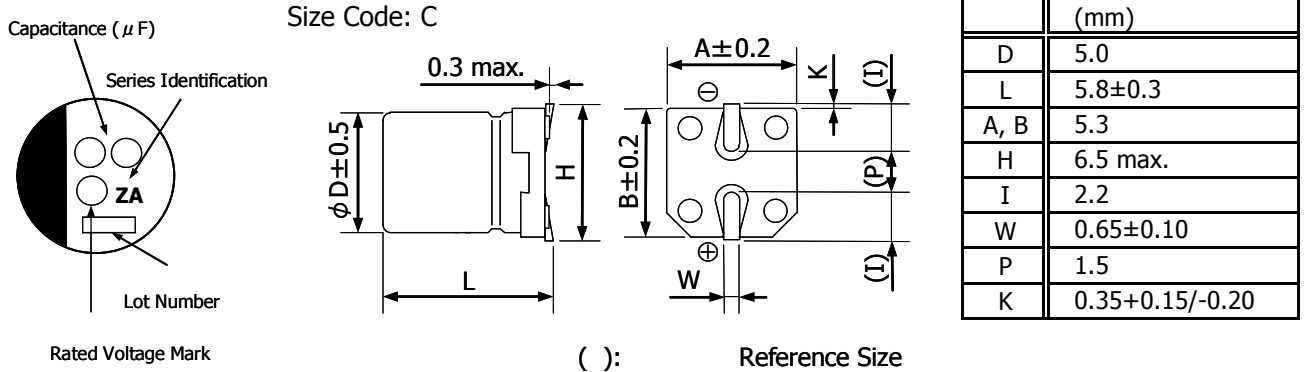
Part Number: **EEHZA1E330R**

$\phi 5.0 \times 5.8$ mm / 25 V / 33 μ F / 105 °C, 10000 h

Category Temperature Range	-55 to 105 °C
Rated W.V. Range	DC 25 V
Nominal Capacitance Range	33 μ F (at 120 Hz)
Capacitance Tolerance	± 20 %

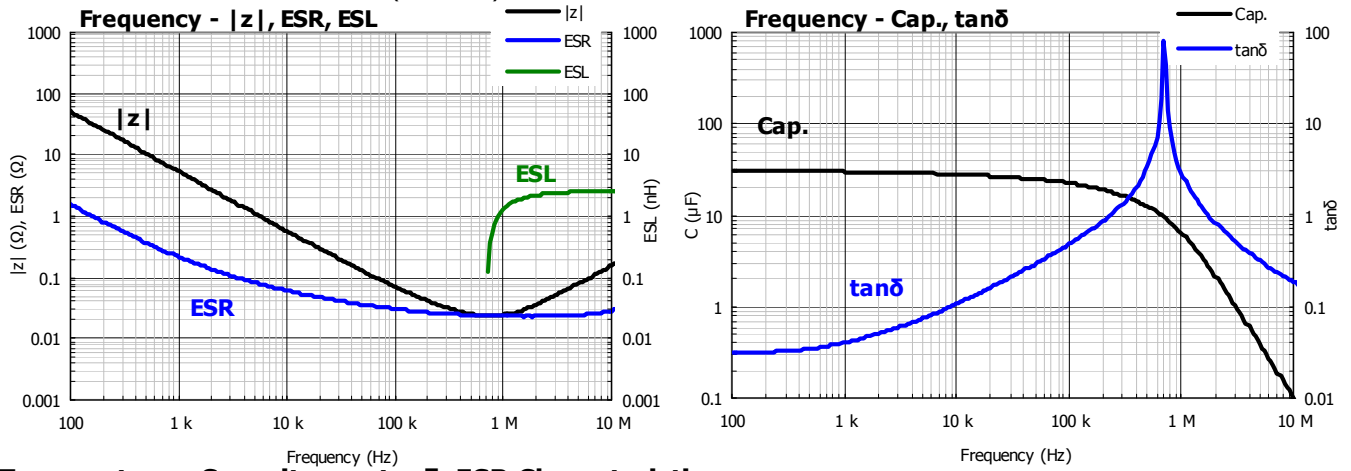
$\tan \delta$	0.14 max. (at 120 Hz)
DC Leakage Current	8.2 μ A (0.01CV) max. (at W.V., After 2 min)
ESR	80 m Ω max. (at 100 kHz)
Ripple Current	900 mArms max. (at 100 kHz, 105 °C)
Endurance	105 °C, 10000 h

Marking, Dimensions in mm (not to scale)



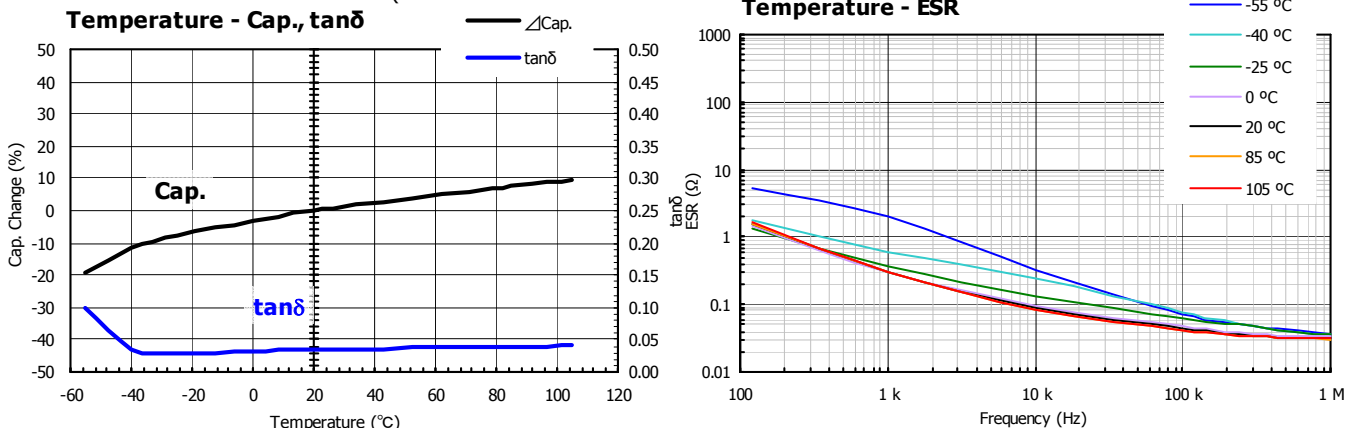
Frequency - |z|, ESR, ESL, Capacitance, $\tan \delta$ Characteristics

Osc. Level: 0.5 Vrms (at no load)



Temperature - Capacitance, $\tan \delta$, ESR Characteristics

Osc. Level: 1.0 Vrms (at no load)



Typical Curve

Technical Data

Conductive Polymer Hybrid Aluminum Electrolytic Capacitor

ZA series

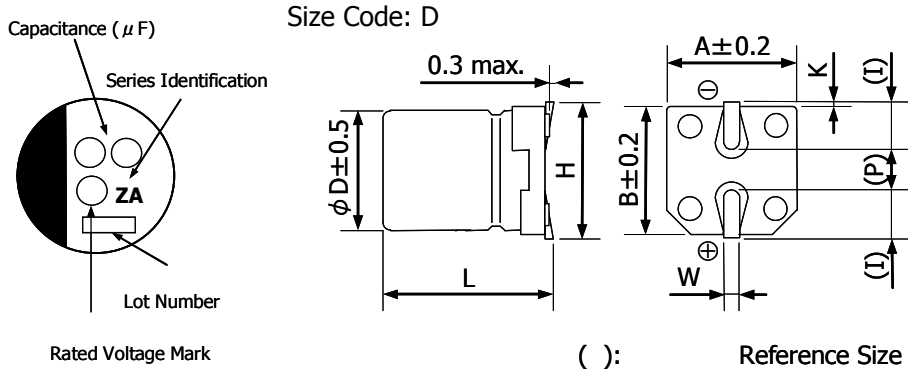
Part Number: **EEHZA1E560P**

$\phi 6.3 \times 5.8$ mm / 25 V / 56 μ F / 105 °C, 10000 h

Category Temperature Range	-55 to 105 °C
Rated W.V. Range	DC 25 V
Nominal Capacitance Range	56 μ F (at 120 Hz)
Capacitance Tolerance	± 20 %

$\tan \delta$	0.14 max. (at 120 Hz)
DC Leakage Current	14 μ A (0.01CV) max. (at W.V., After 2 min)
ESR	50 m Ω max. (at 100 kHz)
Ripple Current	1300 mArms max. (at 100 kHz, 105 °C)
Endurance	105 °C, 10000 h

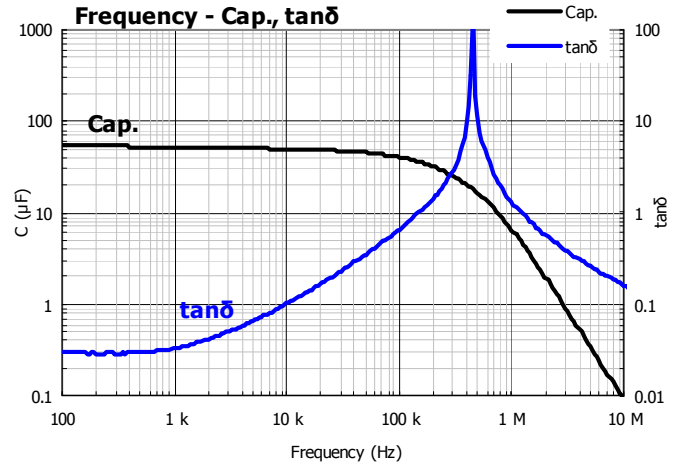
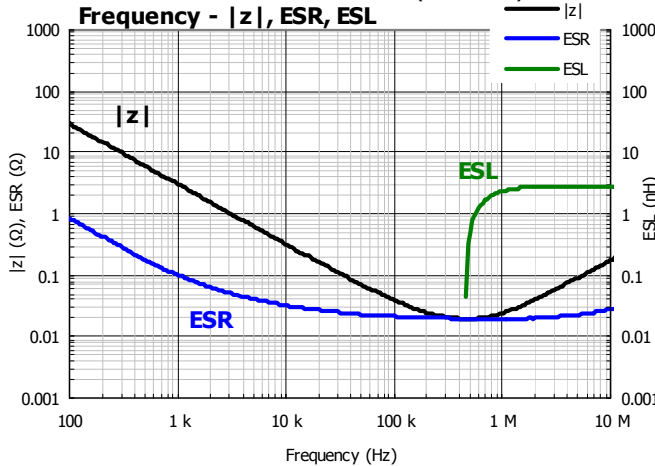
Marking, Dimensions in mm (not to scale)



	(mm)
D	6.3
L	5.8 \pm 0.3
A, B	6.6
H	7.8 max.
I	2.6
W	0.65 \pm 0.10
P	1.8
K	0.35 \pm 0.15/-0.20

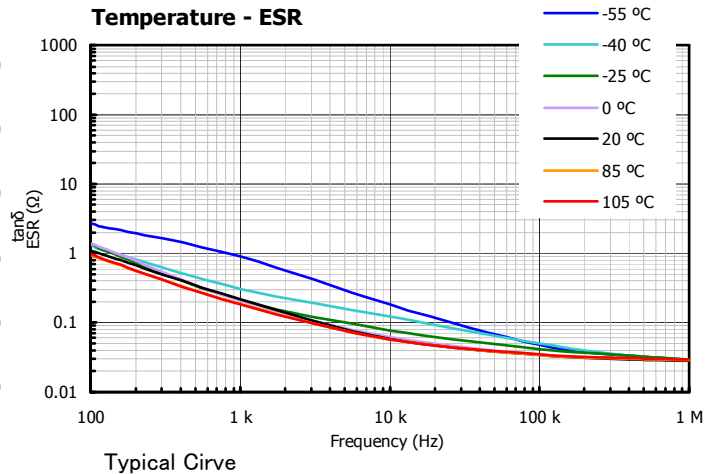
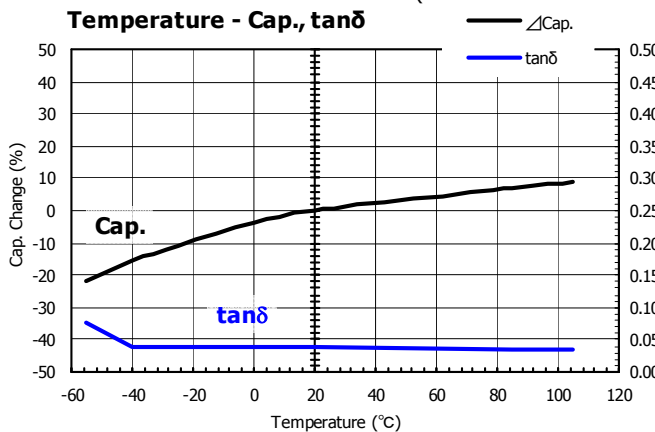
Frequency - $|z|$, ESR, ESL, Capacitance, $\tan \delta$ Characteristics

Osc. Level: 0.5 Vrms (at no load)



Temperature - Capacitance, $\tan \delta$, ESR Characteristics

Osc. Level: 1.0 Vrms (at no load)



Technical Data

Conductive Polymer Hybrid Aluminum Electrolytic Capacitor

V type ZA series

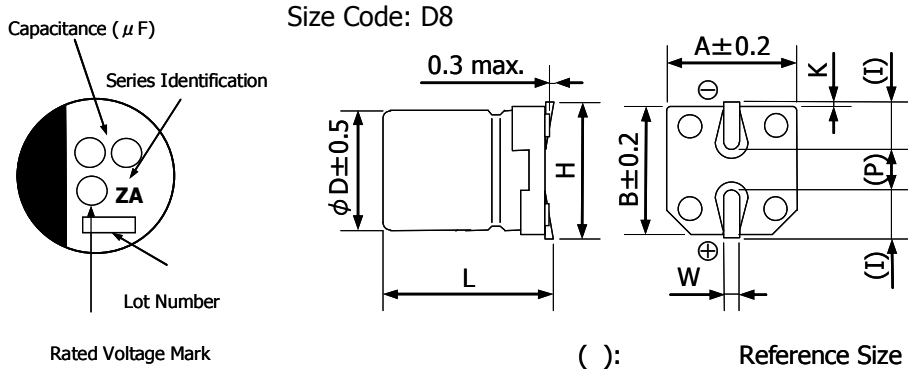
Part Number: **EEHZA1E101XP**

$\phi 6.3 \times 7.7$ mm / 25 V / 100 μ F / 105 °C, 10000 h

Category Temperature Range	-55 to 105 °C
Rated W.V. Range	DC 25 V
Nominal Capacitance Range	100 μ F (at 120 Hz)
Capacitance Tolerance	± 20 %

$\tan \delta$	0.14 max. (at 120 Hz)
DC Leakage Current	25.0 μ A (0.01CV) max. (at W.V., After 2 min)
ESR	30 m Ω max. (at 100 kHz)
Ripple Current	2000 mArms max. (at 100 kHz, 105 °C)
Endurance	105 °C, 10000 h

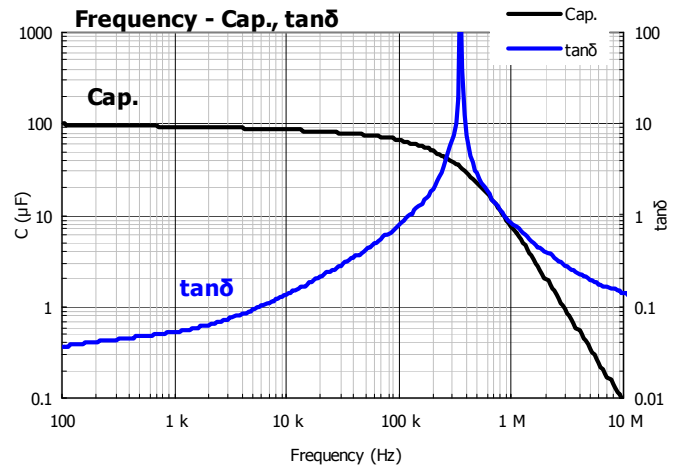
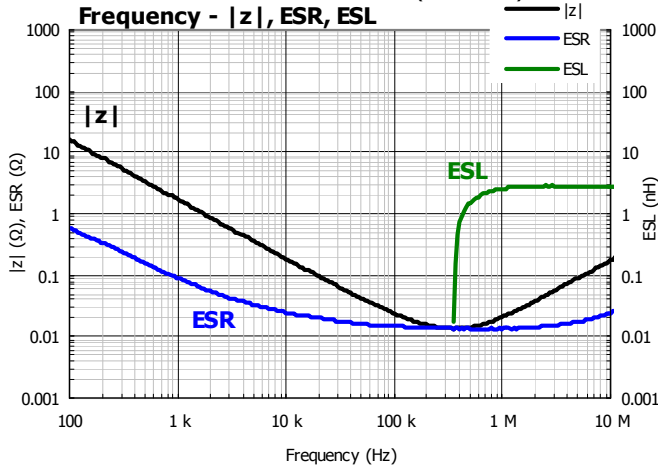
Marking, Dimensions in mm (not to scale)



	(mm)
D	6.3
L	7.7 \pm 0.3
A, B	6.6
H	7.8 max.
I	2.6
W	0.65 \pm 0.10
P	1.8
K	0.35 \pm 0.15/-0.20

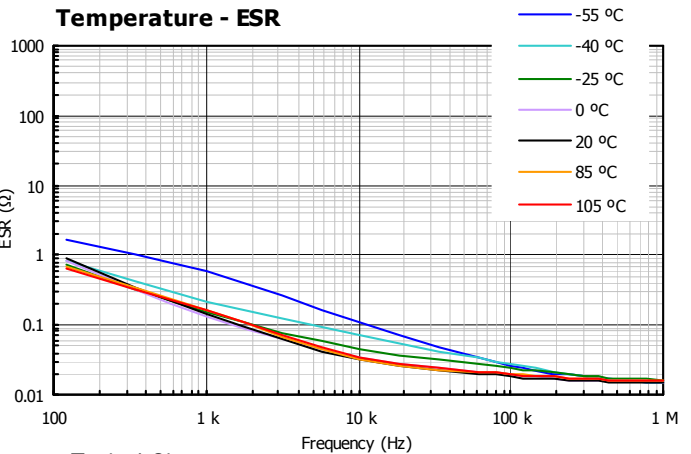
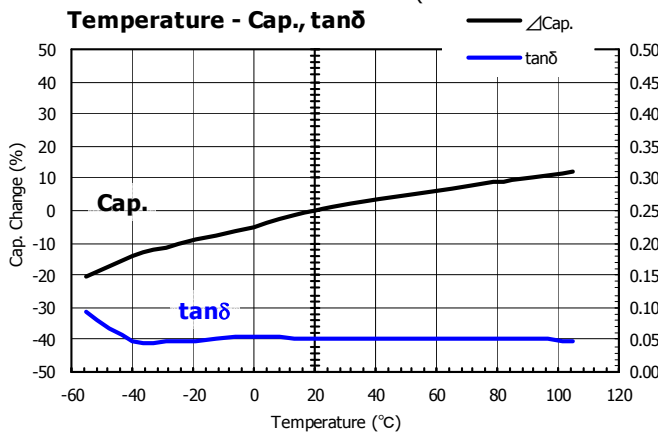
Frequency - $|z|$, ESR, ESL, Capacitance, $\tan \delta$ Characteristics

Osc. Level: 0.5 Vrms (at no load)



Temperature - Capacitance, $\tan \delta$, ESR Characteristics

Osc. Level: 1.0 Vrms (at no load)



Typical Curve

Technical Data

Conductive Polymer Hybrid Aluminum Electrolytic Capacitor

V type ZA series

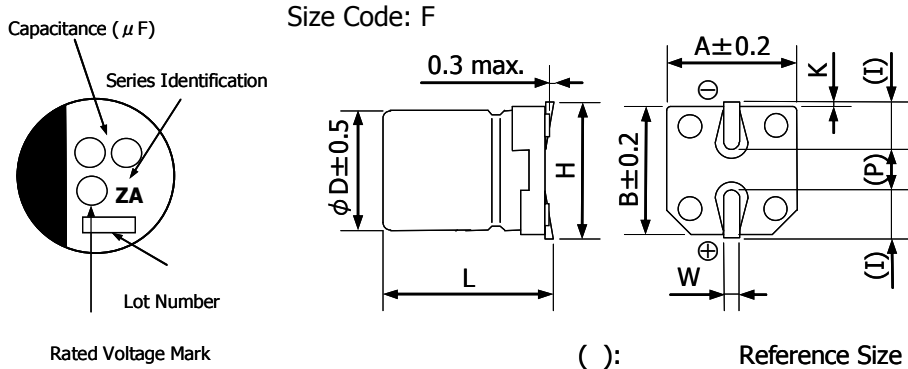
Part Number: **EEHZA1E221P**

$\phi 8.0 \times 10.2$ mm / 25 V / 220 μ F / 105 °C, 10000 h

Category Temperature Range	-55 to 105 °C
Rated W.V. Range	DC 25 V
Nominal Capacitance Range	220 μ F (at 120 Hz)
Capacitance Tolerance	± 20 %

$\tan\delta$	0.14 max. (at 120 Hz)
DC Leakage Current	55.0 μ A (0.01CV) max. (at W.V., After 2 min)
ESR	27 m Ω max. (at 100 kHz)
Ripple Current	2300 mArms max. (at 100 kHz, 105 °C)
Endurance	105 °C, 10000 h

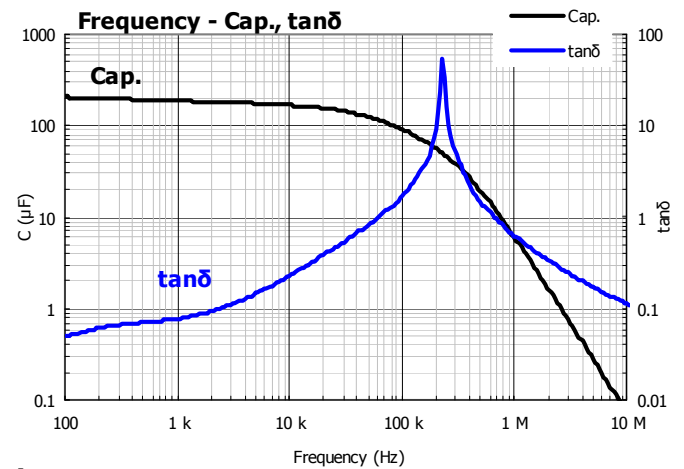
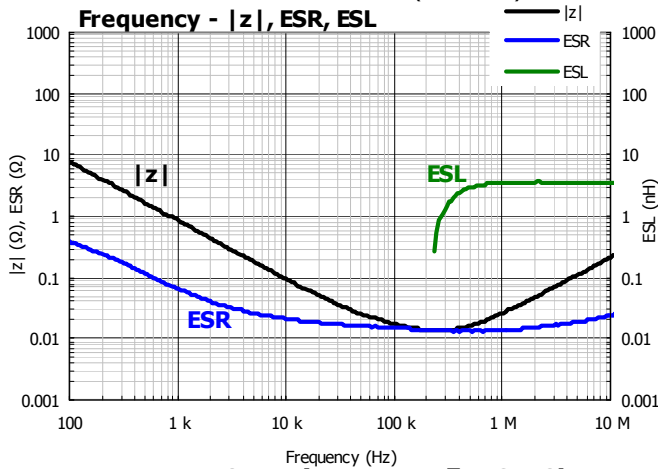
Marking, Dimensions in mm (not to scale)



	(mm)
D	8.0
L	10.2 \pm 0.3
A, B	8.3
H	10.0 max.
I	3.4
W	0.9 \pm 0.2
P	3.1
K	0.7 \pm 0.2

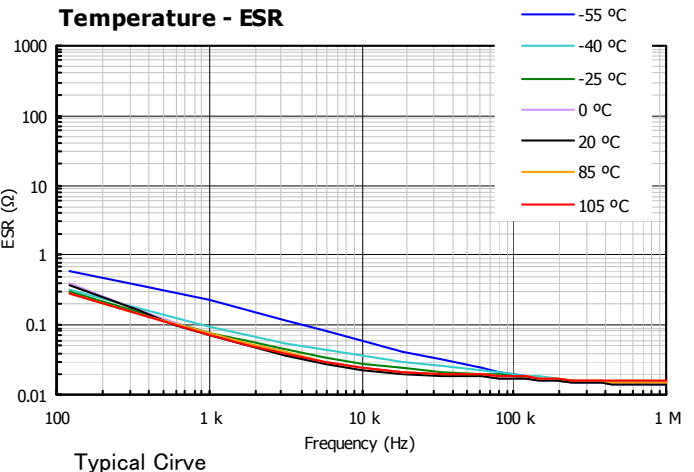
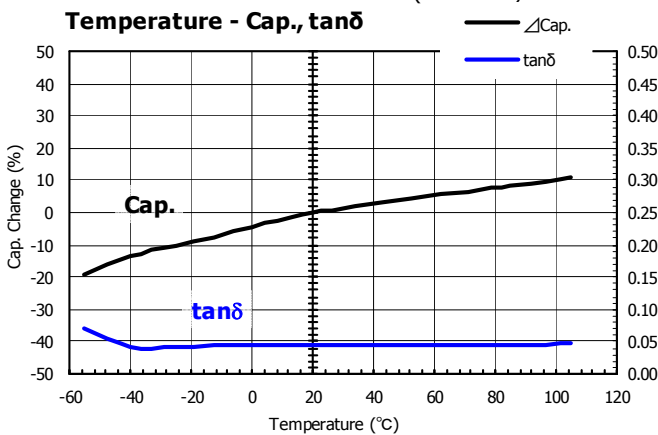
Frequency - $|z|$, ESR, ESL, Capacitance, $\tan\delta$ Characteristics

Osc. Level: 0.5 Vrms (at no load)



Temperature - Capacitance, $\tan\delta$, ESR Characteristics

Osc. Level: 1.0 Vrms (at no load)



Technical Data

Conductive Polymer Hybrid Aluminum Electrolytic Capacitor

V type ZA series

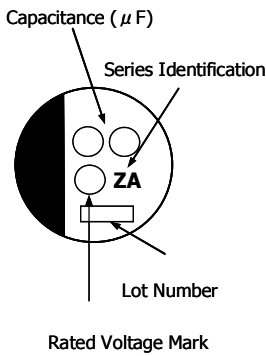
Part Number: **EEHZA1E331P**

ϕ 10.0×10.2 mm / 25 V / 330 μ F / 105 °C, 10000 h

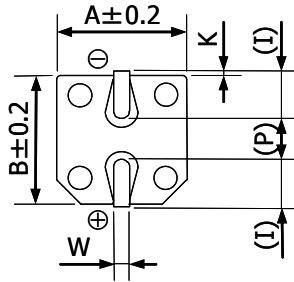
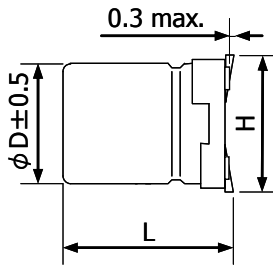
Category Temperature Range	-55 to 105 °C
Rated W.V. Range	DC 25 V
Nominal Capacitance Range	330 μ F (at 120 Hz)
Capacitance Tolerance	\pm 20 %

tan δ	0.14 max. (at 120 Hz)
DC Leakage Current	82.5 μ A (0.01CV) max. (at W.V., After 2 min)
ESR	20 m Ω max. (at 100 kHz)
Ripple Current	2500 mArms max. (at 100 kHz, 105 °C)
Endurance	105 °C, 10000 h

Marking, Dimensions in mm (not to scale)



Size Code: G

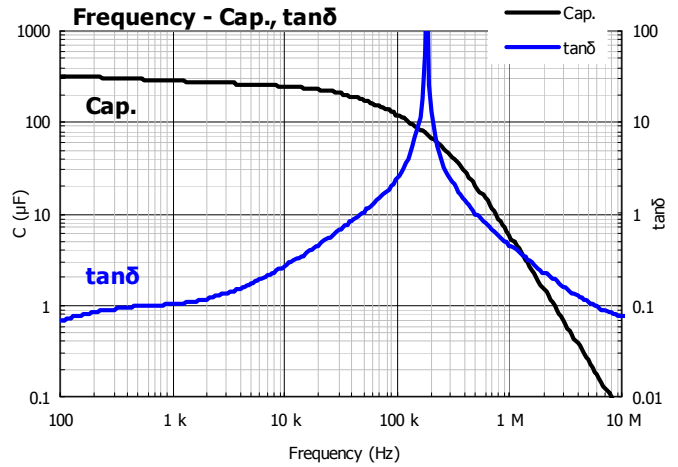
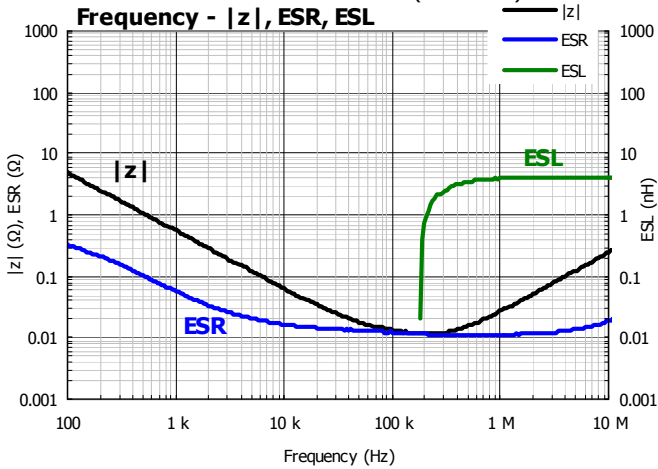


	(mm)
D	10.0
L	10.2±0.3
A, B	10.3
H	12.0 max.
I	3.5
W	0.9±0.2
P	4.6
K	0.7±0.2

(): Reference Size

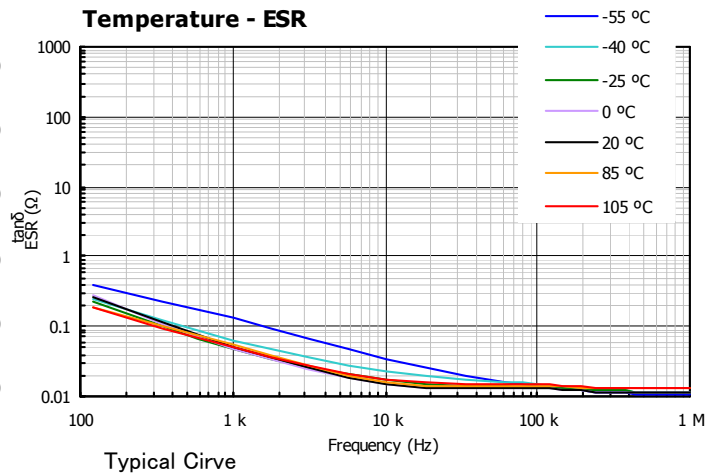
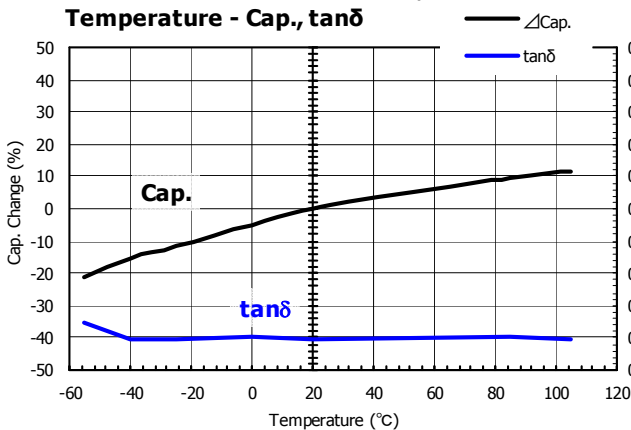
Frequency - |z|, ESR, ESL, Capacitance, tan δ Characteristics

Osc. Level: 0.5 Vrms (at no load)



Temperature - Capacitance, tan δ , ESR Characteristics

Osc. Level: 1.0 Vrms (at no load)



Typical Curve

Technical Data

Conductive Polymer Hybrid Aluminum Electrolytic Capacitor

V type ZA series

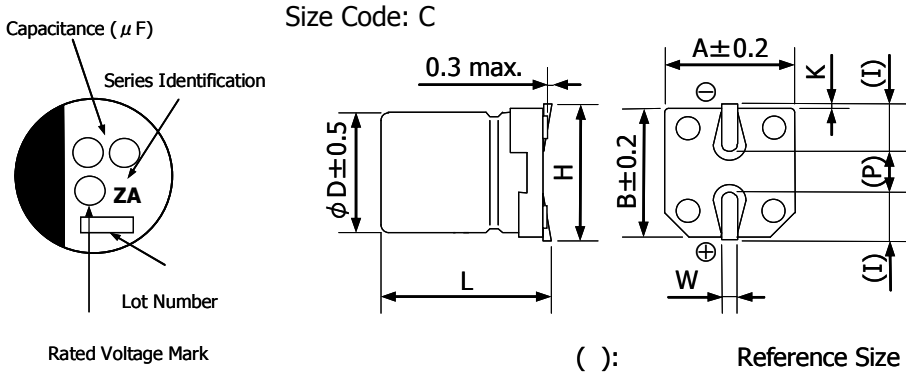
Part Number: **EEHZA1V220R**

φ5.0×5.8 mm / 35 V / 22 μF / 105 °C, 10000 h

Category Temperature Range	-55 to 105 °C
Rated W.V. Range	DC 35 V
Nominal Capacitance Range	22 μF (at 120 Hz)
Capacitance Tolerance	±20 %

tanδ	0.12 max. (at 120 Hz)
DC Leakage Current	7.7 μA (0.01CV) max. (at W.V., After 2 min)
ESR	100 mΩ max. (at 100 kHz)
Ripple Current	900 mArms max. (at 100 kHz, 105 °C)
Endurance	105 °C, 10000 h

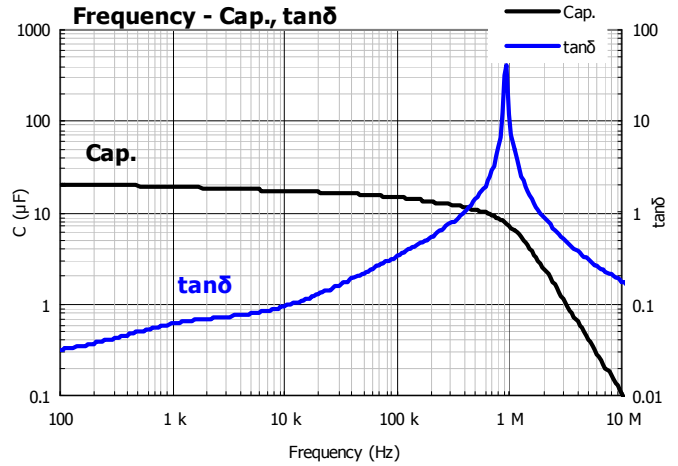
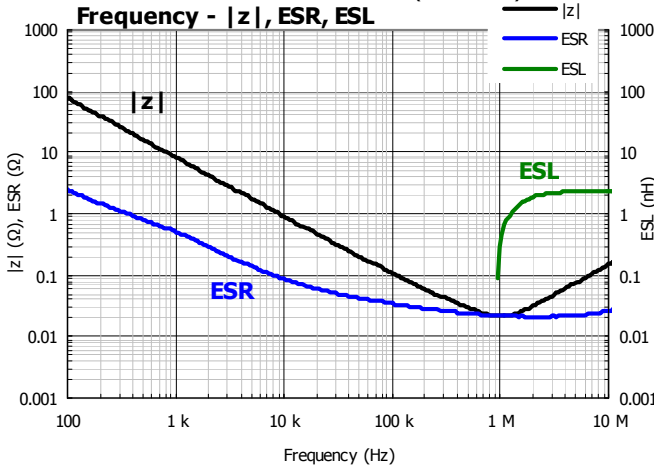
Marking, Dimensions in mm (not to scale)



	(mm)
D	5.0
L	5.8±0.3
A, B	5.3
H	6.5 max.
I	2.2
W	0.65±0.10
P	1.5
K	0.35+0.15/-0.20

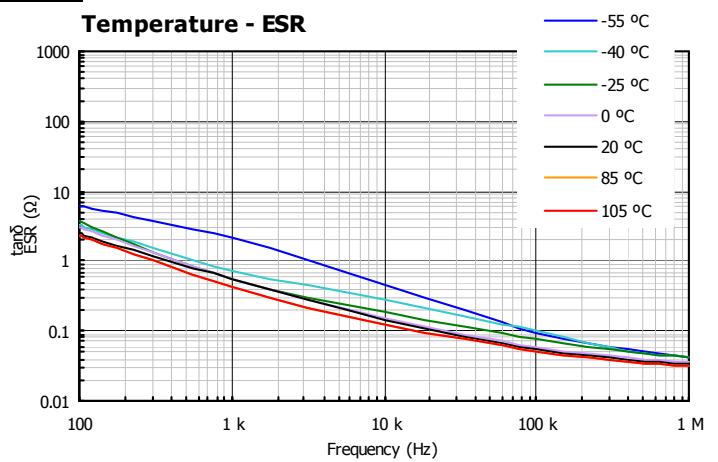
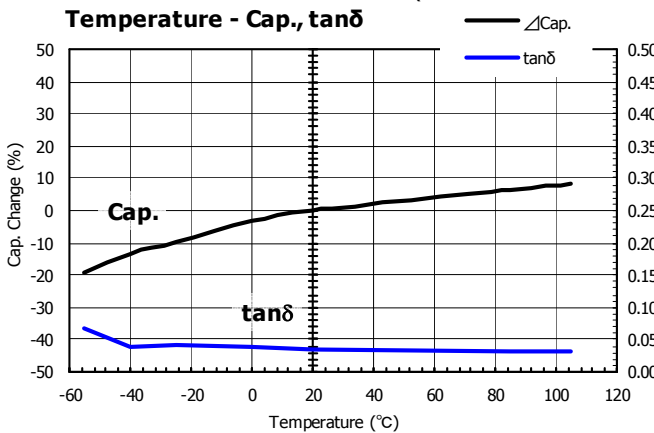
Frequency - |z|, ESR, ESL, Capacitance, tanδ Characteristics

Osc. Level: 0.5 Vrms (at no load)



Temperature - Capacitance, tanδ, ESR Characteristics

Osc. Level: 1.0 Vrms (at no load)



Typical Curve

Technical Data

Conductive Polymer Hybrid Aluminum Electrolytic Capacitor

V type ZA series

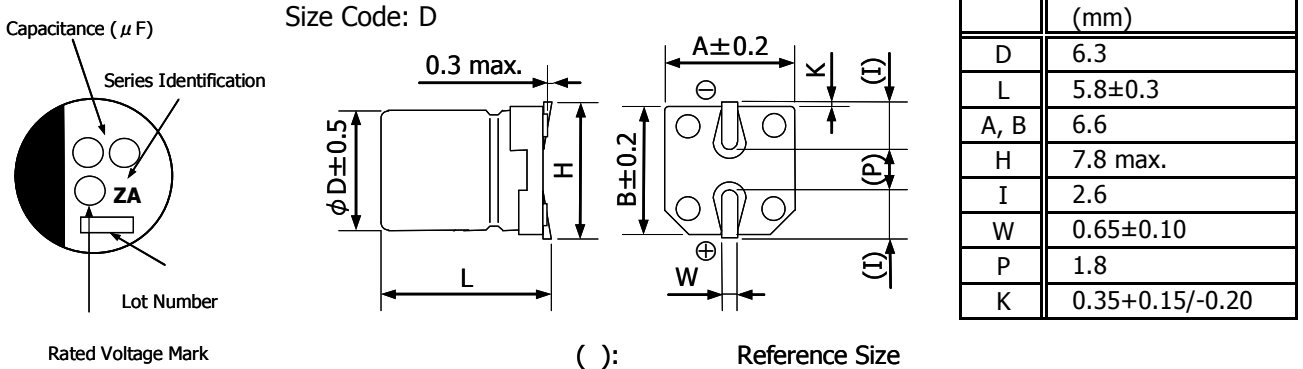
Part Number: **EEHZA1V270P**

$\phi 6.3 \times 5.8$ mm / 35 V / 27 μ F / 105 °C, 10000 h

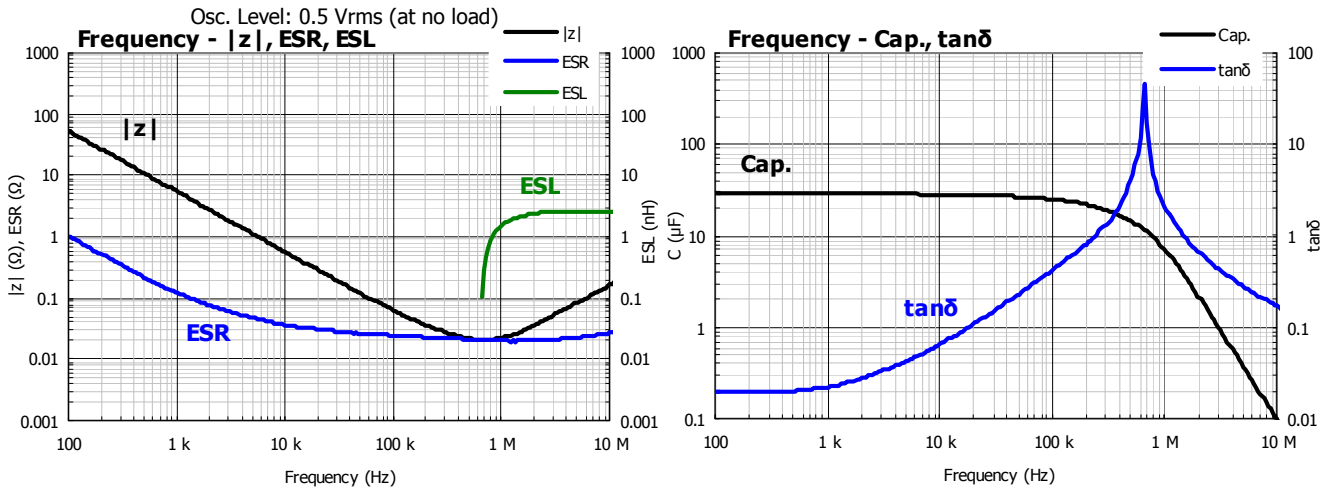
Category Temperature Range	-55 to 105 °C
Rated W.V. Range	DC 35 V
Nominal Capacitance Range	27 μ F (at 120 Hz)
Capacitance Tolerance	± 20 %

tan δ	0.12 max. (at 120 Hz)
DC Leakage Current	9.4 μ A (0.01CV) max. (at W.V., After 2 min)
ESR	60 m Ω max. (at 100 kHz)
Ripple Current	1300 mArms max. (at 100 kHz, 105 °C)
Endurance	105 °C, 10000 h

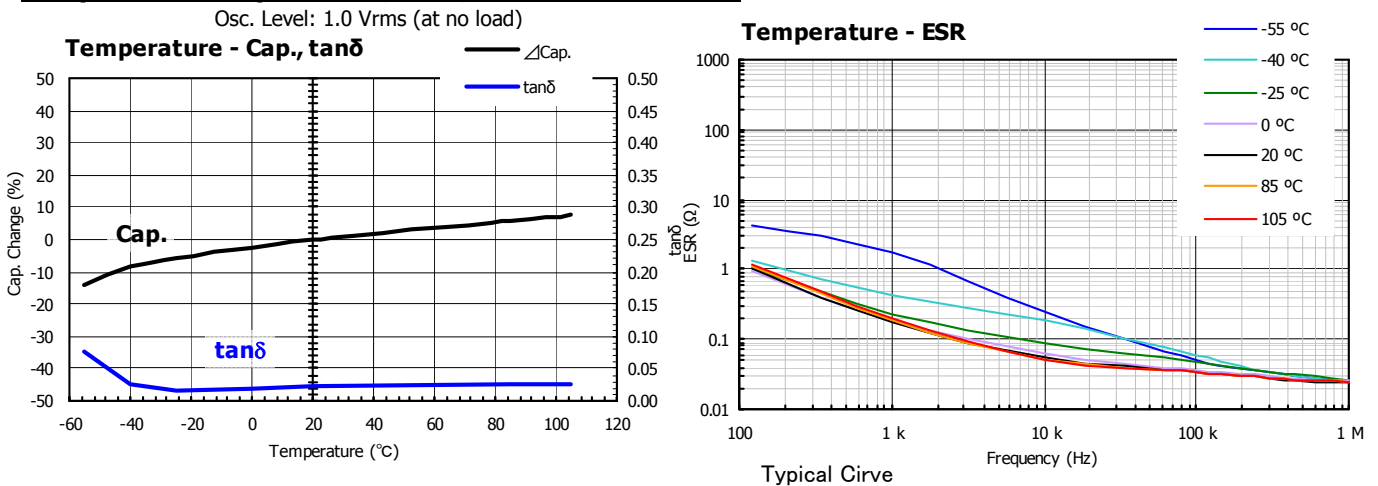
Marking, Dimensions in mm (not to scale)



Frequency - |z|, ESR, ESL, Capacitance, tan δ Characteristics



Temperature - Capacitance, tan δ , ESR Characteristics



Technical Data

Conductive Polymer Hybrid Aluminum Electrolytic Capacitor

V type ZA series

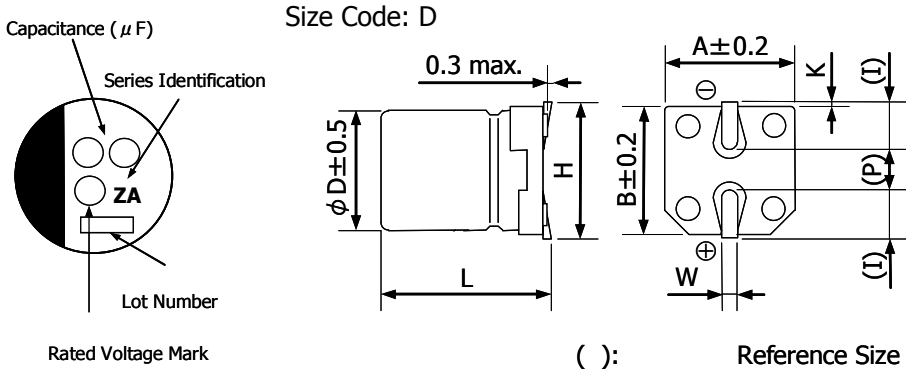
Part Number: **EEHZA1V470P**

$\phi 6.3 \times 5.8$ mm / 35 V / 47 μ F / 105 °C, 10000 h

Category Temperature Range	-55 to 105 °C
Rated W.V. Range	DC 35 V
Nominal Capacitance Range	47 μ F (at 120 Hz)
Capacitance Tolerance	± 20 %

$\tan \delta$	0.12 max. (at 120 Hz)
DC Leakage Current	16.4 μ A (0.01CV) max. (at W.V., After 2 min)
ESR	60 m Ω max. (at 100 kHz)
Ripple Current	1300 mArms max. (at 100 kHz, 105 °C)
Endurance	105 °C, 10000 h

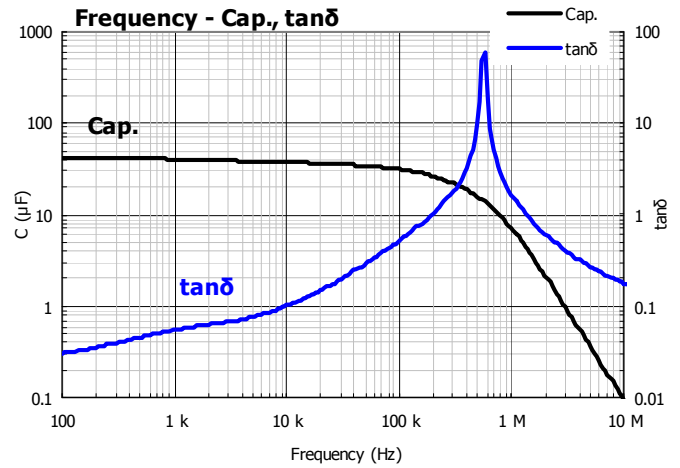
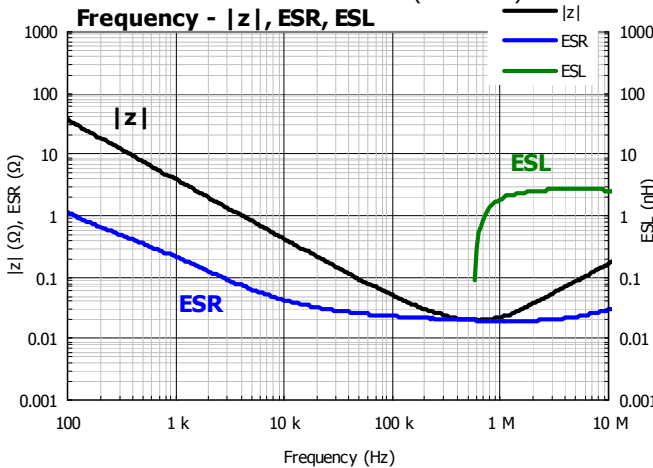
Marking, Dimensions in mm (not to scale)



	(mm)
D	6.3
L	5.8 ± 0.3
A, B	6.6
H	7.8 max.
I	2.6
W	0.65 ± 0.10
P	1.8
K	0.35 ± 0.15 / -0.20

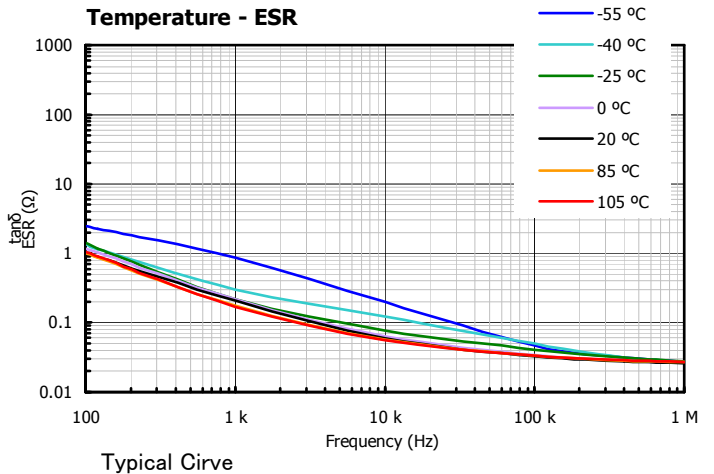
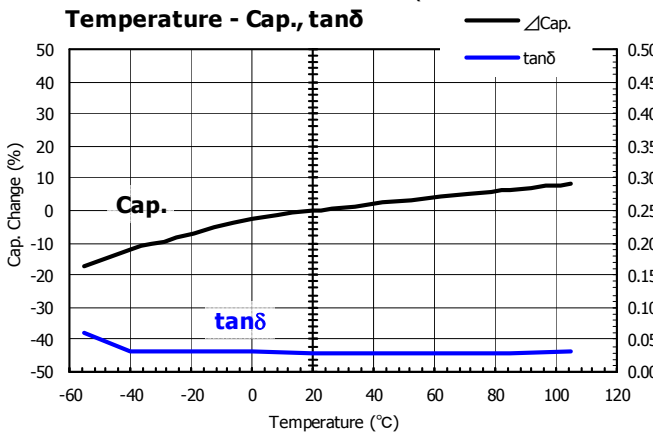
Frequency - |z|, ESR, ESL, Capacitance, $\tan \delta$ Characteristics

Osc. Level: 0.5 Vrms (at no load)



Temperature - Capacitance, $\tan \delta$, ESR Characteristics

Osc. Level: 1.0 Vrms (at no load)



Technical Data

Conductive Polymer Hybrid Aluminum Electrolytic Capacitor

V type ZA series

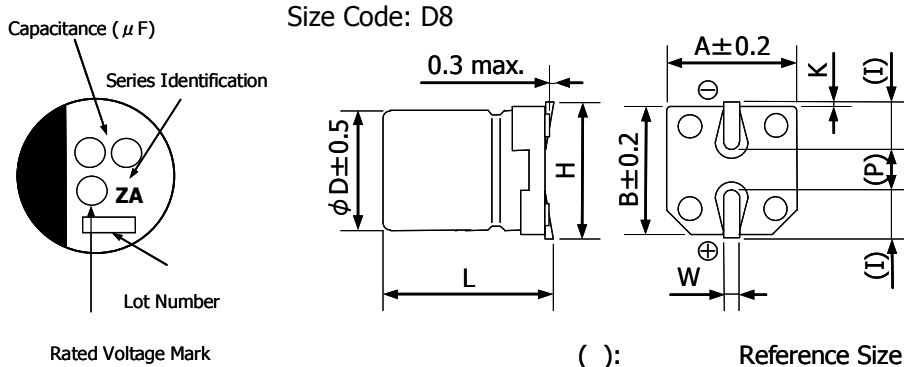
Part Number: **EEHZA1V680XP**

$\phi 6.3 \times 7.7$ mm / 35 V / 68 μ F / 105 °C, 10000 h

Category Temperature Range	-55 to 105 °C
Rated W.V. Range	DC 35 V
Nominal Capacitance Range	68 μ F (at 120 Hz)
Capacitance Tolerance	± 20 %

$\tan \delta$	0.12 max. (at 120 Hz)
DC Leakage Current	23.8 μ A (0.01CV) max. (at W.V., After 2 min)
ESR	35 m Ω max. (at 100 kHz)
Ripple Current	2000 mArms max. (at 100 kHz, 105 °C)
Endurance	105 °C, 10000 h

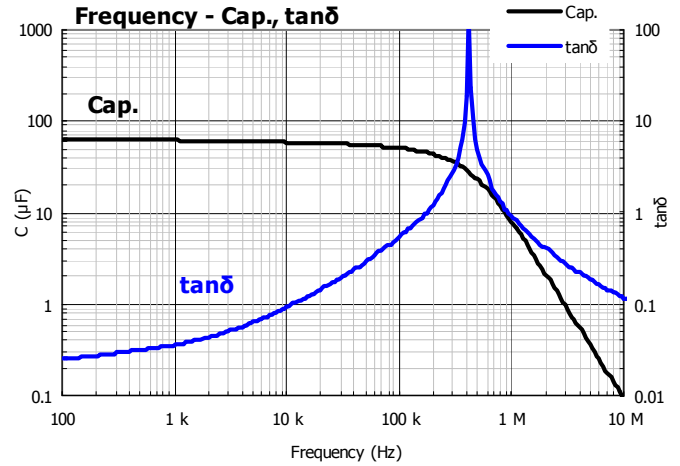
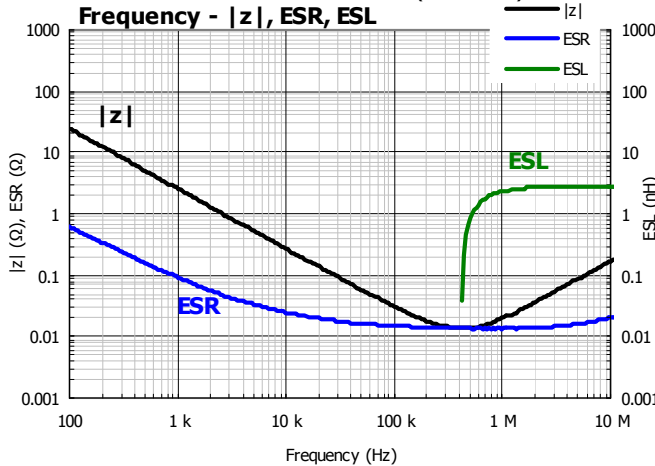
Marking, Dimensions in mm (not to scale)



	(mm)
D	6.3
L	7.7 ± 0.3
A, B	6.6
H	7.8 max.
I	2.6
W	0.65 ± 0.10
P	1.8
K	0.35 $+0.15/-0.20$

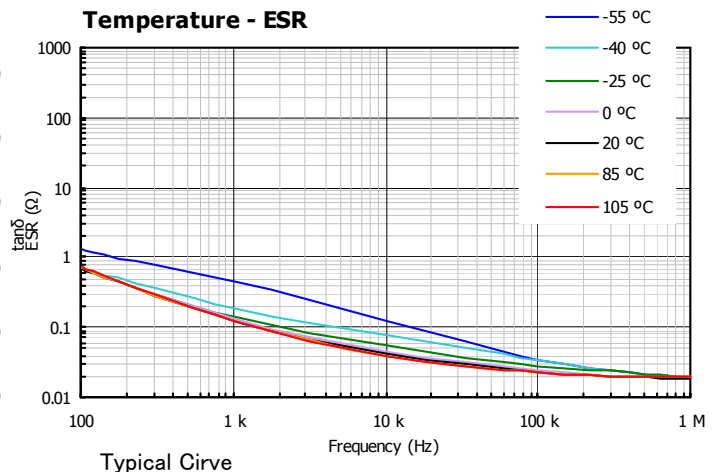
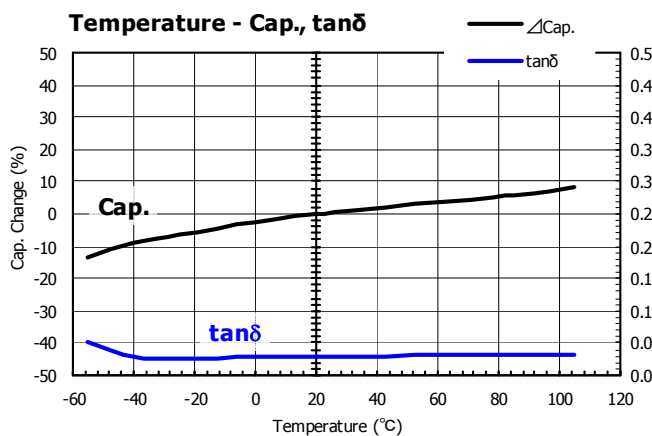
Frequency - |z|, ESR, ESL, Capacitance, $\tan \delta$ Characteristics

Osc. Level: 0.5 Vrms (at no load)



Temperature - Capacitance, $\tan \delta$, ESR Characteristics

Osc. Level: 1.0 Vrms (at no load)



Technical Data

Conductive Polymer Hybrid Aluminum Electrolytic Capacitor

V type ZA series

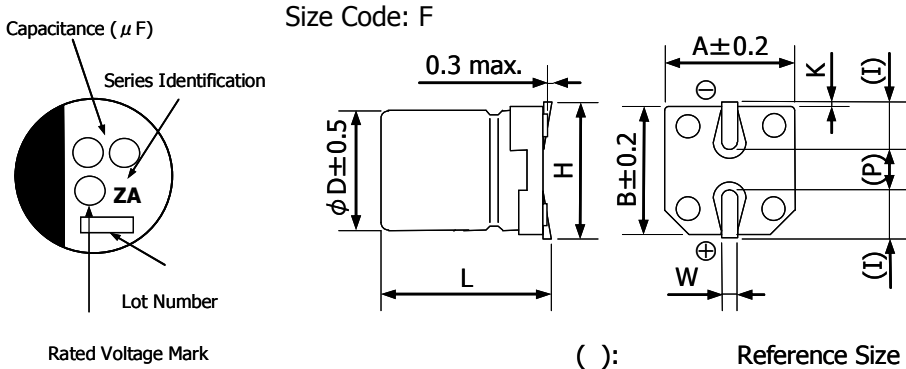
Part Number: **EEHZA1V151P**

$\phi 8.0 \times 10.2$ mm / 35 V / 150 μ F / 105 °C, 10000 h

Category Temperature Range	-55 to 105 °C
Rated W.V. Range	DC 35 V
Nominal Capacitance Range	150 μ F (at 120 Hz)
Capacitance Tolerance	± 20 %

$\tan \delta$	0.12 max. (at 120 Hz)
DC Leakage Current	52.5 μ A (0.01CV) max. (at W.V., After 2 min)
ESR	27 m Ω max. (at 100 kHz)
Ripple Current	2300 mArms max. (at 100 kHz, 105 °C)
Endurance	105 °C, 10000 h

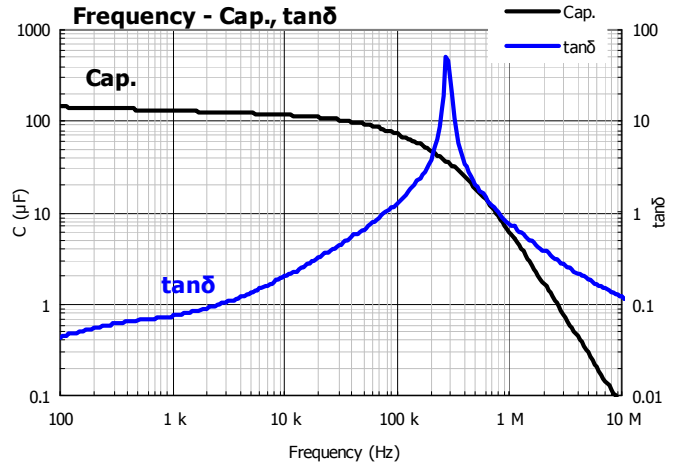
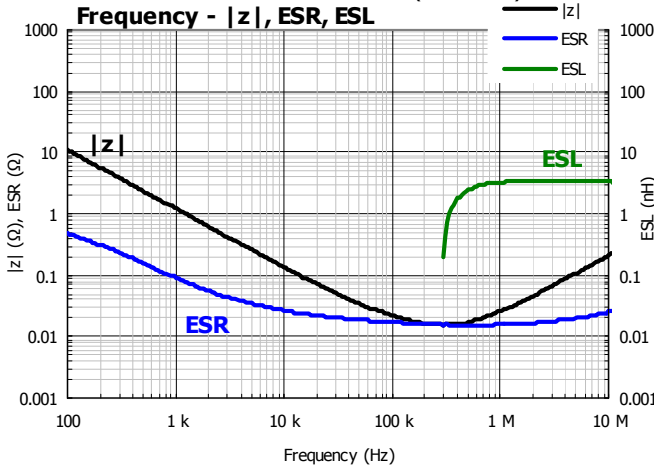
Marking, Dimensions in mm (not to scale)



	(mm)
D	8.0
L	10.2 \pm 0.3
A, B	8.3
H	10.0 max.
I	3.4
W	0.9 \pm 0.2
P	3.1
K	0.7 \pm 0.2

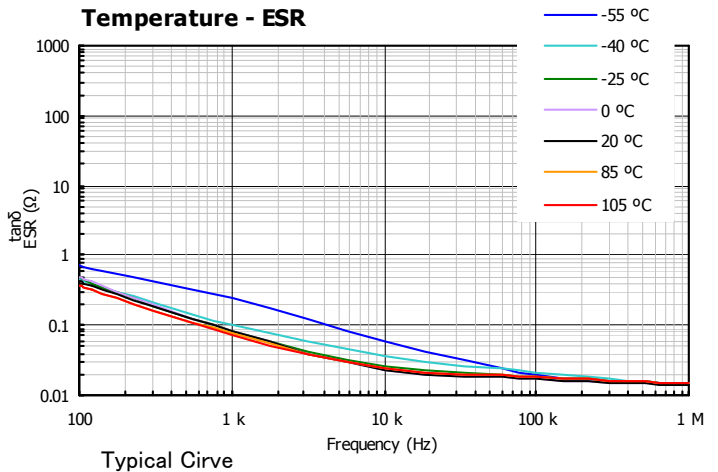
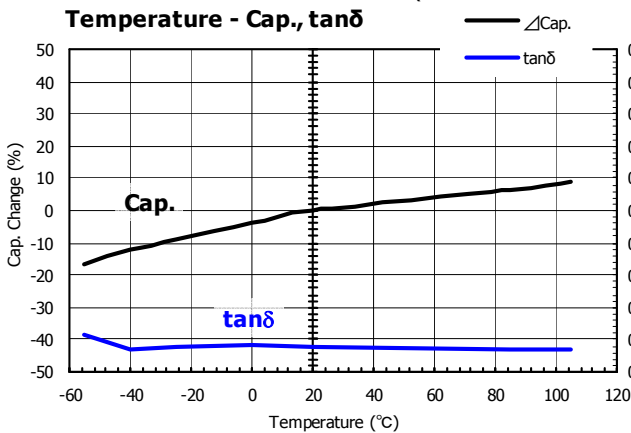
Frequency - $|z|$, ESR, ESL, Capacitance, $\tan \delta$ Characteristics

Osc. Level: 0.5 Vrms (at no load)



Temperature - Capacitance, $\tan \delta$, ESR Characteristics

Osc. Level: 1.0 Vrms (at no load)



Technical Data

Conductive Polymer Hybrid Aluminum Electrolytic Capacitor

V type ZA series

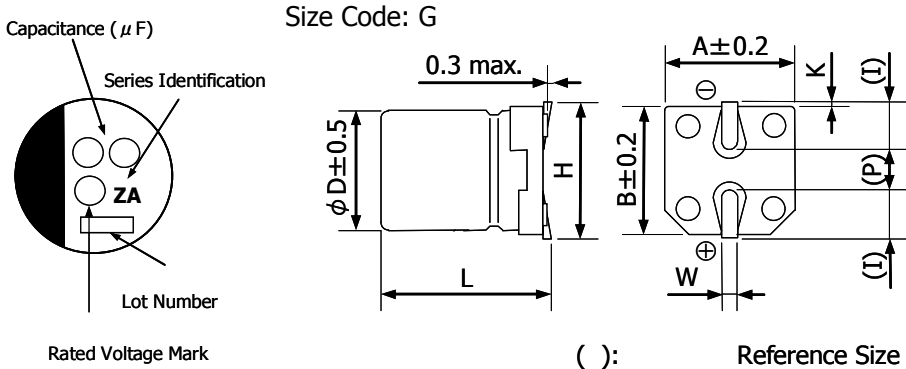
Part Number: **EEHZA1V271P**

$\phi 10.0 \times 10.2$ mm / 35 V / 270 μ F / 105 °C, 10000 h

Category Temperature Range	-55 to 105 °C
Rated W.V. Range	DC 35 V
Nominal Capacitance Range	270 μ F (at 120 Hz)
Capacitance Tolerance	± 20 %

$\tan \delta$	0.12 max. (at 120 Hz)
DC Leakage Current	94.5 μ A (0.01CV) max. (at W.V., After 2 min)
ESR	20 m Ω max. (at 100 kHz)
Ripple Current	2500 mArms max. (at 100 kHz, 105 °C)
Endurance	105 °C, 10000 h

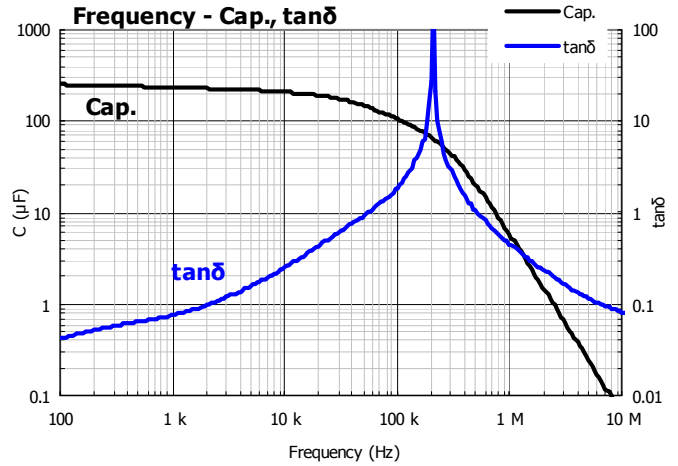
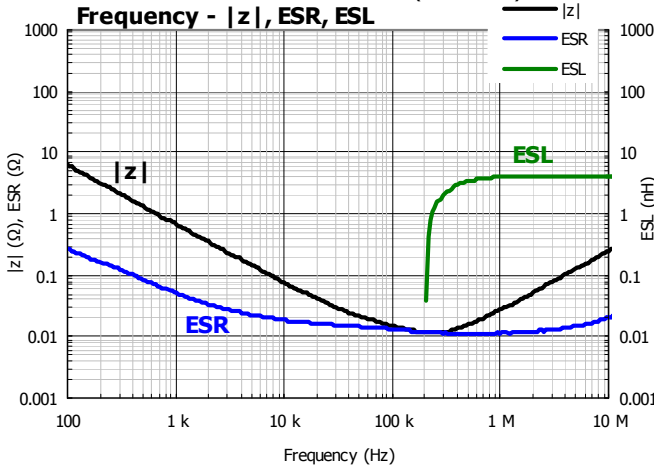
Marking, Dimensions in mm (not to scale)



	(mm)
D	10.0
L	10.2 \pm 0.3
A, B	10.3
H	12.0 max.
I	3.5
W	0.9 \pm 0.2
P	4.6
K	0.7 \pm 0.2

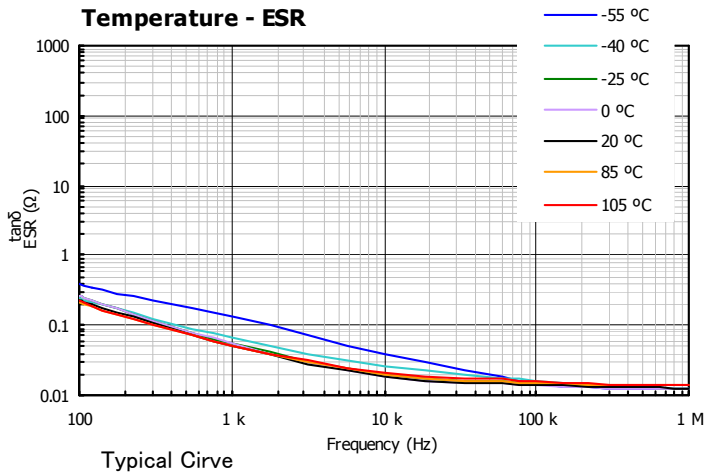
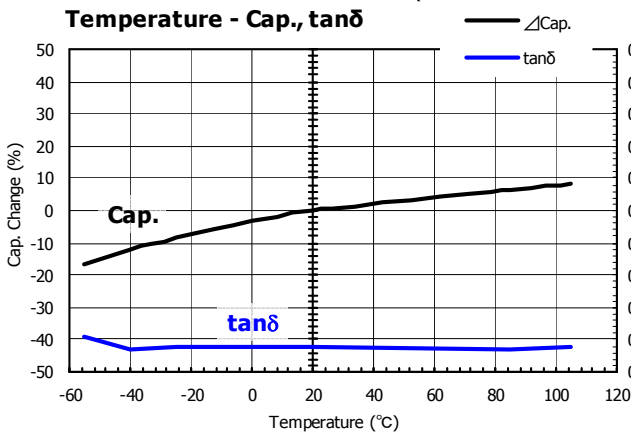
Frequency - $|z|$, ESR, ESL, Capacitance, $\tan \delta$ Characteristics

Osc. Level: 0.5 Vrms (at no load)



Temperature - Capacitance, $\tan \delta$, ESR Characteristics

Osc. Level: 1.0 Vrms (at no load)



Technical Data

Conductive Polymer Hybrid Aluminum Electrolytic Capacitor

V type ZA series

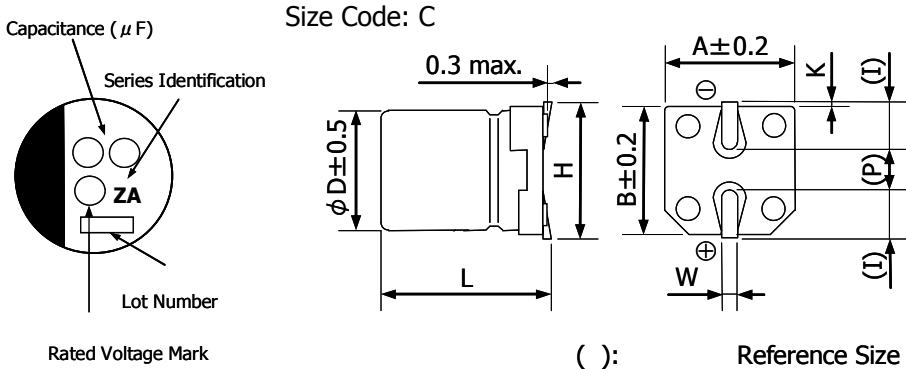
Part Number: **EEHZA1H100R**

φ5.0×5.8 mm / 50 V / 10 μF / 105 °C, 10000 h

Category Temperature Range	-55 to 105 °C
Rated W.V. Range	DC 50 V
Nominal Capacitance Range	10 μF (at 120 Hz)
Capacitance Tolerance	±20 %

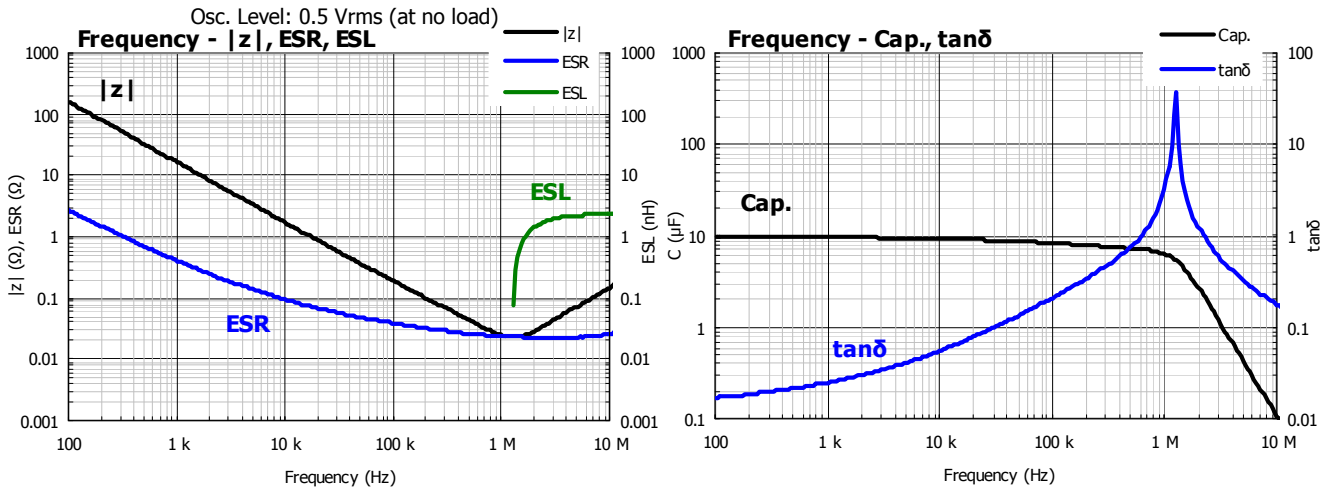
tanδ	0.1 max. (at 120 Hz)
DC Leakage Current	5 μA (0.01CV) max. (at W.V., After 2 min)
ESR	120 mΩ max. (at 100 kHz)
Ripple Current	750 mArms max. (at 100 kHz, 105 °C)
Endurance	105 °C, 10000 h

Marking, Dimensions in mm (not to scale)

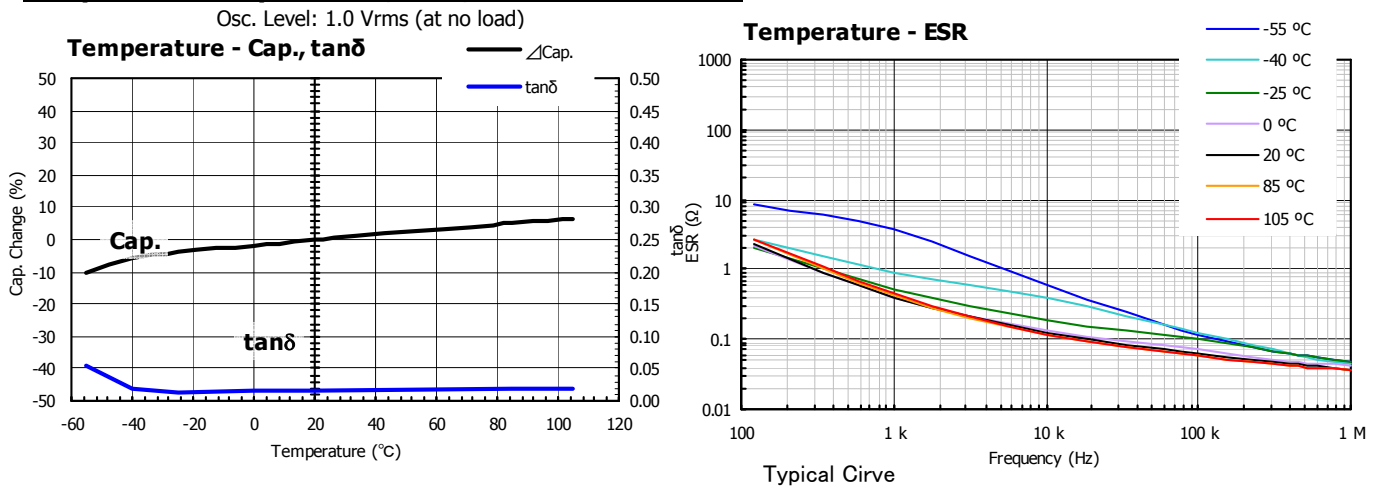


	(mm)
D	5.0
L	5.8±0.3
A, B	5.3
H	6.5 max.
I	2.2
W	0.65±0.10
P	1.5
K	0.35+0.15/-0.20

Frequency - |z|, ESR, ESL, Capacitance, tanδ Characteristics



Temperature - Capacitance, tanδ, ESR Characteristics



Technical Data

Conductive Polymer Hybrid Aluminum Electrolytic Capacitor

V type ZA series

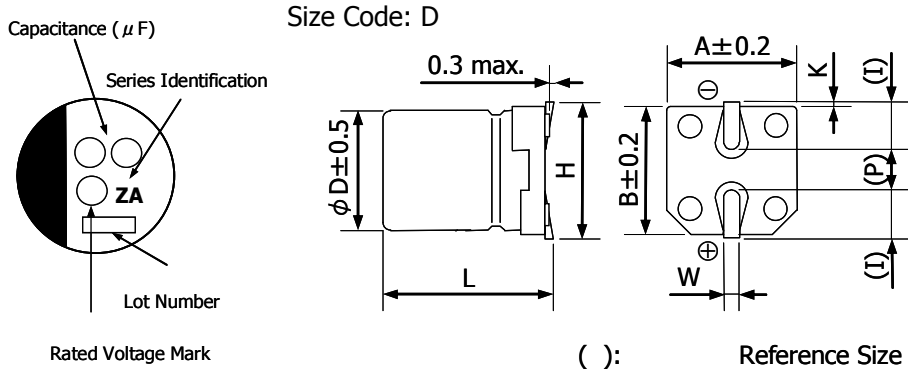
Part Number: **EEHZA1H220P**

$\phi 6.3 \times 5.8$ mm / 50 V / 22 μ F / 105 °C, 10000 h

Category Temperature Range	-55 to 105 °C
Rated W.V. Range	DC 50 V
Nominal Capacitance Range	22 μ F (at 120 Hz)
Capacitance Tolerance	± 20 %

$\tan \delta$	0.10 max. (at 120 Hz)
DC Leakage Current	11 μ A (0.01CV) max. (at W.V., After 2 min)
ESR	80 m Ω max. (at 100 kHz)
Ripple Current	1100 mArms max. (at 100 kHz, 105 °C)
Endurance	105 °C, 10000 h

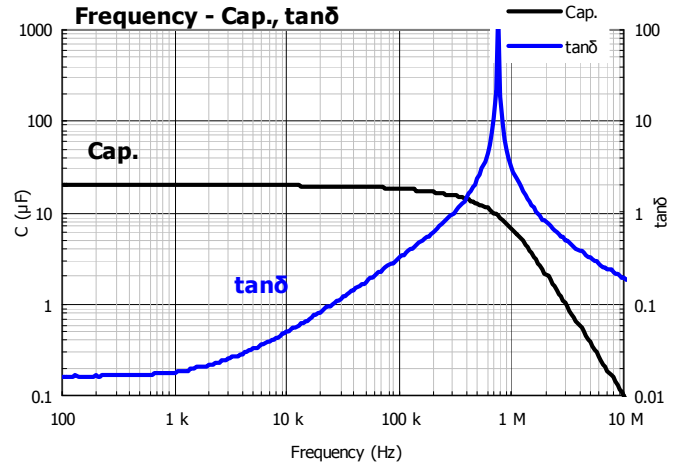
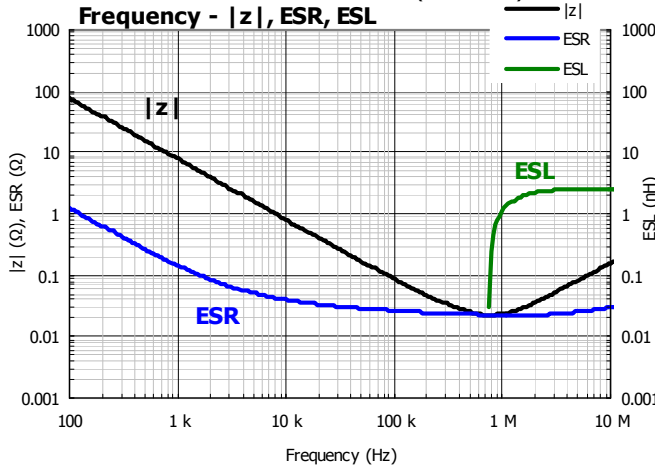
Marking, Dimensions in mm (not to scale)



	(mm)
D	6.3
L	5.8 \pm 0.3
A, B	6.6
H	7.8 max.
I	2.6
W	0.65 \pm 0.10
P	1.8
K	0.35 \pm 0.15/-0.20

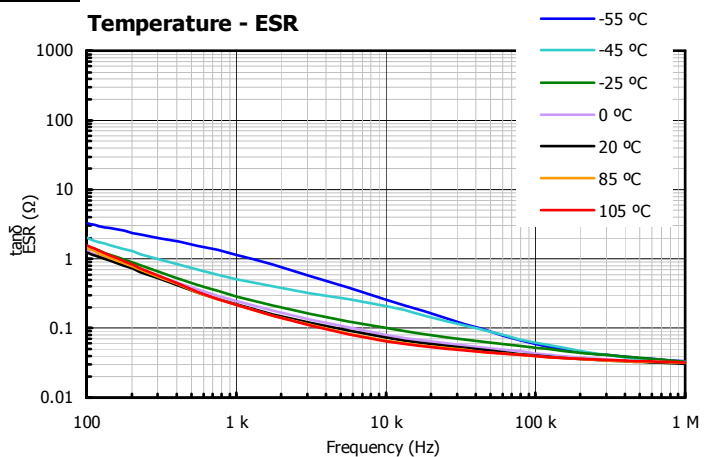
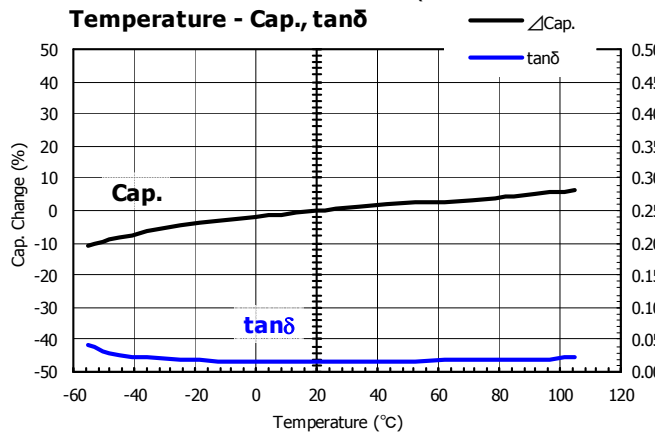
Frequency - $|z|$, ESR, ESL, Capacitance, $\tan \delta$ Characteristics

Osc. Level: 0.5 Vrms (at no load)



Temperature - Capacitance, $\tan \delta$, ESR Characteristics

Osc. Level: 1.0 Vrms (at no load)



Typical Curve

Technical Data

Conductive Polymer Hybrid Aluminum Electrolytic Capacitor

V type ZA series

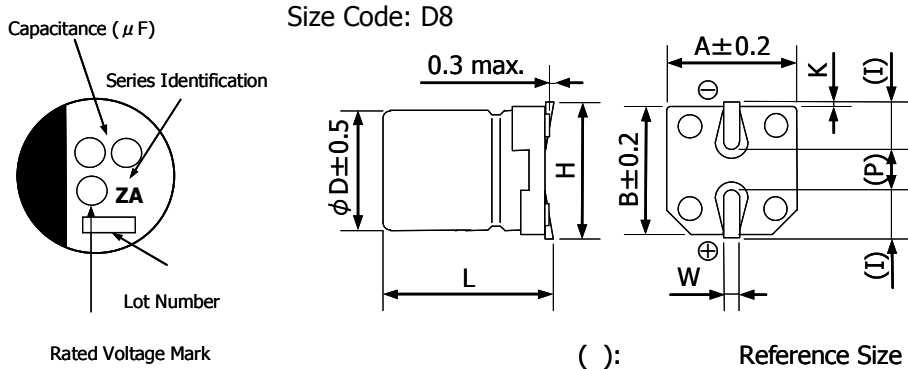
Part Number: **EEHZA1H330XP**

$\phi 6.3 \times 7.7$ mm / 50 V / 33 μ F / 105 °C, 10000 h

Category Temperature Range	-55 to 105 °C
Rated W.V. Range	DC 50 V
Nominal Capacitance Range	33 μ F (at 120 Hz)
Capacitance Tolerance	± 20 %

$\tan \delta$	0.10 max. (at 120 Hz)
DC Leakage Current	16.5 μ A (0.01CV) max. (at W.V., After 2 min)
ESR	40 m Ω max. (at 100 kHz)
Ripple Current	1600 mArms max. (at 100 kHz, 105 °C)
Endurance	105 °C, 10000 h

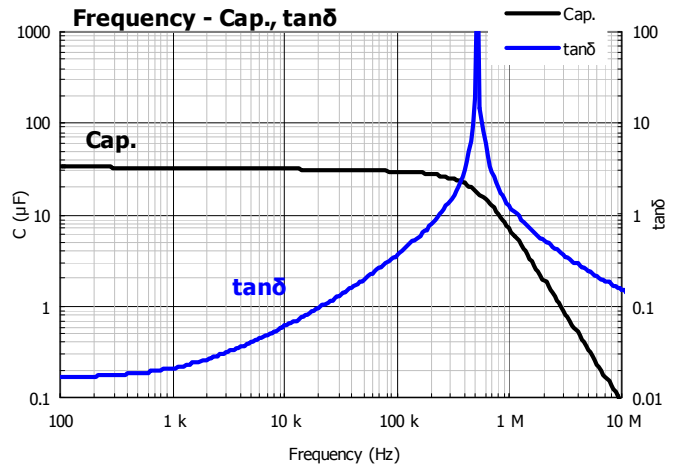
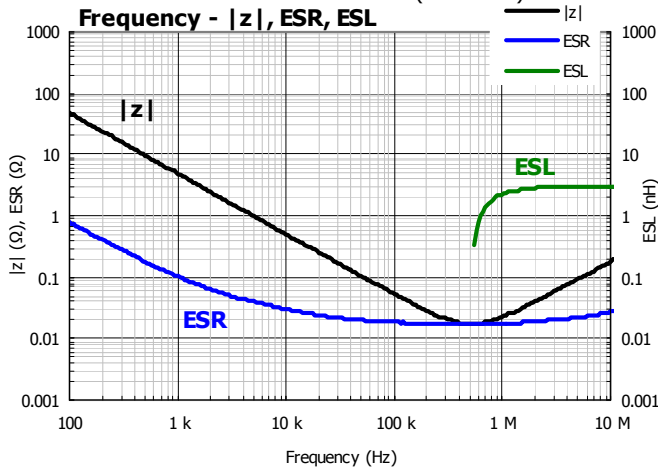
Marking, Dimensions in mm (not to scale)



	(mm)
D	6.3
L	7.7 ± 0.3
A, B	6.6
H	7.8 max.
I	2.6
W	0.65 ± 0.10
P	1.8
K	0.35 $+0.15/-0.20$

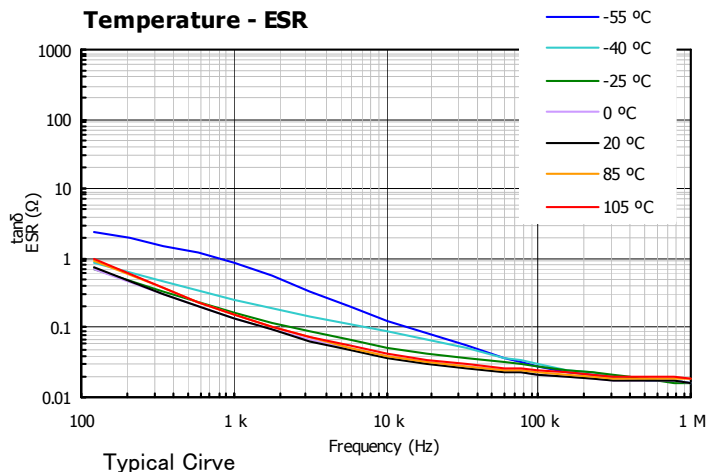
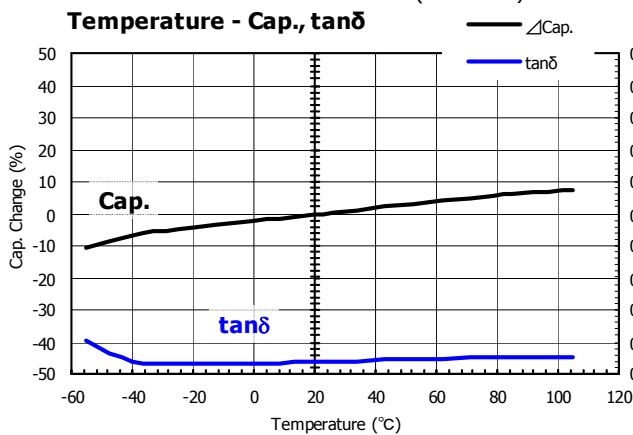
Frequency - |z|, ESR, ESL, Capacitance, $\tan \delta$ Characteristics

Osc. Level: 0.5 Vrms (at no load)



Temperature - Capacitance, $\tan \delta$, ESR Characteristics

Osc. Level: 1.0 Vrms (at no load)



Technical Data

Conductive Polymer Hybrid Aluminum Electrolytic Capacitor

V type ZA series

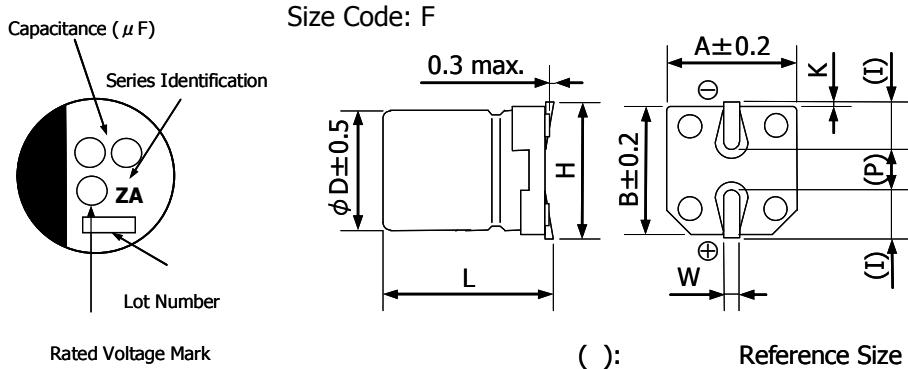
Part Number: **EEHZA1H680P**

$\phi 8.0 \times 10.2$ mm / 50 V / 68 μ F / 105 °C, 10000 h

Category Temperature Range	-55 to 105 °C
Rated W.V. Range	DC 50 V
Nominal Capacitance Range	68 μ F (at 120 Hz)
Capacitance Tolerance	± 20 %

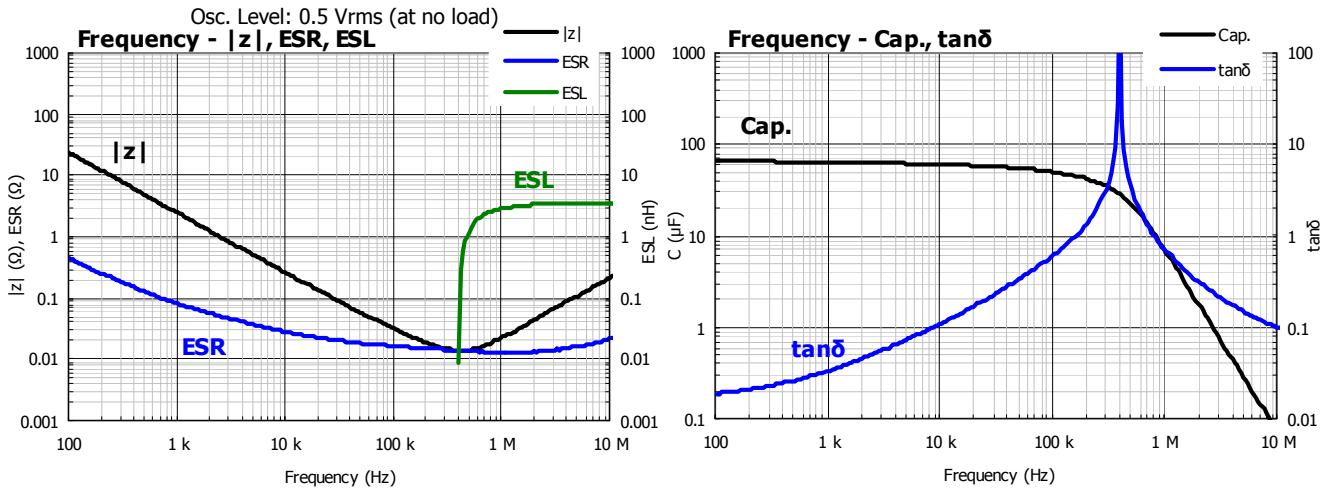
$\tan \delta$	0.1 max. (at 120 Hz)
DC Leakage Current	34 μ A (0.01CV) max. (at W.V., After 2 min)
ESR	30 m Ω max. (at 100 kHz)
Ripple Current	1800 mArms max. (at 100 kHz, 105 °C)
Endurance	105 °C, 10000 h

Marking, Dimensions in mm (not to scale)

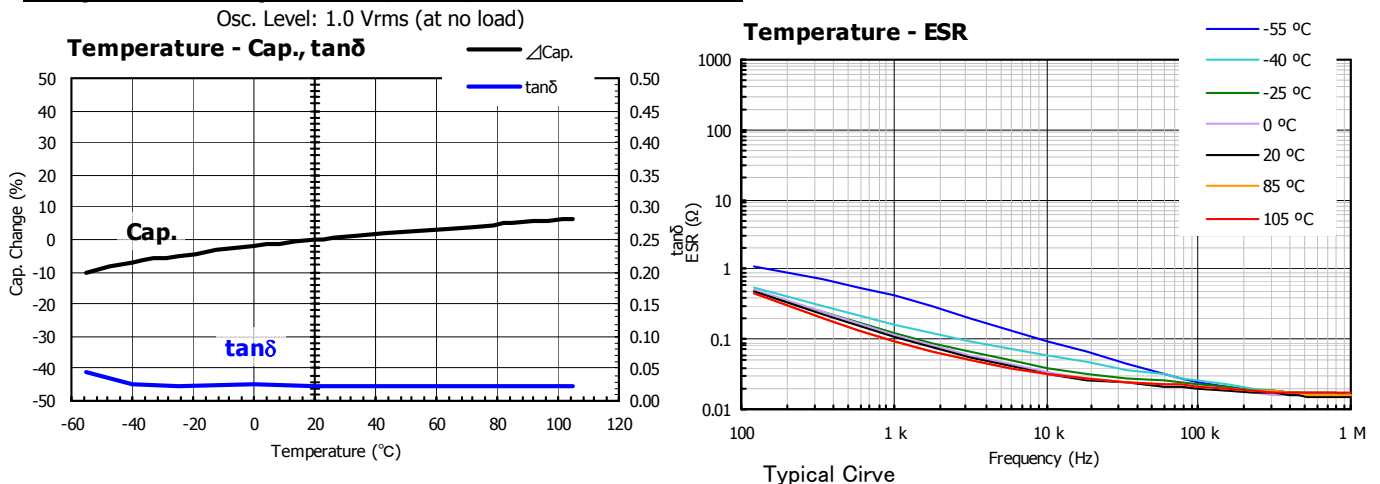


	(mm)
D	8.0
L	10.2 \pm 0.3
A, B	8.3
H	10.0 max.
I	3.4
W	0.9 \pm 0.2
P	3.1
K	0.7 \pm 0.2

Frequency - |z|, ESR, ESL, Capacitance, $\tan \delta$ Characteristics



Temperature - Capacitance, $\tan \delta$, ESR Characteristics



Technical Data

Conductive Polymer Hybrid Aluminum Electrolytic Capacitor

V type ZA series

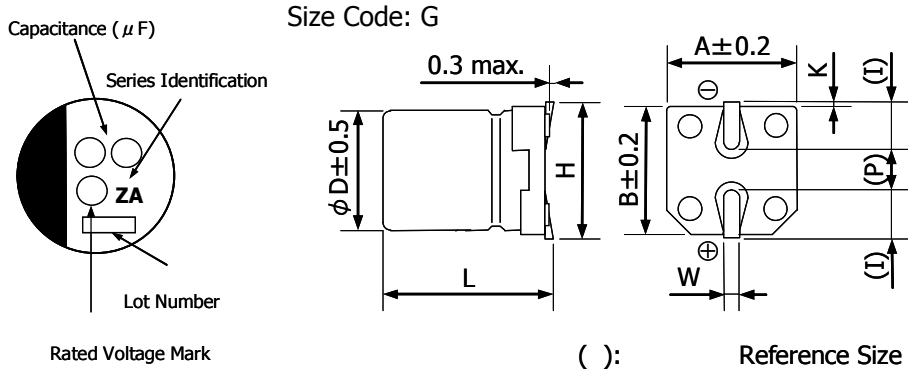
Part Number: **EEHZA1H101P**

ϕ 10.0×10.2 mm / 50 V / 100 μ F / 105 °C, 10000 h

Category Temperature Range	-55 to 105 °C
Rated W.V. Range	DC 50 V
Nominal Capacitance Range	100 μ F (at 120 Hz)
Capacitance Tolerance	\pm 20 %

tan δ	0.1 max. (at 120 Hz)
DC Leakage Current	50 μ A (0.01CV) max. (at W.V., After 2 min)
ESR	28 m Ω max. (at 100 kHz)
Ripple Current	2000 mArms max. (at 100 kHz, 105 °C)
Endurance	105 °C, 10000 h

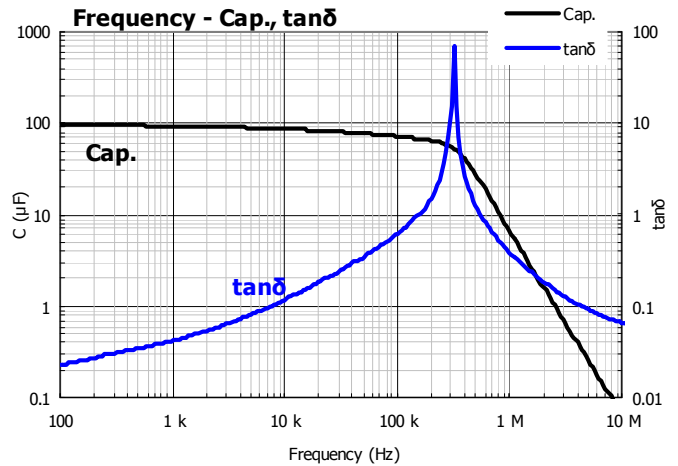
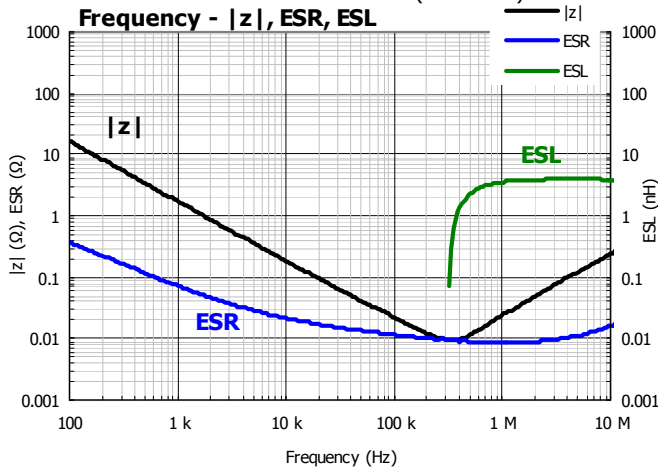
Marking, Dimensions in mm (not to scale)



	(mm)
D	10.0
L	10.2±0.3
A, B	10.3
H	12.0 max.
I	3.5
W	0.9±0.2
P	4.6
K	0.7±0.2

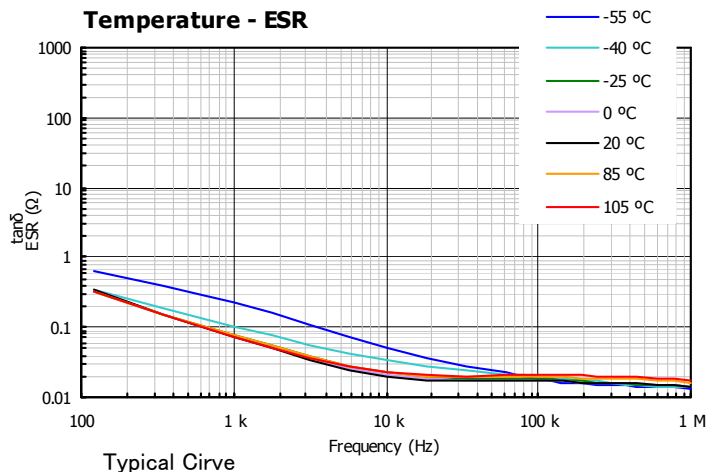
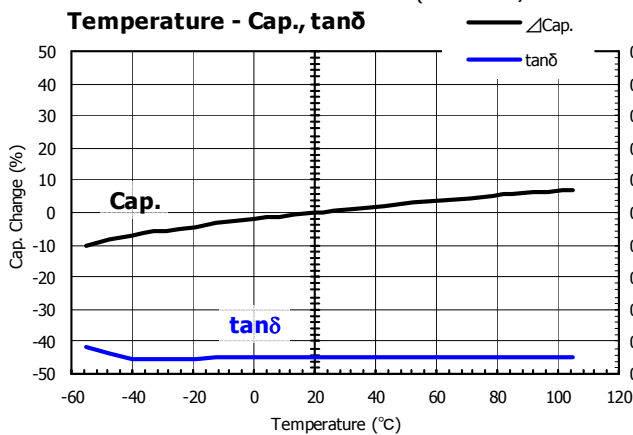
Frequency - |z|, ESR, ESL, Capacitance, tan δ Characteristics

Osc. Level: 0.5 Vrms (at no load)



Temperature - Capacitance, tan δ , ESR Characteristics

Osc. Level: 1.0 Vrms (at no load)



Technical Data

Conductive Polymer Hybrid Aluminum Electrolytic Capacitor

V type ZA series

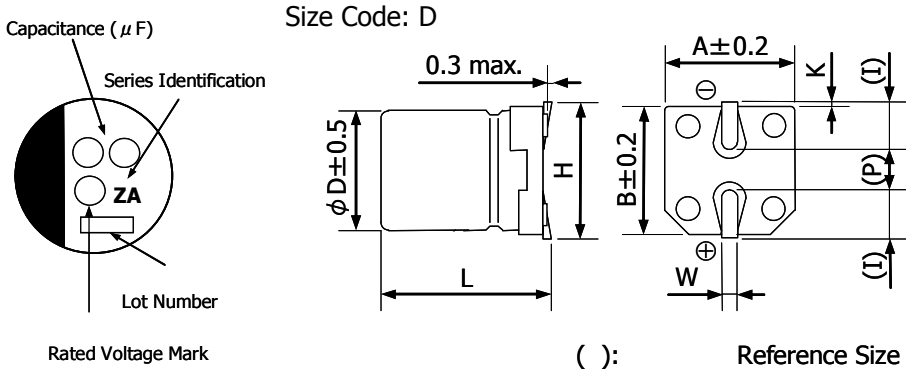
Part Number: **EEHZA1J100P**

$\phi 6.3 \times 5.8$ mm / 63 V / 10 μ F / 105 °C, 10000 h

Category Temperature Range	-55 to 105 °C
Rated W.V. Range	DC 63 V
Nominal Capacitance Range	10 μ F (at 120 Hz)
Capacitance Tolerance	± 20 %

$\tan \delta$	0.08 max. (at 120 Hz)
DC Leakage Current	6.3 μ A (0.01CV) max. (at W.V., After 2 min)
ESR	120 m Ω max. (at 100 kHz)
Ripple Current	1000 mArms max. (at 100 kHz, 105 °C)
Endurance	105 °C, 10000 h

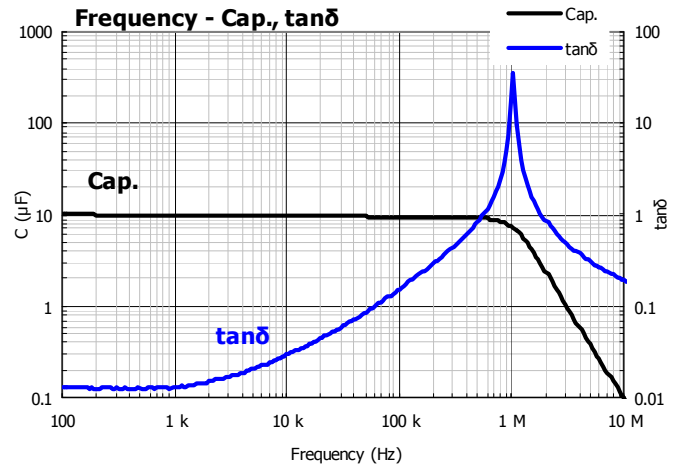
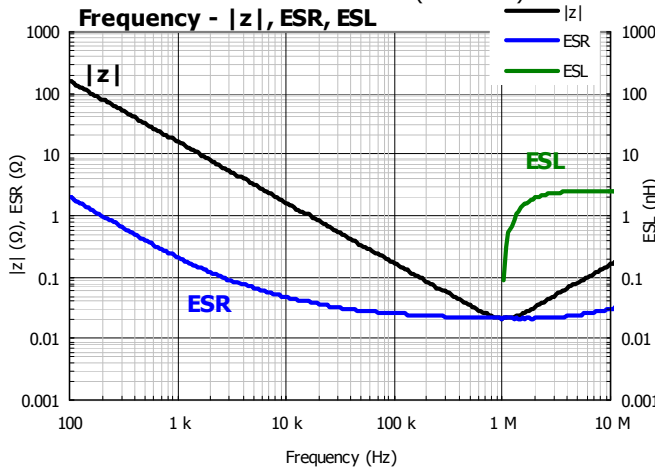
Marking, Dimensions in mm (not to scale)



	(mm)
D	6.3
L	5.8 \pm 0.3
A, B	6.6
H	7.8 max.
I	2.6
W	0.65 \pm 0.10
P	1.8
K	0.35 \pm 0.15/-0.20

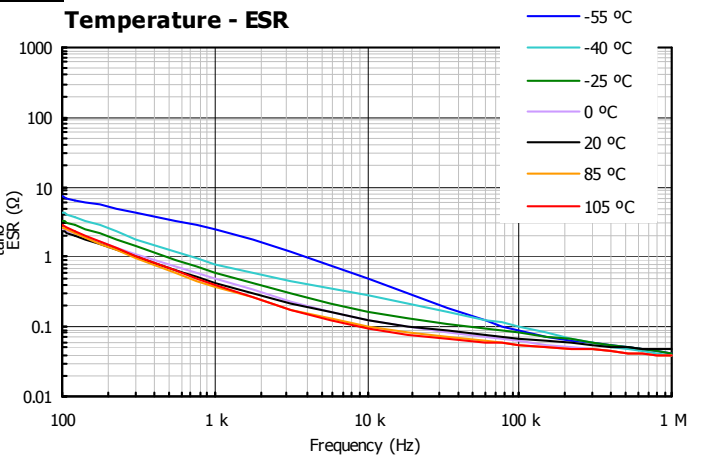
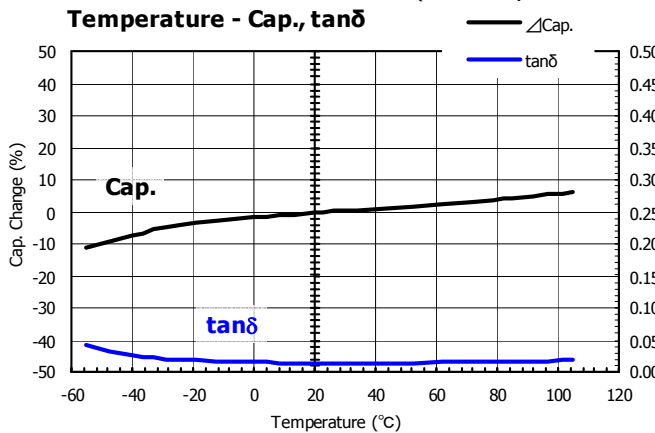
Frequency - $|z|$, ESR, ESL, Capacitance, $\tan \delta$ Characteristics

Osc. Level: 0.5 Vrms (at no load)



Temperature - Capacitance, $\tan \delta$, ESR Characteristics

Osc. Level: 1.0 Vrms (at no load)



Typical Curve

Technical Data

Conductive Polymer Hybrid Aluminum Electrolytic Capacitor

V type ZA series

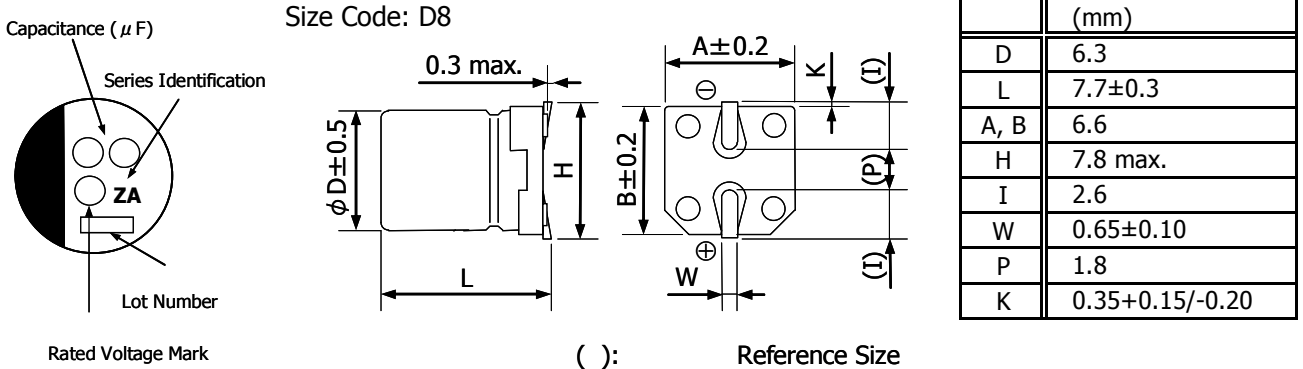
Part Number: EEHZA1J220XP

$\phi 6.3 \times 7.7$ mm / 63 V / 22 μ F / 105 °C, 10000 h

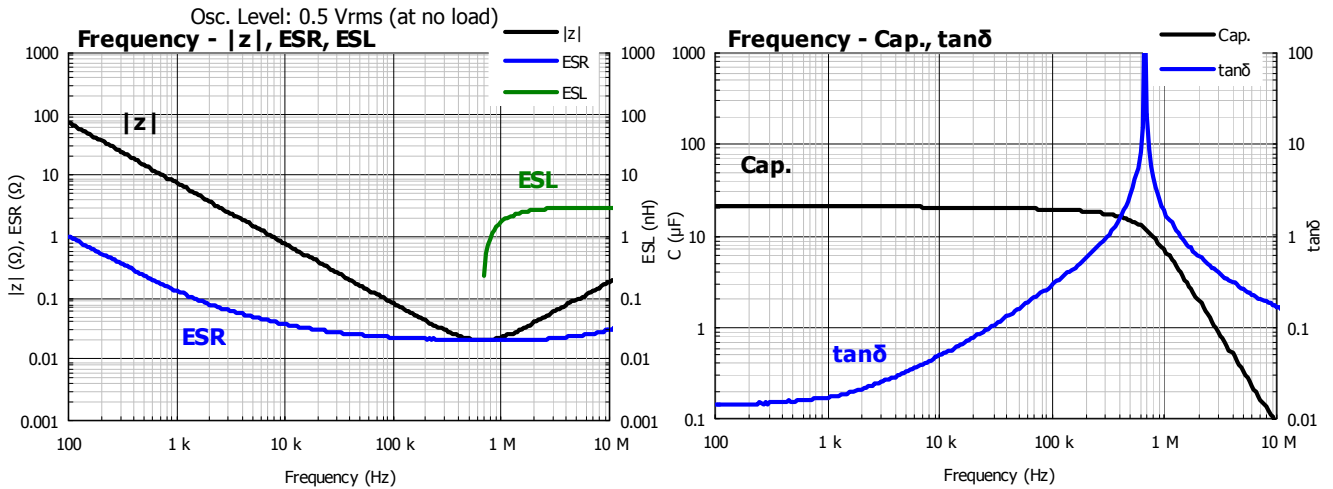
Category Temperature Range	-55 to 105 °C
Rated W.V. Range	DC 63 V
Nominal Capacitance Range	22 μ F (at 120 Hz)
Capacitance Tolerance	± 20 %

$\tan\delta$	0.08 max. (at 120 Hz)
DC Leakage Current	13.8 μ A (0.01CV) max. (at W.V., After 2 min)
ESR	80 m Ω max. (at 100 kHz)
Ripple Current	1500 mArms max. (at 100 kHz, 105 °C)
Endurance	105 °C, 10000 h

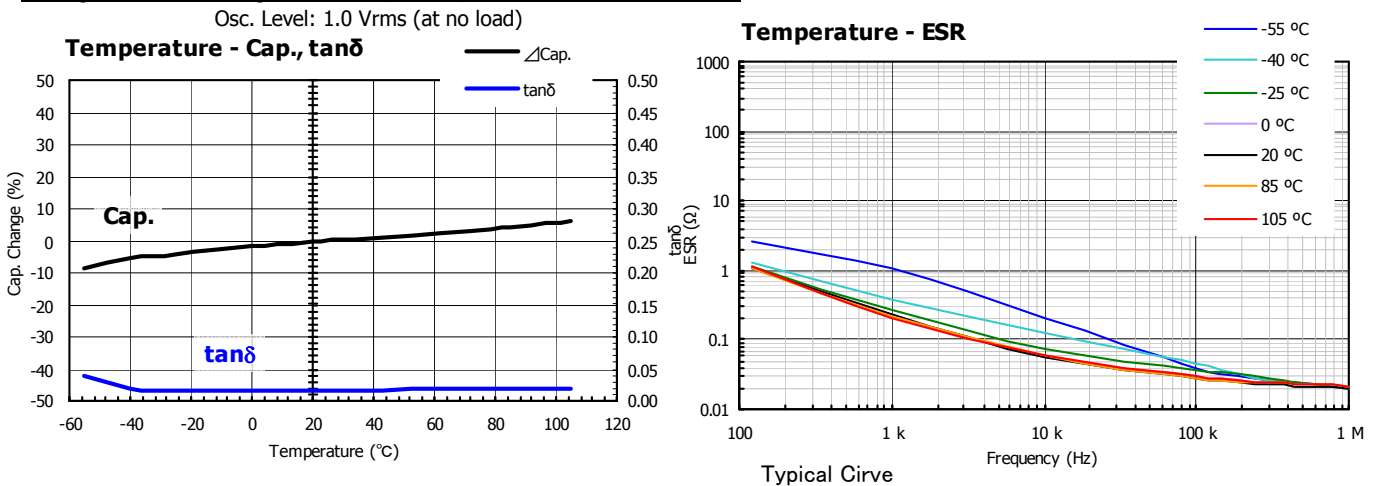
Marking, Dimensions in mm (not to scale)



Frequency - |z|, ESR, ESL, Capacitance, $\tan\delta$ Characteristics



Temperature - Capacitance, $\tan\delta$, ESR Characteristics



Technical Data

Conductive Polymer Hybrid Aluminum Electrolytic Capacitor

V type ZA series

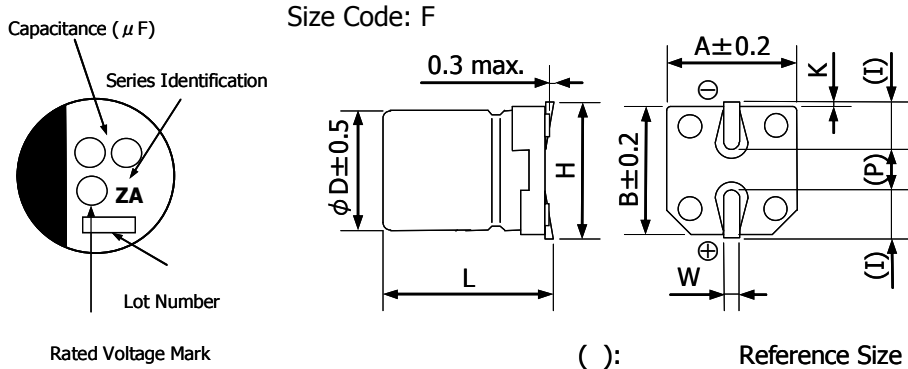
Part Number: **EEHZA1J330P**

$\phi 8.0 \times 10.2$ mm / 63 V / 33 μ F / 105 °C, 10000 h

Category Temperature Range	-55 to 105 °C
Rated W.V. Range	DC 63 V
Nominal Capacitance Range	33 μ F (at 120 Hz)
Capacitance Tolerance	± 20 %

$\tan \delta$	0.08 max. (at 120 Hz)
DC Leakage Current	20.7 μ A (0.01CV) max. (at W.V., After 2 min)
ESR	40 m Ω max. (at 100 kHz)
Ripple Current	1700 mArms max. (at 100 kHz, 105 °C)
Endurance	105 °C, 10000 h

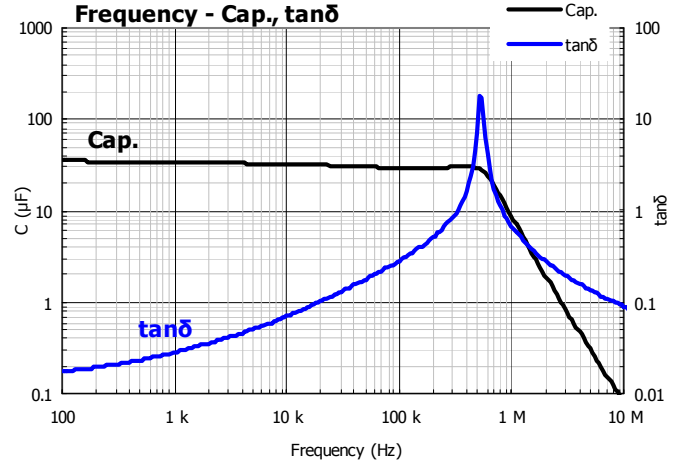
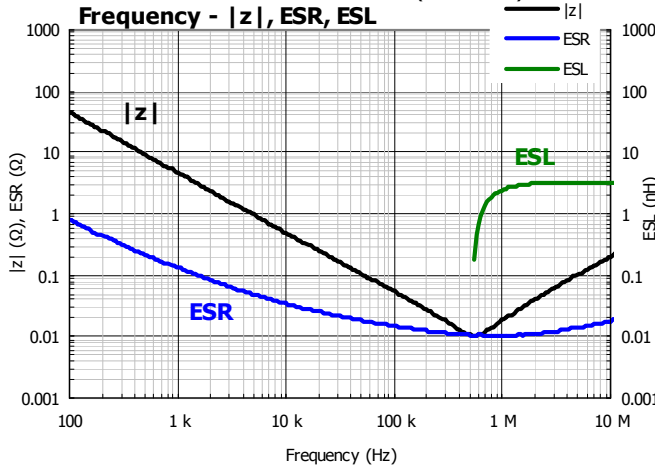
Marking, Dimensions in mm (not to scale)



	(mm)
D	8.0
L	10.2 \pm 0.3
A, B	8.3
H	10.0 max.
I	3.4
W	0.9 \pm 0.2
P	3.1
K	0.7 \pm 0.2

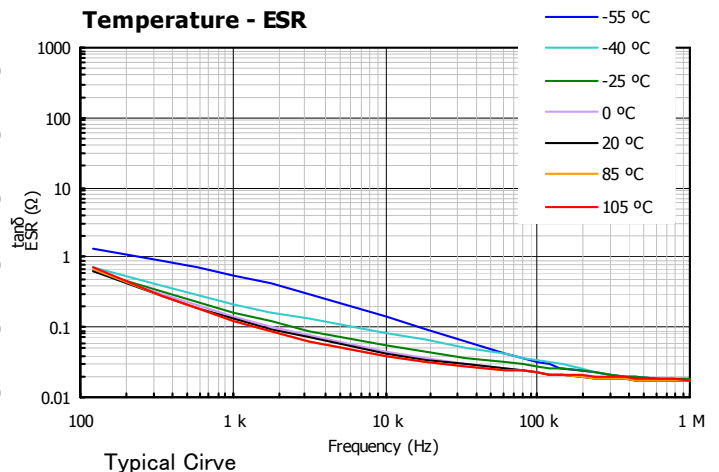
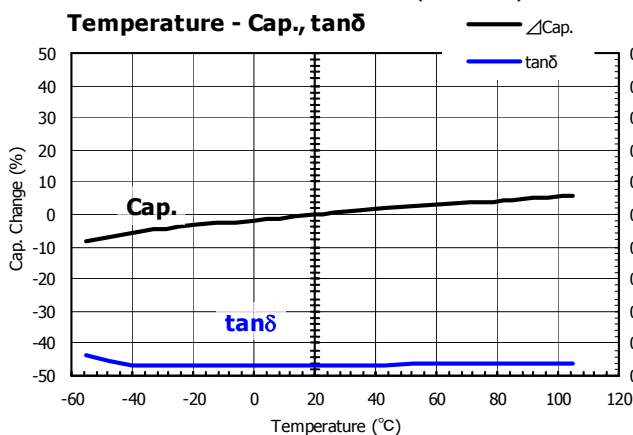
Frequency - |z|, ESR, ESL, Capacitance, $\tan \delta$ Characteristics

Osc. Level: 0.5 Vrms (at no load)



Temperature - Capacitance, $\tan \delta$, ESR Characteristics

Osc. Level: 1.0 Vrms (at no load)



Technical Data

Conductive Polymer Hybrid Aluminum Electrolytic Capacitor

V type ZA series

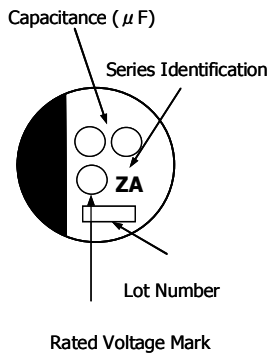
Part Number: **EEHZA1J560P**

$\phi 10.0 \times 10.2$ mm / 63 V / 56 μ F / 105 °C, 10000 h

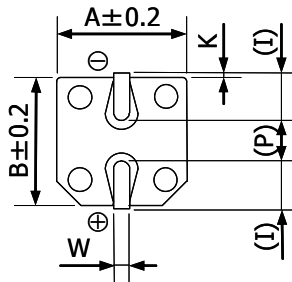
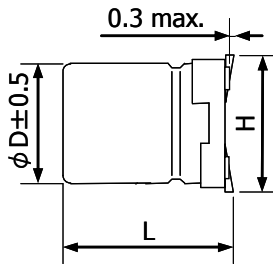
Category Temperature Range	-55 to 105 °C
Rated W.V. Range	DC 63 V
Nominal Capacitance Range	56 μ F (at 120 Hz)
Capacitance Tolerance	± 20 %

$\tan \delta$	0.08 max. (at 120 Hz)
DC Leakage Current	35.2 μ A (0.01CV) max. (at W.V., After 2 min)
ESR	30 m Ω max. (at 100 kHz)
Ripple Current	1800 mArms max. (at 100 kHz, 105 °C)
Endurance	105 °C, 10000 h

Marking, Dimensions in mm (not to scale)



Size Code: G

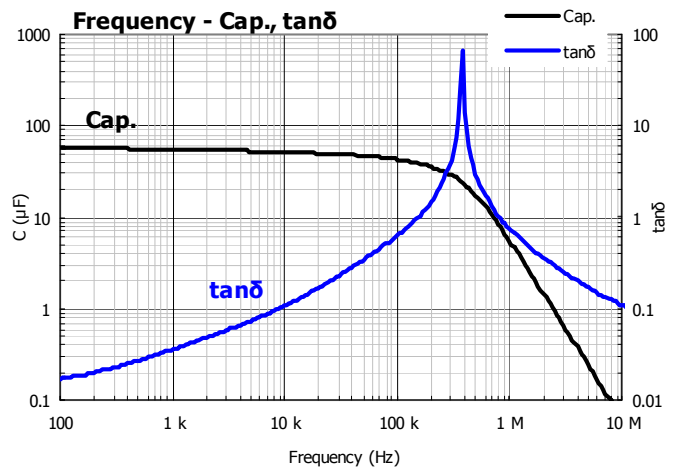
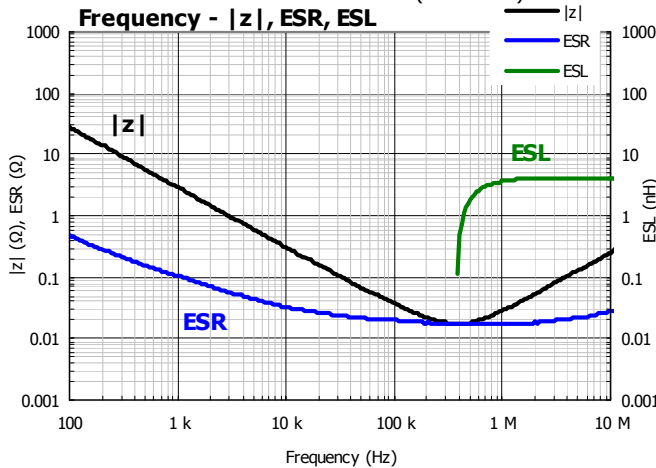


	(mm)
D	10.0
L	10.2 \pm 0.3
A, B	10.3
H	12.0 max.
I	3.5
W	0.9 \pm 0.2
P	4.6
K	0.7 \pm 0.2

(): Reference Size

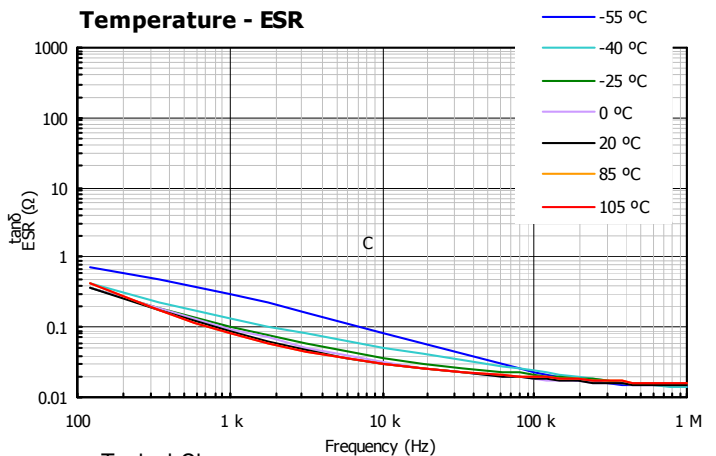
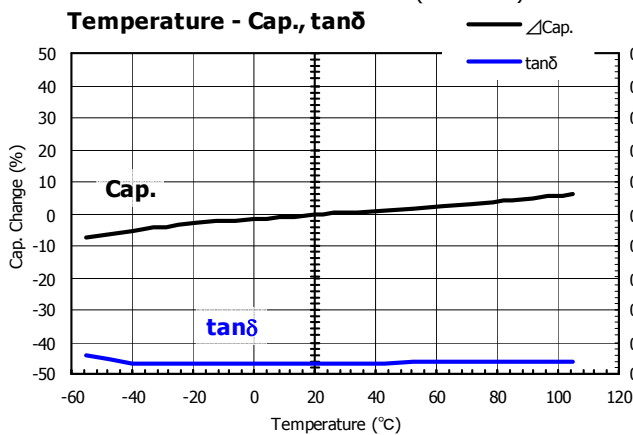
Frequency - |z|, ESR, ESL, Capacitance, $\tan \delta$ Characteristics

Osc. Level: 0.5 Vrms (at no load)



Temperature - Capacitance, $\tan \delta$, ESR Characteristics

Osc. Level: 1.0 Vrms (at no load)



Typical Curve

Technical Data

Conductive Polymer Hybrid Aluminum Electrolytic Capacitor

V type ZA series

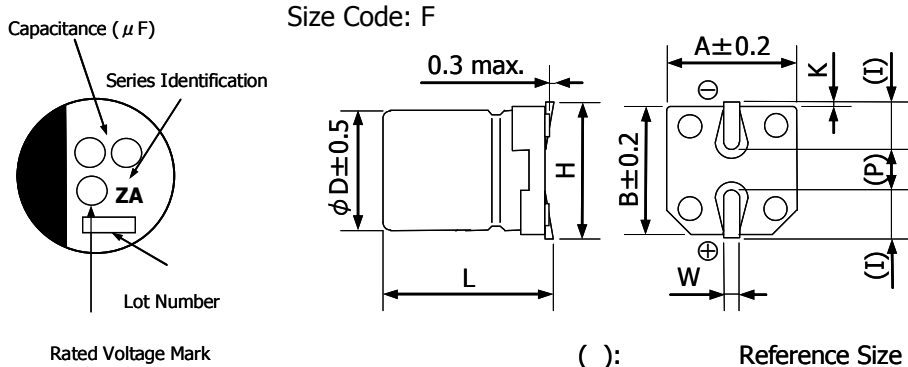
Part Number: **EEHZA1K220P**

$\phi 8.0 \times 10.2$ mm / 80 V / 22 μ F / 105 °C, 10000 h

Category Temperature Range	-55 to 105 °C
Rated W.V. Range	DC 80 V
Nominal Capacitance Range	22 μ F (at 120 Hz)
Capacitance Tolerance	± 20 %

$\tan \delta$	0.08 max. (at 120 Hz)
DC Leakage Current	17.6 μ A (0.01CV) max. (at W.V., After 2 min)
ESR	45 m Ω max. (at 100 kHz)
Ripple Current	1550 mArms max. (at 100 kHz, 105 °C)
Endurance	105 °C, 10000 h

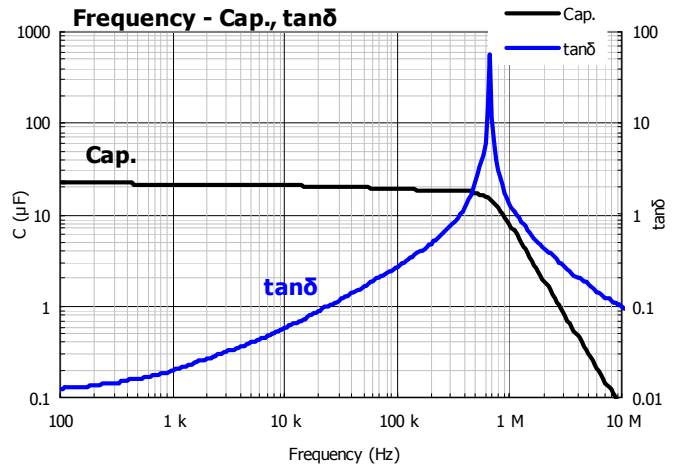
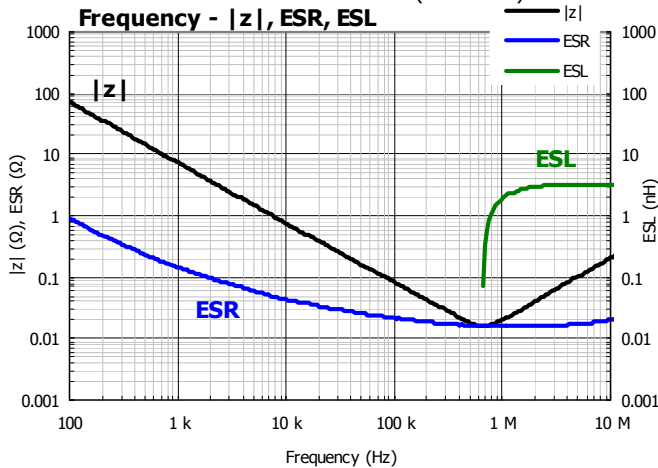
Marking, Dimensions in mm (not to scale)



	(mm)
D	8.0
L	10.2 \pm 0.3
A, B	8.3
H	10.0 max.
I	3.4
W	0.9 \pm 0.2
P	3.1
K	0.7 \pm 0.2

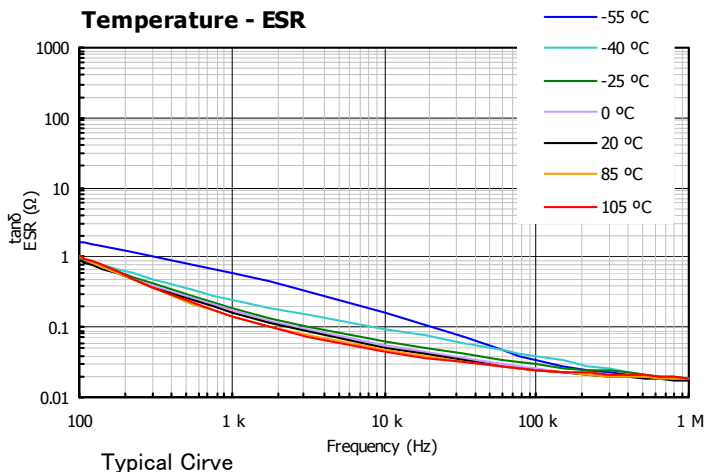
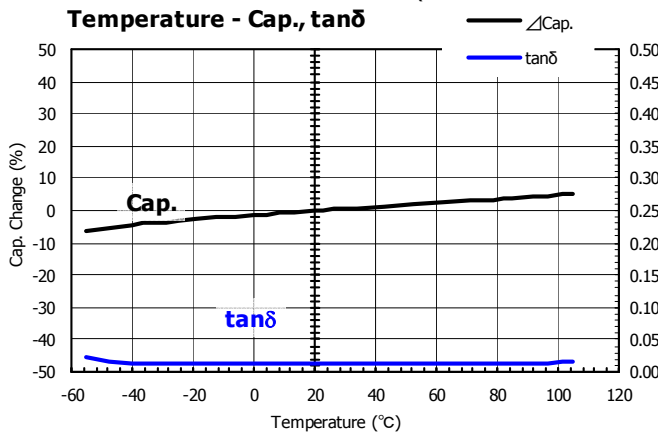
Frequency - $|z|$, ESR, ESL, Capacitance, $\tan \delta$ Characteristics

Osc. Level: 0.5 Vrms (at no load)



Temperature - Capacitance, $\tan \delta$, ESR Characteristics

Osc. Level: 1.0 Vrms (at no load)



Technical Data

Conductive Polymer Hybrid Aluminum Electrolytic Capacitor

V type ZA series

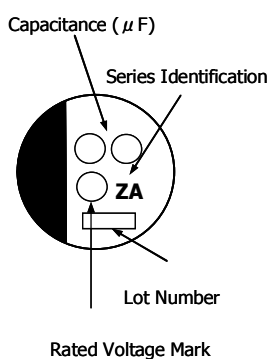
Part Number: **EEHZA1K330P**

$\phi 10.0 \times 10.2$ mm / 80 V / 33 μ F / 105 °C, 10000 h

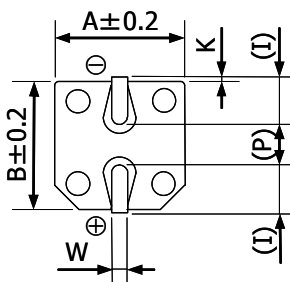
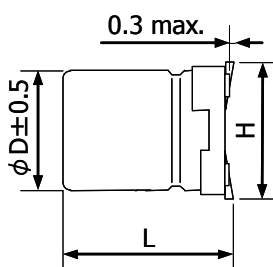
Category Temperature Range	-55 to 105 °C
Rated W.V. Range	DC 80 V
Nominal Capacitance Range	33 μ F (at 120 Hz)
Capacitance Tolerance	± 20 %

$\tan \delta$	0.08 max. (at 120 Hz)
DC Leakage Current	26.4 μ A (0.01CV) max. (at W.V., After 2 min)
ESR	36 m Ω max. (at 100 kHz)
Ripple Current	1700 mArms max. (at 100 kHz, 105 °C)
Endurance	105 °C, 10000 h

Marking, Dimensions in mm (not to scale)



Size Code: G

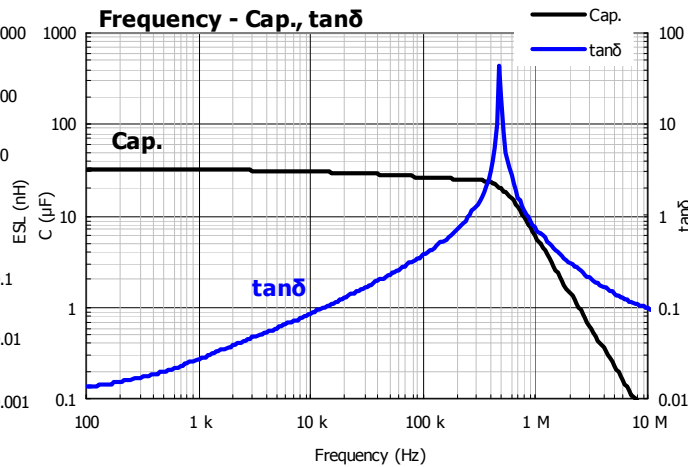
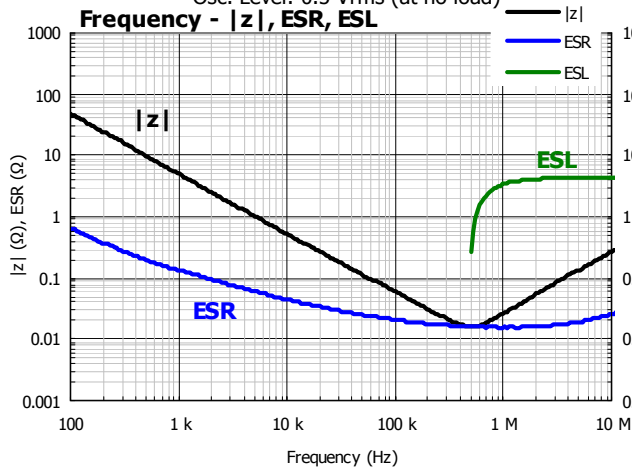


	(mm)
D	10.0
L	10.2 \pm 0.3
A, B	10.3
H	12.0 max.
I	3.5
W	0.9 \pm 0.2
P	4.6
K	0.7 \pm 0.2

(): Reference Size

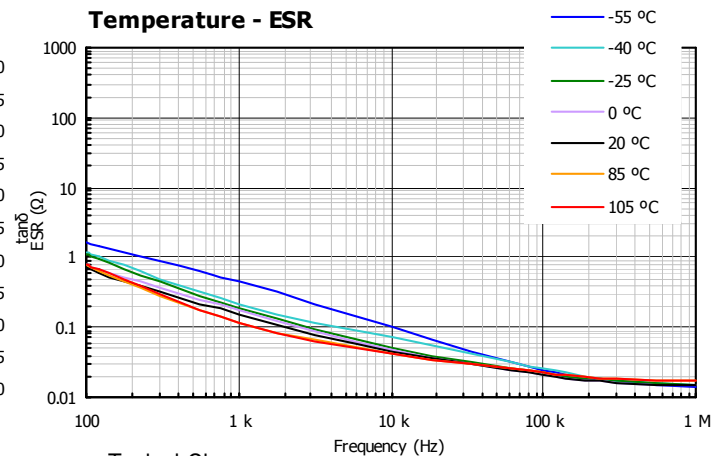
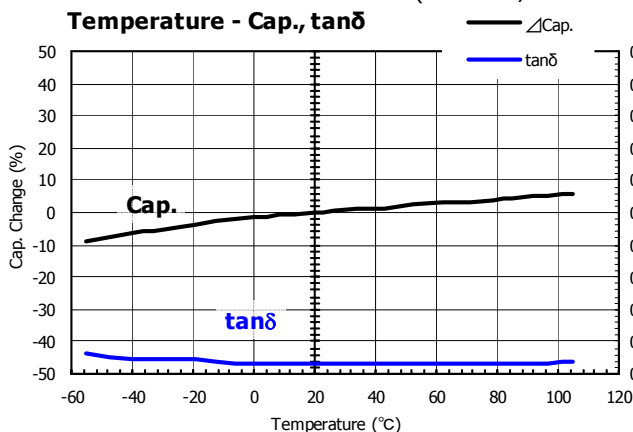
Frequency - |z|, ESR, ESL, Capacitance, $\tan \delta$ Characteristics

Osc. Level: 0.5 Vrms (at no load)



Temperature - Capacitance, $\tan \delta$, ESR Characteristics

Osc. Level: 1.0 Vrms (at no load)



Typical Curve

M E M O

M E M O

M E M O

Technical Data of Conductive Polymer Hybrid
Aluminium Electrolytic Capacitors

The First edition : July 1st 2013

The Second edition : June 1st 2014

Capacitor Business Division

Issued by Automotive & Industrial Systems Company, Panasonic Co., Ltd.

Customer technical group 1team of technology

Tel: 81-774-33-3209

All rights reserved. No part of this publication may be reproduced or utilized in any form or by any means, electronic or mechanical, including photocopying and microfilm, without permission in writing from the publisher.