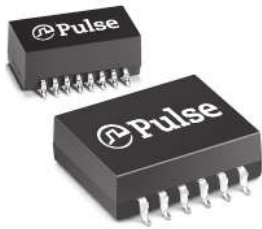


10/100BASE-TX Single-Port Transformer Modules

Military / Aerospace Grade



- Compliant with IEEE 802.3u & ANSI X3.263 standards
- 350µH OCL with 8mA bias
- Operating and storage temperature:
 - 100B-1001F & 100B-1003: -40°C to +85°C
 - 100B-1001FX & 100B-1003X: -55°C to +125°C
- IC grade transfer-molded package withstands 235°C peak temperature profile.
- RoHS version withstands 245°C
- AS9100C Certified (Based on and including ISO 9001:2008)
- Maximum Isolation Voltage: 2500 VDC / 1800VAC

Electrical Specifications @ 25°C

Part Number ¹	Insertion Loss (dB MIN)	Return Loss (dB MAX)				Crosstalk (dB MAX)				DM to CM Rejection Ratio (dB MAX)		
	0.1-100 MHz	2-30 MHz	50 MHz	60 MHz	80 MHz	16 MHz	30 MHz	60 MHz	80 MHz	0.1-30 MHz	30-60 MHz	60-100 MHz
100B-1001	-1.00	-18	-14	-12	-12	-48	-44	-40	-38	TX: -50 RX: -50	TX: -40 RX: -40	TX: -30 RX: -30
100B-1001X	-1.10	-18	-14	-12	-12	-48	-44	-40	-38	TX: -45 RX: -45	TX: -40 RX: -40	TX: -38 RX: -33
100B-1001F	-1.00	-18	-14	-12	-12	-48	-44	-40	-38	TX: -50 RX: -50	TX: -40 RX: -40	TX: -30 RX: -30
100B-1001FX	-1.10	-18	-14	-12	-10	-48	-44	-40	-38	TX: -45 RX: -45	TX: -40 RX: -40	TX: -38 RX: -33
100B-1003	-1.00	-20	-14	-12	-12	-48	-45	-40	-38	TX: -50 RX: -50	TX: -40 RX: -40	TX: -35 RX: -35
100B-1003X	-1.00	-20	-14	-12	-12	-48	-45	-40	-38	TX: -45 RX: -35	TX: -40 RX: -35	TX: -35 RX: -35
100B-1003F	-1.00	-20	-14	-12	-12	-48	-45	-40	-38	TX: -50 RX: -50	TX: -40 RX: -40	TX: -35 RX: -35
100B-1003FX	-1.00	-20	-14	-12	-12	-48	-45	-40	-38	TX: -45 RX: -35	TX: -40 RX: -35	TX: -35 RX: -35

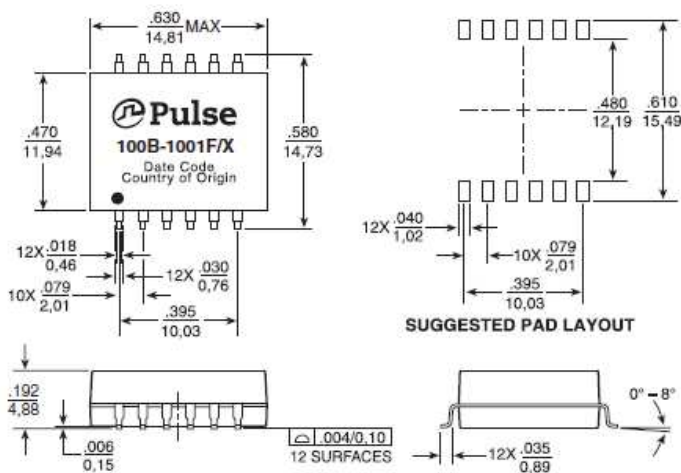
Notes:

- Standard Part have a Sn63/Pb37 Lead Finish (MSL:3)
- Add suffix "NL" for RoHS compliant version; i.e. 100B-1001F becomes 100B-1001FNL. NL Parts have 100% Sn Lead Finish (MSL: 4)
- For Tape&Reel Packaging, add "T" suffix at the end of the part number; i.e. 100B-1003FXNLT
- Maximum Hi-Pot 1800VAC/2500VDC for 6 Sec.

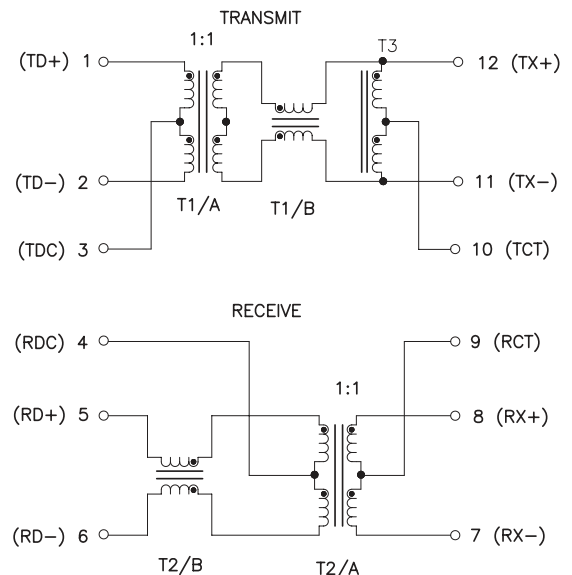
Mechanical

Schematic

100B-1001F/X



Weight 1.7 grams
 Dimensions: Inches
 Tape and Reel 350/reel
 Tray 30/tray
 Unless otherwise specified, all tolerances are ± .010
 0,25



10/100BASE-TX Single-Port Transformer Modules

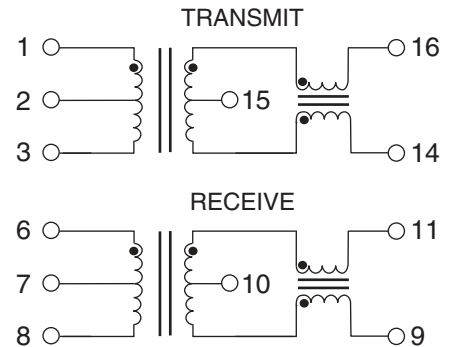
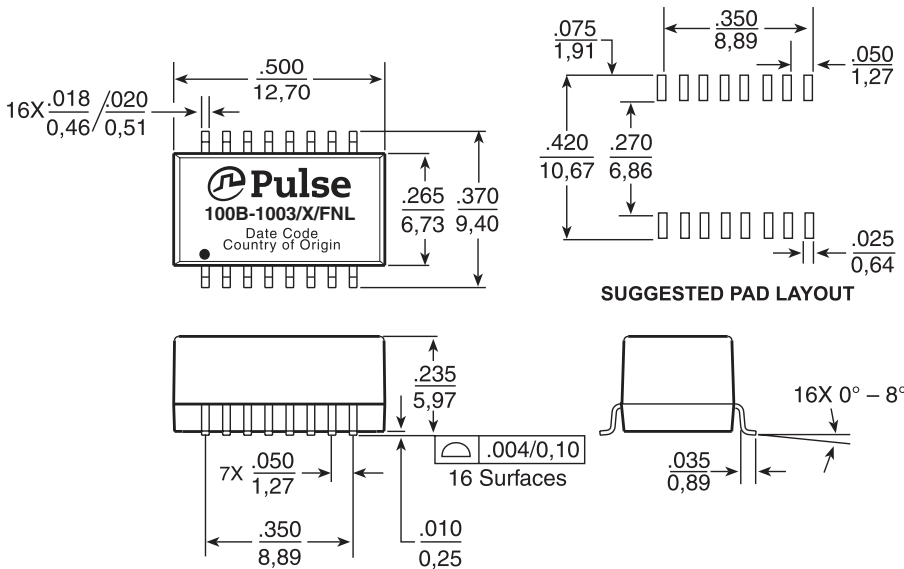
Military / Aerospace Grade



Mechanical

Schematic

100B-1003/X/FNL



Weight 1.16 grams
 Tape and Reel600/reel
 Dimensions: Inches
 mm
 Unless otherwise specified, all tolerances are $\pm .010$
 0,25

For More Information

PulseNorthAmerica Headquarters
 Two Pearl Buck Court
 Bristol, PA 19007
 U.S.A.

Pulse Europe
 Einsteinstrasse 1
 D-71083 Herrenberg
 Germany

PulseChinaHeadquarters
 B402 Shenzhen Academy of
 Aerospace Technology Bldg.
 10th Kejian Road
 High-Tech Zone
 Nanshan District
 Shenzhen, P.R. China 518057

Pulse North China
 Room 2704/2705
 Super Ocean Finance Ctr.
 2067 Yan An Road West
 Shanghai 200336
 China

Pulse South Asia
 135 Joo Seng Road
 #03-02
 PM Industrial Bldg.
 Singapore 368363

Pulse North Asia
 3F, No. 198
 Zhongyuan Road
 Zhongli City
 Taoyuan County 320
 Taiwan R. O. C.
 Tel: 886 3 4356768
 Fax: 886 3 4356823 (Pulse)
 Fax: 886 3 4356820 (FRE)

Tel: 215 781 6400
 Fax: 215 781 6403

Tel: 49 7032 7806 0
 Fax: 49 7032 7806 135

Tel: 86 755 33966678
 Fax: 86 755 33966700

Tel: 86 21 62787060
 Fax: 86 21 62786973

Tel: 65 6287 8998
 Fax: 65 6287 8998

Performance warranty of products offered on this data sheet is limited to the parameters specified. Data is subject to change without notice. Other brand and product names mentioned herein may be trademarks or registered trademarks of their respective owners. © Copyright, 2014. Pulse Electronics, Inc. All rights reserved.