

Applications

- WiFi bandpass filter that enables the coexistence of 4G (WiMAX/LTE/TD-LTE) & WiFi signals
- Handsets
- Portable Hotspots
- Mobile Routers
- Smart Meters
- High-power WLAN Access Points
- Applicable reject bands: 2.6 GHz WiMAX/LTE, TDD-LTE Bands 38 & 40

Product Features

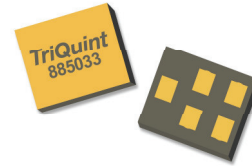
- Low Loss in WLAN band with extended upper corner for inclusion of Bluetooth
- High Rejection in B38/B40 bands
- Industry leading small size: 1.4 x 1.2 x 0.46 mm
- Performance over -30 to +85 °C
- Single Ended operation
- Hermetically sealed
- RoHS compliant, Pb-free module package

General Description

The 885033 is a high-performance, high power Bulk Acoustic Wave (BAW) band-pass filter with extremely steep skirts, simultaneously exhibiting low loss in the WiFi band and high near-in rejection in the 2.6GHz bands.

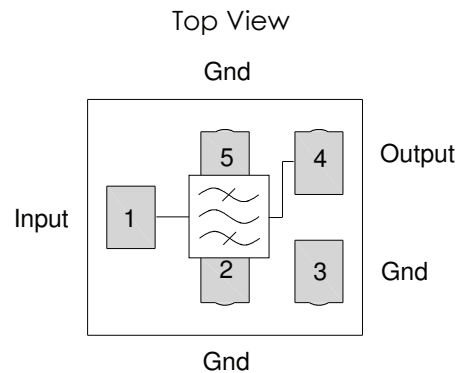
885033 is specifically designed to enable coexistence of WiFi and LTE signals within the same device or in close proximity to one another.

The 885033 uses common module packaging techniques to achieve the industry standard 1.4 x 1.2 x 0.46 mm footprint. The filter exhibits excellent power handling capabilities.



CSP-5CT package: 1.4x1.2x0.46mm

Functional Block Diagram



Pin Configuration

Pin No.	Label
1	Input
4	Output
2,3,5	Ground*

Ordering Information

Part No.	Description
885033	Packaged part
885033-EVB	Evaluation board

Standard T/R size = 10,000 units/reel