

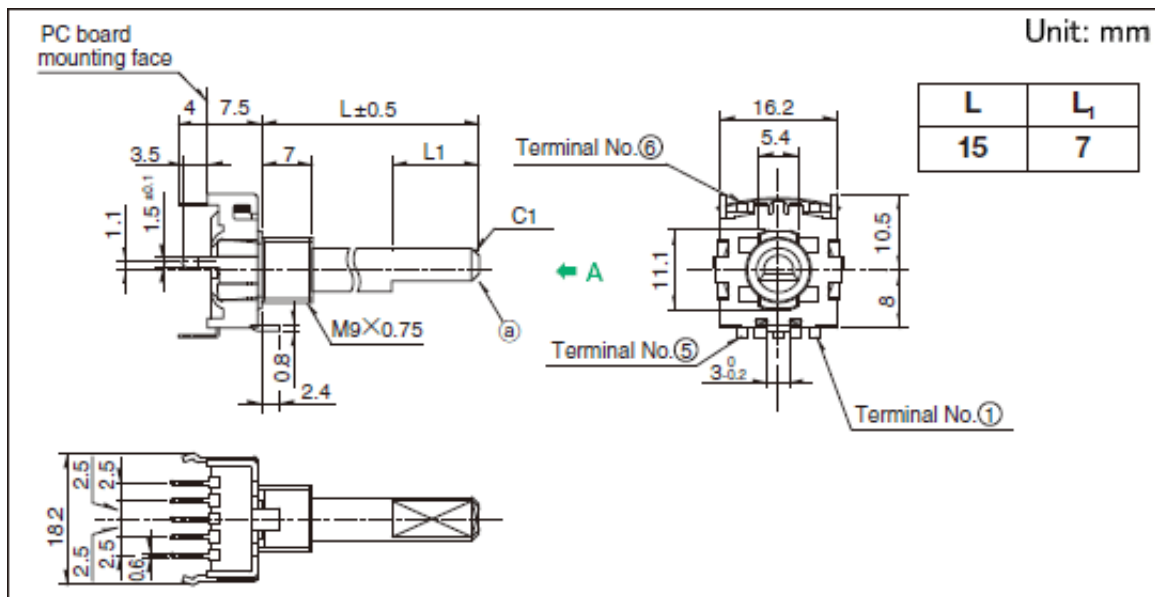
8-positions Low-profile Vertical Type SRBV Series

Part number	SRBV181004			
Poles	1			
Positions	8			
Changeover angle	30±3°			
Changeover timing	Non shorting			
Rotational torque	30±15mN·m			
Actuator configuration	Flat			
Actuator length	L: 15mm			
Operating temperature range	-10°C to +85°C			
Rating (max.)/(min.) (Resistive load)	0.3A 16V DC/50μA 3V DC			
Electrical performance	Contact resistance (Initial performance/After lifetime)	50mΩ max./150mΩ max.		
	Insulation resistance	100MΩ min. 100V DC		
	Voltage proof	100V AC for 1 minute		
Mechanical performance	Terminal strength	5N for 1 minute		
	Actuator strength	Rotational direction	0.6N·m	
		Push direction	100N	
	Wobble of actuator (load at the tip of shaft: 1N)	Measuring position from mounting surface	10mm	
		Shaft wobble (max. value)	0.2mm max.	

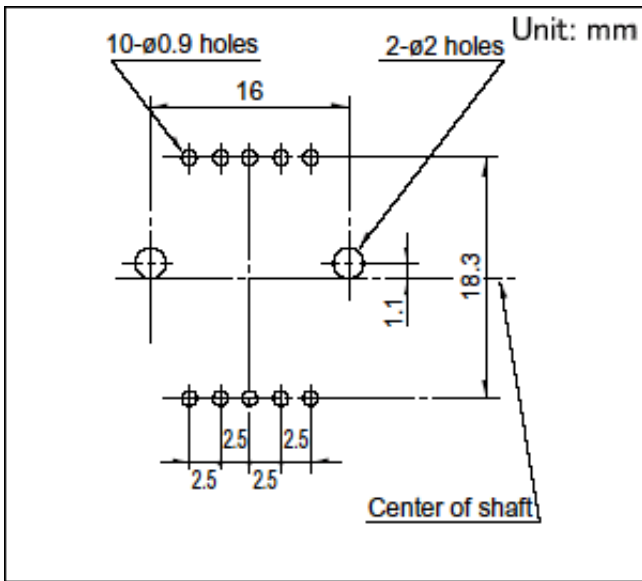
Applicable mounting 15mm
dimension

Durability	Operating life without load	10,000 cycles 100mΩ max.
	Operating life with load (at max. rated load)	10,000 cycles 150mΩ max.
Environmental performance	Cold	-20±2°C for 96h
	Dry heat	85±2°C for 96h
	Damp heat	40±2°C, 90 to 95%RH for 96h
Minimum order unit (pcs.)	Japan	165
	Export	330

Dimensions

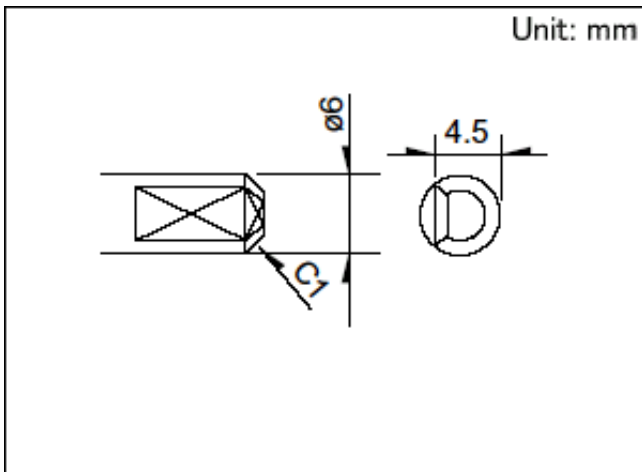


Mounting Hole Dimensions



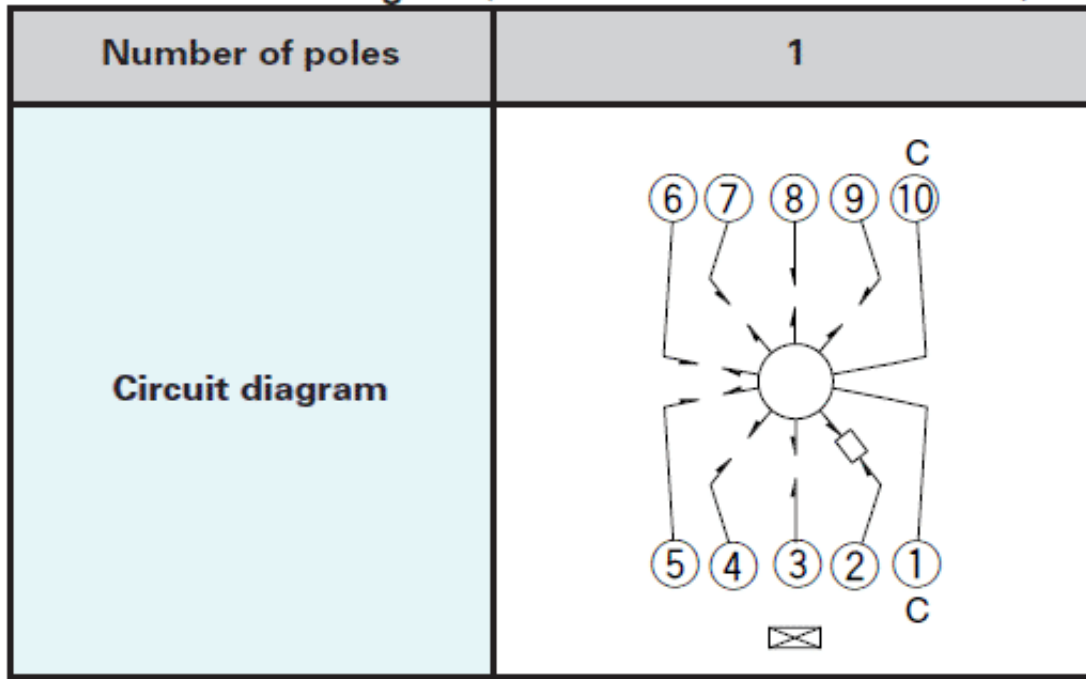
Viewed from direction A in the dimensions.

Operation Part Details (a)



Circuit Diagram

Standard Circuit Diagram (Viewed from the Direction A)



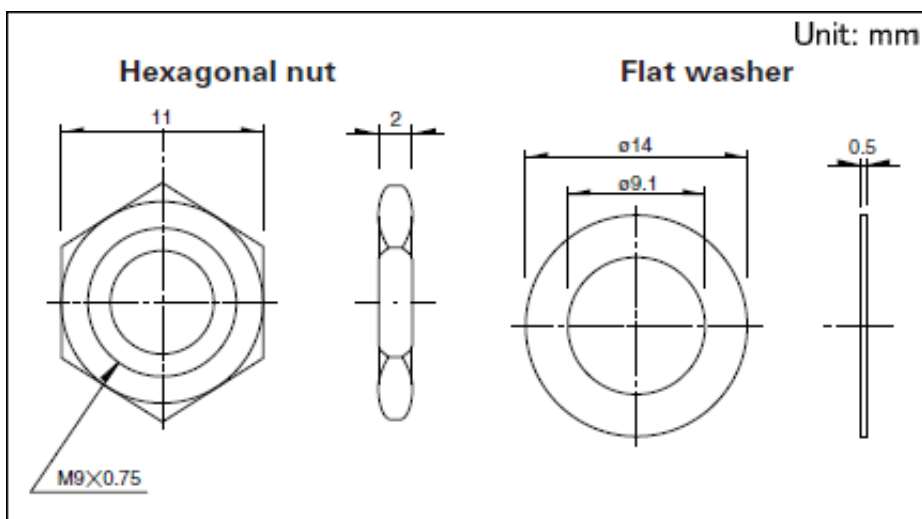
Packing Specifications

Bulk

Number of packages (pcs.)	1 case / Japan	165
	1 case / export packing	330

Export package measurements (mm) 400×270×185

Attached Parts



The following parts are included with the product.

Soldering Conditions

Reference for Dip Soldering

Items	Preheating temperature	-
	Preheating time	-
Dip soldering	Soldering temperature	260±5°C
	Duration of immersion	10±1s

Reference for Hand Soldering

Soldering temperature	350±10°C
Soldering time	3+1/0s

Notes are common to this series/models.

1. This site catalog shows only outline specifications. When using the products, please obtain formal specifications for supply.
2. Please place purchase orders per minimum order unit (integer).
3. Products other than those listed in the above chart are also available. Please contact us for details.
4. This products can be used in vehicles.
Although these products are designed to perform over a wide operating temperature range, please ensure that you receive and read the formal delivery specifications before use.