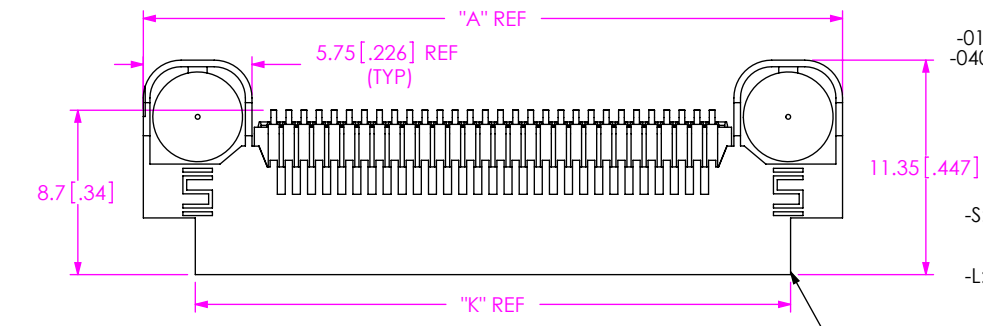


DO NOT SCALE FROM THIS PRINT



No OF POSITIONS (PER ROW)  
 -010, -011, -013, -020, -025, -030, -037  
 -040, -049, -050, \*-053, -060, -070, -075,  
 \*-053 MATES WITH ERCDA

LEAD STYLE  
 -01: 1.58 [0.062] BOARD  
 -03: 2.36 [0.093] BOARD

PLATING SPECIFICATION  
 -S: 30µm SELECTIVE GOLD IN CONTACT AREA, MATTE TIN ON TAIL (USE C-231-02-S, C-231-03-S)  
 -L: 10µm SELECTIVE GOLD IN CONTACT AREA, MATTE TIN ON TAIL (USE C-231-02-L, C-231-03-L)

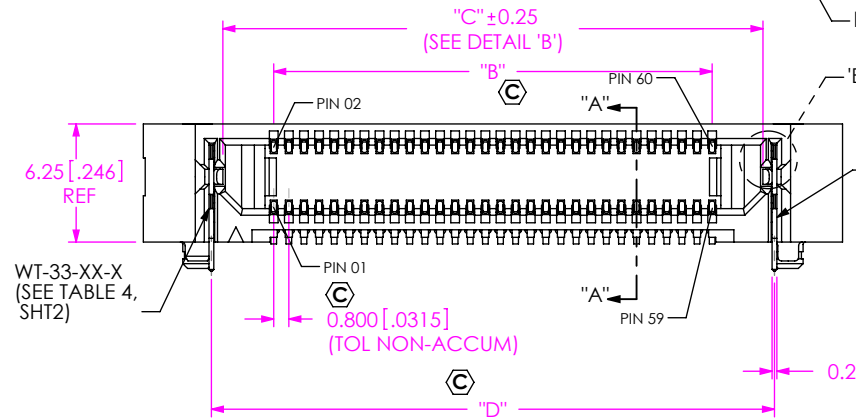
OPTION  
 -TR: TAPE & REEL (STANDARD PACKAGING) (SEE NOTE 4)

OPTION  
 -L: LATCHES (SEE FIG 2, SHT 2)  
 -EGP: EXTENDED GUIDE POSTS (NOT AVAILABLE WITH -L OPTION) (SEE NOTE 9)

-RA: RIGHT ANGLE

ROW SPECIFICATION  
 -D: DOUBLE (USE ERF8-XXX-01-D-RA)

\*\* NOT RELEASED FOR PRODUCTION



ERF8-XXX-01-D-RA

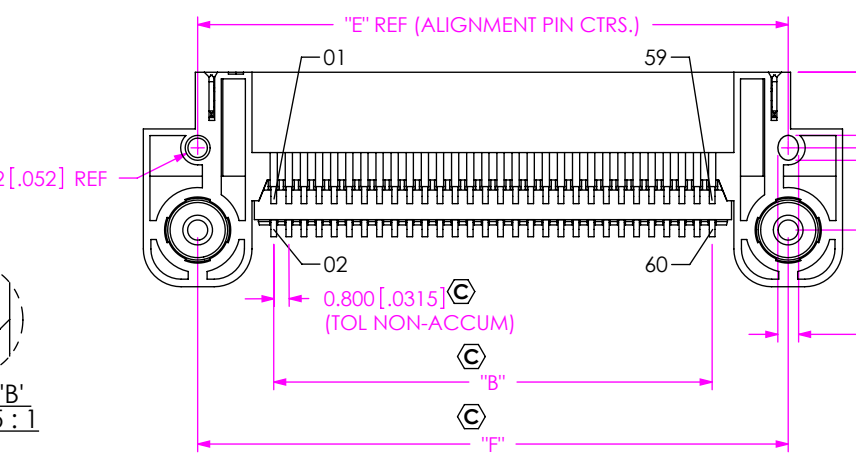
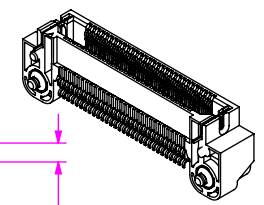
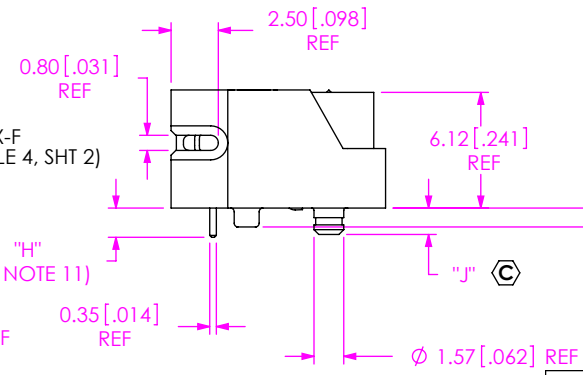


FIG 1  
 ERF8-030-01-X-D-RA SHOWN

NOTES:

- ⊕ REPRESENTS A CRITICAL DIMENSION.
- MAXIMUM BURR ALLOWANCE: 0.02[0.001]
- MINIMUM PUSHOUT /PULLOUT FORCE: SIGNAL: 2.22 N [0.5 LB.], LATCH AND COUNTERWEIGHT: 4.45 N [1.0 LB.]
- FOR QUANTITIES UP TO 49 PIECES, NO LEADER, TRAILER, OR EIA-481-D REEL WILL BE SUPPLIED. FOR QUANTITIES FROM 50-124 PIECES, NO LEADER OR TRAILER WILL BE SUPPLIED.
- MEASURE AT BEND TANGENCY.
- MEASURED ON PINS ONLY, INSULATOR NOT INCLUDED IN MEASUREMENT.
- ALL DIMENSIONS SYMMETRIC ABOUT  $\varnothing$  EXCEPT AS SHOWN.
- DELETED
- BOTH NON AND -EGP OPTION PARTS ARE IDENTICAL, THUS INTERCHANGEABLE
- DIMENSIONS MUST BE MEASURED BOTH ENDS OF COMB OR CONNECTOR.
- USE -Z- DATUM ZONE FOR MEASUREMENTS ONLY.
- SEE PTL SYSTEM FOR REQUIRED INSPECTION FIXTURE TO CHECK TAIL CRITICALS.

| LEAD STYLE | "H"          | "J"          |
|------------|--------------|--------------|
| -01        | 1.55 [0.061] | 1.40 [0.055] |
| -03        | 2.34 [0.092] | 2.19 [0.086] |



| POSITION | "A"           | "B"           | "C"           | "D"           | "E"           | "F"           | "K"         |
|----------|---------------|---------------|---------------|---------------|---------------|---------------|-------------|
| -010     | 21.00 [0.827] | 7.20 [0.283]  | 12.54 [0.494] | 13.80 [0.543] | 15.25 [0.600] | 15.25 [0.600] | 15.5 [0.61] |
| -011     | 21.80 [0.858] | 8.00 [0.315]  | 13.34 [0.525] | 14.60 [0.575] | 16.05 [0.632] | 16.05 [0.632] | 16.3 [0.64] |
| -013     | 23.40 [0.921] | 9.60 [0.378]  | 14.94 [0.588] | 16.20 [0.638] | 17.65 [0.695] | 17.65 [0.695] | 17.9 [0.70] |
| -020     | 29.00 [1.142] | 15.20 [0.598] | 20.54 [0.809] | 21.80 [0.858] | 23.25 [0.915] | 23.25 [0.915] | 23.5 [0.93] |
| -025     | 33.00 [1.299] | 19.20 [0.756] | 24.54 [0.966] | 25.80 [1.016] | 27.25 [1.073] | 27.25 [1.073] | 27.5 [1.08] |
| -030     | 37.00 [1.457] | 23.20 [0.913] | 28.54 [1.124] | 29.80 [1.173] | 31.25 [1.230] | 31.25 [1.230] | 31.5 [1.24] |
| -037     | 42.80 [1.677] | 28.80 [1.134] | 34.14 [1.344] | 35.40 [1.394] | 36.85 [1.451] | 36.85 [1.451] | 37.1 [1.46] |
| -040     | 45.00 [1.772] | 31.20 [1.228] | 36.54 [1.439] | 37.80 [1.488] | 39.25 [1.545] | 39.25 [1.545] | 39.5 [1.56] |
| -049     | 52.20 [2.055] | 38.40 [1.512] | 43.74 [1.722] | 45.00 [1.772] | 46.45 [1.829] | 46.45 [1.829] | 46.7 [1.84] |
| -050     | 53.00 [2.087] | 39.20 [1.543] | 44.54 [1.754] | 45.80 [1.803] | 47.25 [1.860] | 47.25 [1.860] | 47.5 [1.87] |
| *-053    | 55.40 [2.181] | 41.60 [1.638] | 46.94 [1.848] | 48.20 [1.898] | 49.65 [1.955] | 49.65 [1.955] | 49.9 [1.96] |
| -060     | 61.00 [2.402] | 47.20 [1.858] | 52.54 [2.069] | 53.80 [2.118] | 55.25 [2.175] | 55.25 [2.175] | 55.5 [2.19] |
| -070     | 69.00 [2.717] | 55.20 [2.173] | 60.54 [2.383] | 61.80 [2.433] | 63.25 [2.490] | 63.25 [2.490] | 63.5 [2.50] |
| -075     | 73.00 [2.874] | 59.20 [2.331] | 64.54 [2.541] | 65.80 [2.591] | 67.25 [2.648] | 67.25 [2.648] | 67.5 [2.66] |

\*\* NOT RELEASED FOR PRODUCTION

UNLESS OTHERWISE SPECIFIED, DIMENSIONS ARE IN MILLIMETERS [INCHES]. TOLERANCES ARE:  
 DECIMALS: .X: ±0.3 [0.01]  
 .XX: ±0.13 [0.005]  
 .XXX: ±0.050 [0.0020]

PROPRIETARY NOTE  
 THIS DOCUMENT CONTAINS CONFIDENTIAL AND PROPRIETARY INFORMATION AND ALL DESIGN, MANUFACTURING, REPRODUCTION, USE, PATENT RIGHTS AND SALES RIGHTS ARE EXPRESSLY RESERVED BY SAMTEC, INC. THIS DOCUMENT SHALL NOT BE DISCLOSED, IN WHOLE OR PART, TO ANY UNAUTHORIZED PERSON OR ENTITY NOR REPRODUCED, TRANSMITTED OR INCORPORATED IN ANY OTHER PROJECT IN ANY MANNER WITHOUT THE EXPRESS WRITTEN CONSENT OF SAMTEC, INC.



520 PARK EAST BLVD, NEW ALBANY, IN 47150  
 PHONE: 812-944-6733 FAX: 812-948-5047  
 e-Mail: info@SAMTEC.com code 55322

MATERIAL: DO NOT SCALE DRAWING  
 INSULATOR: LCP UL94V-0, COLOR BLACK  
 CONTACTS: BeCu  
 COUNTERWEIGHT: BRASS  
 LATCHES: BeCu

SHEET SCALE: 2:1

DESCRIPTION:  
 0.8mm DUAL ROW RIGHT ANGLE SOCKET ASSEMBLY  
 DWG. NO.  
**ERF8-XXX-XX-X-D-RA-XXX-TR**

| OPTION                      | STYLE | BODY CALLOUT     | CONTACTS   | COUNTERWEIGHT | WELD TABS  |
|-----------------------------|-------|------------------|------------|---------------|------------|
| NONE / -EGP<br>(SEE NOTE 9) | -01   | ERF8-XXX-01-D-RA | C-231-02-X | T-1R37-01-X   | WT-33-05-T |
|                             |       |                  | C-231-03-X |               | WT-33-06-T |
|                             | -03   | ERF8-XXX-01-D-RA | C-231-02-X | T-1R37-02-X   | WT-33-07-T |
|                             |       |                  | C-231-03-X |               | WT-33-08-T |
| -L                          | -01   | ERF8-XXX-01-D-RA | C-231-02-X | T-1R37-01-X   | WT-33-01-F |
|                             |       |                  | C-231-03-X |               | WT-33-02-F |
|                             | -03   | ERF8-XXX-01-D-RA | C-231-02-X | T-1R37-02-X   | WT-33-03-F |
|                             |       |                  | C-231-03-X |               | WT-33-04-F |

| POSITION | "G"   |         |
|----------|-------|---------|
| -010     | 11.14 | [.439]  |
| -011     | 11.94 | [.470]  |
| -013     | 13.54 | [.533]  |
| -020     | 19.14 | [.754]  |
| -025     | 23.14 | [.911]  |
| -030     | 27.14 | [1.069] |
| -037     | 32.74 | [1.289] |
| -040     | 35.14 | [1.383] |
| -49      | 42.34 | [1.667] |
| -050     | 43.14 | [1.698] |
| **053    | 45.54 | [1.793] |
| -060     | 51.14 | [2.013] |
| -070     | 59.14 | [2.328] |
| -075     | 63.14 | [2.486] |

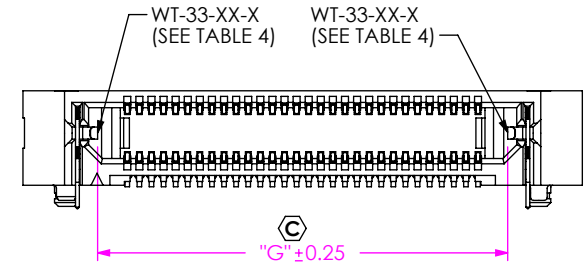
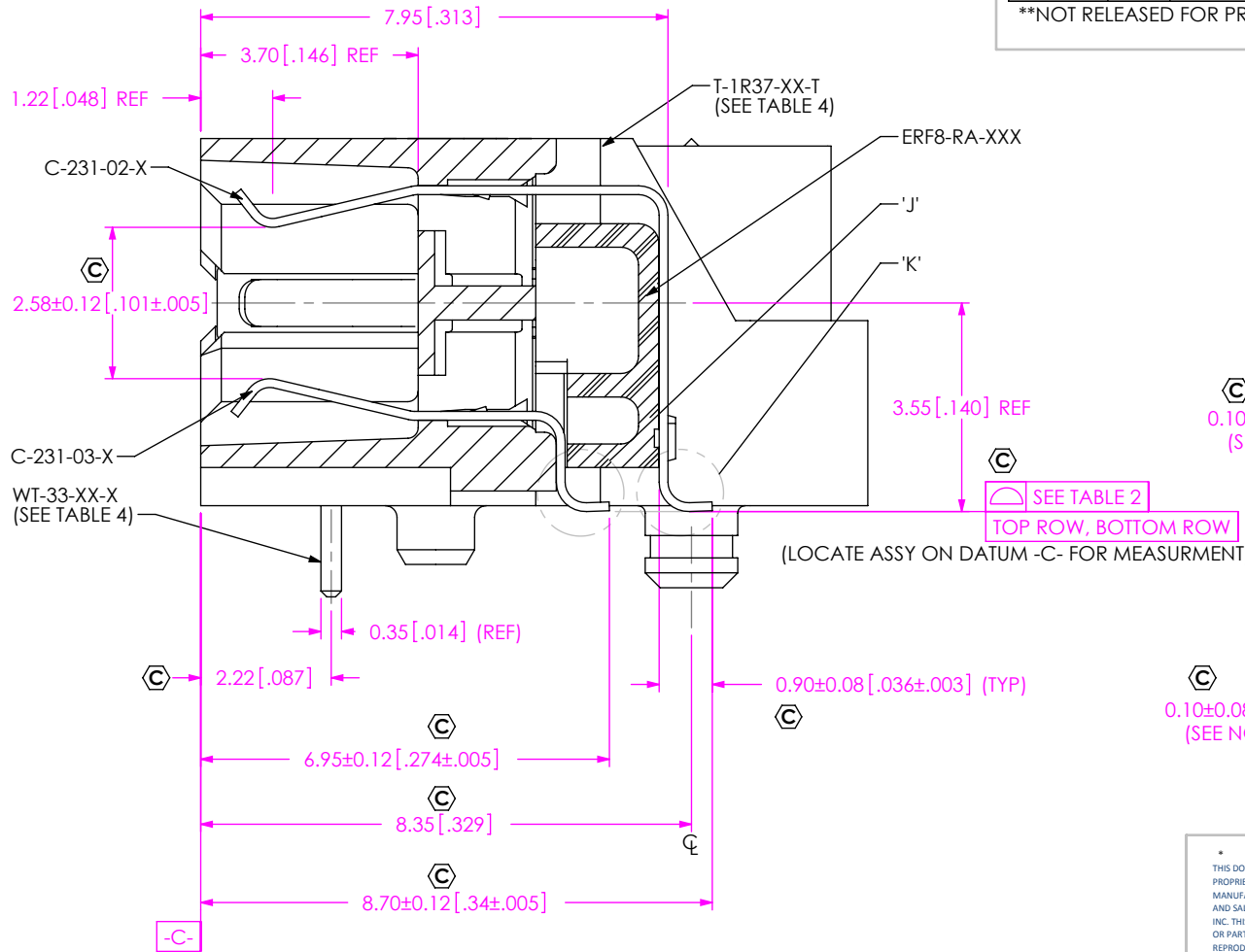


FIG 2  
ERF8-030-01-X-D-RA-L SHOWN  
(DIFFERENT AS SHOWN, OTHERWISE SAME AS FIG 1)

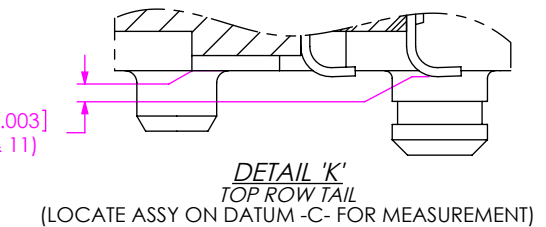
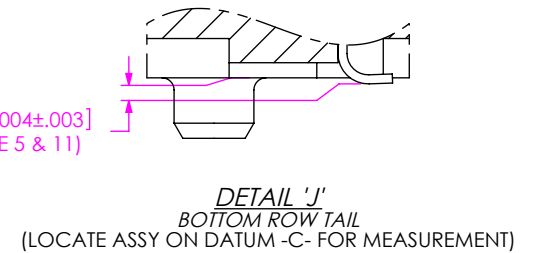
\*\*NOT RELEASED FOR PRODUCTION

| No OF POSITIONS | BOTTOM ROW STRAIGHTNESS | TOP ROW STRAIGHTNESS | COPLANARITY |
|-----------------|-------------------------|----------------------|-------------|
| -010 THRU **053 | 0.08 [.003]             | 0.08 [.003]          | 0.10 [.004] |
| -060 THRU -075  | 0.10 [.004]             | 0.10 [.004]          | 0.15 [.006] |

\*\* NOT RELEASED FOR PRODUCTION



SECTION "A"-"A"  
SCALE 8 : 1



**PROPRIETARY NOTE**  
THIS DOCUMENT CONTAINS CONFIDENTIAL AND PROPRIETARY INFORMATION AND ALL DESIGN, MANUFACTURING, REPRODUCTION, USE, PATENT RIGHTS AND SALES RIGHTS ARE EXPRESSLY RESERVED BY SAMTEC, INC. THIS DOCUMENT SHALL NOT BE DISCLOSED, IN WHOLE OR IN PART, TO ANY UNAUTHORIZED PERSON OR ENTITY NOR REPRODUCED, TRANSFERRED OR INCORPORATED IN ANY OTHER PROJECT IN ANY MANNER WITHOUT THE EXPRESS WRITTEN CONSENT OF SAMTEC, INC.

DO NOT SCALE DRAWING

SHEET SCALE: 6:1

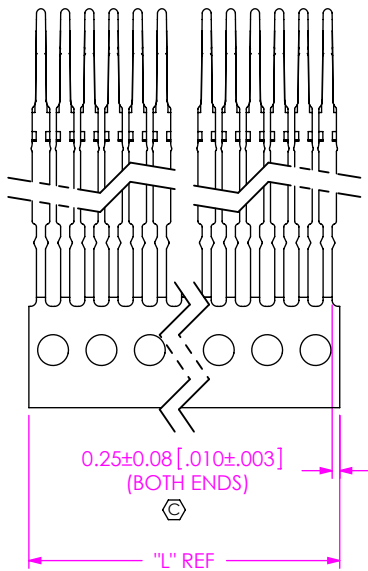


520 PARK EAST BLVD. NEW ALBANY, IN 47150  
PHONE: 812-944-6733 FAX: 812-948-5047  
e-Mail: info@SAMTEC.com code 55322

DESCRIPTION:  
0.8mm DUAL ROW RIGHT ANGLE SOCKET ASSEMBLY

DWG. NO.  
ERF8-XXX-XX-X-D-RA-XXX-TR

BY: D BOYCE 08-10-2010 SHEET 2 OF 6

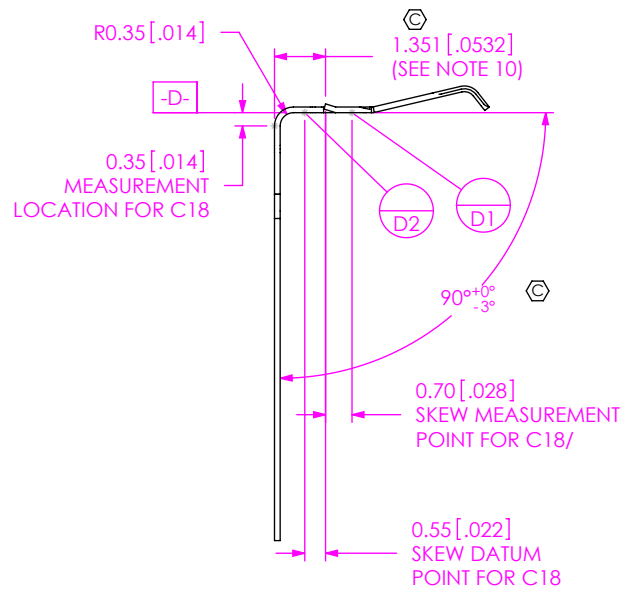


**TABLE 6**

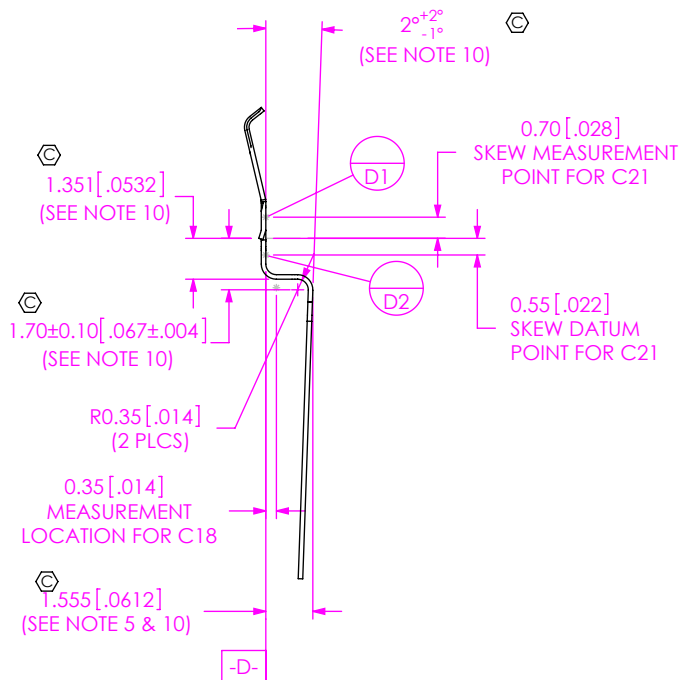
| POSITION | "L"   |         |
|----------|-------|---------|
| -010     | 8.00  | [.315]  |
| -011     | 8.80  | [.3460] |
| -013     | 10.10 | [.398]  |
| -020     | 16.00 | [.63]   |
| -025     | 20.00 | [.787]  |
| -030     | 24.00 | [.945]  |
| -037     | 29.60 | [1.165] |
| -040     | 32.00 | [1.26]  |
| -49      | 39.20 | [1.543] |
| -050     | 40.00 | [1.575] |
| **-.053  | 42.40 | [1.669] |
| -060     | 48.00 | [1.89]  |
| -070     | 56.00 | [2.205] |
| -075     | 60.00 | [2.362] |

(\*\* = NOT RELEASE FOR PRODUCTION)

IN PROCESS 1 & 7  
(COMB CUT CONTACT  
C-231-03-X & C-231-02-X)

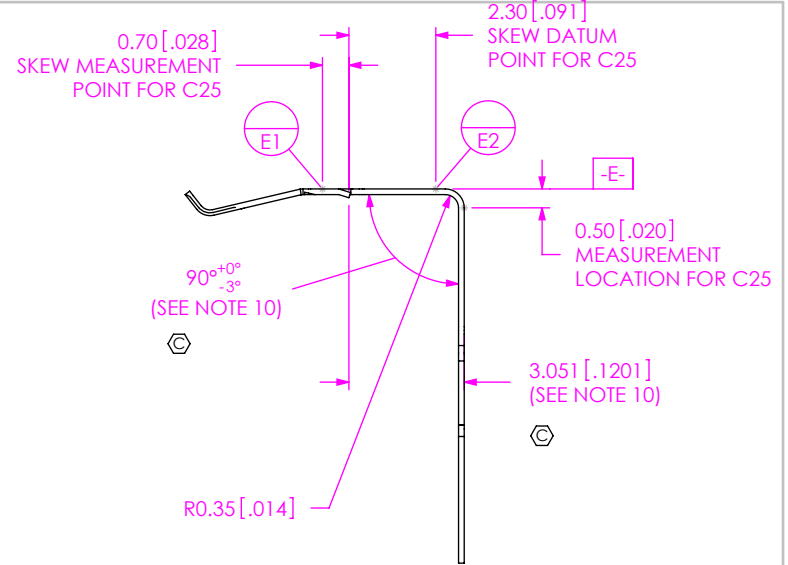


IN-PROCESS 2  
(FORM 1 CONTACT C-231-03-X)

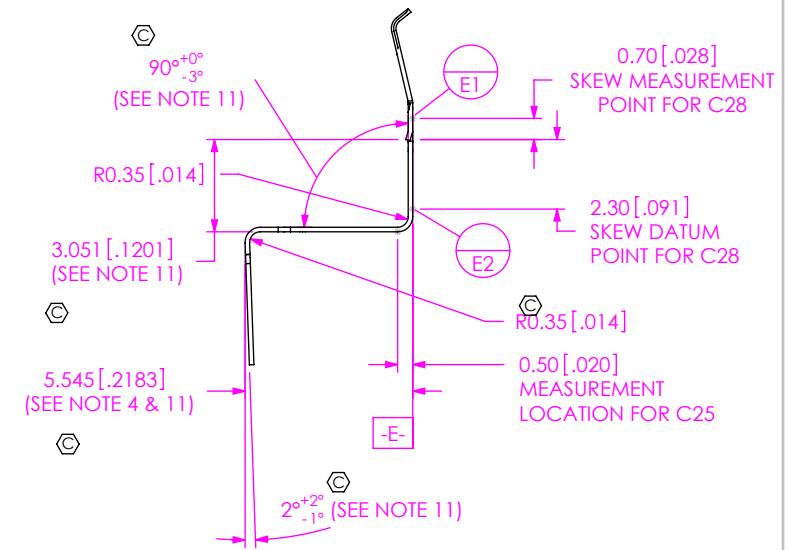


IN-PROCESS 3  
(FORM 2 CONTACT C-231-03-X)

F:\DWG\MISC\MKTG\ERF8-XXX-XX-X-D-RA-XXX-TR-MKT.SLDDRW



IN-PROCESS 8  
(FORM 1 CONTACT C-231-02-X)



IN-PROCESS 9  
(FORM 2 CONTACT C-231-02-X)

**PROPRIETARY NOTE**  
THIS DOCUMENT CONTAINS CONFIDENTIAL AND PROPRIETARY INFORMATION AND ALL DESIGN, MANUFACTURING, REPRODUCTION, USE, PATENT RIGHTS AND SALES RIGHTS ARE EXPRESSLY RESERVED BY SAMTEC, INC. THIS DOCUMENT SHALL NOT BE DISCLOSED, IN WHOLE OR PART, TO ANY UNAUTHORIZED PERSON OR ENTITY NOR REPRODUCED, TRANSFERRED OR INCORPORATED IN ANY OTHER PROJECT IN ANY MANNER WITHOUT THE EXPRESS WRITTEN CONSENT OF SAMTEC, INC.

DO NOT SCALE DRAWING

SHEET SCALE: 4:1

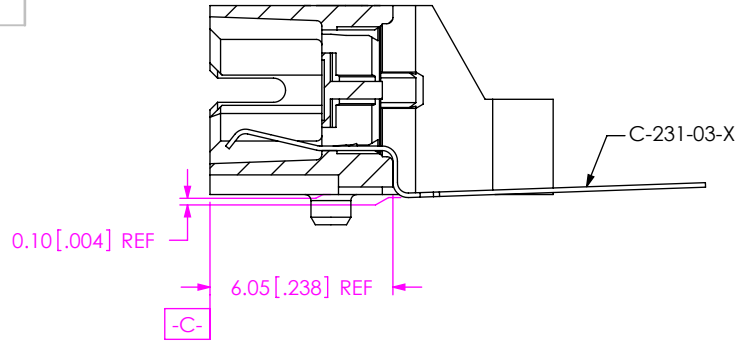


520 PARK EAST BLVD, NEW ALBANY, IN 47150  
PHONE: 812-944-6733 FAX: 812-948-5047  
e-Mail info@SAMTEC.com code 55322

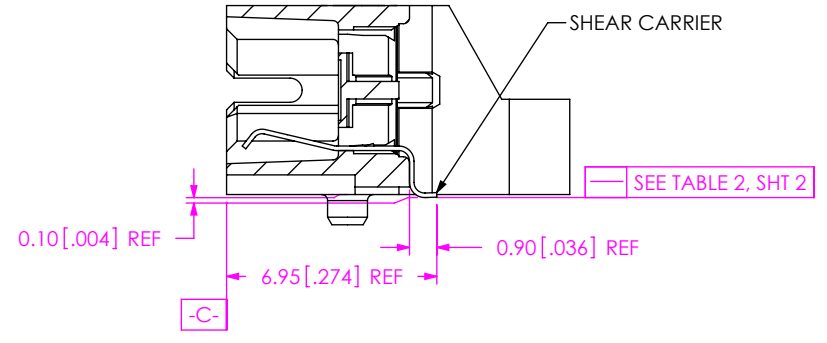
DESCRIPTION:  
0.8mm DUAL ROW RIGHT ANGLE SOCKET ASSEMBLY

DWG. NO.  
**ERF8-XXX-XX-X-D-RA-XXX-TR**

BY: D BOYCE 08-10-2010 SHEET 3 OF 6

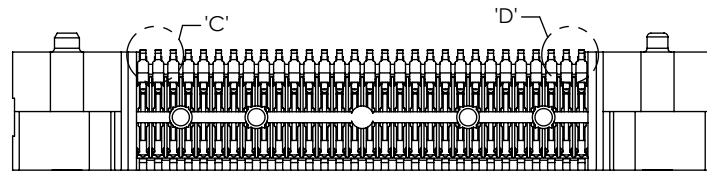
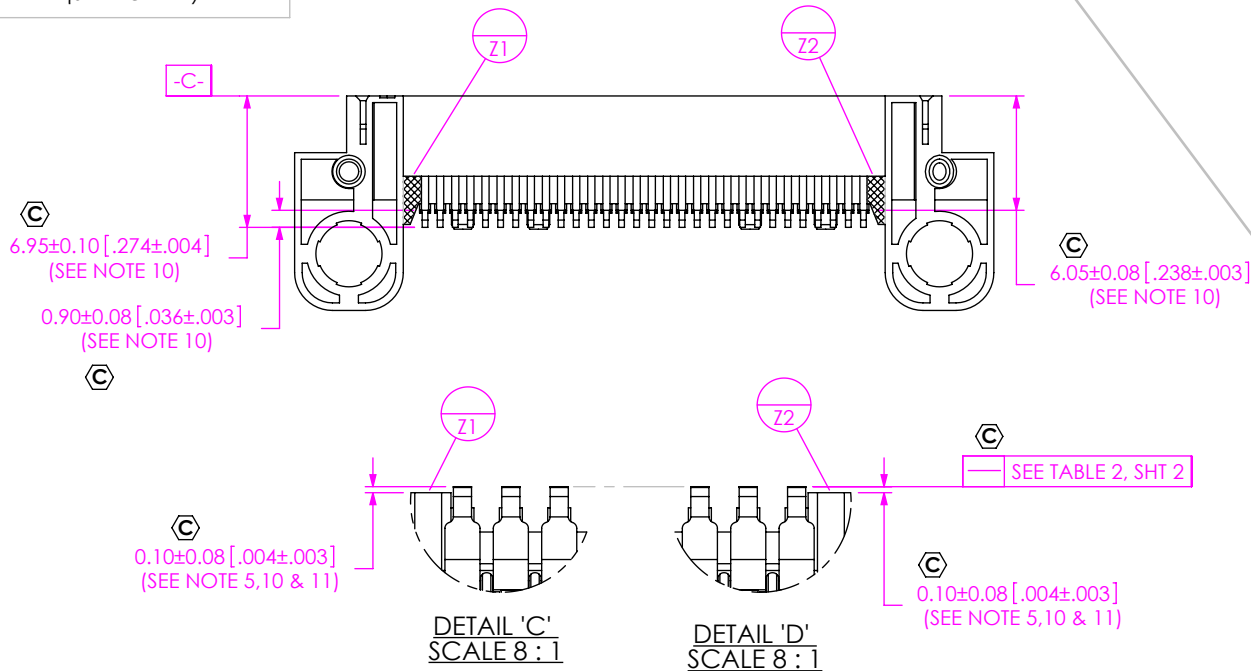


IN-PROCESS 4  
(FILL BOTTOM ROW)  
(SEE INSPECTION VIEW 1 FOR ASSEMBLY ORIENTATION AND CPC'S)



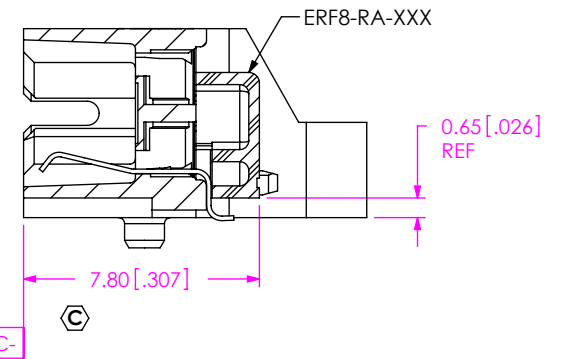
IN-PROCESS 5  
(CUTOFF OF CARRIER)  
(SEE INSPECTION VIEW 1 FOR ASSEMBLY ORIENTATION AND CPC'S)

INSPECTION VIEW 1  
(SEE NOTE 12)



INSPECTION FOR IN-PROCESS 4 & 5  
(CARRIER NOT SHOWN FOR IN PROCESS 4 INSPECTIONS)

F:\DWG\MISC\MKTG\ERF8-XXX-XX-X-D-RA-XXX-TR-MKT.SLDDRW



IN-PROCESS 6  
(FILL ERF8-RA-XXX)

**PROPRIETARY NOTE**  
THIS DOCUMENT CONTAINS CONFIDENTIAL AND PROPRIETARY INFORMATION AND ALL DESIGN, MANUFACTURING, REPRODUCTION, USE, PATENT RIGHTS AND SALES RIGHTS ARE EXPRESSLY RESERVED BY SAMTEC, INC. THIS DOCUMENT SHALL NOT BE DISCLOSED, IN WHOLE OR PART, TO ANY UNAUTHORIZED PERSON OR ENTITY NOR REPRODUCED, TRANSFERRED OR INCORPORATED IN ANY OTHER PROJECT IN ANY MANNER WITHOUT THE EXPRESS WRITTEN CONSENT OF SAMTEC, INC.

DO NOT SCALE DRAWING

SHEET SCALE: 4:1

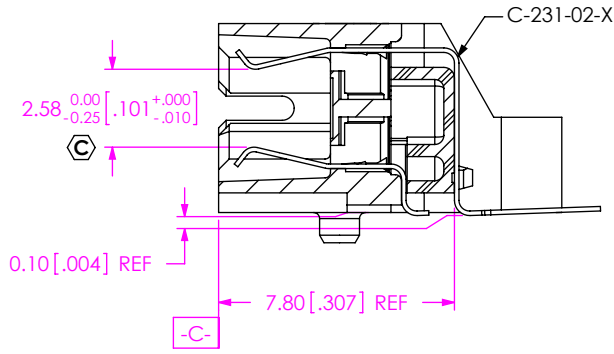


520 PARK EAST BLVD, NEW ALBANY, IN 47150  
PHONE: 812-944-6733 FAX: 812-948-5047  
e-Mail info@SAMTEC.com code 55322

DESCRIPTION:  
0.8mm DUAL ROW RIGHT ANGLE SOCKET ASSEMBLY

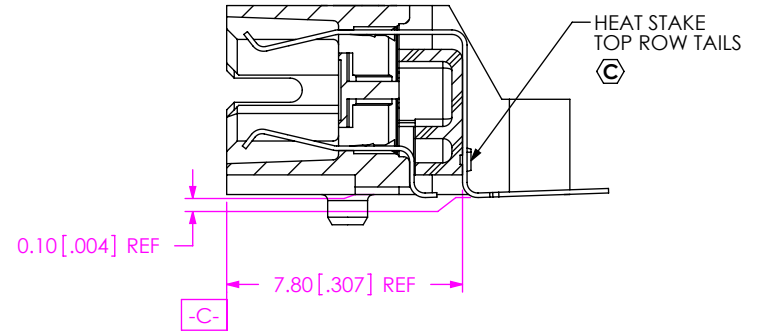
DWG. NO.  
ERF8-XXX-XX-X-D-RA-XXX-TR

BY: D BOYCE 08-10-2010 SHEET 4 OF 6



**IN-PROCESS 10**  
(FILL TOP ROW)

(SEE INSPECTION VIEW 2 FOR ASSEMBLY ORIENTATION AND CPC'S)

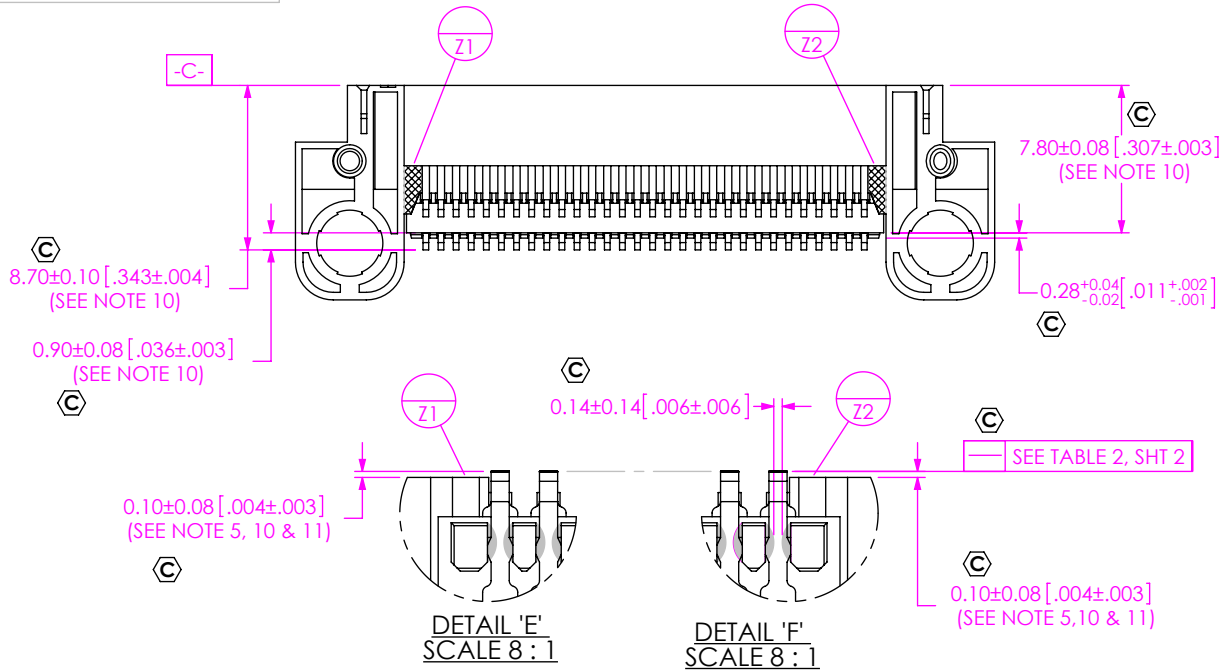


**IN-PROCESS 11**

(HEAT STAKE TOP ROW CONTACTS)

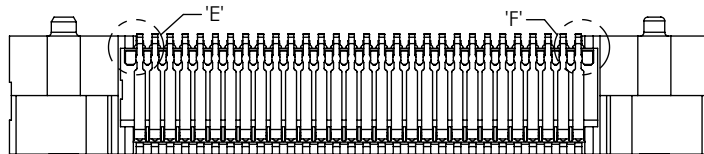
(SEE INSPECTION VIEW 2 FOR ASSEMBLY ORIENTATION AND CPC'S)

**INSPECTION VIEW 2**  
(SEE NOTE 12)



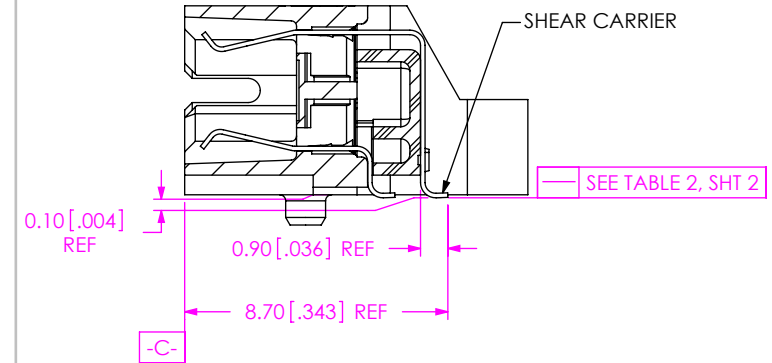
**DETAIL 'E'**  
SCALE 8:1

**DETAIL 'F'**  
SCALE 8:1



**INSPECTION FOR IN-PROCESS 10, 11 & 12**  
(CARRIER NOT SHOWN FOR IN PROCESS 10 & 11 INSPECTIONS)

F:\DWG\MISC\MKTG\ERF8-XXX-XX-X-D-RA-XXX-TR-MKT.SLDDRW



**PROPRIETARY NOTE**  
THIS DOCUMENT CONTAINS CONFIDENTIAL AND PROPRIETARY INFORMATION AND ALL DESIGN, MANUFACTURING, REPRODUCTION, USE, PATENT RIGHTS AND SALES RIGHTS ARE EXPRESSLY RESERVED BY SAMTEC, INC. THIS DOCUMENT SHALL NOT BE DISCLOSED, IN WHOLE OR PART, TO ANY UNAUTHORIZED PERSON OR ENTITY NOR REPRODUCED, TRANSFERRED OR INCORPORATED IN ANY OTHER PROJECT IN ANY MANNER WITHOUT THE EXPRESS WRITTEN CONSENT OF SAMTEC, INC.

DO NOT SCALE DRAWING

SHEET SCALE: 4:1

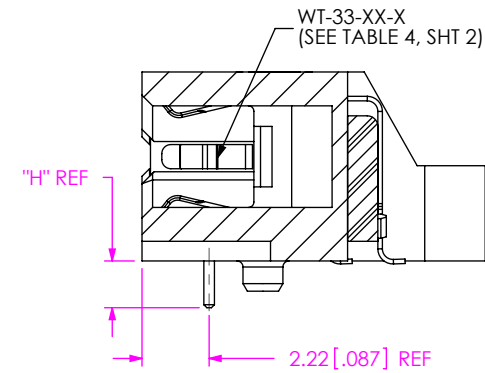
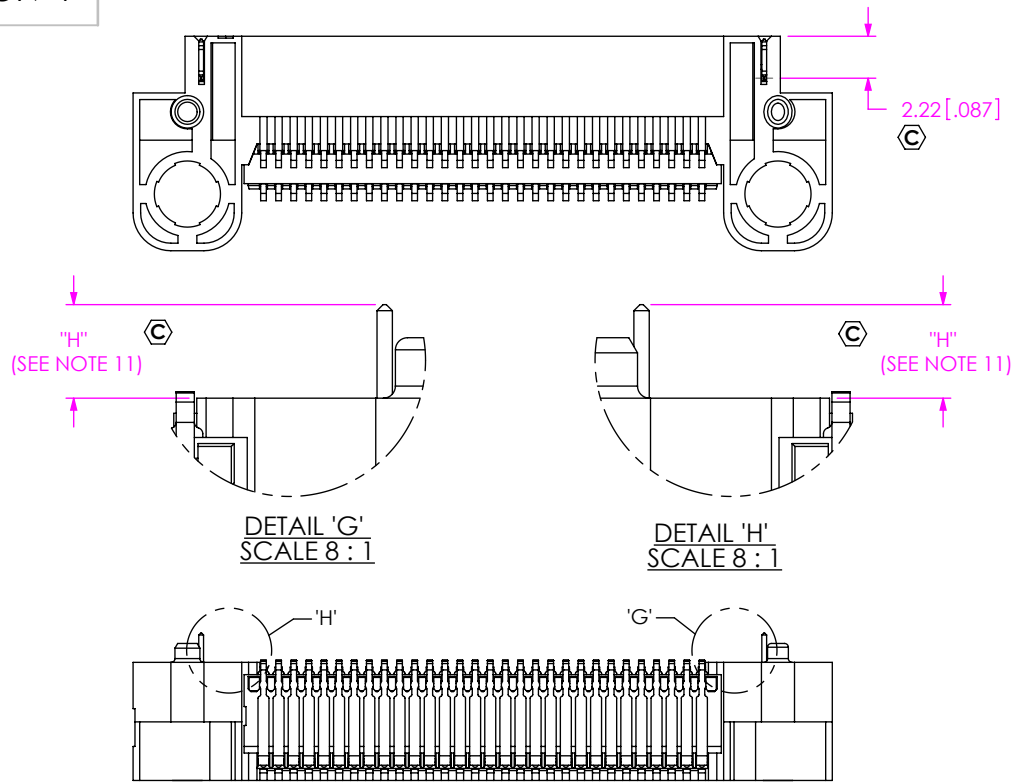


520 PARK EAST BLVD, NEW ALBANY, IN 47150  
PHONE: 812-944-6733 FAX: 812-948-5047  
e-Mail info@SAMTEC.com code 55322

DESCRIPTION:  
0.8mm DUAL ROW RIGHT ANGLE SOCKET ASSEMBLY

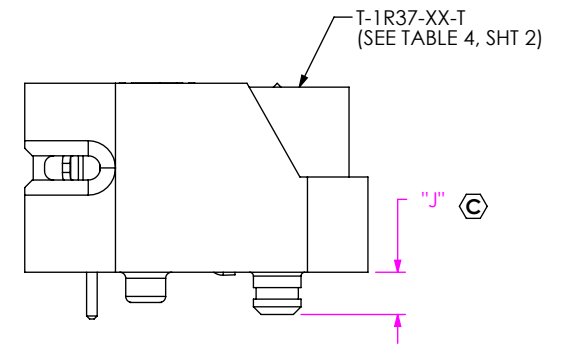
DWG. NO.  
**ERF8-XXX-XX-X-D-RA-XXX-TR**

BY: D BOYCE 08-10-2010 SHEET 5 OF 6



IN-PROCESS 13  
(FILL WT-33-XX-X)

IN-PROCESS 14  
(FILL T-1R37-XX-T)



**PROPRIETARY NOTE**  
THIS DOCUMENT CONTAINS CONFIDENTIAL AND PROPRIETARY INFORMATION AND ALL DESIGN, MANUFACTURING, REPRODUCTION, USE, PATENT RIGHTS AND SALES RIGHTS ARE EXPRESSLY RESERVED BY SAMTEC, INC. THIS DOCUMENT SHALL NOT BE DISCLOSED, IN WHOLE OR PART, TO ANY UNAUTHORIZED PERSON OR ENTITY NOR REPRODUCED, TRANSFERRED OR INCORPORATED IN ANY OTHER PROJECT IN ANY MANNER WITHOUT THE EXPRESS WRITTEN CONSENT OF SAMTEC, INC.

DO NOT SCALE DRAWING

SHEET SCALE: 4:1

**samtec**

520 PARK EAST BLVD, NEW ALBANY, IN 47150  
PHONE: 812-944-6733 FAX: 812-948-5047  
e-Mail: info@SAMTEC.com code 55322

DESCRIPTION:  
0.8mm DUAL ROW RIGHT ANGLE SOCKET ASSEMBLY

DWG. NO.  
ERF8-XXX-XX-X-D-RA-XXX-TR

BY: D BOYCE 08-10-2010 SHEET 6 OF 6