

TABLE 3

POS	"G"
-010	7.50
-011	7.90
-013	8.70
-020	11.50
-025	13.50
-030	15.50
-037	18.30
-040	19.50
-049	23.10
-050	23.50
-060	27.50
-070	31.50
-075	33.50

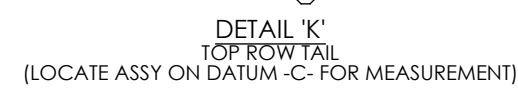


TABLE 2

No OF POSITIONS	BOTTOM ROW STRAIGHTNESS	TOP ROW STRAIGHTNESS	COPLANARITY
-010 THRU -050	0.08 [.003]	0.08 [.003]	0.10 [.004]
-060 THRU -075	0.10 [.004]	0.10 [.004]	0.15 [.006]

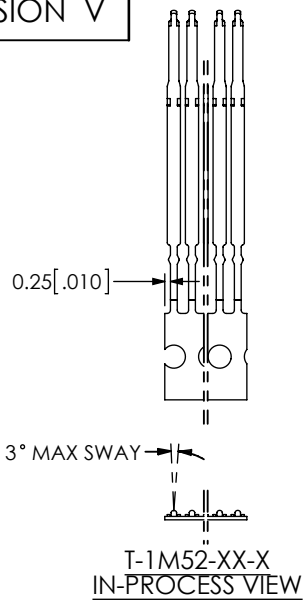
PROPRIETARY NOTE
THIS DOCUMENT CONTAINS INFORMATION CONFIDENTIAL AND PROPRIETARY TO SAMTEC, INC. AND SHALL NOT BE REPRODUCED OR TRANSFERRED TO OTHER DOCUMENTS OR DISCLOSED TO OTHERS OR USED FOR ANY PURPOSE OTHER THAN THAT WHICH IT WAS OBTAINED WITHOUT THE EXPRESSED WRITTEN CONSENT OF SAMTEC, INC.

520 PARK EAST BLVD, NEW ALBANY, IN 47150
PHONE: 812-944-6733 FAX: 812-948-5047
e-Mail: info@SAMTEC.com code 55322

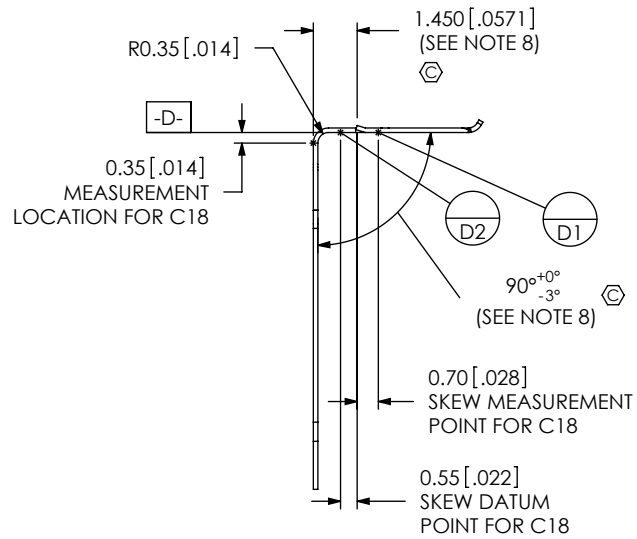
DO NOT SCALE DRAWING
SHEET SCALE: 8:1

DESCRIPTION:
.80mm DUAL ROW RIGHT ANGLE SOCKET ASSEMBLY
DWG. NO.
ERM8-XXX-XX-X-D-RA-XX-TR
BY: C. PIERCE 8/17/2007 SHEET 2 OF 7

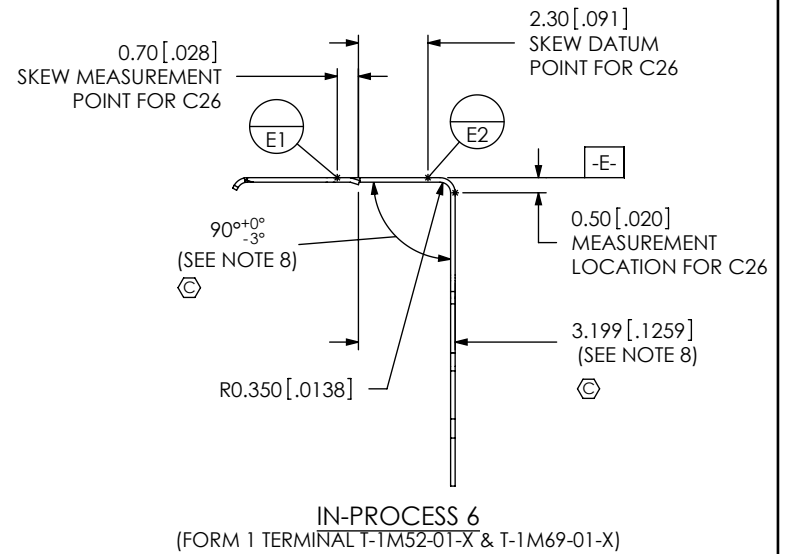
REVISION V



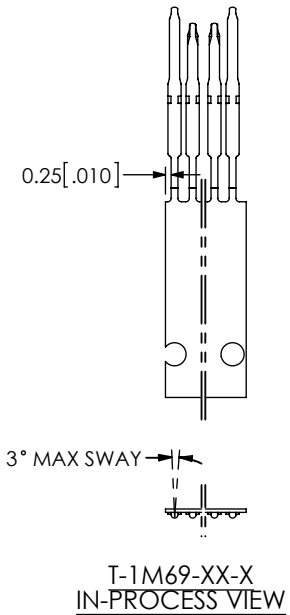
T-1M52-XX-X
IN-PROCESS VIEW



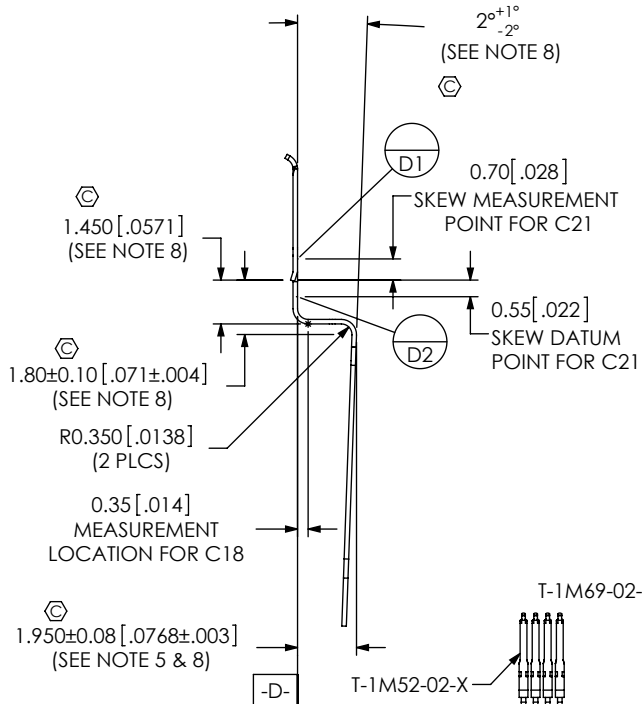
IN-PROCESS 1
(FORM 1 TERMINAL T-1M52-02-X & T-1M69-02-X)



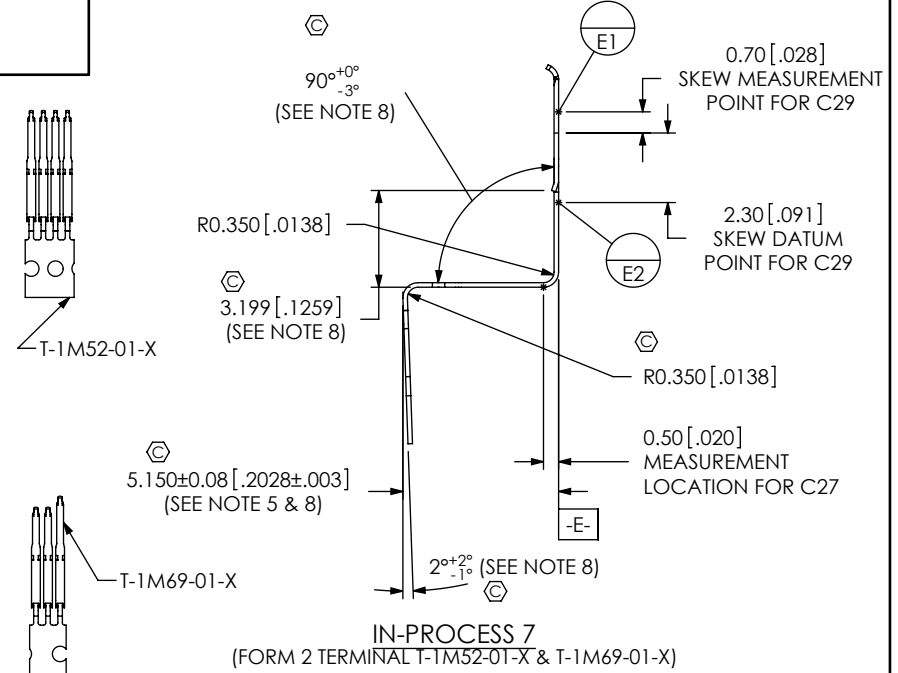
IN-PROCESS 6
(FORM 1 TERMINAL T-1M52-01-X & T-1M69-01-X)



T-1M69-XX-X
IN-PROCESS VIEW



IN-PROCESS 2
(FORM 2 TERMINAL T-1M52-02-X & T-1M69-02-X)



IN-PROCESS 7
(FORM 2 TERMINAL T-1M52-01-X & T-1M69-01-X)

F:\DWG\MISC\MKTG\ERM8-XXX-XX-X-D-RA-XX-TR-MKT.SLDDRW

PROPRIETARY NOTE

THIS DOCUMENT CONTAINS INFORMATION CONFIDENTIAL AND PROPRIETARY TO SAMTEC, INC. AND SHALL NOT BE REPRODUCED OR TRANSFERRED TO OTHER DOCUMENTS OR DISCLOSED TO OTHERS OR USED FOR ANY PURPOSE OTHER THAN THAT WHICH IT WAS OBTAINED WITHOUT THE EXPRESSED WRITTEN CONSENT OF SAMTEC, INC.

DO NOT SCALE DRAWING

SHEET SCALE: 4:1

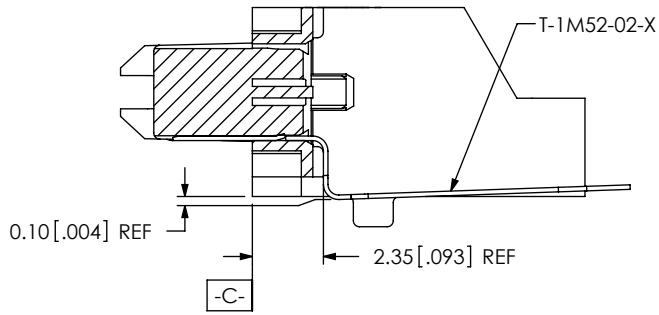
samtec

520 PARK EAST BLVD. NEW ALBANY, IN 47150
PHONE: 812-944-6733 FAX: 812-948-5047
e-Mail: info@SAMTEC.com code 55322

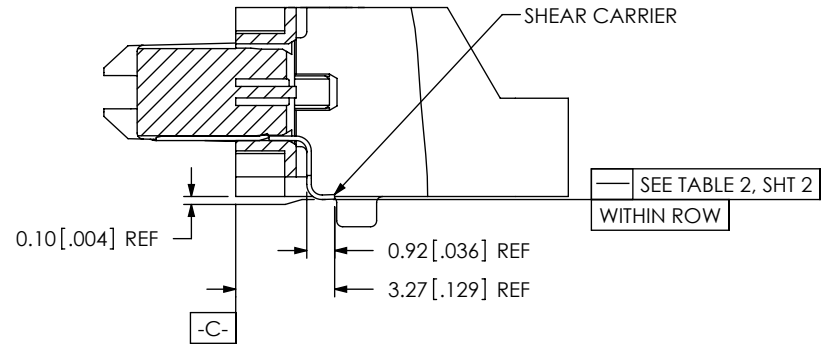
DESCRIPTION:
.80mm DUAL ROW RIGHT ANGLE SOCKET ASSEMBLY

DWG. NO.
ERM8-XXX-XX-X-D-RA-XX-TR

BY: C. PIERCE 8/17/2007 SHEET 3 OF 7

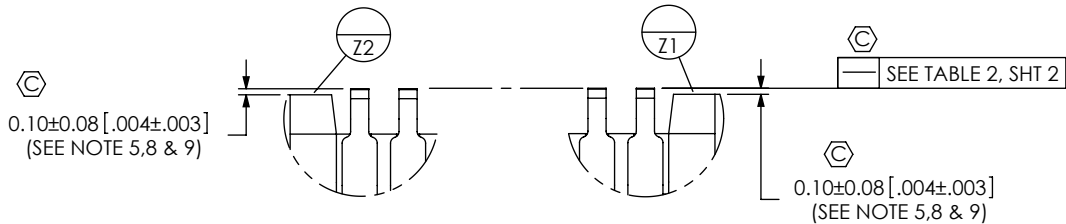
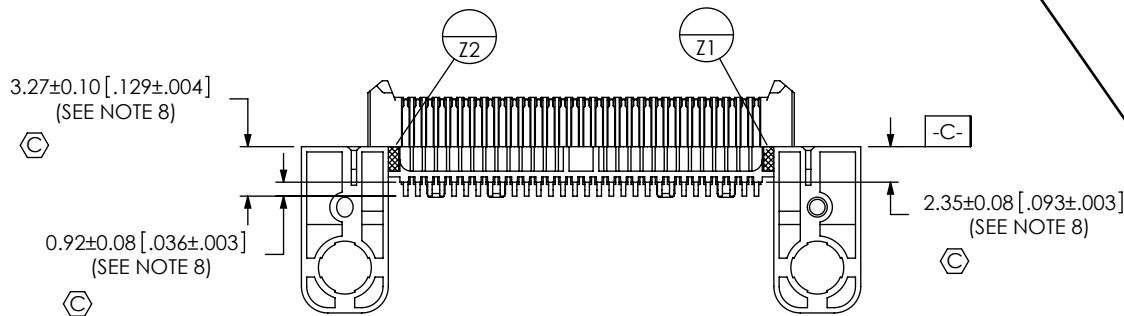


IN-PROCESS 3
(FILL BOTTOM ROW)
(SEE INSPECTION VIEW 1 FOR ASSEMBLY ORIENTATION AND CPC'S)



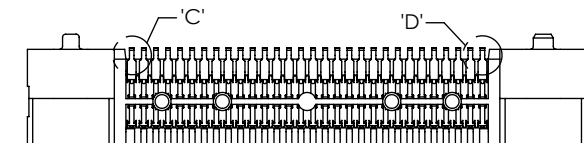
IN-PROCESS 4
(CUT OFF CARRIER)
(SEE INSPECTION VIEW 1 FOR ASSEMBLY ORIENTATION AND CPC'S)

INSPECTION VIEW 1
(SEE NOTE 10)

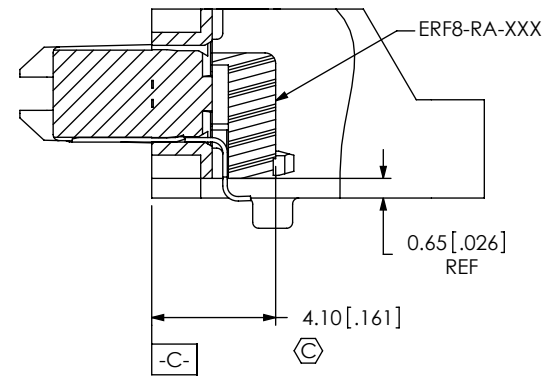


DETAIL 'C'
SCALE 8:1

DETAIL 'D'
SCALE 8:1



INSPECTION FOR IN-PROCESS 3 & 4
(CARRIER NOT SHOWN FOR IN PROCESS 3 INSPECTIONS)



IN-PROCESS 5
FILL ERF8-RA-XXX

F:\DWG\MISC\MKTG\ERM8-XXX-XX-X-D-RA-XX-TR-MKT.SLDDRW

PROPRIETARY NOTE

THIS DOCUMENT CONTAINS INFORMATION CONFIDENTIAL AND PROPRIETARY TO SAMTEC, INC. AND SHALL NOT BE REPRODUCED OR TRANSFERRED TO OTHER DOCUMENTS OR DISCLOSED TO OTHERS OR USED FOR ANY PURPOSE OTHER THAN THAT WHICH IT WAS OBTAINED WITHOUT THE EXPRESSED WRITTEN CONSENT OF SAMTEC, INC.

DO NOT SCALE DRAWING

SHEET SCALE: 4:1



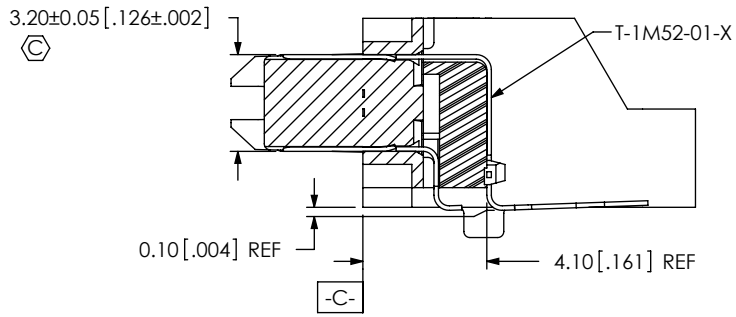
520 PARK EAST BLVD., NEW ALBANY, IN 47150
PHONE: 812-944-6733 FAX: 812-948-5047
e-Mail: info@SAMTEC.com code 55322

DESCRIPTION:
.80mm DUAL ROW RIGHT ANGLE SOCKET ASSEMBLY

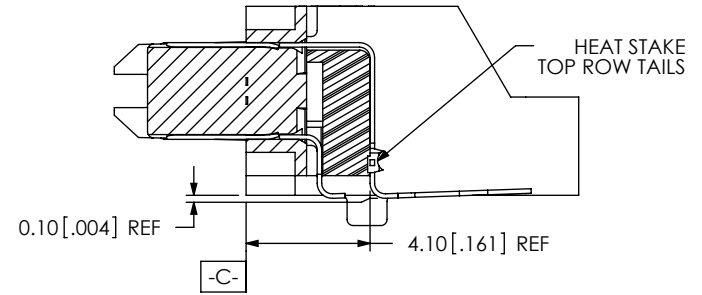
DWG. NO.
ERM8-XXX-XX-X-D-RA-XX-TR

BY: C. PIERCE 8/17/2007 SHEET 4 OF 7

REVISION V

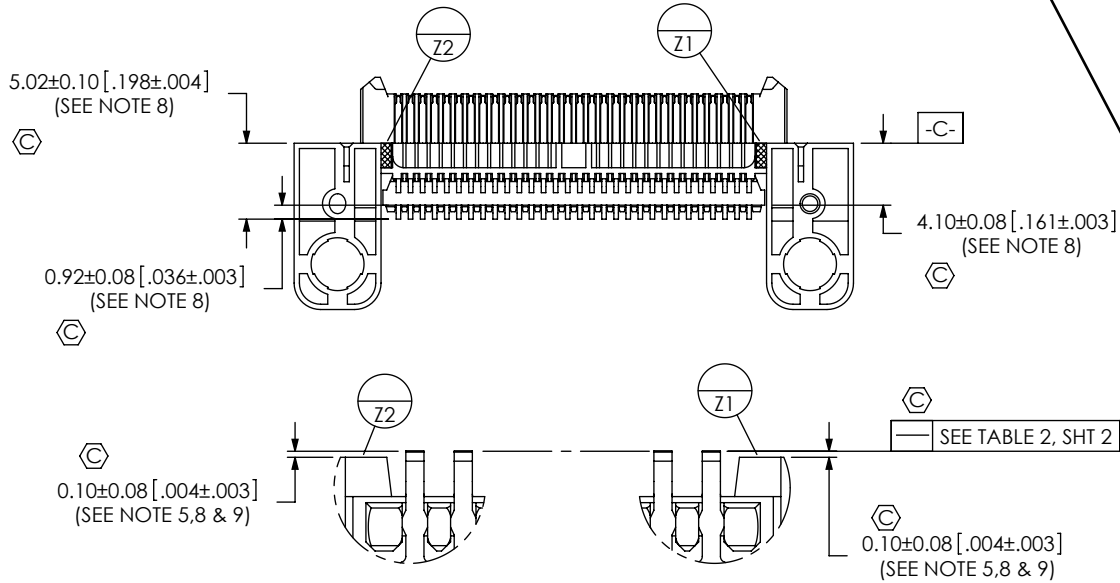


IN-PROCESS 8
(FILL TOP ROW)
(SEE INSPECTION VIEW 2 FOR ASSEMBLY ORIENTATION AND CPC'S)



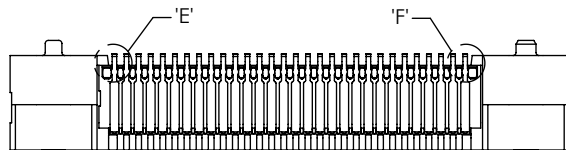
IN-PROCESS 9
(HEAT STAKE TOP ROW OF CONTACTS)
(SEE INSPECTION VIEW 2 FOR ASSEMBLY ORIENTATION AND CPC'S)

INSPECTION VIEW 2
(SEE NOTE 10)

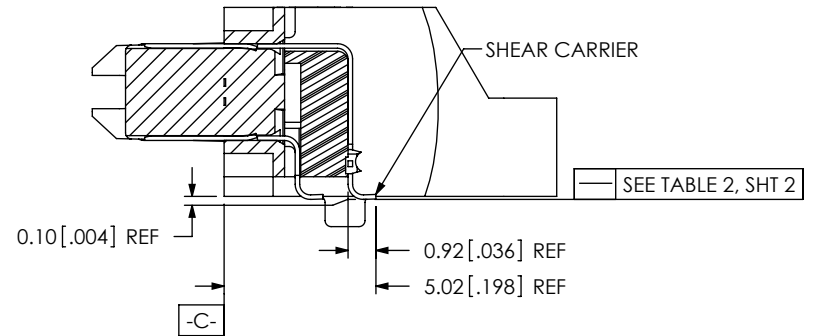


DETAIL 'E'
SCALE 8:1

DETAIL 'F'
SCALE 8:1



INSPECTION FOR IN-PROCESS 8, 9 & 10
(CARRIER NOT SHOWN FOR IN PROCESS 8 INSPECTIONS)



IN-PROCESS 10
(CUT OFF CARRIER)
(SEE INSPECTION VIEW 2 FOR ASSEMBLY ORIENTATION AND CPC'S)

F:\DWG\MISC\MKTG\ERM8-XXX-XX-X-D-RA-XX-TR-MKT.SLDDRW

PROPRIETARY NOTE

THIS DOCUMENT CONTAINS INFORMATION CONFIDENTIAL AND PROPRIETARY TO SAMTEC, INC. AND SHALL NOT BE REPRODUCED OR TRANSFERRED TO OTHER DOCUMENTS OR DISCLOSED TO OTHERS OR USED FOR ANY PURPOSE OTHER THAN THAT WHICH IT WAS OBTAINED WITHOUT THE EXPRESSED WRITTEN CONSENT OF SAMTEC, INC.

DO NOT SCALE DRAWING

SHEET SCALE: 2:1

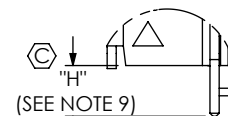
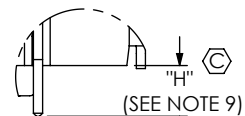
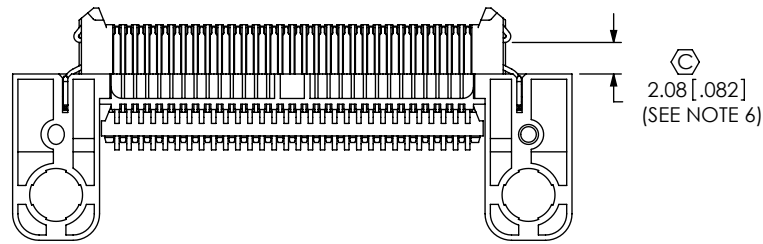
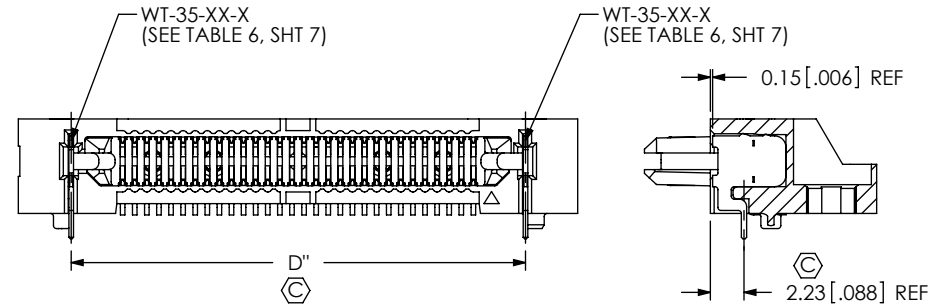
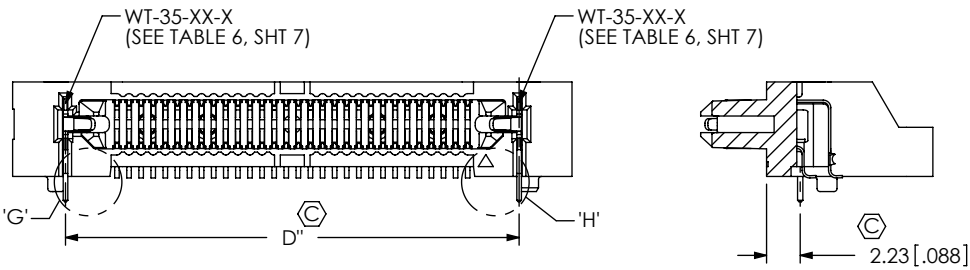


520 PARK EAST BLVD, NEW ALBANY, IN 47150
PHONE: 812-944-6733 FAX: 812-948-5047
e-Mail info@SAMTEC.com code 55322

DESCRIPTION:
.80mm DUAL ROW RIGHT ANGLE SOCKET ASSEMBLY

DWG. NO.
ERM8-XXX-XX-X-D-RA-XX-TR

BY: C. PIERCE 8/17/2007 SHEET 5 OF 7

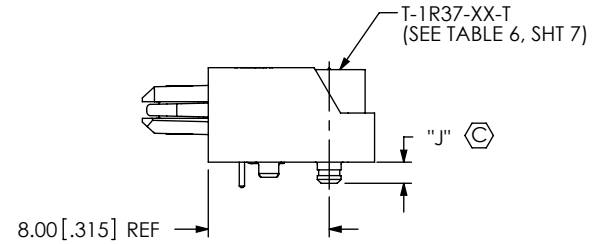
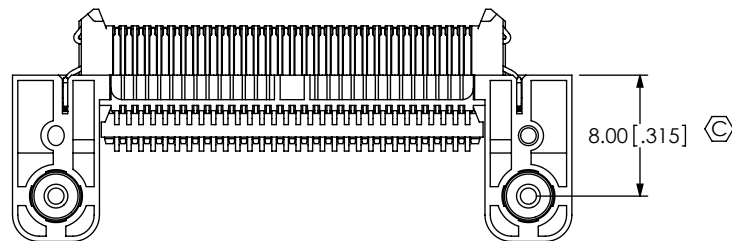


IN-PROCESS 11
FILL WT-35-XX-F
(ERM8-030-01-S-D-RA SHOWN)

IN-PROCESS 11
FILL WT-35-XX-F
(ERM8-030-01-S-D-RA-L SHOWN)

DETAIL 'G'
SCALE 4 : 1

DETAIL 'H'
SCALE 4 : 1



IN-PROCESS 12
FILL T-1R37-XX-T
(SEE TABLE 6, SHT 7)

F:\DWG\MISC\MKTG\ERM8-XXX-XX-X-D-RA-XX-TR-MKT.SLDDRW

PROPRIETARY NOTE

THIS DOCUMENT CONTAINS INFORMATION CONFIDENTIAL AND PROPRIETARY TO SAMTEC, INC. AND SHALL NOT BE REPRODUCED OR TRANSFERRED TO OTHER DOCUMENTS OR DISCLOSED TO OTHERS OR USED FOR ANY PURPOSE OTHER THAN THAT WHICH IT WAS OBTAINED WITHOUT THE EXPRESSED WRITTEN CONSENT OF SAMTEC, INC.

DO NOT SCALE DRAWING

SHEET SCALE: 2:1

samtec

520 PARK EAST BLVD. NEW ALBANY, IN 47150
PHONE: 812-944-6733 FAX: 812-948-5047
e-Mail: info@SAMTEC.com code 55322

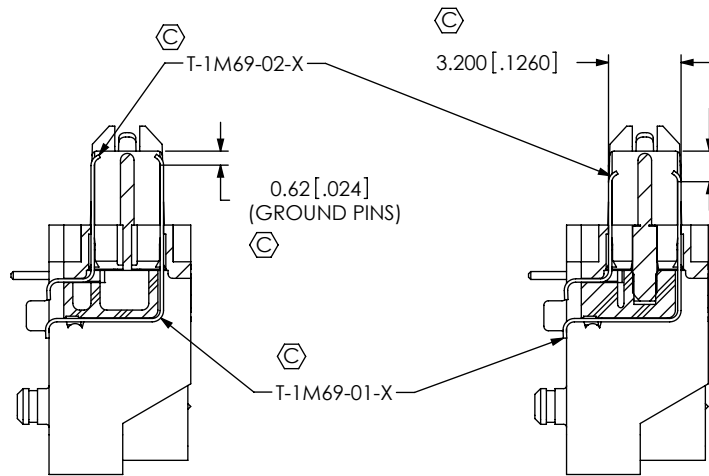
DESCRIPTION:
.80mm DUAL ROW RIGHT ANGLE SOCKET ASSEMBLY

DWG. NO.
ERM8-XXX-XX-X-D-RA-XX-TR

BY: C. PIERCE 8/17/2007 SHEET 6 OF 7

TABLE 6

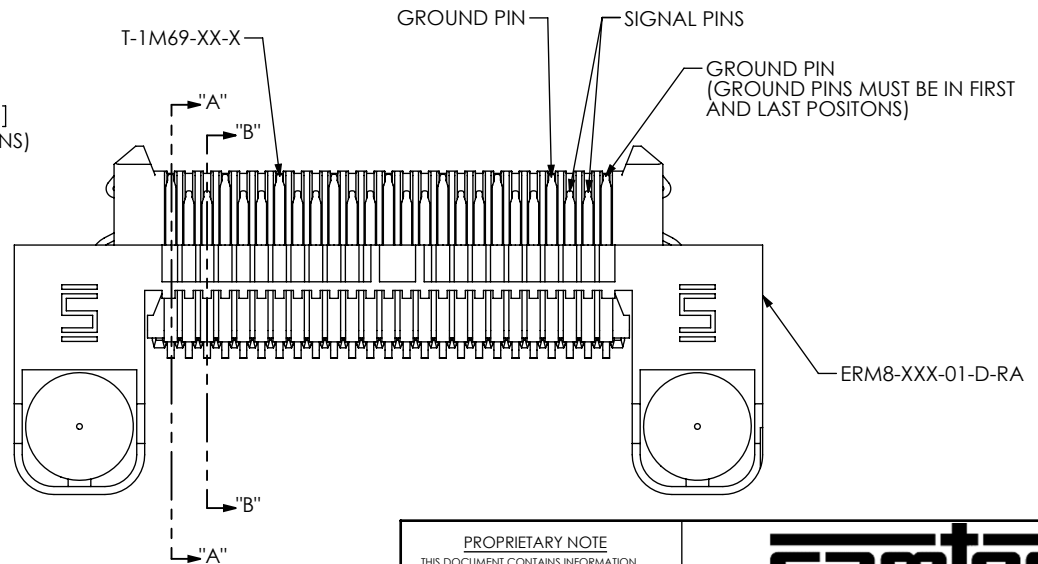
OPTION	STYLE	BODY CALLOUT	SPACER BODY	TERMINALS	COUNTERWEIGHT	WELD TABS
NONE	-01	ERM8-XXX-01-D-RA	ERF8-RA-XX	T-1M52-01-X T-1M52-02-X	T-1R37-01-X	WT-35-03-T
	-03	ERM8-XXX-01-D-RA	ERF8-RA-XX	T-1M52-01-X T-1M52-02-X	T-1R37-02-X	WT-35-06-T
-L	-01	ERM8-XXX-01-D-RA	ERF8-RA-XX	T-1M52-01-X T-1M52-02-X	T-1R37-01-X	WT-35-01-F WT-35-02-F
	-03	ERM8-XXX-01-D-RA	ERF8-RA-XX	T-1M52-01-X T-1M52-02-X	T-1R37-02-X	WT-35-04-F WT-35-05-F
-DS	-01	ERM8-XXX-01-D-RA	ERF8-RA-XX	T-1M69-01-X T-1M69-02-X	T-1R37-01-X	WT-35-03-T
	-03	ERM8-XXX-01-D-RA	ERF8-RA-XX	T-1M69-01-X T-1M69-02-X	T-1R37-02-X	WT-35-06-T
-DS & -L	-01	ERM8-XXX-01-D-RA	ERF8-RA-XX	T-1M69-01-X T-1M69-02-X	T-1R37-01-X	WT-35-01-F WT-35-02-F
	-03	ERM8-XXX-01-D-RA	ERF8-RA-XX	T-1M69-01-X T-1M69-02-X	T-1R37-02-X	WT-35-04-F WT-35-05-F



SECTION "A"- "A"
SCALE 3 : 1

SECTION "B"- "B"
SCALE 3 : 1

FIG 2
ERM8-025-01-X-D-RA-DS-L SHOWN
(DIFFERENT AS SHOWN, OTHERWISE SAME AS FIG 1)



PROPRIETARY NOTE

THIS DOCUMENT CONTAINS INFORMATION CONFIDENTIAL AND PROPRIETARY TO SAMTEC, INC. AND SHALL NOT BE REPRODUCED OR TRANSFERRED TO OTHER DOCUMENTS OR DISCLOSED TO OTHERS OR USED FOR ANY PURPOSE OTHER THAN THAT WHICH IT WAS OBTAINED WITHOUT THE EXPRESSED WRITTEN CONSENT OF SAMTEC, INC.

DO NOT SCALE DRAWING

SHEET SCALE: 2:1



520 PARK EAST BLVD, NEW ALBANY, IN 47150
PHONE: 812-944-6733 FAX: 812-948-5047
e-Mail info@SAMTEC.com code 55322

DESCRIPTION:
.80mm DUAL ROW RIGHT ANGLE SOCKET ASSEMBLY

DWG. NO.
ERM8-XXX-XX-X-D-RA-XX-TR

BY: C. PIERCE 8/17/2007 SHEET 7 OF 7