

**DESIGNED & DIMENSIONED
IN MILLIMETERS
(INCHES FOR REFERENCE ONLY)**

DO NOT
SCALE FROM
THIS PRINT

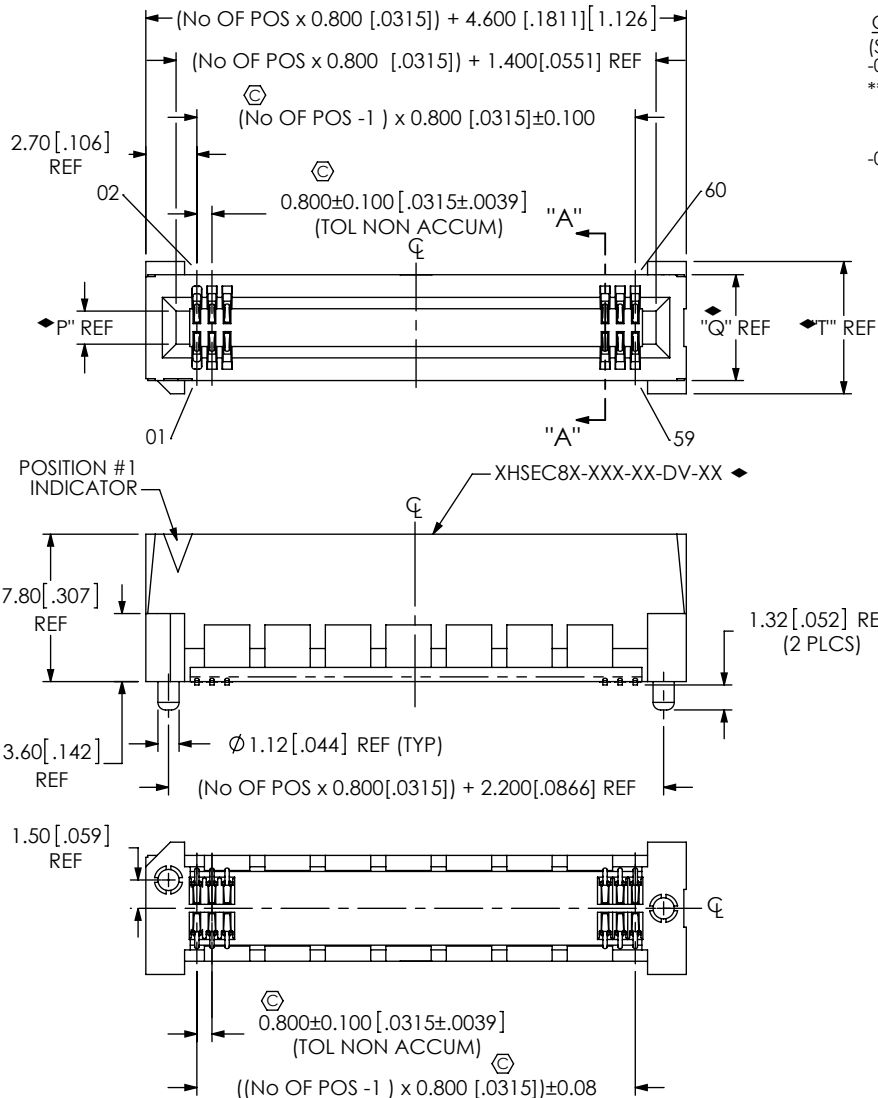


FIG 1
FOR POSITIONS -T0, -20 & -30
HSEC8-130-01-XX-DV-A SHOWN
(SOME FEATURES NOT SHOWN FOR CLARITY)
◊=(SEE TABLE 9, SHT 3)

HSEC8-1XXX-XX-XX-DV-X-XX

NO OF POSITIONS (PER ROW)
-10, -20, -30 (SEE FIG 1)
-09, -13, -25, -37, -49, -40, -50, -60, -70, -80, -90, -100 (SEE FIG 2, SHT 2)

CARD THICKNESS
(SEE TABLE 9, SHT 3)
-01: 1.57 [.062] CARD
*** -02: 2.00 [.079] CARD
(10-60 POS, MULTIPLES OF 10 ONLY)
(-K & -TR ONLY FOR OPTION 2)
(USE HSEC8A-XXX-02-DV-XX)
-03: 2.36 [.093] CARD
(10-100 POS, MULTIPLES OF 10 ONLY)
(-K & -TR ONLY FOR OPTION 2)
(USE RHSEC8-XXX-03-DV-XX)
(SEE NOTE 7 & 10)

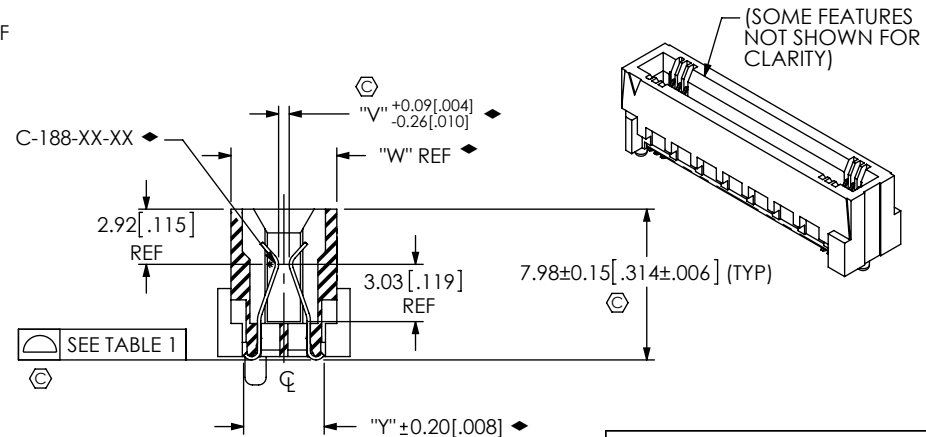
PLATING SPECIFICATION
-SM: 30µ" SELECTIVE GOLD IN CONTACT AREA, MATTE TIN ON TAIL
-H: 30µ" HEAVY GOLD IN CONTACT AREA, 3µ" GOLD TAIL
-S: 30µ" SELECTIVE GOLD IN CONTACT AREA, MATTE TIN ON TAIL
-L: 10µ" LIGHT SELECTIVE GOLD IN CONTACT AREA, MATTE TIN ON TAIL

ROW SPECIFICATION
-DV: DOUBLE VERTICAL

OPTION 2
** -PE: PASS THROUGH (SHT 7, FIG 7)
(10, 13, & 20 POS ONLY)
(-A OPTION ONLY)
(NOT AVAILABLE WITH ANY OTHER OPTION
2, EXCEPT -K AND/OR -TR)
** -BL: BOARD LOCK (SHT 5, FIG 5) (SEE NOTE 11)
** -GR: GUIDE RAILS (SHT 6, FIG 6)
(10-60 POS, MULTIPLES OF 10 ONLY)
(SEE NOTE 11) (-TR PACKAGING ONLY)
**** -WT: WELD TAB (SHT 7, FIG 8)
(-A OPTION ONLY)
** -L: LATCHING (SHT 4, FIG 4)
(13, 25, 37, & 49 POS ONLY) (SEE NOTE 11)
** -L2: ECDP LATCHING (SHT 8, FIG 9)
(09, 13, 25, & 49 POS ONLY) (SEE NOTE 11)
-K: POLYIMIDE FILM PAD (SEE SHT 2, FIG 3)
-TR: TAPE & REEL
(09 THRU 70 POS ONLY)
(LEAVE BLANK FOR TRAY)

OPTION 1
-A: ALIGNMENT PIN
(USE XHSEC8X-XXX-XX-DV-A)
(LEAVE BLANK FOR NO ALIGNMENT PIN,
USE XHSEC8-XXX-01-DV-LC, NOT
AVAILABLE FOR CARD THICKNESS -02 &
-03 SEE FIG 10, SHT 3)

** = AVAILABLE ONLY WITH -01 CARD THICKNESS
*** = FOR EXISTING CUSTOMER ONLY
**** = AVAILABLE ONLY WITH -01 AND -03 CARD THICKNESS.
-03 CARD THICKNESS NOT RELEASED FOR PRODUCTION.
◼ = AVAILABLE ONLY WITH END OPTIONS -BL, -WT, & -L2



SECTION "A"-"A"

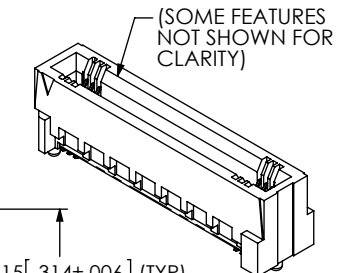


TABLE 1	
No OF POS	COPLANARITY
-10 THRU -60	0.102 [.0040]
-70 THRU -100	0.152 [.0060]

NOTES:

1. Ⓞ REPRESENTS A CRITICAL DIMENSION.
2. BURR ALLOWANCE: 0.04 [.0015] MAX.
3. MINIMUM PUSHOUT FORCE: 2.2 NEWTONS.
4. ALL TAIL TO TAIL DIMENSIONS MEASURED TIP TO TIP.
5. ASSEMBLIES TO BE PACKAGED IN TRAYS, UNLESS -TR IS SPECIFIED.
6. NOTE DELETED.
7. MATING EDGE CARD THICKNESS TOLERANCE TO BE ±0.15 [.006] OF NOMINAL.
8. NOTE DELETED.
9. NOTE DELETED.
10. MATING CARD MUST HAVE LEAD-IN. SEE SAMTEC FOOTPRINT FOR SPECIFICATIONS.
11. L, L2, & BL IS NOT APPLICABLE FOR GUIDE RAIL TYPE USE. GR NOT APPLICABLE FOR L, L2, OR BL TYPE USE.

F:\DWG\MISC\MKTG\HSEC8-1XXX-XX-XX-DV-X-XX-MKT.SLDDRW

<p>UNLESS OTHERWISE SPECIFIED, DIMENSIONS ARE IN MILLIMETERS.</p> <p>TOLERANCES ARE:</p> <table border="0"> <tr> <td>DECIMALS</td> <td>ANGLES</td> </tr> <tr> <td>.X: ± .3 [.01]</td> <td>2°</td> </tr> <tr> <td>.XX: ± .13 [.005]</td> <td></td> </tr> <tr> <td>.XXX: ± .05 [.0020]</td> <td></td> </tr> </table>	DECIMALS	ANGLES	.X: ± .3 [.01]	2°	.XX: ± .13 [.005]		.XXX: ± .05 [.0020]		<p>PROPRIETARY NOTE THIS DOCUMENT CONTAINS INFORMATION CONFIDENTIAL AND PROPRIETARY TO SAMTEC, INC. AND SHALL NOT BE REPRODUCED OR TRANSFERRED TO OTHER DOCUMENTS OR DISCLOSED TO OTHERS OR USED FOR ANY PURPOSE OTHER THAN THAT WHICH IT WAS OBTAINED WITHOUT THE EXPRESSED WRITTEN CONSENT OF SAMTEC, INC.</p>	<p>DESCRIPTION: 0.8mm HIGH SPEED EDGE CARD ASSEMBLY</p>	
	DECIMALS	ANGLES									
.X: ± .3 [.01]	2°										
.XX: ± .13 [.005]											
.XXX: ± .05 [.0020]											
<p>MATERIAL: DO NOT SCALE DRAWING SHEET SCALE: 2.5:1</p> <p>INSULATOR: LCP, COLOR: -01 CARD THICKNESS BLACK, -02 THRU -04 CARD THICKNESS NATURAL</p> <p>CONTACT: BeCu</p>	<p>DWG. NO. HSEC8-1XXX-XX-XX-DV-X-XX</p> <p>BY: BRATCHER 01/24/03 SHEET 1 OF 8</p>										



520 PARK EAST BLVD, NEW ALBANY, IN 47150
PHONE: 812-944-6733 FAX: 812-948-5047
e-Mail: info@SAMTEC.com code: 55322

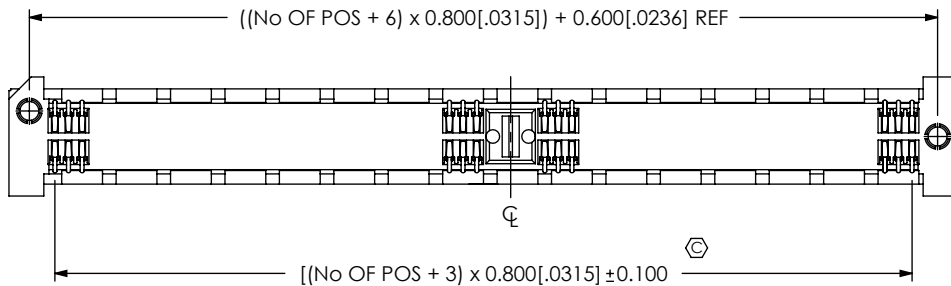
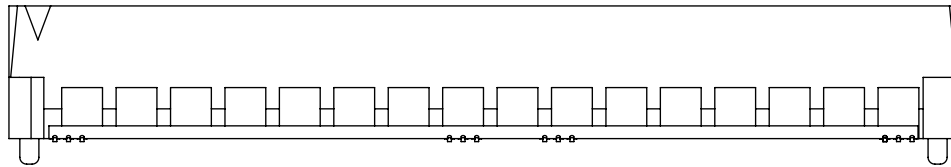
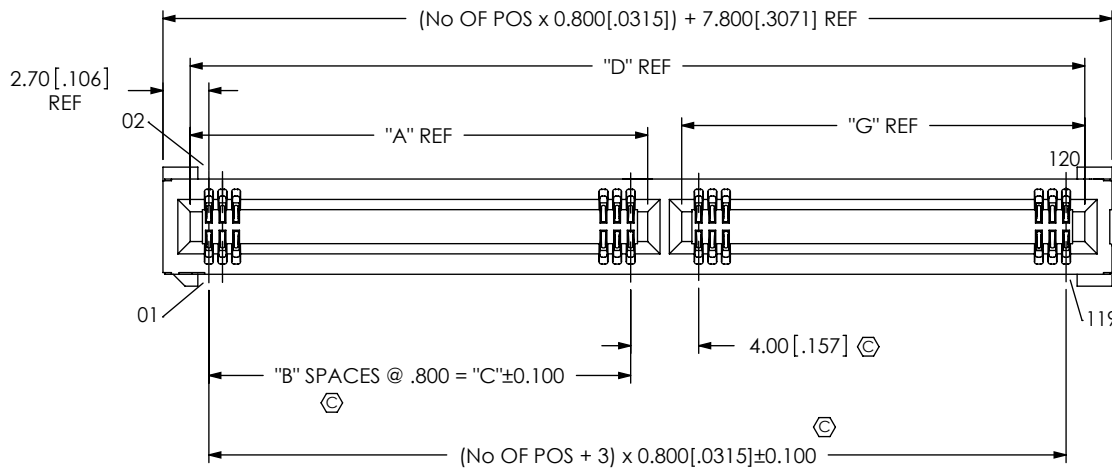


TABLE 2

No OF POS	"A"	"B"	"C"	"D"	"G"
■**-09	4.50 [.177]	3	2.400 [.0945]	11.80 [.465]	5.30 [.209]
**13	6.10 [.240]	5	4.000 [.1575]	15.00 [.591]	6.90 [.272]
**25	6.10 [.240]	5	4.000 [.1575]	24.60 [.969]	16.50 [.650]
**37	18.10 [.713]	20	16.000 [.6299]	34.20 [1.346]	14.10 [.555]
-40	18.90 [.744]	21	16.800 [.6614]	36.60 [1.441]	15.70 [.618]
**49	22.90 [.902]	26	20.800 [.8189]	43.80 [1.724]	18.90 [.744]
-50	22.90 [.902]	26	20.800 [.8189]	44.60 [1.756]	19.70 [.776]
-60	26.90 [1.059]	31	24.800 [.9764]	52.60 [2.071]	23.70 [.933]
-70	26.90 [1.059]	31	24.800 [.9764]	60.60 [2.386]	31.70 [1.248]
-80	26.90 [1.059]	31	24.800 [.9764]	68.60 [2.701]	39.70 [1.563]
-90	26.90 [1.059]	31	24.800 [.9764]	76.60 [3.016]	47.70 [1.878]
-100	26.90 [1.059]	31	24.800 [.9764]	84.60 [3.331]	55.70 [2.193]

** = AVAILABLE ONLY WITH -01 CARD THICKNESS

■ = AVAILABLE ONLY WITH END OPTIONS -BL, -WT & -L2

FIG 2
FOR POSITIONS ■**-09, **13, **25, **37, -40, **49, -50, -60, -70, -80, -90, -100
HSEC8-160-01-XX-DV-A SHOWN
(DIFFERENT AS SHOWN, OTHERWISE SAME AS FIG 1)
(SOME FEATURES NOT SHOWN FOR CLARITY)
(** = AVAILABLE ONLY WITH -01 CARD THICKNESS)

FIG 3
-K OPTION
(SOME FEATURES NOT SHOWN FOR CLARITY)

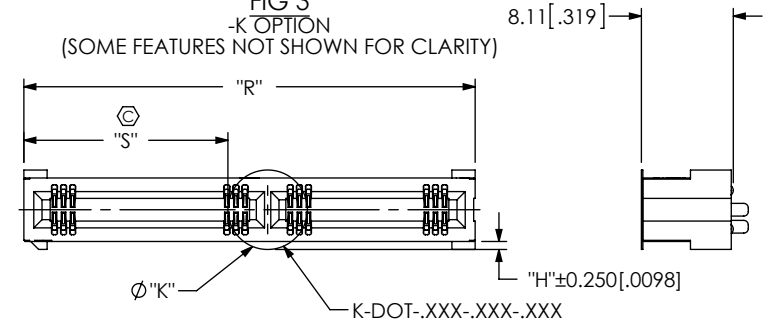


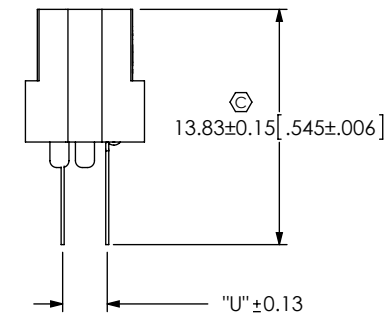
TABLE 3

OPTION 2	No OF POS	"R"	"S"
NONE	-10 THRU -30	(No OF POS x 0.800[.0315]) + 4.600[.1811] REF	((("R" - "K") / 2) + /-0.51[.020])
	-13, -25, -37, -40 THRU -100	(No OF POS x 0.800[.0315]) + 7.800[.3071] REF	
**-WT	-10 THRU -30	(No OF POS x 0.800[.0315]) + 9.200[.3622] REF	((("R" - "K") / 2) + /-0.51[.020])
	-13, -25, -37, -40 THRU -100	(No OF POS x 0.800[.0315]) + 12.400[.4882] REF	
**-L	-10 THRU -30	(No OF POS x 0.800[.0315]) + 18.400[.7244] REF	((("R" - "K") / 2) + /-0.51[.020])
	-13, -25, -37, -40 THRU -100	(No OF POS x 0.800[.0315]) + 19.050[.7500] REF	
**-BL	-10 THRU -30	(No OF POS x 0.800[.0315]) + 15.850[.6240] REF	((("R" - "K") / 2) + /-0.51[.020])
	-13, -25, -37, -40 THRU -100	(No OF POS x 0.800[.0315]) + 19.050[.7500] REF	
**PE	-10, -13, & -20	(No OF POS x 0.800[.0315]) + 7.000 [.2756] REF	
**-GR	-10, -20, -30	(No OF POS x 0.800[.0315]) + 4.600[.1811] REF	((("R" - "K") / 2) + /-0.51[.020])
	-40, -50, -60	(No OF POS x 0.800[.0315]) + 7.800[.3071] REF	
**L2	-09, -13, -25, -49	(No OF POS x 0.800[.0315]) + 11.800[.4646] REF	

** = AVAILABLE ONLY WITH -01 CARD THICKNESS

TABLE 6

CARD THICKNESS	K-DOT-XXX-XXX-XXX	"K"	"U"	"H"
-01	K-DOT-276-375-005	7.01[.276]	2.61[.103]	0.705 [.0278]
-02	K-DOT-276-375-005	7.01[.276]	3.04[.120]	0.990 [.0390]
-03	K-DOT-246-375-005	6.25[.246]	3.40[.134]	0.070 [.0027]



IN-PROCESS

PROPRIETARY NOTE
THIS DOCUMENT CONTAINS INFORMATION CONFIDENTIAL AND PROPRIETARY TO SAMTEC, INC. AND SHALL NOT BE REPRODUCED OR TRANSFERRED TO OTHER DOCUMENTS OR DISCLOSED TO OTHERS OR USED FOR ANY PURPOSE OTHER THAN THAT WHICH IT WAS OBTAINED WITHOUT THE EXPRESSED WRITTEN CONSENT OF SAMTEC, INC.

DO NOT SCALE DRAWING
SHEET SCALE: 2.25:1



520 PARK EAST BLVD, NEW ALBANY, IN 47150
PHONE: 812-944-6733 FAX: 812-948-5047
e-Mail: info@SAMTEC.com code: 55322

DESCRIPTION:
0.8mm HIGH SPEED EDGE CARD ASSEMBLY
DWG. NO.
HSEC8-1XXX-XX-XX-DV-X-XX
BY: BRATCHER 01/24/03 SHEET 2 OF 8

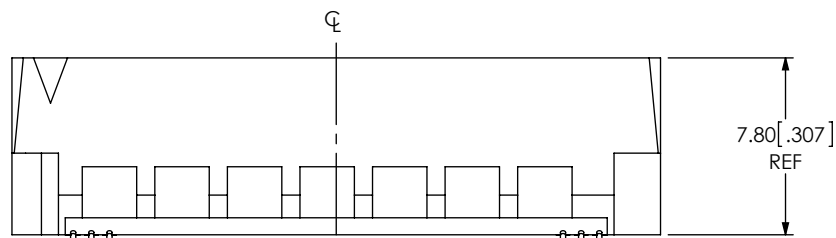


FIG 10
 **NON-ALIGNMENT PIN OPTION
 HSEC8-130-01-XX-DV SHOWN
 (DIFFERENT AS SHOWN, OTHERWISE SAME AS FIG 1)
 (** = AVAILABLE ONLY WITH -01 CARD THICKNESS)
 (SOME FEATURES NOT SHOWN FOR CLARITY)


TABLE 9

CARD	OPTION 2	BODY	CONTACT	"P"	"Q"	"T"	"V"	"W"	"Y"
-01	-L	RHSEC8-XXX-01-DV-XX-L	C-188-02-X	1.75[.070]	5.60[.220]	7.00[.280]	0.56[.022]	5.60[.220]	4.26[.168]
	-L2	RHSEC8-XXX-01-DV-XX-L2	C-188-02-X					5.60[.220]	
	-BL	RHSEC8-XXX-01-DV-XX-BL	C-188-02-X					5.60[.220]	
	-GR	RHSEC8-XXX-01-DV-XX-GR	C-188-02-X					5.60[.220]	
	-PE	HSEC8-XXX-01-DV-A-PE	C-188-01-X					4.60[.180]	
	-WT	RHSEC8-XXX-01-DV-A-WT	C-188-02-X					5.60[.220]	
	NONE	RHSEC8-XXX-01-DV-XX	C-188-02-X					5.60[.220]	
-02	NONE	HSEC8A-XXX-02-DV-A	C-188-01-X	2.18[.086]	6.03[.237]	7.43[.293]	0.99[.039]	5.03[.198]	4.69[.185]
-03	NONE	RHSEC8-XXX-03-DV-A	C-188-02-X	2.54[.100]	6.39[.252]	7.79[.307]	1.35[.053]	6.39[.252]	5.05[.199]
	-WT	RHSEC8-XXX-03-DV-A-WT	C-188-02-X						

PROPRIETARY NOTE
 THIS DOCUMENT CONTAINS INFORMATION
 CONFIDENTIAL AND PROPRIETARY TO
 SAMTEC, INC. AND SHALL NOT BE REPRODUCED
 OR TRANSFERRED TO OTHER DOCUMENTS OR
 DISCLOSED TO OTHERS OR USED FOR ANY
 PURPOSE OTHER THAN THAT WHICH IT WAS
 OBTAINED WITHOUT THE EXPRESSED WRITTEN
 CONSENT OF SAMTEC, INC.

DO NOT SCALE DRAWING

SHEET SCALE: 2:1



520 PARK EAST BLVD, NEW ALBANY, IN 47150
 PHONE: 812-944-6733 FAX: 812-948-5047
 e-Mail info@SAMTEC.com code 55322

DESCRIPTION:
0.8mm HIGH SPEED EDGE CARD ASSEMBLY

DWG. NO.
HSEC8-1XXX-XX-XX-DV-X-XX

BY: BRATCHER 01/24/03 SHEET 3 OF 8

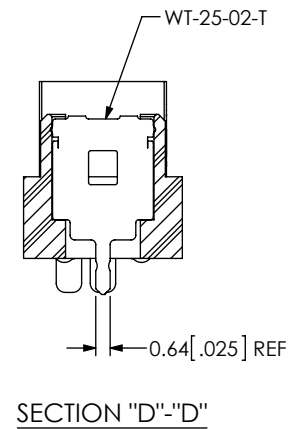
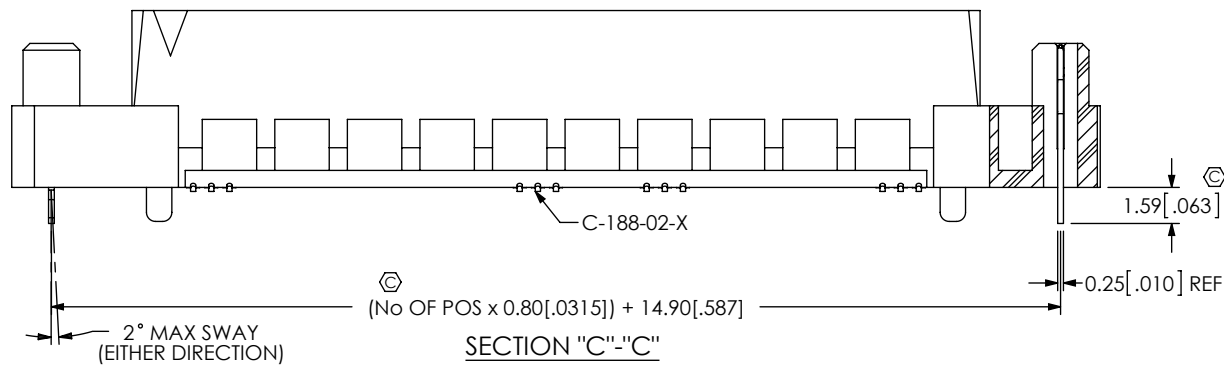
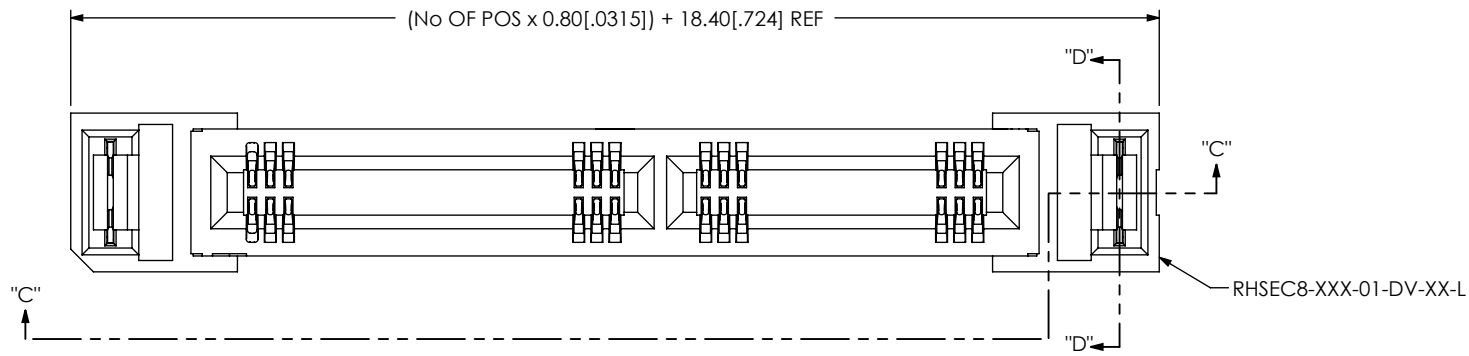

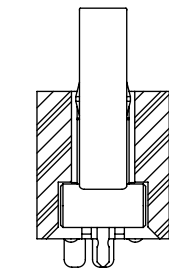
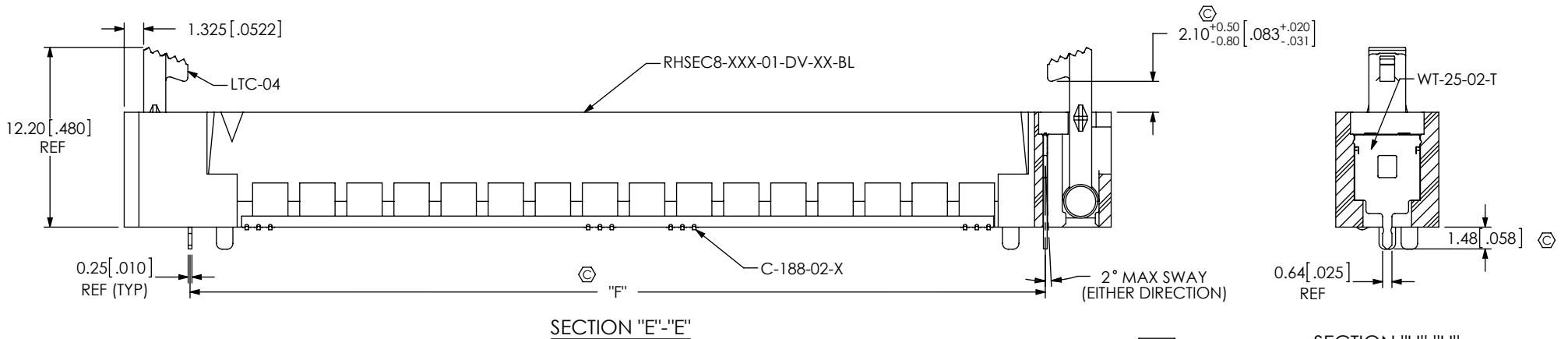
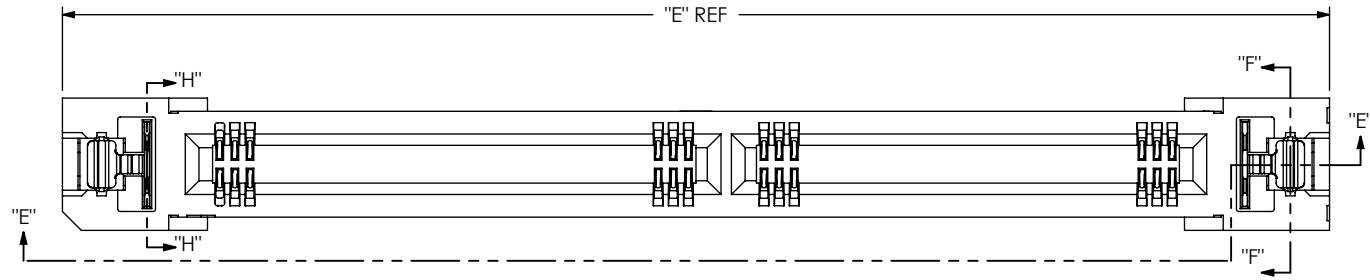
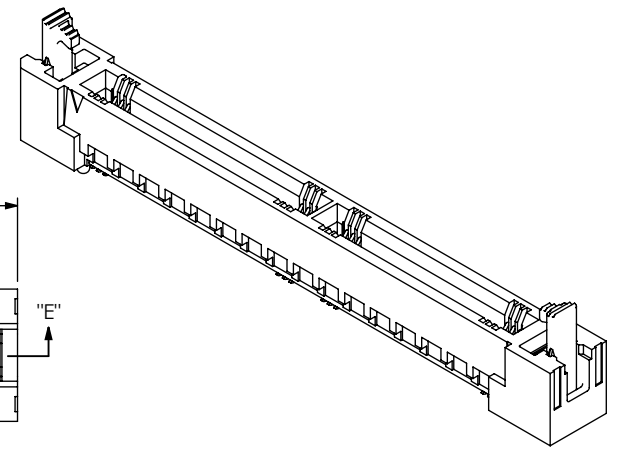


FIG 4
 **L: LATCHING OPTION
 HSEC8-137-01-XX-DV-A-L SHOWN
 AVAILABLE IN -13, -25, -37 & -49 POSITIONS ONLY
 (NOT AVAILABLE FOR -GR TYPE USE)
 (DIFFERENT AS SHOWN, OTHERWISE SAME AS FIG 2)
 (SOME FEATURES NOT SHOWN FOR CLARITY)
 (** = AVAILABLE ONLY WITH -01 CARD THICKNESS)

<p>PROPRIETARY NOTE</p> <p>THIS DOCUMENT CONTAINS INFORMATION CONFIDENTIAL AND PROPRIETARY TO SAMTEC, INC. AND SHALL NOT BE REPRODUCED OR TRANSFERRED TO OTHER DOCUMENTS OR DISCLOSED TO OTHERS OR USED FOR ANY PURPOSE OTHER THAN THAT WHICH IT WAS OBTAINED WITHOUT THE EXPRESSED WRITTEN CONSENT OF SAMTEC, INC.</p> <p>DO NOT SCALE DRAWING</p> <p>SHEET SCALE: 3:1</p>		
	<p>520 PARK EAST BLVD, NEW ALBANY, IN 47150 PHONE: 812-944-6733 FAX: 812-948-5047 e-Mail: info@SAMTEC.com code: 55322</p>	
	<p>DESCRIPTION: 0.8mm HIGH SPEED EDGE CARD ASSEMBLY</p>	
	<p>DWG. NO. HSEC8-1XXX-XX-XX-DV-X-XX</p>	
<p>BY: BRATCHER 01/24/03</p>	<p>SHEET 4 OF 8</p>	



SECTION "E"-"E"

SECTION "H"-"H"

SECTION "F"-"F"

TABLE 4

No OF POSITIONS	"E"	"F"
-09	26.25 [1.033]	17.30 [0.681]
-10	23.85 [0.939]	14.90 [0.587]
-13	29.45 [1.159]	20.50 [0.807]
-20	31.85 [1.254]	22.90 [0.902]
-25	39.05 [1.537]	30.10 [1.185]
-30	39.85 [1.569]	30.90 [1.217]
-37	48.65 [1.915]	39.70 [1.563]
-40	51.05 [2.010]	42.10 [1.657]
-49	58.25 [2.293]	49.30 [1.941]
-50	59.05 [2.325]	50.10 [1.972]
-60	67.05 [2.640]	58.10 [2.287]
-70	75.05 [2.955]	66.10 [2.602]
-80	83.05 [3.270]	74.10 [2.917]
-90	91.05 [3.585]	82.10 [3.232]
-100	99.05 [3.900]	90.10 [3.547]

FIG 5
 **-BL: BOARD LOCK OPTION
 HSEC8-160-01-XX-DV-A-BL SHOWN
 (NOT AVAILABLE FOR -GR TYPE USE)
 (FOR -09, -13, -25, 37, -40, -49, -50, -60, -70, -80, -90 & -100
 POSITIONS DIFFERENT AS SHOWN, OTHERWISE SAME AS FIG 2)
 (FOR -10, -20 & -30 POSITIONS DIFFERENT AS SHOWN,
 OTHERWISE SAME AS FIG 1)
 (** = AVAILABLE ONLY WITH -01 CARD THICKNESS)
 (SOME FEATURES NOT SHOWN FOR CLARITY)
 (AVAILABLE IN ALL POSITIONS)

PROPRIETARY NOTE
 THIS DOCUMENT CONTAINS INFORMATION
 CONFIDENTIAL AND PROPRIETARY TO
 SAMTEC, INC. AND SHALL NOT BE REPRODUCED
 OR TRANSFERRED TO OTHER DOCUMENTS OR
 DISCLOSED TO OTHERS OR USED FOR ANY
 PURPOSE OTHER THAN THAT WHICH IT WAS
 OBTAINED WITHOUT THE EXPRESSED WRITTEN
 CONSENT OF SAMTEC, INC.

DO NOT SCALE DRAWING

SHEET SCALE: 2.5:1

samtec

520 PARK EAST BLVD, NEW ALBANY, IN 47150
 PHONE: 812-944-6733 FAX: 812-948-5047
 e-Mail: info@SAMTEC.com code: 55322

DESCRIPTION:
0.8mm HIGH SPEED EDGE CARD ASSEMBLY

DWG. NO.
HSEC8-1XXX-XX-XX-DV-X-XX

BY: BRATCHER 01/24/03 SHEET 5 OF 8

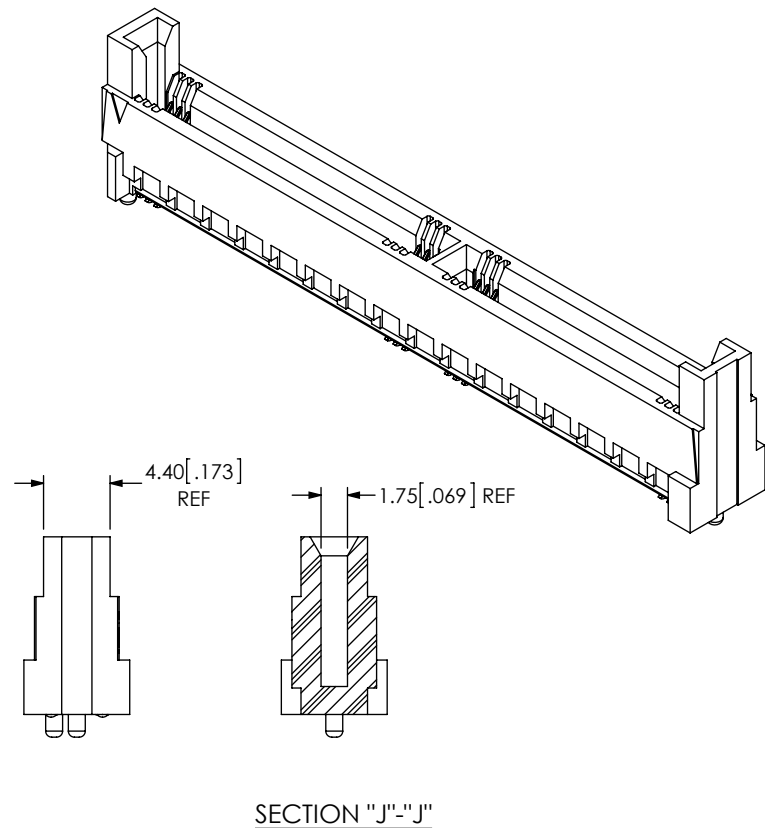
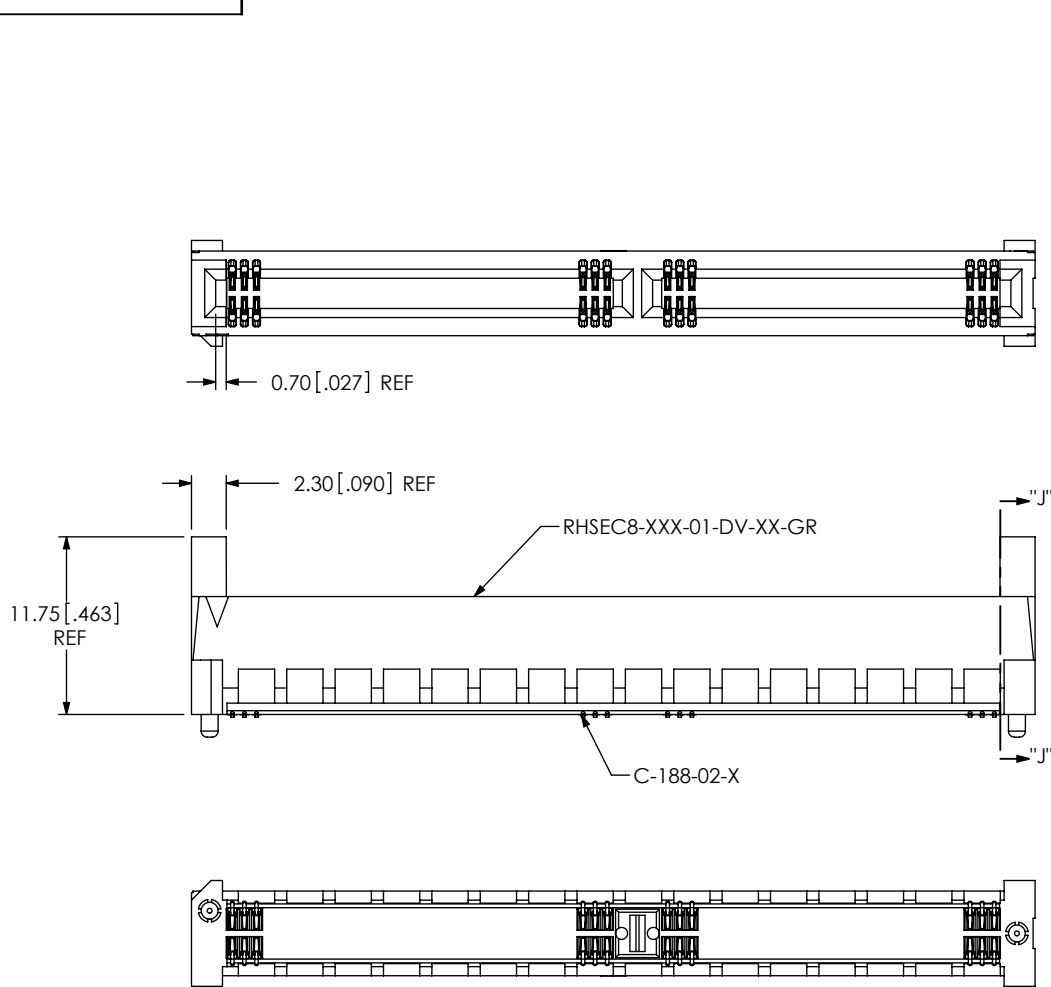



FIG 6
 **GR: GUIDE RAILS OPTION
 HSEC8-160-01-XX-DV-A-GR SHOWN
 AVAILABLE IN -10, -20, -30, -40, -50, & -60 POSITIONS ONLY
 (NOT AVAILABLE FOR -L; -BL TYPE USE)
 (DIFFERENT AS SHOWN, OTHERWISE SAME AS FIG 2)
 (SOME FEATURES NOT SHOWN FOR CLARITY)
 (** = AVAILABLE ONLY WITH -01 CARD THICKNESS)

<p>PROPRIETARY NOTE</p> <p>THIS DOCUMENT CONTAINS INFORMATION CONFIDENTIAL AND PROPRIETARY TO SAMTEC, INC. AND SHALL NOT BE REPRODUCED OR TRANSFERRED TO OTHER DOCUMENTS OR DISCLOSED TO OTHERS OR USED FOR ANY PURPOSE OTHER THAN THAT WHICH IT WAS OBTAINED WITHOUT THE EXPRESSED WRITTEN CONSENT OF SAMTEC, INC.</p> <p>DO NOT SCALE DRAWING</p> <p>SHEET SCALE: 2:1</p>		
	<p>520 PARK EAST BLVD, NEW ALBANY, IN 47150 PHONE: 812-944-6733 FAX: 812-948-5047 e-Mail: info@SAMTEC.com code: 55322</p>	
	<p>DESCRIPTION: 0.8mm HIGH SPEED EDGE CARD ASSEMBLY</p>	
	<p>DWG. NO. HSEC8-1XXX-XX-XX-DV-X-XX</p>	
	<p>BY: BRATCHER 01/24/03</p>	<p>SHEET 6 OF 8</p>

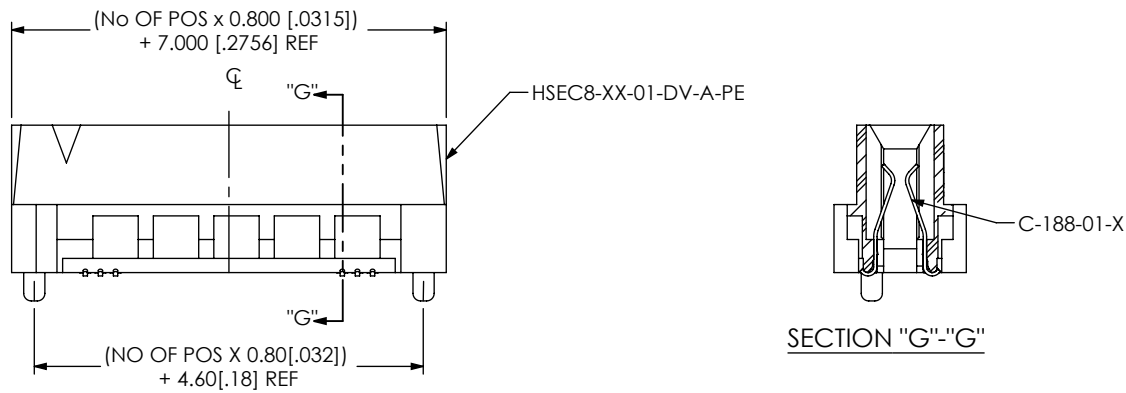


FIG 7
 **-PE: PASS THROUGH OPTION
 HSEC8-120-01-XX-DV-A-PE SHOWN
 AVAILABLE IN -10, *-13 & -20 POSITIONS ONLY
 (DIFFERENT AS SHOWN, OTHERWISE SAME AS FIG 1)
 (SOME FEATURES NOT SHOWN FOR CLARITY)
 ** = AVAILABLE ONLY WITH -01 CARD THICKNESS
 *-13 IS A ONE BANK PART

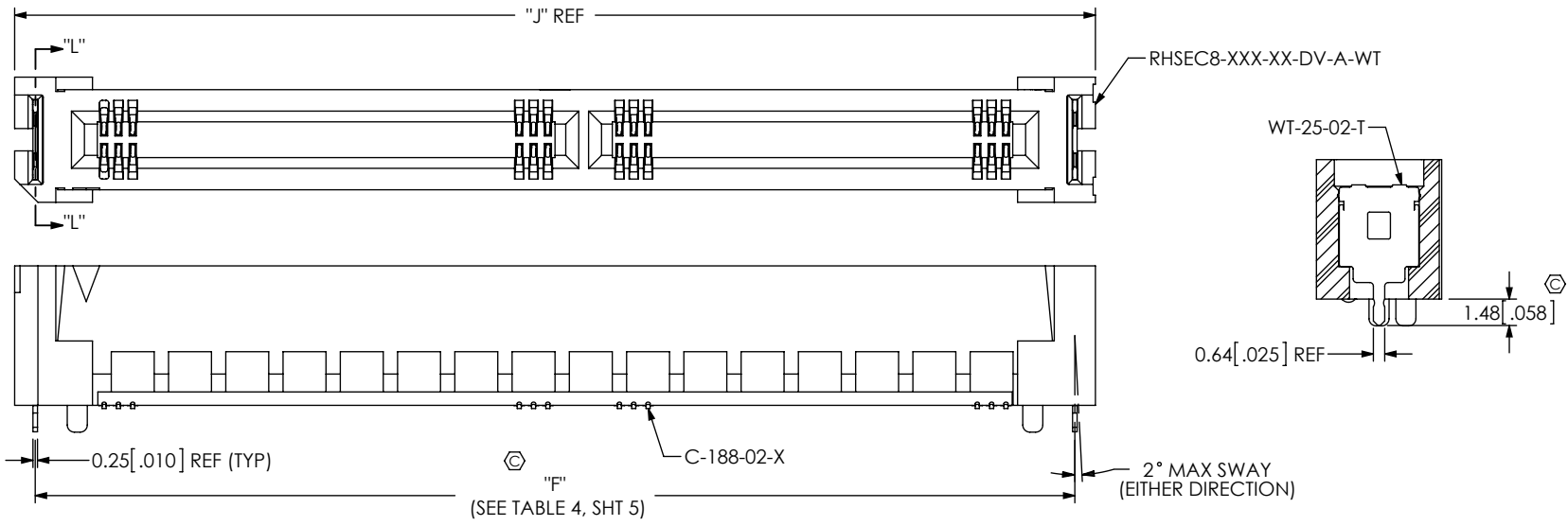


TABLE 7

No OF POSITIONS	"J"
-09	19.60 [0.772]
-10	17.20 [0.677]
-13	22.80 [0.898]
-20	25.20 [0.992]
-25	32.40 [1.276]
-30	33.20 [1.307]
-37	42.00 [1.654]
-40	44.40 [1.748]
-49	51.60 [2.031]
-50	52.40 [2.063]
-60	60.40 [2.378]
-70	68.40 [2.693]
-80	76.40 [3.008]
-90	84.40 [3.323]
-100	92.40 [3.638]

FIG 8
 ****-WT: WELD TAB OPTION
 HSEC8-160-01-XX-DV-A-WT SHOWN
 AVAILABLE IN ALL POSITIONS
 (-A OPTION REQUIRED)
 (DIFFERENT AS SHOWN, OTHERWISE SAME AS FIG 2)
 (SOME FEATURES NOT SHOWN FOR CLARITY)
 (**** = AVAILABLE ONLY WITH -01 AND -03 CARD THICKNESS.
 -03 CARD THICKNESS NOT RELEASED FOR PRODUCTION)

PROPRIETARY NOTE
 THIS DOCUMENT CONTAINS INFORMATION CONFIDENTIAL AND PROPRIETARY TO SAMTEC, INC. AND SHALL NOT BE REPRODUCED OR TRANSFERRED TO OTHER DOCUMENTS OR DISCLOSED TO OTHERS OR USED FOR ANY PURPOSE OTHER THAN THAT WHICH IT WAS OBTAINED WITHOUT THE EXPRESSED WRITTEN CONSENT OF SAMTEC, INC.

DO NOT SCALE DRAWING

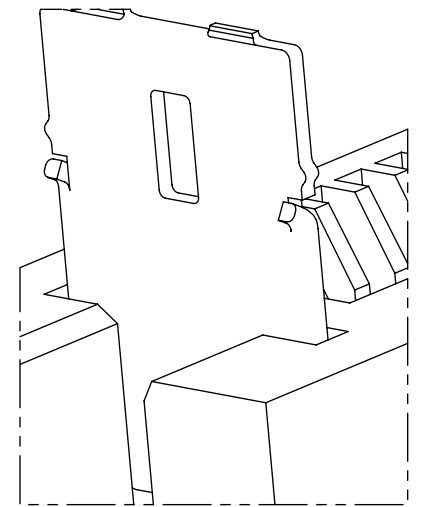
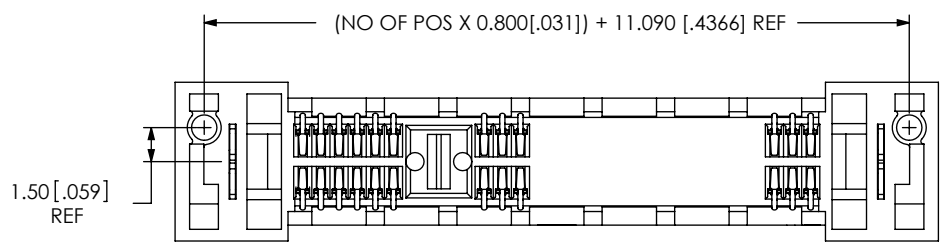
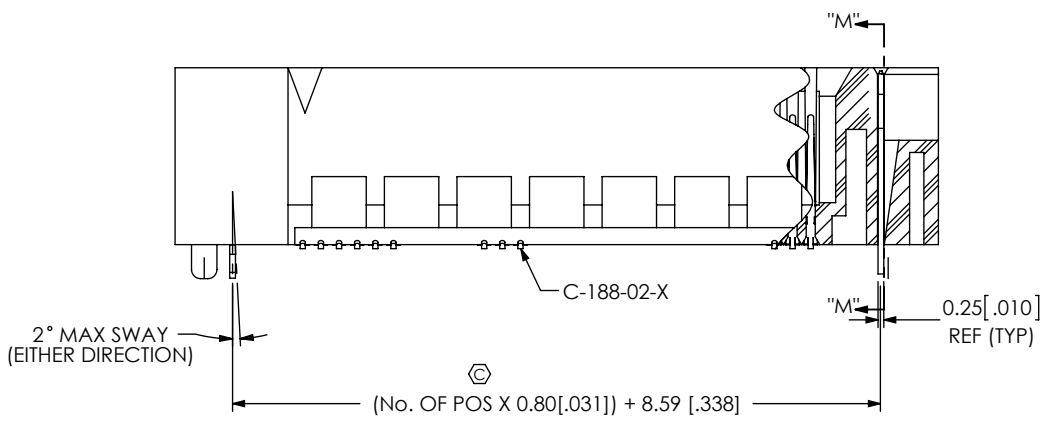
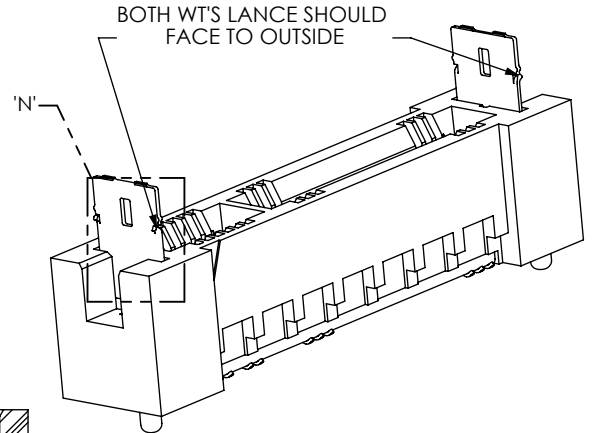
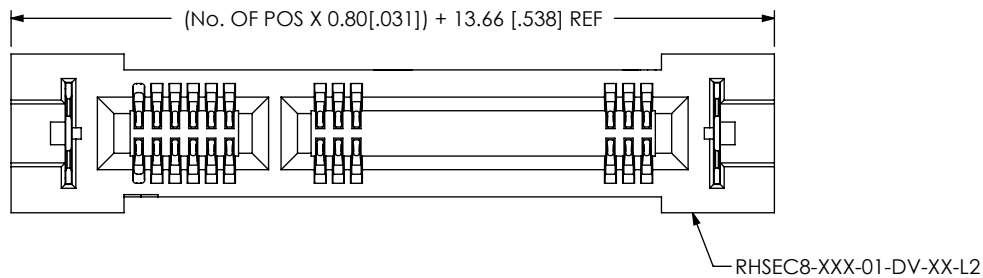
SHEET SCALE: 2.5:1

520 PARK EAST BLVD., NEW ALBANY, IN 47150
 PHONE: 812-944-6733 FAX: 812-948-5047
 e-Mail: info@SAMTEC.com code 55322

DESCRIPTION:
 0.8mm HIGH SPEED EDGE CARD ASSEMBLY

DWG. NO.
HSEC8-1XXX-XX-XX-DV-X-XX

BY: BRATCHER 01/24/03 SHEET 7 OF 8



SCALE 10 : 1

FIG 9
 **L2: ECDP LATCHING OPTION
 HSEC8-125-01-XX-DV-A-L2 SHOWN
 (AVAILABLE IN 9, 13, 25, & 49 POS ONLY)
 (NOT AVAILABLE FOR -GR TYPE USE)
 (DIFFERENT AS SHOWN, OTHERWISE SAME AS FIG 2)
 (SOME FEATURES NOT SHOWN FOR CLARITY)
 (** = AVAILABLE ONLY WITH -01 CARD THICKNESS)

F:\DWG\MISC\MKTG\HSEC8-1XXX-XX-XX-DV-X-XX-MKT.SLDDRW

<p>PROPRIETARY NOTE</p> <p>THIS DOCUMENT CONTAINS INFORMATION CONFIDENTIAL AND PROPRIETARY TO SAMTEC, INC. AND SHALL NOT BE REPRODUCED OR TRANSFERRED TO OTHER DOCUMENTS OR DISCLOSED TO OTHERS OR USED FOR ANY PURPOSE OTHER THAN THAT WHICH IT WAS OBTAINED WITHOUT THE EXPRESSED WRITTEN CONSENT OF SAMTEC, INC.</p> <p>DO NOT SCALE DRAWING</p> <p>SHEET SCALE: 3:1</p>		
	<p>520 PARK EAST BLVD, NEW ALBANY, IN 47150 PHONE: 812-944-6733 FAX: 812-948-5047 e-Mail info@SAMTEC.com code 55322</p>	
	<p>DESCRIPTION: 0.8mm HIGH SPEED EDGE CARD ASSEMBLY</p>	
	<p>DWG. NO. HSEC8-1XXX-XX-XX-DV-X-XX</p>	
<p>BY: BRATCHER 01/24/03</p>		<p>SHEET 8 OF 8</p>