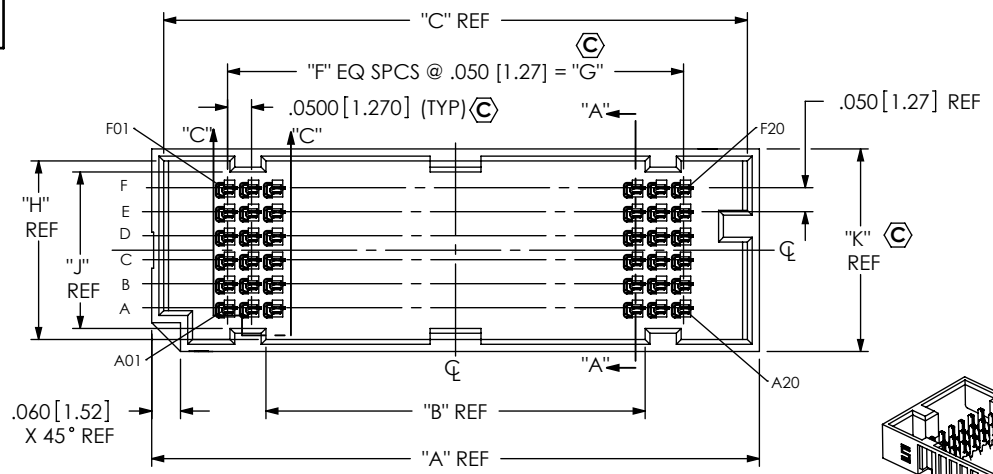


DO NOT SCALE FROM THIS PRINT



LPAM-XX-XX.X-X-XX-X-K-TR

No OF POSITIONS
-10, -20, -30, -40, *-50 (PER ROW)

LEAD STYLE
-01.0: 1.0mm
-01.5: 1.5mm

PACKAGING
-TR: TAPE & REEL (SEE NOTES 4, 5 & 7)

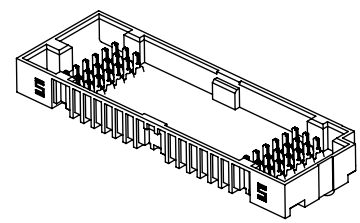
PLATING SPECIFICATION
-L: 10µ" GOLD IN CONTACT AREA, MATTE TIN ON TAIL
-S: 30µ" GOLD IN CONTACT AREA, MATTE TIN ON TAIL

OPTIONS
-K: POLYIMIDE PAD (SEE SHT 3, FIG. 3)

SOLDER COMPOSITION & STYLE
*-1: 63.0% TIN / 37.0% LEAD CRIMP TAIL
-2: 95.5% TIN / 3.8% SILVER / .7% COPPER CRIMP TAIL

ROW
-04: 4 ROWS
-06: 6 ROWS
-08: 8 ROWS
*-10: 10 ROWS

* = NOT TOOLED



PATENT PENDING

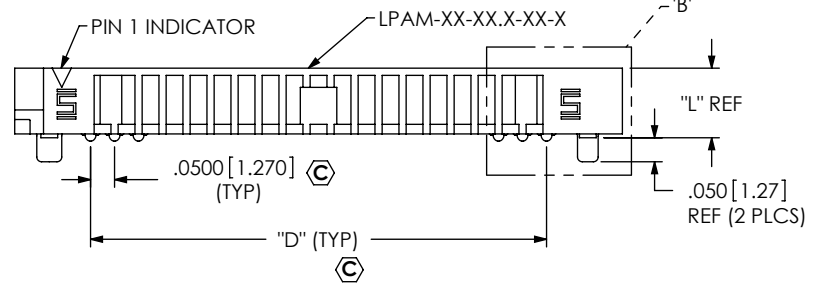


TABLE 5

-LEAD STYLE	"L"	"M"	"V"
-01.0	0.145 [3.68]	0.043 [1.09]	0.006 [0.15]
-01.5	0.165 [4.19]	0.063 [1.60]	0.017 [0.43]

TABLE 4

-No. OF ROWS	"H"	"J"	"K"
-04	0.272 [6.91]	0.226 [5.74]	0.322 [8.18]
-06	0.372 [9.45]	0.326 [8.28]	0.422 [10.72]
-08	0.472 [11.99]	0.426 [10.82]	0.522 [13.26]
*-10	0.572 [14.53]	0.526 [13.36]	0.622 [15.80]

* = NOT TOOLED

TABLE 3

No. OF POS. PER ROW	"A"	"B"	"C"	"D"	"E"	"F"	"G"
-10	0.766 [19.46]	0.290 [7.37]	0.716 [18.19]	0.450 [11.43]	0.622 [15.80]	9	0.450 [11.43]
-20	1.266 [32.16]	0.790 [20.07]	1.216 [30.89]	0.950 [24.13]	1.122 [28.50]	19	0.950 [24.13]
-30	1.766 [44.86]	1.290 [32.77]	1.716 [43.59]	1.450 [36.83]	1.622 [41.20]	29	1.450 [36.83]
-40	2.266 [57.56]	1.790 [45.47]	2.216 [56.29]	1.950 [49.53]	2.122 [53.90]	39	1.950 [49.53]
*-50	2.766 [70.26]	2.290 [58.17]	2.716 [68.99]	2.450 [62.23]	2.622 [66.60]	49	2.450 [62.23]

* = NOT TOOLED

TABLE 1

STACK HEIGHT

LPAM LEAD STYLE	LPAF LEAD STYLE	
	-03.0	-03.5
-01.0	.157 [4.00]	.177 [4.50]
-01.5	.177 [4.50]	.197 [5.00]

TABLE 2

LPAM ASSY	BODY CALLOUT	TERMINAL SUB ASSY
LPAM-XX-01.0-X-XX-X-X-TR	LPAM-XX-01.0-XX-X	SUB-T-1M78-01.0-X-X
LPAM-XX-01.5-X-XX-X-X-TR	LPAM-XX-01.5-XX-X	SUB-T-1M78-01.5-X-X

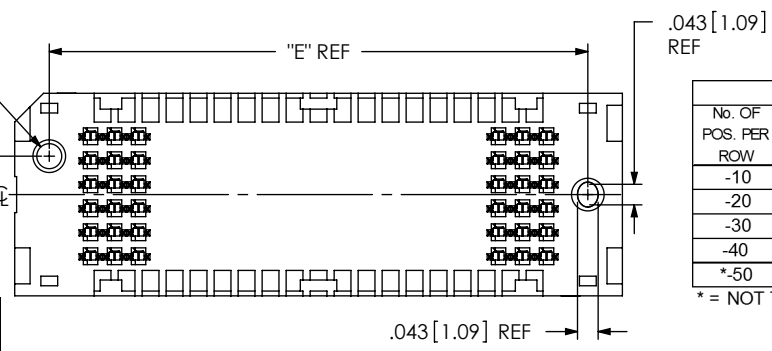


FIG 1
LPAM-20-01.0-X-06-2-K-TR SHOWN
(SOME CENTER FEATURES REMOVED FOR CLARITY)

- NOTES:
- ⊙ REPRESENTS A CRITICAL DIMENSION.
 - PUSH OUT FORCE .25LBS [1.11N].
 - DIMENSION TO BE MEASURED IN ALL FOUR CORNERS.
 - TAPE & REEL WILL BE SUPPLIED WHETHER OR NOT -TR IS SPECIFIED.
 - FOR QUANTITIES UP TO 49 PCS., NO LEADER, TRAILER OR REEL WILL BE SUPPLIED. FOR 50-124 PIECES, NO LEADER OR TRAILER WILL BE SUPPLIED.
 - NOTE DELETED.
 - ATTACH LABEL "SEAX-0001" TO EACH TAPE & REEL PACKAGE.

UNLESS OTHERWISE SPECIFIED, DIMENSIONS ARE IN INCHES[MILLIMETERS].

TOLERANCES ARE:

DECIMALS	ANGLES
.XX: ±.01 [.3]	2°
.XXX: ±.005 [.13]	
.XXXX: ±.0020 [.051]	

PROPRIETARY NOTE
THIS DOCUMENT CONTAINS INFORMATION CONFIDENTIAL AND PROPRIETARY TO SAMTEC, INC. AND SHALL NOT BE REPRODUCED OR TRANSFERRED TO OTHER DOCUMENTS OR DISCLOSED TO OTHERS OR USED FOR ANY PURPOSE OTHER THAN THAT WHICH IT WAS OBTAINED WITHOUT THE EXPRESSED WRITTEN CONSENT OF SAMTEC, INC.

MATERIAL: INSULATOR: LCP, COLOR: BLACK
TERMINAL: COPPER ALLOY

DO NOT SCALE DRAWING SHEET SCALE: 1:0.4

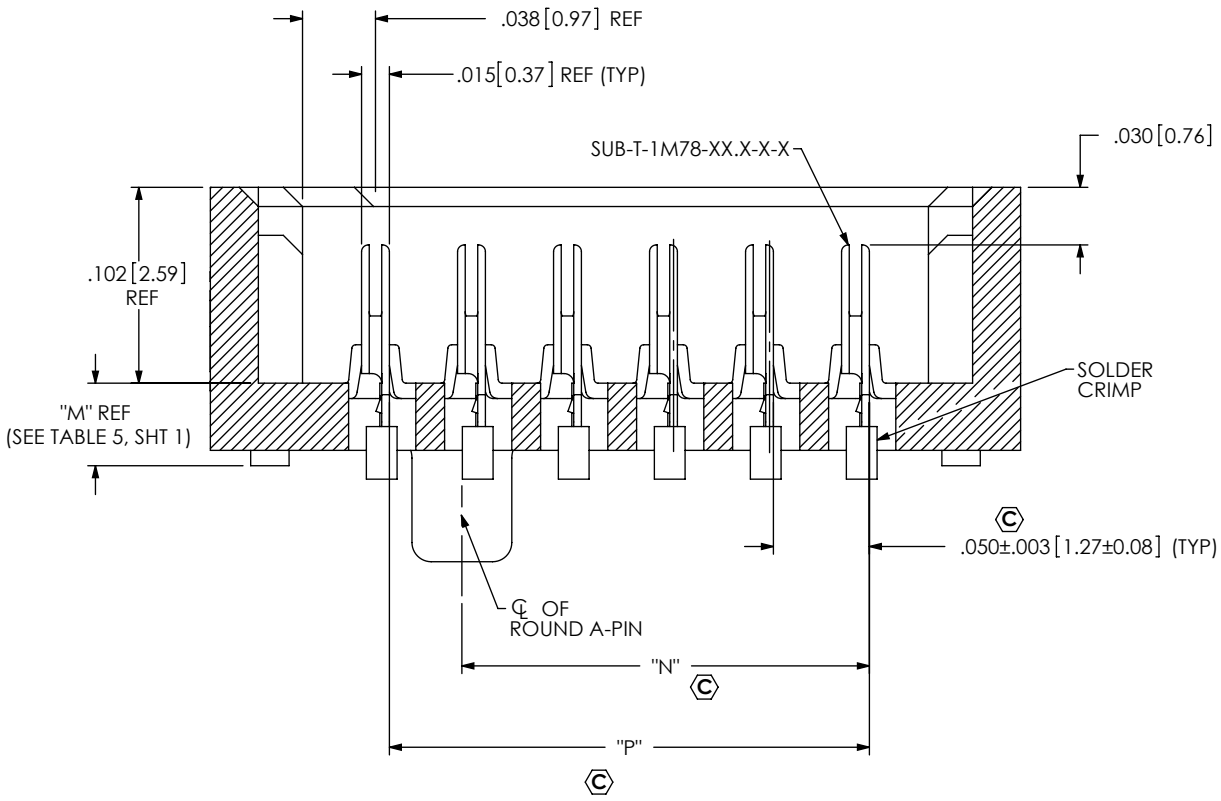
Samtec
520 PARK EAST BLVD, NEW ALBANY, IN 47150
PHONE: 812-944-6733 FAX: 812-948-5047
e-Mail: info@SAMTEC.com code 55322

DESCRIPTION: LPAM TERMINAL ARRAY ASSY

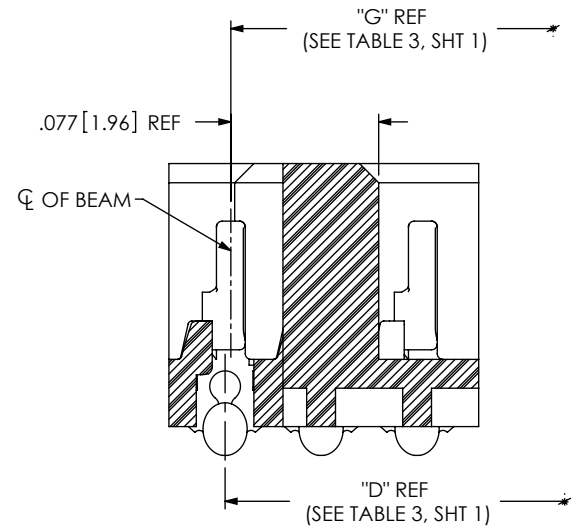
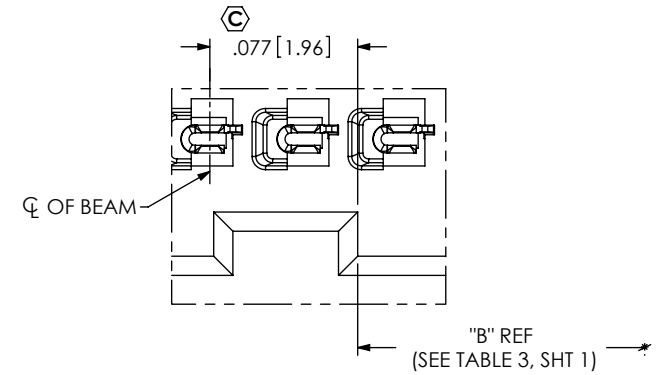
DWG. NO. **LPAM-XX-XX.X-X-XX-X-K-TR**

BY: KNOWLDEN 6/9/09 SHEET 1 OF 3

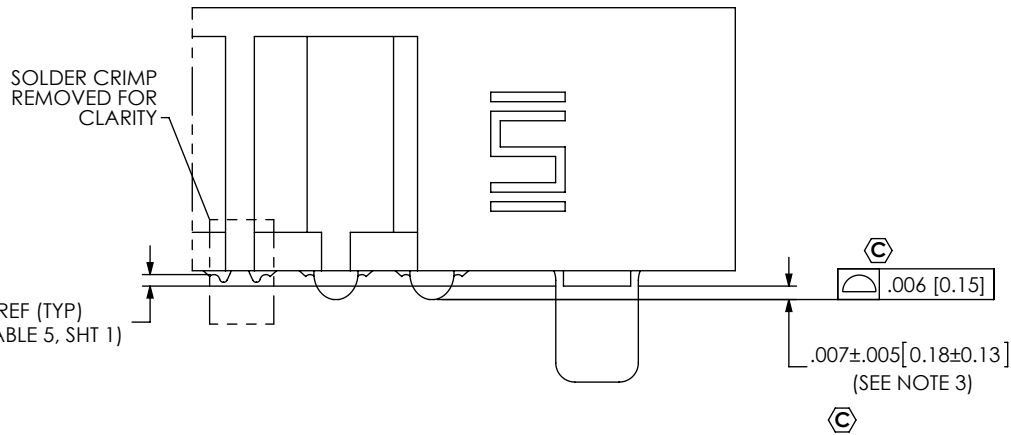
c:\enterprise\aut\DWG\MISC\MKTG\LPAM-XX-XX.X-X-XX-X-K-TR-MKT.SLDRW



SECTION "A"-"A"
SCALE 10 : 1



SECTION "C"-"C"
SCALE 10 : 1



DETAIL "B"
SCALE 10 : 1

TABLE 6


-No. OF ROWS	"N"	"P"
-04	0.162 [4.11]	0.150 [3.81]
-06	0.212 [5.38]	0.250 [6.35]
-08	0.262 [6.65]	0.350 [8.89]
*-10	0.312 [7.92]	0.450 [11.43]

*= NOT TOOLED

PROPRIETARY NOTE
THIS DOCUMENT CONTAINS INFORMATION CONFIDENTIAL AND PROPRIETARY TO SAMTEC, INC. AND SHALL NOT BE REPRODUCED OR TRANSFERRED TO OTHER DOCUMENTS OR DISCLOSED TO OTHERS OR USED FOR ANY PURPOSE OTHER THAN THAT WHICH IT WAS OBTAINED WITHOUT THE EXPRESSED WRITTEN CONSENT OF SAMTEC, INC.

DO NOT SCALE DRAWING

SHEET SCALE: 2:1



520 PARK EAST BLVD, NEW ALBANY, IN 47150
PHONE: 812-944-6733 FAX: 812-948-5047
e-Mail: info@SAMTEC.com code 55322

DESCRIPTION:
LPAM TERMINAL ARRAY ASSY

DWG. NO.
LPAM-XX-XX.X-X-XX-X-K-TR

BY: KNOWLDEN 6/9/09 SHEET 2 OF 3

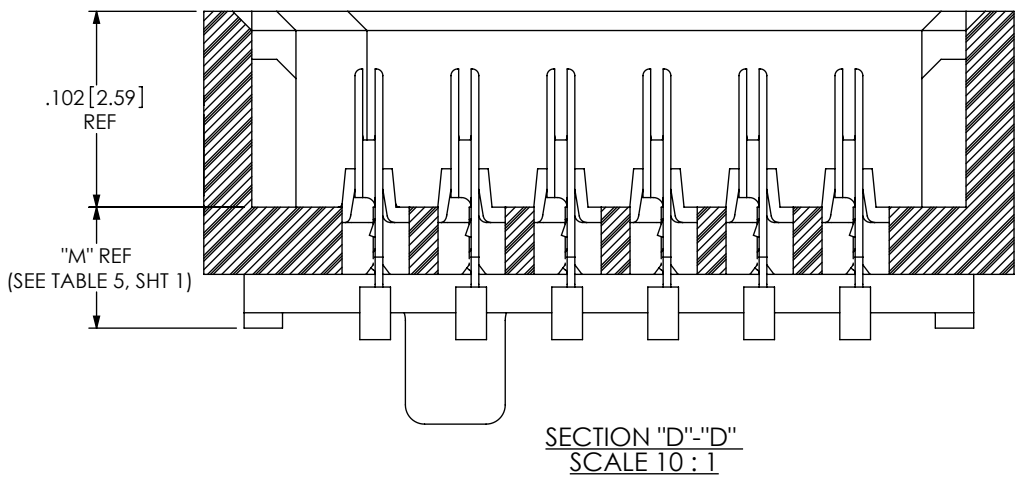
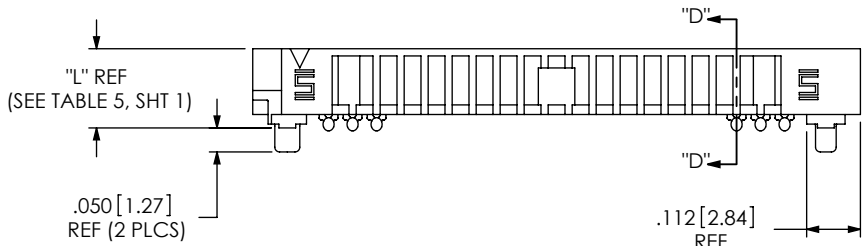


TABLE 7

ROWS	DOT APPLICATOR POLYIMIDE TAPE CALLOUT	"R"	"S"	"T"				
				10 POS.	20 POS.	30 POS.	*40 POS	*50 POS.
-04	K-DOT-.354-.469-.005	0.354 [8.99]	0.016 [0.41]	0.206 [5.23]	0.456 [11.58]	0.706 [17.93]	0.956 [24.28]	1.206 [30.63]
-06	K-DOT-.460-.550-.005	0.460 [11.68]	0.019 [0.48]	0.153 [3.89]	0.403 [10.24]	0.653 [16.59]	0.903 [22.94]	1.153 [29.29]
-08	K-DOT-.551-.625-.005	0.551 [14.00]	0.015 [0.37]	0.108 [2.74]	0.358 [9.09]	0.608 [15.44]	0.858 [21.79]	1.108 [28.14]
*-10	K-DOT-.649-.750-.005	0.649 [16.48]	0.014 [0.34]	0.059 [1.50]	0.309 [7.85]	0.559 [14.20]	0.809 [20.55]	1.059 [26.90]

*= NOT TOOLED

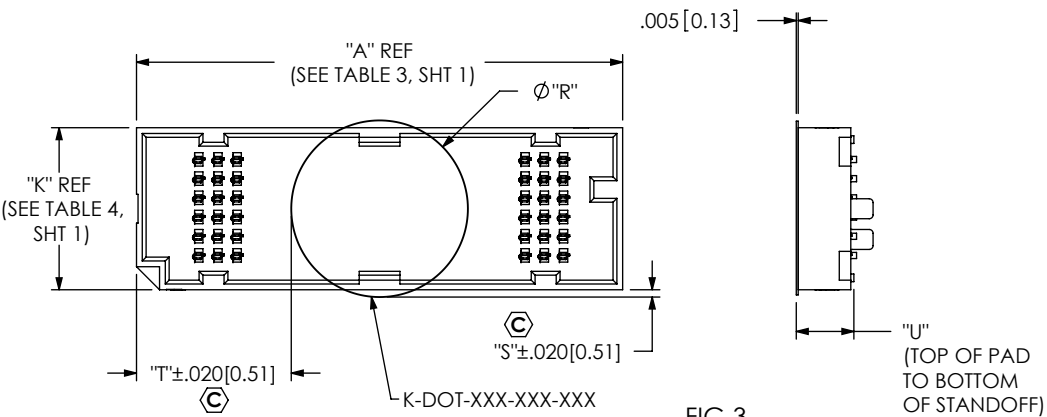


TABLE 8

-LEAD STYLE	"U"
-01.0	0.150 [3.81]
-01.5	0.170 [4.32]

PROPRIETARY NOTE
THIS DOCUMENT CONTAINS INFORMATION CONFIDENTIAL AND PROPRIETARY TO SAMTEC, INC. AND SHALL NOT BE REPRODUCED OR TRANSFERRED TO OTHER DOCUMENTS OR DISCLOSED TO OTHERS OR USED FOR ANY PURPOSE OTHER THAN THAT WHICH IT WAS OBTAINED WITHOUT THE EXPRESSED WRITTEN CONSENT OF SAMTEC, INC.

DO NOT SCALE DRAWING

SHEET SCALE: 2:1

520 PARK EAST BLVD, NEW ALBANY, IN 47150
PHONE: 812-944-6733 FAX: 812-948-5047
e-Mail: info@SAMTEC.com code 55322

DESCRIPTION:
LPAM TERMINAL ARRAY ASSY

DWG. NO.
LPAM-XX-XX.X-X-XX-X-K-TR

BY: KNOWLDEN 6/9/09 SHEET 3 OF 3