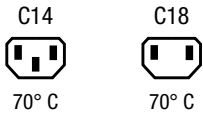


IEC Appliance Inlet C14/C18, Snap-in Mounting, Front Side, Solder or Quick-connect or Screw-on Terminal



Snap-In Version



Description

- Panel Mount:
Snap-in version, Front Side
- 1 Function:

- Appliance Inlet, Pin temperature 70 °C, protection class I or II
- Solder, Quick Connect or Screw Terminals

Approvals

- VDE Certificate Number: 40011871
- UL File Number: E96454
- CSA File Number: 27324
- CCC File Number: 2012010204576576

Weblinks

[pdf-datasheet](#), [html-datasheet](#), [General Product Information](#), [Approvals](#), [CE declaration of conformity](#), [RoHS](#), [CHINA-RoHS](#), [REACH](#), [Mating Connectors](#), [e-Shop](#), [SCHURTER-Stock-Check](#), [Distributor-Stock-Check](#), [CAD-Drawings](#), [Accessories](#), [Detailed request for product](#)

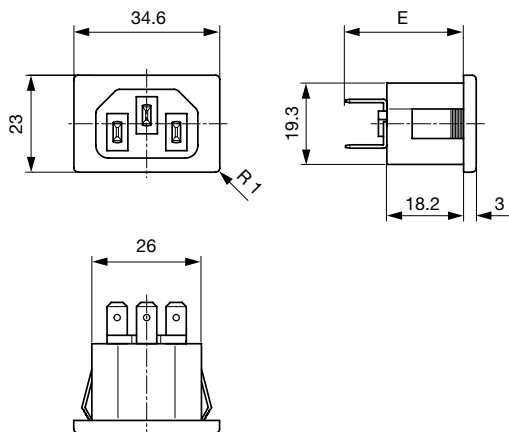
Technical Data

| | |
|---------------------------|---|
| Ratings IEC | 10A / 250VAC; 50/60Hz |
| Ratings UL/CSA | 15A / 250VAC; 60Hz |
| Dielectric Strength | > 2.5kVAC between L-N > 1.5kVAC between L/N-PE (1 min/50Hz) |
| Allowable Operation Temp. | -25 °C to 70 °C |
| Degree of Protection | from front side IP 20 acc. to IEC 60529 |
| Protection Class | Suitable for appliances with protection class I or II acc. to IEC 61140 |
| Terminal | Solder, Quick Connect or Screw Terminals |
| Panel Thickness s | Snap-in version 0.8 - 1.5/1.6 - 2.0 mm |
| Material: Housing | PA6, black or grey, UL 94V-0 |

| | |
|-----------------|--|
| Appliance Inlet | C14 / C18 acc. to IEC 60320 UL 498, CSA C22.2 no. 42 (for cold conditions) pin-temperature 70 °C, 10A, Protection Class I or II |
|-----------------|--|

Dimensions

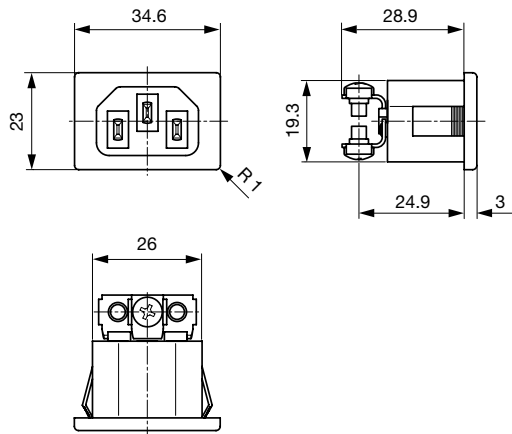
Quick connect or solder terminals



| Wandstärke panel thickness | Ausbruchmasse panel cutout |
|-------------------------------|--|
| 0.8 -1.5 mm | 28.8 ^{+0.2} x 19.4 ^{+0.2} mm |
| 1.6 - 2.0 mm | 29.6 ^{+0.2} x 19.4 ^{+0.2} mm |

- E: Solder terminals short: 23.7 mm
- E: Solder terminals long: 27.1 mm
- E: Quick connect terminals 4.8x0.8 mm: 27.9 mm
- E: Quick connect terminals 6.3x0.8 mm: 28.9 mm

Screw terminals



| Wandstärke panel thickness | Ausbruchmasse panel cutout |
|-------------------------------|--|
| 0.8 - 1.5 mm | 28.8 ^{+0.2} x 19.4 ^{+0.2} mm |
| 1.6 - 2.0 mm | 29.6 ^{+0.2} x 19.4 ^{+0.2} mm |

Config. Code

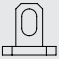
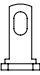


1061 - H - A B C 0 - D - E O

The characters are placeholders for the correspondingly keys of selections from the key tables.

1061 - H - A B C 0 - D - E O = Type

| Type | Configuration key |
|--------------------|-------------------|
| protection class 2 | B |
| protection class 1 | X |

1061 - H - A B C 0 - D - E O = Terminals

| Terminal L | Configuration key |
|--|-------------------|
| short solder terminal (L = 4.8 mm)  | 2 |
| long solder terminal (L = 8.5 mm)  | 3 |
| Blade terminal (4.8 x 0.8 mm)  | 8 |
| Blade terminal (6.3 x 0.8 mm)  | 9 |
| screw terminal | A |

1061 - H - A B C 0 - D - E O = Terminals

| Terminal N | Configuration key |
|------------------------------------|-------------------|
| short solder terminal (L = 4.8 mm) | 2 |
| long solder terminal (L = 8.5 mm) | 3 |
| Blade terminal (4.8 x 0.8 mm) | 8 |
| Blade terminal (6.3 x 0.8 mm) | 9 |
| screw terminal | A |

Symbols similar as in table A

1061 - H - A B C 0 - D - E O = Terminals

| Terminal Ground | Configuration key |
|------------------------------------|-------------------|
| without terminal | 0 |
| short solder terminal (L = 4.8 mm) | 2 |
| long solder terminal (L = 8.5 mm) | 3 |
| Blade terminal (4.8 x 0.8 mm) | 8 |
| Blade terminal (6.3 x 0.8 mm) | 9 |
| screw terminal | A |

Symbols similar as in table A

1061 - H - A B C 0 - D - E O = Color

| Color | Configuration key |
|-------|-------------------|
| Black | A |
| Grey | B |

1061 - H - A B C 0 - D - E O = Style

| Style | Configuration key |
|-----------------------|-------------------|
| snap-in standard type | 3 |

1061 - H - A B C 0 - D - E O = Features

| Features | Configuration key |
|----------------|-------------------|
| without V-Lock | |
| V-Lock | V |

All Variants

| Config. Code | Description | Order Number |
|-----------------|---|--------------|
| 1061-B-2200-A-3 | 1061, IEC Appliance Inlet C18, 70°C, version: Protection class II, L: short solder terminal (L = 4.8 mm), N: short solder terminal (L = 4.8 mm), ground: without terminal, color: Black, design: snap-in standard type | 6162.0003 |
| 1061-B-9900-A-3 | 1061, IEC Appliance Inlet C18, 70°C, version: Protection class II, L: Blade terminal (6.3 x 0.8 mm), N: Blade terminal (6.3 x 0.8 mm), ground: without terminal, color: Black, design: snap-in standard type | 6162.0004 |
| 1061-X-2220-A-3 | 1061, IEC Appliance Inlet C14, 70°C, version: Protection class I, L: short solder terminal (L = 4.8 mm), N: short solder terminal (L = 4.8 mm), ground: short solder terminal (L = 4.8 mm), color: Black, design: snap-in standard type | 6162.0005 |
| 1061-X-2220-B-3 | 1061, IEC Appliance Inlet C14, 70°C, version: Protection class I, L: short solder terminal (L = 4.8 mm), N: short solder terminal (L = 4.8 mm), ground: short solder terminal (L = 4.8 mm), color: Grey, design: snap-in standard type | 6162.0006 |
| 1061-X-3330-A-3 | 1061, IEC Appliance Inlet C14, 70°C, version: Protection class I, L: long solder terminal (L = 8.5 mm), N: long solder terminal (L = 8.5 mm), ground: long solder terminal (L = 8.5 mm), color: Black, design: snap-in standard type | 6162.0007 |
| 1061-X-3330-B-3 | 1061, IEC Appliance Inlet C14, 70°C, version: Protection class I, L: long solder terminal (L = 8.5 mm), N: long solder terminal (L = 8.5 mm), ground: long solder terminal (L = 8.5 mm), color: Grey, design: snap-in standard type | 6162.0008 |
| 1061-X-8880-A-3 | 1061, IEC Appliance Inlet C14, 70°C, version: Protection class I, L: Blade terminal (4.8 x 0.8 mm), N: Blade terminal (4.8 x 0.8 mm), ground: Blade terminal (4.8 x 0.8 mm), color: Black, design: snap-in standard type | 6162.0009 |
| 1061-X-9990-A-3 | 1061, IEC Appliance Inlet C14, 70°C, version: Protection class I, L: Blade terminal (6.3 x 0.8 mm), N: Blade terminal (6.3 x 0.8 mm), ground: Blade terminal (6.3 x 0.8 mm), color: Black, design: snap-in standard type | 6162.0010 |
| 1061-X-9990-B-3 | 1061, IEC Appliance Inlet C14, 70°C, version: Protection class I, L: Blade terminal (6.3 x 0.8 mm), N: Blade terminal (6.3 x 0.8 mm), ground: Blade terminal (6.3 x 0.8 mm), color: Grey, design: snap-in standard type | 6162.0011 |
| 1061-B-3300-A-3 | 1061, IEC Appliance Inlet C18, 70°C, version: Protection class II, L: long solder terminal (L = 8.5 mm), N: long solder terminal (L = 8.5 mm), ground: without terminal, color: Black, design: snap-in standard type | 6162.0160 |

The listet variants should be available from stock Other versions on request www.schurter.com/contact

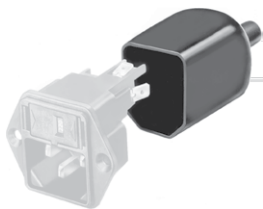
Most Popular.

Availability for all products can be searched real-time:<http://www.schurter.com/en/Stock-Check/Stock-Check-SCHURTER>

Packaging unit 50 Pcs

Accessories

Description



Assorted Covers
Rear Cover

Mating Outlets/Connectors

Category / Description

[Connector Overview complete](#)



| | |
|---|--------|
| IEC Connector C15A, Rewireable, Straight | 0102 |
| IEC Connector C15A, Rewireable, Straight | 0102-G |
| IEC Connector C15A, Rewireable, Angled | 0112 |
| IEC Connector C13, Rewireable, Angled | 4012 |
| IEC Connector C13, Rewireable, Straight | 4022 |
| Connector further types to 1061 | ... |

[Interconnection Cord Overview complete](#)



| | |
|--|-----------|
| Interconnection Cord C13, 10 A | 6007.0212 |
| Interconnection Cord C13, 10 A | 6007.0214 |
| Interconnection Cord further types to 1061 | |

Category / Description



[Power Cord Overview complete](#)

| | |
|---|-----------|
| Power Supply Cord with IEC plug C14, stripped end | 6007.0204 |
|---|-----------|

[Power Cord further types to 1061](#)

[Power Supply Cord Overview complete](#)



| | |
|---|-----------|
| Power Supply Cord with IEC Connector C13 straight, stripped end | 6000.0214 |
|---|-----------|

| | |
|---|-----------|
| Power Supply Cord with IEC Connector C13 angled, stripped end | 6000.0224 |
|---|-----------|

| | |
|---|-----------|
| EU Power Supply Cord with IEC Connector C13, straight | 6003.0215 |
|---|-----------|

| | |
|---|-----------|
| EU Power Supply Cord with IEC Connector C13, straight | 6004.0215 |
|---|-----------|

| | |
|---|-----------|
| US Power Supply Cord with IEC Connector C13, straight | 6009.1315 |
|---|-----------|

| | |
|---|-----|
| Power Supply Cord further types to 1061 | ... |
|---|-----|

[Power Supply or Interconnection Cord Overview complete](#)

| | |
|---|-----------|
| Diverse Power Supply and Interconnection Cords 10 A | 6003.0204 |
|---|-----------|

| | |
|---|-----------|
| Diverse Power Supply and Interconnection Cords 10 A | 6003.0205 |
|---|-----------|

| | |
|---|-----------|
| Diverse Power Supply and Interconnection Cords 10 A | 6026.0205 |
|---|-----------|

| | |
|---|-----------|
| UK Power Supply Cord with stripped ends | 6044.0204 |
|---|-----------|

| | |
|---|-----------|
| Diverse Power Supply and Interconnection Cords 10 A | 6045.0114 |
|---|-----------|

| | |
|--|-----|
| Power Supply or Interconnection Cord further types to 1061 | ... |
|--|-----|