



# Specification

## SFT825N-S

| SSC   |          | Customer |
|-------|----------|----------|
| Drawn | Approval | Approval |
|       |          |          |
|       |          |          |

# Contents

1. Feature & Application
2. Absolute Maximum Ratings .
3. Electro Characteristics
4. Optical characteristics
5. Color & Binning
6. Rank of SFT825N-S
7. Outline Dimension
8. Packing
9. Soldering
10. Precaution for use
11. Handling of Silicone Resin LEDs
12. Reliability Test Item and Condition

# SFT825N-S

## Description

This surface-mount LED comes in PLCC standard package dimension. It has a substrate made up of a molded plastic reflector sitting on top of a bent lead frame. The die is attached within the reflector cavity and the cavity is encapsulated by epoxy or silicone.

The package design coupled with careful selection of component materials allow these products to perform with high reliability in a larger temperature range -40 °C to 100 °C. The high reliability feature is crucial to Automotive interior and Indoor ESS.



# SFT825N-S

## Features

- Pb-free Reflow Soldering application
- RoHS Compliant
- 6-Pin (R,G,B separate) type
- White colored SMT package
- Suitable for all SMT assembly methods
- ESD-withstand voltage : up to 2 kV (MIL-STD-883D)
- Encapsulating Resin : silicone resin
- High Reliability (silicone resin)

## Applications

- Indoor and outdoor displays
- LCD Backlights etc.
- R G B –displays
- Automotive
- Signage and Channel letter
- Indicator

## 2. Absolute maximum ratings

(Ta=25°C)

| Parameter                     | Symbol    | Value      |       |       | Unit |
|-------------------------------|-----------|------------|-------|-------|------|
|                               |           | Red        | Green | Blue  |      |
| Forward Current               | $I_F$     | 30         | 30    | 30    | mA   |
| Forward Peak Surge Current *2 | $I_{FM}$  | 100        | 100   | 100   | mA   |
| Reverse Voltage (per die)     | $V_R$     | 5          |       |       | V    |
| Power Dissipation             | $P_d$     | 81*3       | 120*3 | 114*3 | mW   |
|                               |           | 263*4      |       |       |      |
| Operating Temperature         | $T_{opr}$ | -40 ~ +100 |       |       | °C   |
| Storage Temperature           | $T_{stg}$ | -40 ~ +100 |       |       | °C   |

\*1 Care is to be taken that power dissipation does not exceed the absolute maximum rating of the product.

\*2 IFM was measured at TW ≤ 1msec of pulse width and D ≤ 1/10 of duty ratio.

\*3 The value for one LED device.(Single color)

\*4 The value for total power dissipation when two and more devices are lit simultaneously.

### 3. Electric & Optical characteristics

(Ta=25°C)

| Parameter                           | Symbol  | Condition       | Min                               | Typ | Max  | Unit |               |
|-------------------------------------|---------|-----------------|-----------------------------------|-----|------|------|---------------|
| Forward Voltage                     | Red     | $V_F$           | $I_F = 20\text{mA}$               | 1.8 | 2.1  | 2.3  | V             |
|                                     | Green   |                 | $I_F = 20\text{mA}$               | 3.0 | 3.2  | 3.8  |               |
|                                     | Blue    |                 | $I_F = 20\text{mA}$               | 3.0 | 3.2  | 3.6  |               |
| Reverse Current                     | Red     | $I_R$           | $V_R = 10\text{V}$<br>(per die)   | -   | -    | 1    | $\mu\text{A}$ |
|                                     | Green   |                 |                                   | -   | -    | 1    |               |
|                                     | Blue    |                 |                                   | -   | -    | 1    |               |
| Luminance Intensity *1              | Red     | $I_V$           | $I_F = 20\text{mA}$<br>(per chip) | -   | 700  | 1100 | mcd           |
|                                     | Green   |                 |                                   | -   | 1200 | 1600 |               |
|                                     | Blue    |                 |                                   | -   | 400  | 560  |               |
| Luminance Flux                      | Red     | $\Phi_V$        | $I_F = 20\text{mA}$<br>(per chip) | -   | 1.7  | -    | lm            |
|                                     | Green   |                 |                                   | -   | 2.8  | -    |               |
|                                     | Blue    |                 |                                   | -   | 0.93 | -    |               |
| Peak Wavelength                     | Red     | $\lambda_p$     | $I_F = 20\text{mA}$               | -   | 632  | -    | nm            |
|                                     | Green   |                 | $I_F = 20\text{mA}$               | -   | 518  | -    |               |
|                                     | Blue    |                 | $I_F = 20\text{mA}$               | -   | 453  | -    |               |
| Dominant Wavelength                 | Red     | $\lambda_d$     | $I_F = 20\text{mA}$               | 620 | 623  | 625  | nm            |
|                                     | Green   |                 | $I_F = 20\text{mA}$               | 520 | 527  | 535  |               |
|                                     | Blue    |                 | $I_F = 20\text{mA}$               | 455 | 460  | 465  |               |
| Spectral Bandwidth                  | Red     | $\Delta\lambda$ | $I_F = 20\text{mA}$               | -   | 14   | -    | nm            |
|                                     | Green   |                 | $I_F = 20\text{mA}$               | -   | 33   | -    |               |
|                                     | Blue    |                 | $I_F = 20\text{mA}$               | -   | 23   | -    |               |
| Viewing Angle *3                    | R, G, B | $2\theta_{1/2}$ | $I_F = 20\text{mA}$<br>(per die)  | -   | 120  | -    | deg.          |
| Optical Efficiency                  | Red     | $\eta_{op}$     | $I_F = 20\text{mA}$<br>(per chip) | -   | 41   | -    | lm/W          |
|                                     | Green   |                 |                                   | -   | 44   | -    |               |
|                                     | Blue    |                 |                                   | -   | 15   | -    |               |
| Thermal Resistance<br>(one chip on) | Red     | $R_{thja}$      | $I_F = 20\text{mA}$               | -   | 278  | -    | K/W           |
|                                     | Green   |                 | $I_F = 20\text{mA}$               | -   | 277  | -    |               |
|                                     | Blue    |                 | $I_F = 20\text{mA}$               | -   | 220  | -    |               |

\*1 The luminous intensity  $I_V$  was measured at the peak of the spatial pattern which may not be aligned with the mechanical axis of the LED package.

Luminous Intensity Measurement allowance is  $\pm 10\%$

\*2 Please refer to CIE 1931 chromaticity diagram

\*3  $2\theta_{1/2}$  is the off-axis where the luminous intensity is 1/2 of the peak intensity.

[Note] All measurements were made under the standardized environment of SSC.

Rev. 07

June 2009

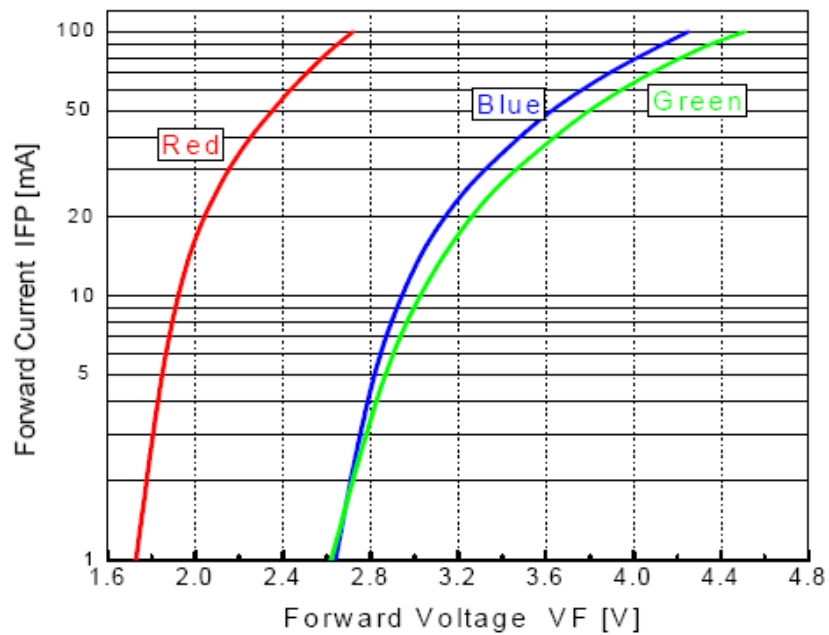
[www.acriche.com](http://www.acriche.com)

Document No. : SSC-QP-7-07-24 (Rev.00)

### 4. Optical characteristics

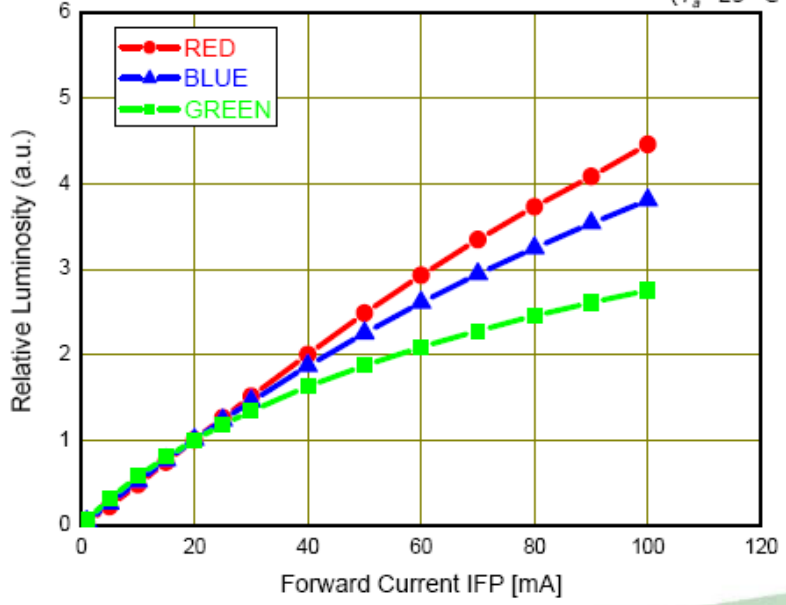
Forward Current vs. Forward Voltage (per die)

( $T_a=25\text{ }^\circ\text{C}$ )



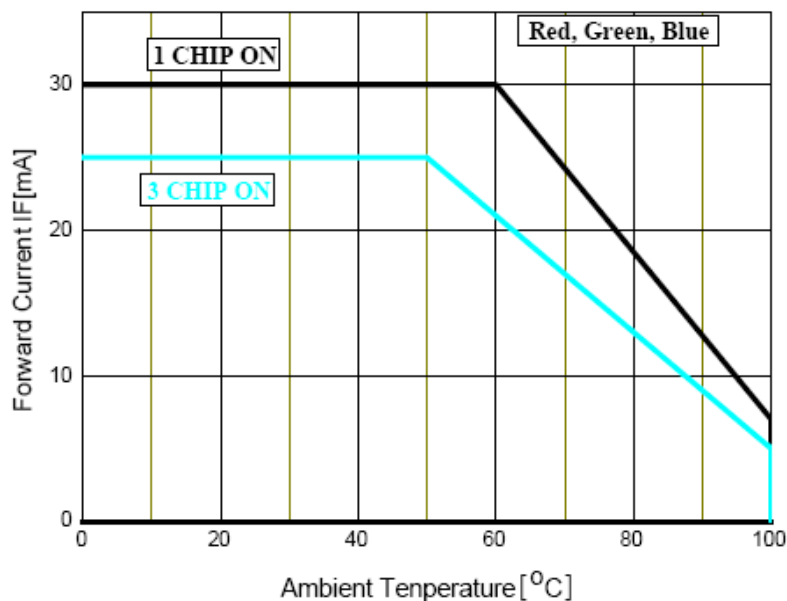
Relative Luminous Intensity vs Forward Current

( $T_a=25\text{ }^\circ\text{C}$ )

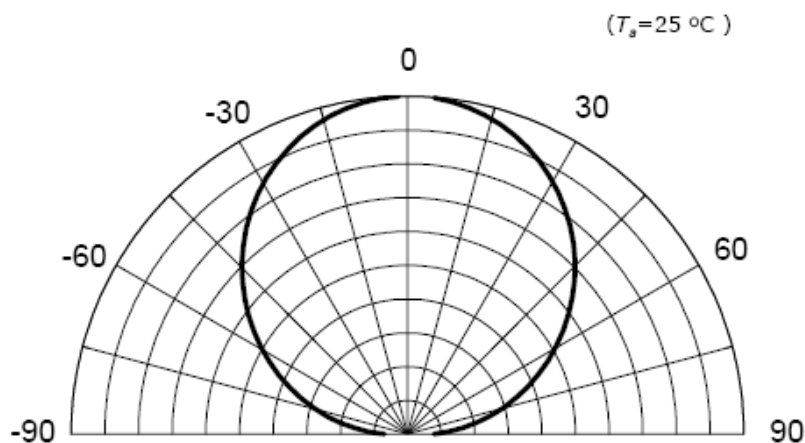


### 4. Optical characteristics

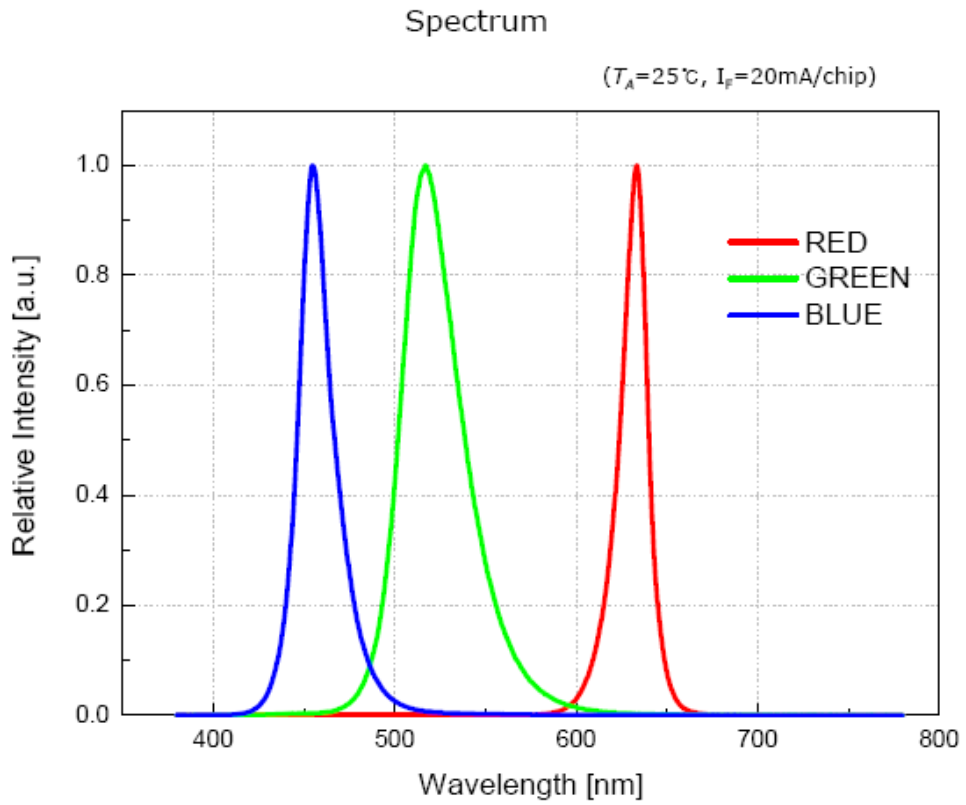
Ambient Temperature vs. Allowable Forward Current (per die)



Radiation Diagram



### 4. Optical characteristics

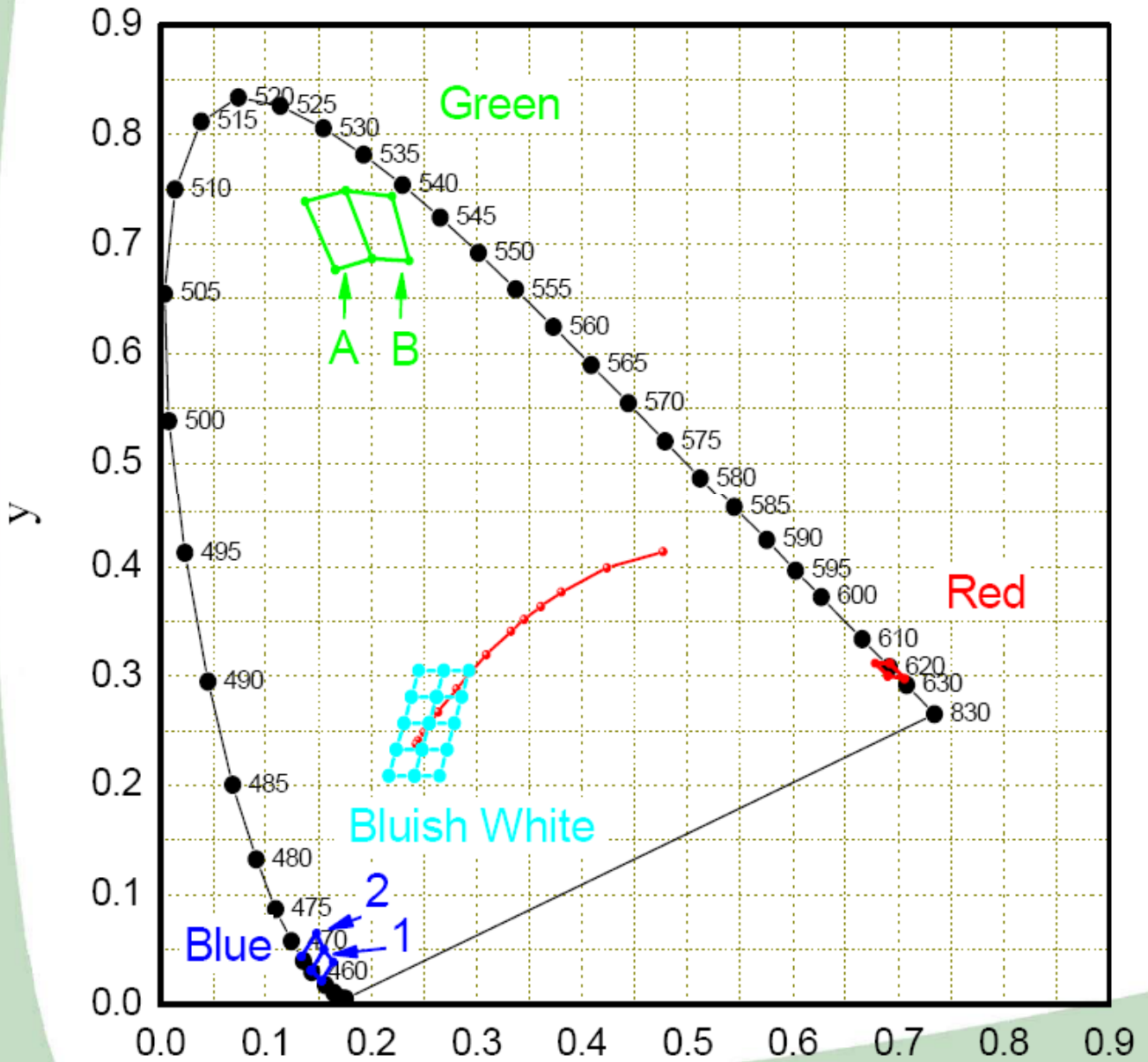




### 5. Color & Binning

1) RGB Balance

| Red   |       | Green : A |       | Green : B |       | Blue : 1 |       | Blue : 2 |       |
|-------|-------|-----------|-------|-----------|-------|----------|-------|----------|-------|
| x     | y     | x         | y     | x         | y     | x        | y     | x        | y     |
| 0.690 | 0.300 | 0.166     | 0.677 | 0.201     | 0.687 | 0.153    | 0.022 | 0.143    | 0.031 |
| 0.706 | 0.298 | 0.201     | 0.687 | 0.236     | 0.685 | 0.164    | 0.039 | 0.155    | 0.050 |
| 0.692 | 0.312 | 0.176     | 0.749 | 0.220     | 0.744 | 0.155    | 0.050 | 0.148    | 0.065 |
| 0.678 | 0.312 | 0.137     | 0.739 | 0.176     | 0.749 | 0.143    | 0.031 | 0.134    | 0.044 |



## 5. Color & Binning

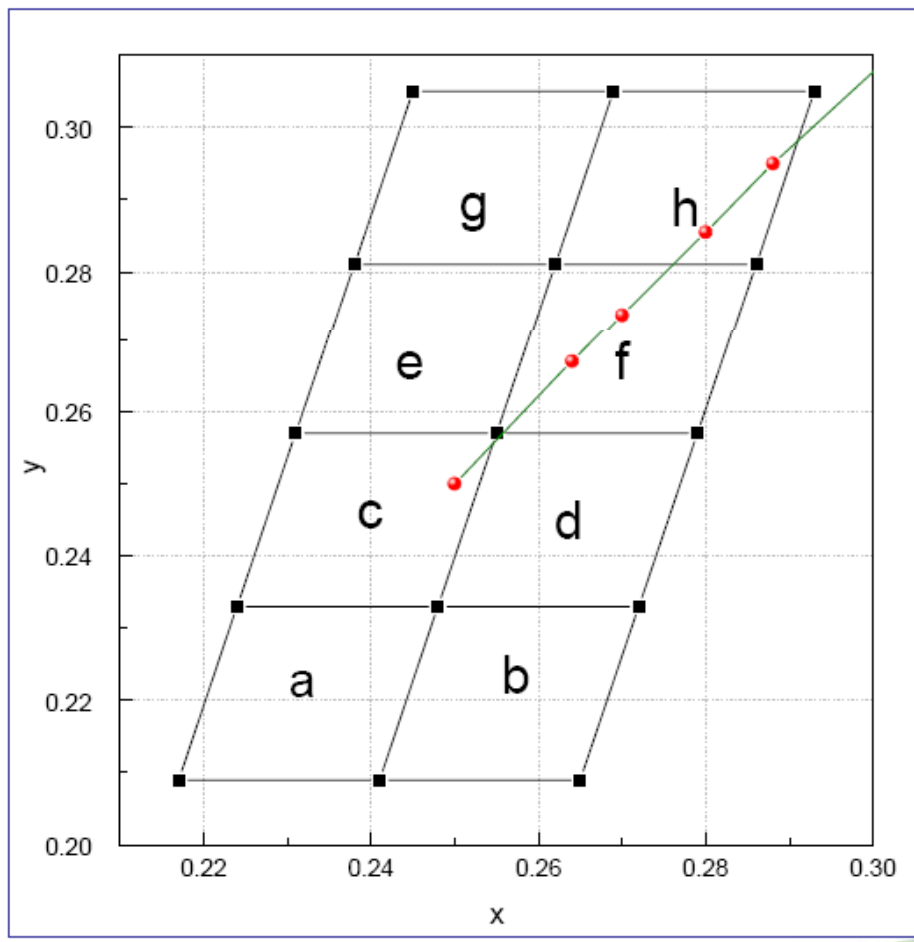
### 2) White Balance

- ◆ Target of Color : Bluish White (Cool White)
- Color Coordinates (typ.): x 0.255 , y 0.257
- I<sub>f</sub> Condition = 12mA for Red / 20mA for Green / 12mA for Blue
- 1 Bin, Cell Size = x 0.025 , y 0.031
- 9 Bin, Total Cell Size = x 0.052 , y 0.112
- Color Rank : a, b, c, d, e, f, g, h (8 BIN)

| a     |       | b     |       | c     |       | d     |       | e     |       |
|-------|-------|-------|-------|-------|-------|-------|-------|-------|-------|
| x     | y     | x     | y     | x     | y     | x     | y     | x     | y     |
| 0.217 | 0.209 | 0.241 | 0.209 | 0.224 | 0.233 | 0.248 | 0.233 | 0.231 | 0.257 |
| 0.241 | 0.209 | 0.265 | 0.209 | 0.248 | 0.233 | 0.272 | 0.233 | 0.255 | 0.257 |
| 0.248 | 0.233 | 0.272 | 0.233 | 0.255 | 0.257 | 0.279 | 0.257 | 0.262 | 0.281 |
| 0.224 | 0.233 | 0.248 | 0.233 | 0.231 | 0.257 | 0.255 | 0.257 | 0.238 | 0.281 |

| f     |       | g     |       | h     |       |
|-------|-------|-------|-------|-------|-------|
| x     | y     | x     | y     | x     | y     |
| 0.255 | 0.257 | 0.238 | 0.281 | 0.262 | 0.281 |
| 0.279 | 0.257 | 0.262 | 0.281 | 0.286 | 0.281 |
| 0.286 | 0.281 | 0.269 | 0.305 | 0.293 | 0.305 |
| 0.262 | 0.281 | 0.245 | 0.305 | 0.269 | 0.305 |

● Measurement Uncertainty of the Color Coordinates : ± 0.01



## 6. Rank of SFT825N-S

### 1) Rank Name

|                |                |                |                |
|----------------|----------------|----------------|----------------|
| X <sub>1</sub> | X <sub>2</sub> | X <sub>3</sub> | X <sub>4</sub> |
| Total Iv       | Green Color    | Blue Color     | White Color    |

### 2) Test Condition

| Parameter       | Symbol         | Value |    |    | Unit |
|-----------------|----------------|-------|----|----|------|
|                 |                | R     | G  | B  |      |
| Forward Current | I <sub>f</sub> | 20    | 20 | 20 | mA   |
| Reverse Voltage | V <sub>r</sub> | 10    | 10 | 10 | V    |

### 3) Luminous Intensity [I<sub>v</sub>]

| Rank Name | Total I <sub>v</sub> |      | Unit |
|-----------|----------------------|------|------|
|           | MIN                  | MAX  |      |
| N         | 1460                 | 1900 | mcd  |
| O         | 1900                 | 2500 |      |
| P         | 2500                 | 2880 |      |

### 4) Forward Voltage [V<sub>f</sub>]

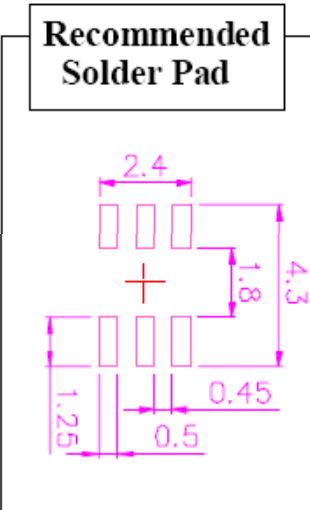
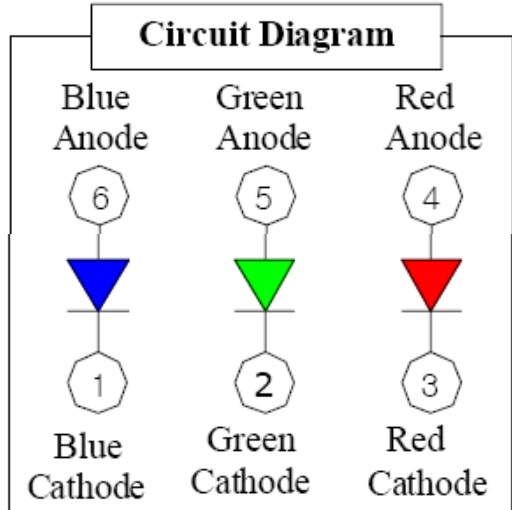
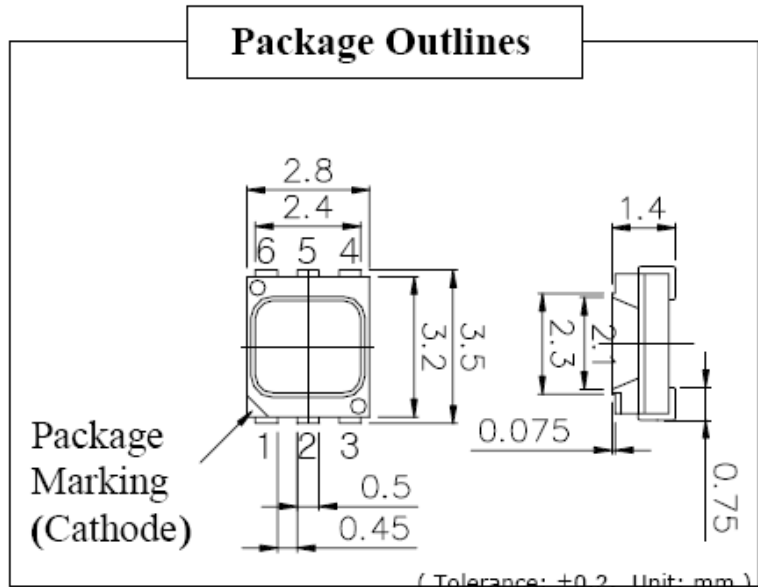
| R   |     | G   |     | B   |     | Unit |
|-----|-----|-----|-----|-----|-----|------|
| MIN | MAX | MIN | MAX | MIN | MAX |      |
| 1.8 | 2.3 | 3.0 | 3.8 | 3.0 | 3.6 | V    |

### 5) Reverse Current [I<sub>r</sub>]

| R   |     | G   |     | B   |     | Unit |
|-----|-----|-----|-----|-----|-----|------|
| MIN | MAX | MIN | MAX | MIN | MAX |      |
| -   | 1   | -   | 1   | -   | 1   | uA   |

[Note] All measurements were made under the standardized environment of SSC.  
 In order to ensure availability, single color rank will not be orderable.

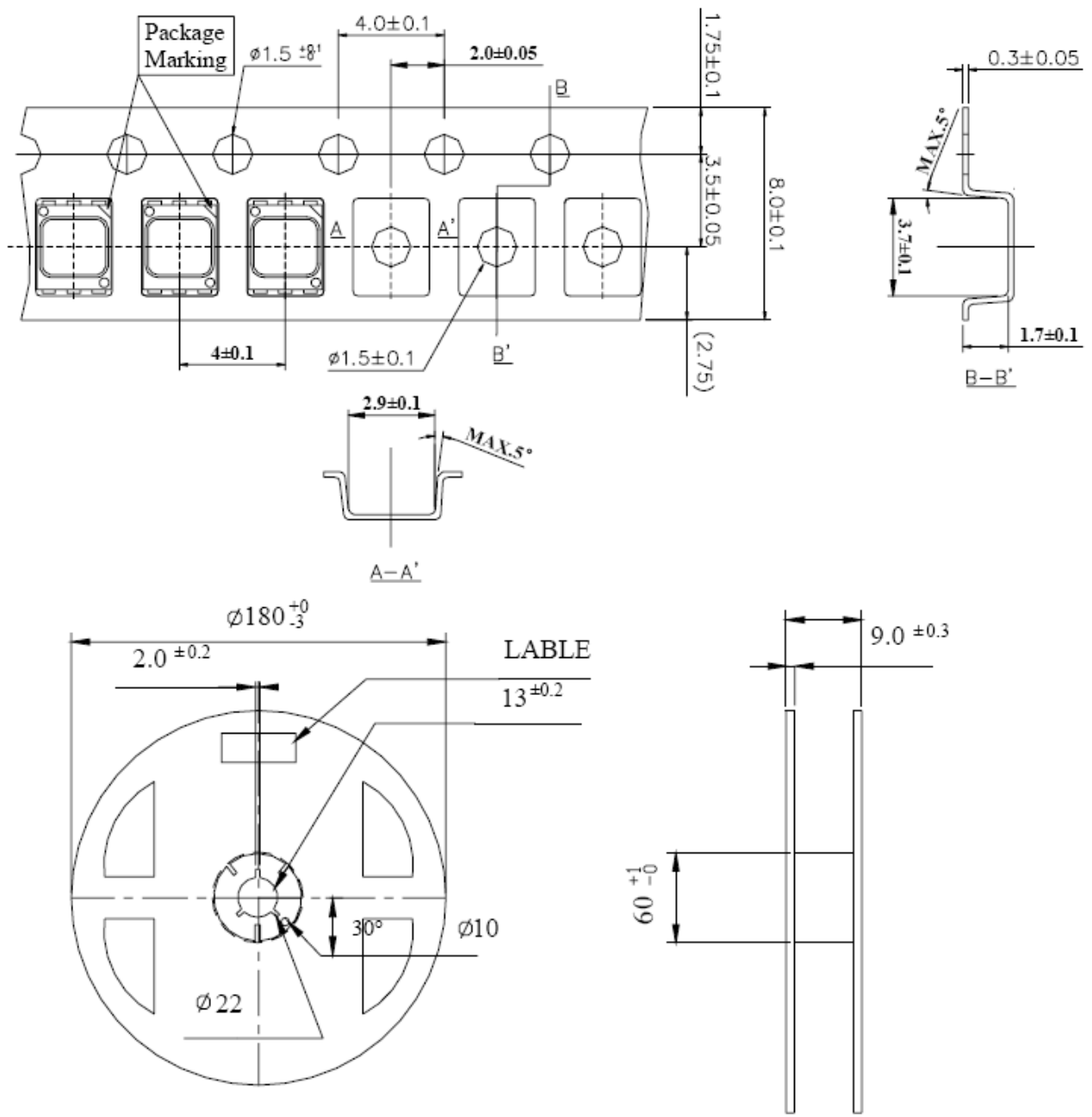
7.Outline Dimension



\* MATERIALS

| PARTS               | MATERIALS                      |
|---------------------|--------------------------------|
| Package             | Heat-Resistant Polymer         |
| Encapsulating Resin | Hard Silicone Resin (Diffused) |
| Electrodes          | Ag Plating Copper Alloy        |

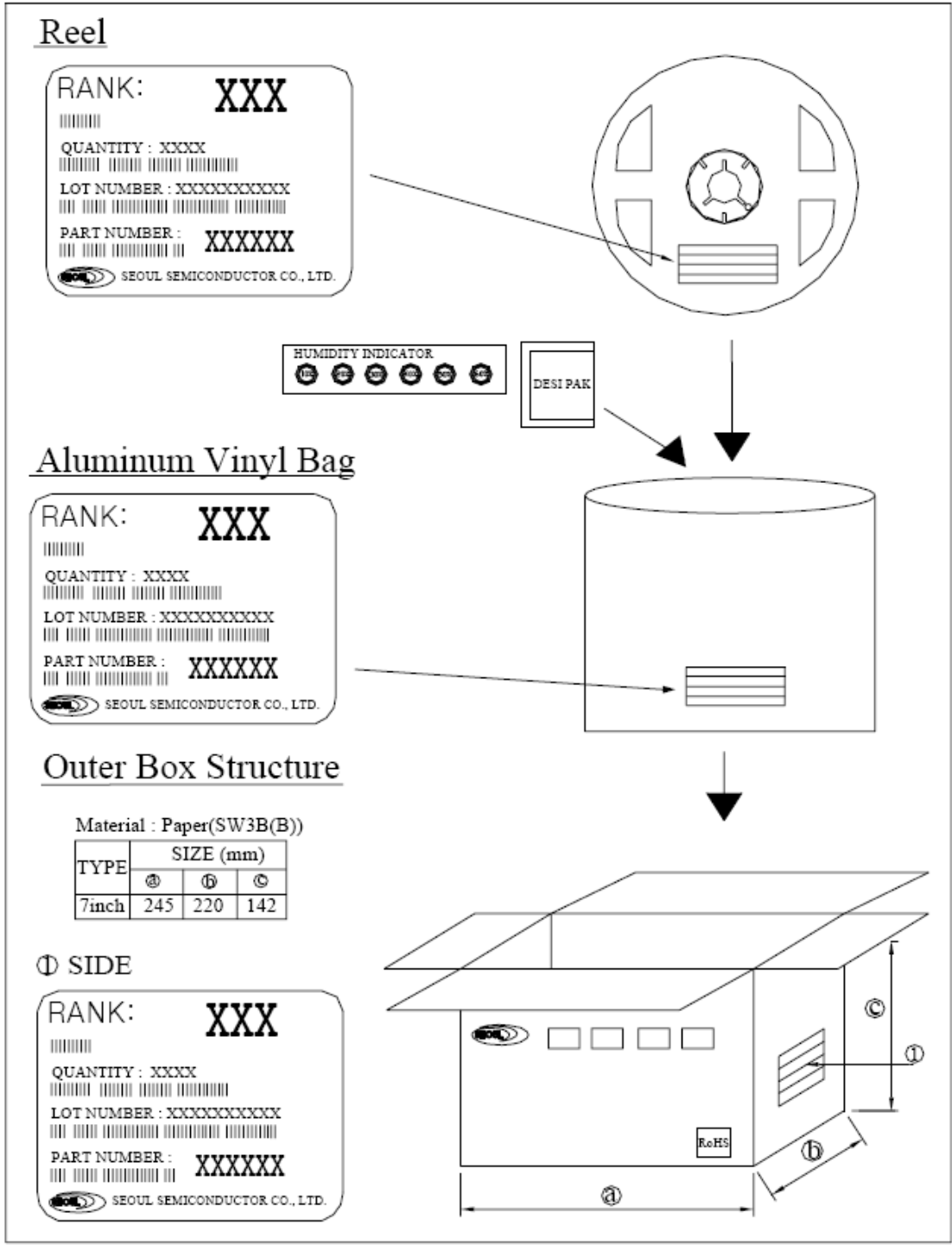
### 8. Packing



( Tolerance:  $\pm 0.2$ , Unit: mm )

- (1)Quantity : 2000 pcs/Reel
- (2)Cumulative Tolerance : Cumulative Tolerance/10 pitches to be  $\pm 0.2$ mm
- (3)Adhesion Strength of Cover Tape : Adhesion strength to be 0.1-0.7N when the cover tape is turned off from the carrier tape at the angle of  $10^\circ$  to the carrier tape
- (4)Package : P/N, Manufacturing data Code No. and quantity to be indicated on a damp proof Package

● Reel Packing Structure



### 9. Lot Number

The lot number is composed of the following characters;

SFT□□◎◎ # ~ #

MFT -First Part Name

○ - Year ( 6 for 2006, 7 for 2007, 8 for 2008 )

□□ - Month ( 01 for Jan., 02 for Feb., .....11 for Nov., 12 for Dec.)

◎◎ - Day ( 01, 02, 03, 04, .....28, 29, 30, 31.)

# ~# - The number of the internal quality control

RANK: **XXX**

|||||

QUANTITY : 2000

||||| ||||| ||||| |||||

LOT NUMBER : SFT70426 01 512

|||| |||| ||||| ||||| ||||| |||||

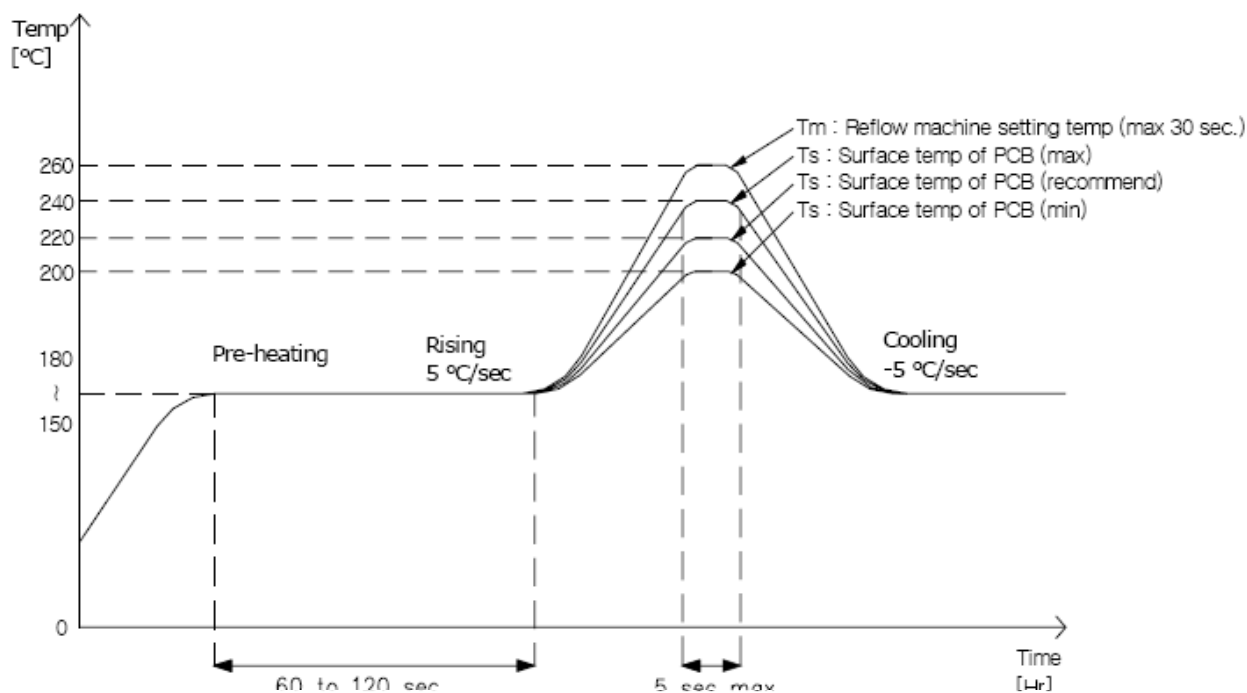
PART NUMBER : SFT825N-S

|||| |||| ||||| |||||

 SEOUL SEMICONDUCTOR CO., LTD.

## 10. Soldering

### (1) Reflow Soldering Conditions / Profile (Lead Free Solder)



### (3) Hand Soldering conditions

Do not exceed 4 seconds at maximum 315°C under soldering iron.

### (4) The encapsulated material of the LEDs is silicone.

Precautions should be taken to avoid the strong pressure on the encapsulated part.

So when using the chip moulder, the picking up nozzle that does not affect the silicone resin should be used.

Note : In case that the soldered products are reused in soldering process, we don't guarantee the products.



## 11. Precaution for use

### (1) Storage

In order to avoid the absorption of moisture, it is recommended to store in a dry box (or a desiccator) with a desiccant. Otherwise, to store them in the following environment is recommended.

Temperature : 5°C ~30°C Humidity : maximum 70%RH

### (2) Attention after open.

LED is correspond to SMD, when LED be soldered dip, interfacial separation may affect the light transmission efficiency, causing the light intensity to drop.

Attention in followed;

Keeping of a fraction

Temperature : 5 ~ 40°C Humidity : less than 10%

(3) In the case of more than 1 week passed after opening or change color of indicator on desiccant, components shall be dried 10-12hr. at 60±5°C.

(4) Any mechanical force or any excess vibration shall not be accepted to apply during cooling process to normal temperature after soldering.

(5) Quick cooling shall be avoided.

(6) Components shall not be mounted on warped direction of PCB.

(7) Anti radioactive ray design is not considered for the products.

(8) This device should not be used in any type of fluid such as water, oil, organic solvent etc. When washing is required, IPA should be used.

(9) When the LEDs are illuminating, operating current should be decided after considering the ambient maximum temperature.

(10) The LEDs must be soldered within seven days after opening the moisture-proof packing.

(11) Repack unused products with anti-moisture packing, fold to close any opening and then store in a dry place.

(12) The appearance and specifications of the product may be modified for improvement without notice.

## 12. Reliability Test Item and Condition

| Item                                     | Reference          | Test Condition  | Duration / Cycle | Number of Damage |
|--|--------------------|---|------------------|------------------|
| Thermal Shock                            | EIAJ ED-4701       | $T_a = -40^{\circ}\text{C}$ (30MIN) $\sim$ $100^{\circ}\text{C}$ (30MIN)  | 100 Cycle        | 0/22             |
| Temperature Cycle                        | EIAJ ED-4701       | $T_a = -40^{\circ}\text{C}$ (30MIN) $\sim$ $25^{\circ}\text{C}$ (5MIN)<br>$\sim$ $100^{\circ}\text{C}$ (30MIN) $\sim$ $25^{\circ}\text{C}$ (5MIN) | 100 Cycle        | 0/22             |
| High Temperature Storage                 | EIAJ ED-4701       | $T_a = 100^{\circ}\text{C}$   | 1000 Hours       | 0/22             |
| High Temperature High Humidity Storage   | EIAJ ED-4701       | $T_a = 85^{\circ}\text{C}$ , RH=85%   | 1000 Hours       | 0/22             |
| Low Temperature Storage                  | EIAJ ED-4701       | $T_a = -40^{\circ}\text{C}$   | 1000 Hours       | 0/22             |
| Operating Endurance Test                 | Internal Reference | $T_a = 25^{\circ}\text{C}$ , $I_F = 20\text{mA}$  | 1000 Hours       | 0/22             |
| High Temperature High Humidity Life Test | Internal Reference | $T_a = 85^{\circ}\text{C}$ , RH=85%, $I_F = 15\text{mA}$  | 300 Hours        | 0/22             |
| High Temperature Life Test               | Internal Reference | $T_a = 85^{\circ}\text{C}$ , $I_F = 20\text{mA}$  | 500 Hours        | 0/22             |
| Low Temperature Life Test                | Internal Reference | $T_a = -40^{\circ}\text{C}$ , $I_F = 20\text{mA}$   | 1000 Hours       | 0/22             |
| ESD(HBM)                                 | MIL-STD-883D       | 1KV at 1.5k $\Omega$ ; 100pF  | 3 Time           | 0/22             |

### □ Criteria for Judging the Damage

| Item               | Symbol | Condition           | Criteria for Judgement |                    |
|--------------------|--------|---------------------|------------------------|--------------------|
|                    |        |                     | MIN                    | MAX                |
| Forward Voltage    | $V_F$  | $I_F = 20\text{mA}$ | -                      | USL*1 $\times$ 1.2 |
| Reverse Current    | $I_R$  | $V_R = 5\text{V}$   | -                      | USL*1 $\times$ 2.0 |
| Luminous Intensity | $I_V$  | $I_F = 20\text{mA}$ | LSL*2 $\times$ 0.5     | -                  |

Note : \*1 USL : Upper Standard Level

\*2 LSL : Lower Standard Level