



Pb Free

Specification

WH107

| SSC | | Customer |
|-------|----------|----------|
| Drawn | Approval | Approval |
| | | |

[Contents]

- 1. Description**
- 2. Absolute maximum ratings**
- 3. Electro-Optical characteristics**
- 4. Characteristic diagrams**
- 5. Reliability result**
- 6. Rank**
- 7. Outline Dimension**
- 8. Material**
- 9. Reel Structure**
- 10. Packing**
- 11. Soldering profile**
- 12. Precaution for Use**

WH107

1. Description

- Small size suitable for compact appliances.
- Surface-mounted chip LED device.
- Pb-free and RoHS complaint component.
- High brightness, High efficiency
- Tape and Reel packing.
- Increases the life time of battery.



WH107

Features

- 1.6 X 0.8 X 0.25 mm
- White color lighting SMD Chip LED
- Flat Molding

Applications

- ◆ Cellular phone's keypad lightning
- ◆ Information Boards

2. Absolute maximum ratings

(Ta=25℃)

| Parameter | Symbol | Value | Unit |
|-----------------------|---------------|-----------|------|
| Power Dissipation | P_d | 46.5 | mW |
| Forward Current | I_F | 15 | mA |
| Peak Forward Current | I_{FM}^{*1} | 50 | mA |
| Operating Temperature | $T_{opr.}$ | -40 ~ 85 | ℃ |
| Storage Temperature | $T_{stg.}$ | -40 ~ 100 | ℃ |

*1 I_{FM} conditions: Pulse width $T_w \leq 1\text{msec}$ and Duty ratio $\leq 1/10$.

3. Electro-Optical Characteristics

(Ta=25℃)

| Parameter | Symbol | Condition | Min | Typ | Max | Unit |
|----------------------------|-----------------|--------------------|-------|-------|-------|------|
| Forward Voltage | V_F | $I_F = 5\text{mA}$ | 2.7 | 2.9 | 3.1 | V |
| Reverse Current | I_R | $V_R = 5\text{V}$ | - | - | 10 | uA |
| Luminous Intensity*2 | I_v | $I_F = 5\text{mA}$ | 100 | 150 | 230 | mcd |
| Chromaticity Coordinates*3 | X | $I_F = 5\text{mA}$ | 0.227 | 0.270 | 0.321 | |
| | Y | $I_F = 5\text{mA}$ | 0.220 | 0.265 | 0.310 | |
| Viewing Angle (Y) | $2\theta_{1/2}$ | $I_F = 5\text{mA}$ | - | 126 | - | ° |

*2 The luminous intensity I_v is measured at the peak of the spatial pattern which may not be aligned with the mechanical axis of the LED package.

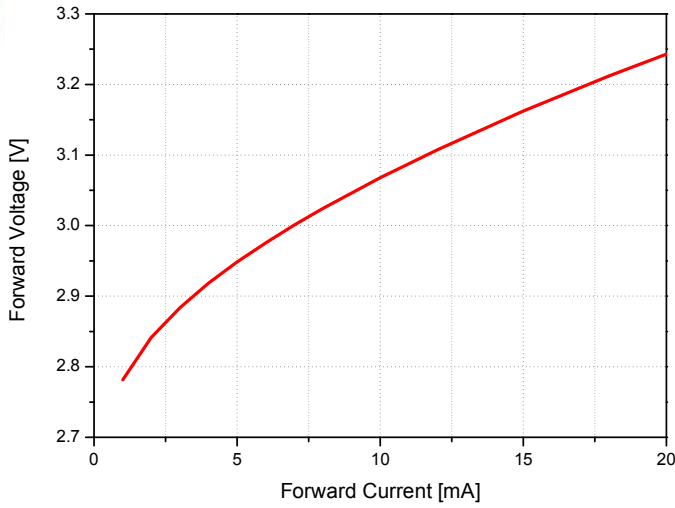
*3 The CIE standard colorimetric system

[Note] Tolerance : $I_v \pm 10\%$, color coordinate ± 0.01 , $V_F \pm 0.1$

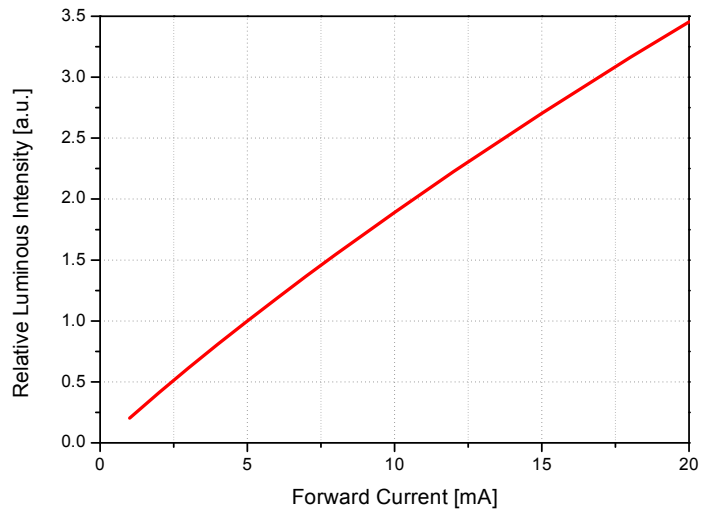
4. Characteristic Diagrams

Ta = 25°

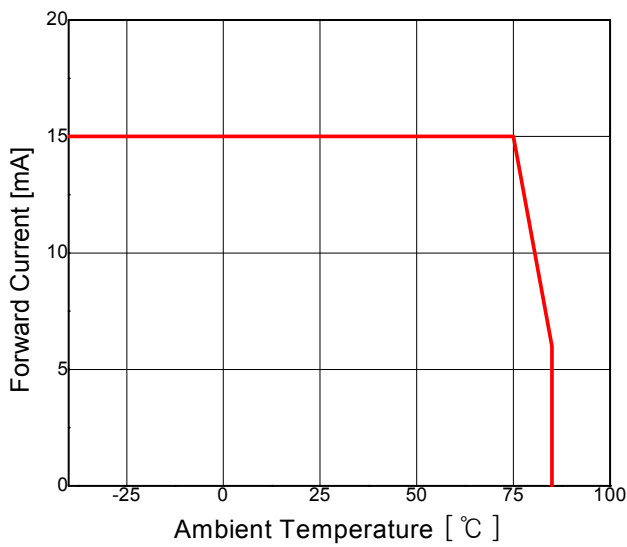
Forward Current vs. Forward Voltage



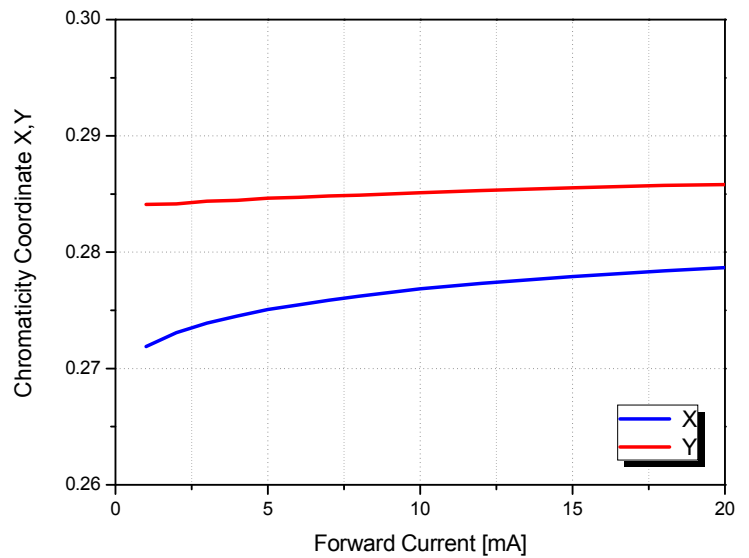
Relative Luminous Intensity vs. Forward Current



Forward Current vs. Ambient Temperature

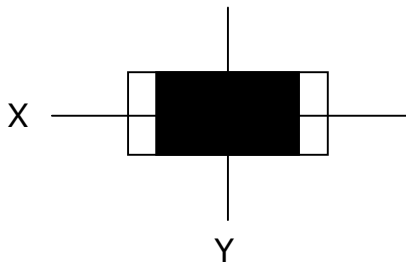
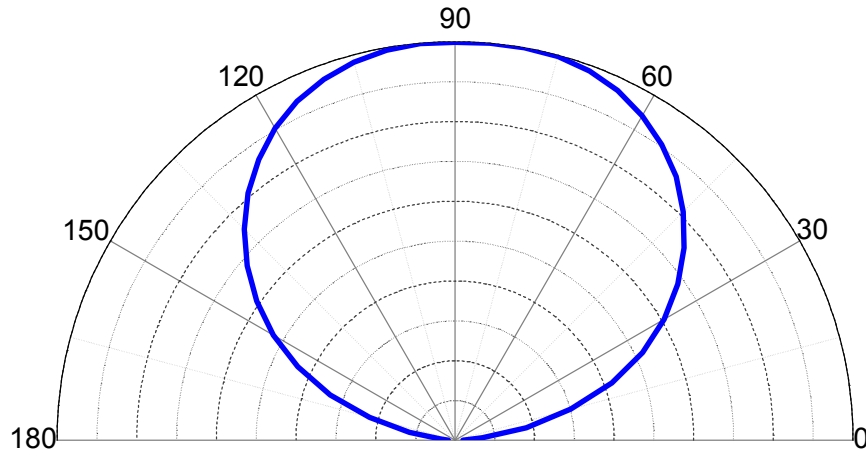


Forward Current vs. Chromaticity Coordinate



Radiation Diagram

Ta = 25°



5. Reliability Test

| Item | Test Conditions | Duration / Cycle | Number Of Damaged |
|---|---|------------------|-------------------|
| Operating at Room temperature | 5mA, @25℃ | 500 hrs | 0/22 |
| Operating at High temperature | 5mA, @85℃ | 500 hrs | 0/22 |
| Operating at High temperature / High humidity | 5mA, @60℃,90% | 500 hrs | 0/22 |
| Thermal shock test | -40~85℃ Shift (2hr/cycle) | 100 cycle | 0/22 |
| Thermal resistance Test | 85℃, 85% 24hrs → Reflow 3 times (Max 260℃ 10sec) → Thermal shock 30 cycle | 1 time | 0/22 |

MSL : 2a (30℃, 60% : 4 weeks)

*Criterion

| | OK |
|----------------|-----------------------|
| I _v | > Initial value * 0.7 |
| V _F | Initial value ± 0.1V |

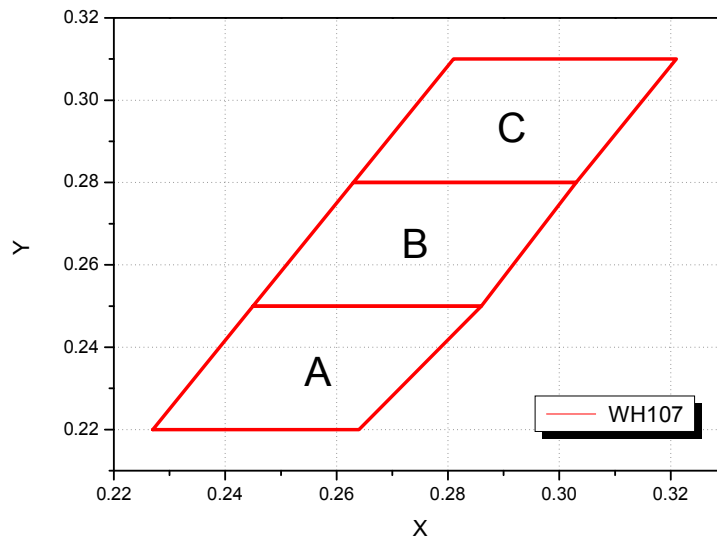
6. Rank

(1) Luminous Intensity : I_v [mcd]

| Rank | I_v [mcd] | Condition |
|------|-------------|-----------|
| D | 100~150 | $I_F=5mA$ |
| E | 150~230 | |

(2) Color Coordinate : X, Y

| Rank | | P1 | P2 | P3 | P4 | Condition |
|------|---|-------|-------|-------|-------|-----------|
| A | X | 0.227 | 0.264 | 0.286 | 0.245 | $I_F=5mA$ |
| | Y | 0.220 | 0.220 | 0.250 | 0.250 | |
| B | X | 0.245 | 0.286 | 0.303 | 0.263 | |
| | Y | 0.250 | 0.250 | 0.280 | 0.280 | |
| C | X | 0.263 | 0.303 | 0.321 | 0.281 | |
| | Y | 0.280 | 0.280 | 0.310 | 0.310 | |

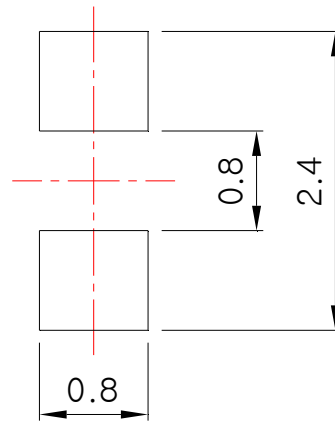
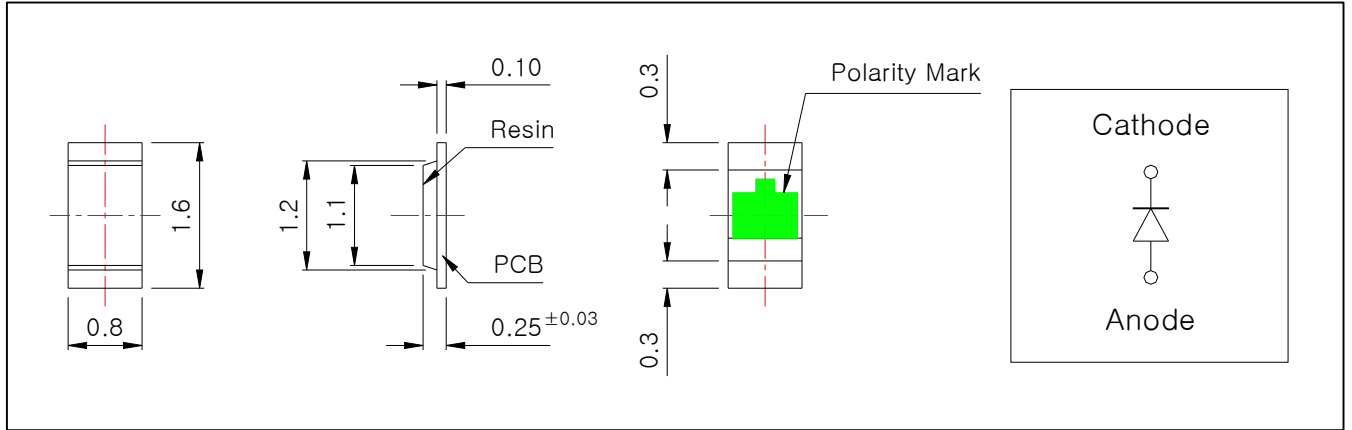


(3) Forward Voltage: V_F [V]

| Rank | V_F [V] | | Condition |
|------|-----------|-----|-----------|
| A | 2.7 | 2.8 | $I_F=5mA$ |
| B | 2.8 | 2.9 | |
| C | 2.9 | 3.0 | |
| D | 3.0 | 3.1 | |

7. Outline Dimension

Tolerance ± 0.1 , Unit : mm

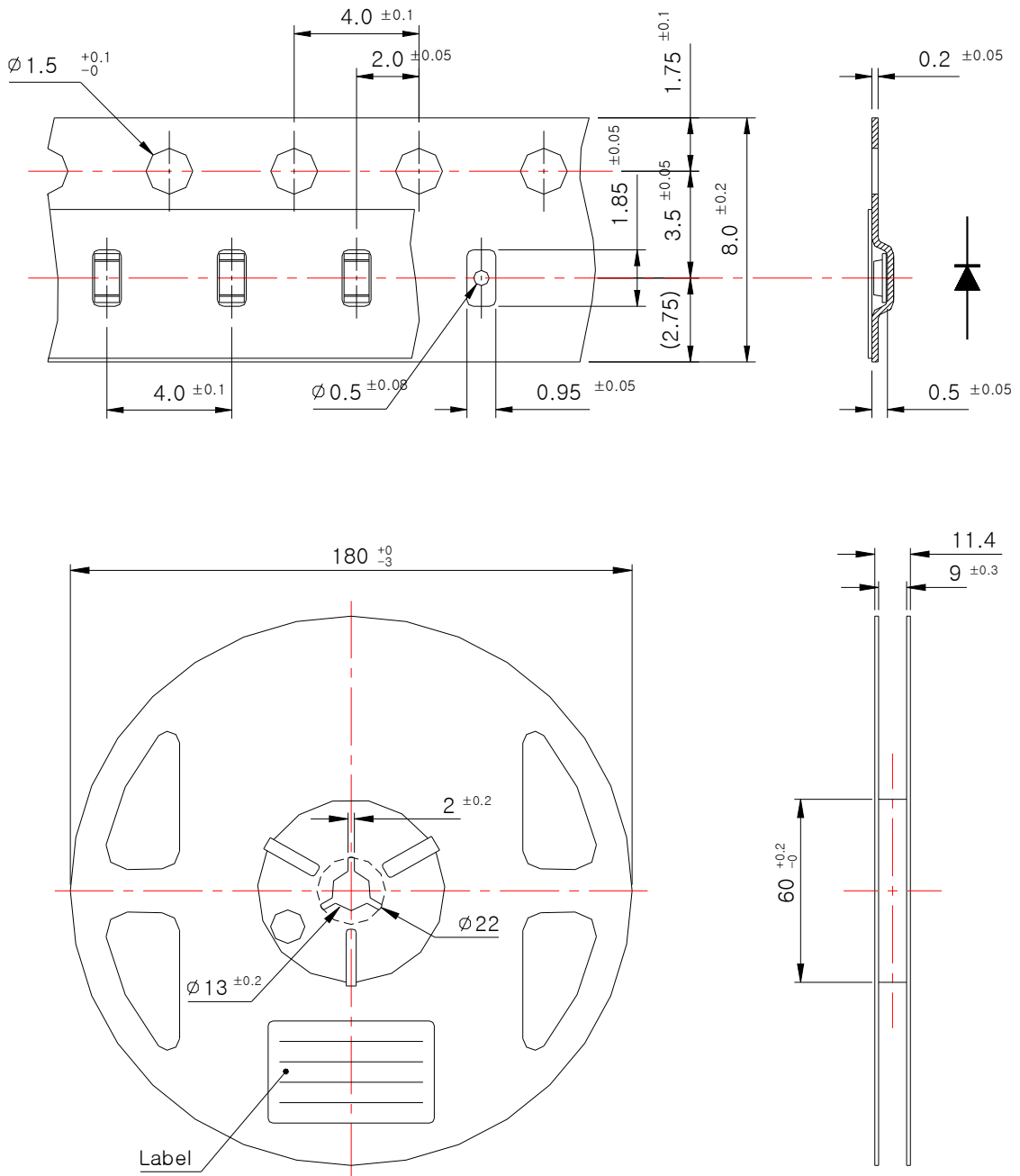


[Recommended Solder Pattern]

8. Material

| Item | Substrate | chip | wire | Encapsulate | Electrode |
|----------|--------------|-------|------|-------------|-----------|
| Material | BT-Resin PCB | InGaN | Gold | Epoxy | Au Plated |

9. Reel Structure

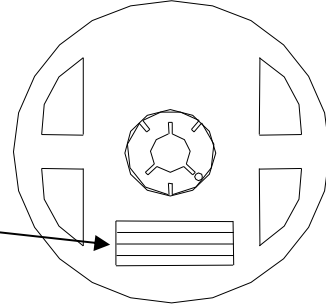


- (1) Quantity : 4000pcs/Reel
- (2) Cumulative Tolerance : Cumulative Tolerance/10 pitches to be ± 0.2 mm
- (3) Adhesion Strength of Cover Tape : Adhesion strength to be 0.1-0.7N when the cover tape is turned off from the carrier tape at 10°C angle to be the carrier tape
- (4) Package : P/N, Manufacturing data Code No. and quantity to be indicated on a damp proof Package

10. Packing

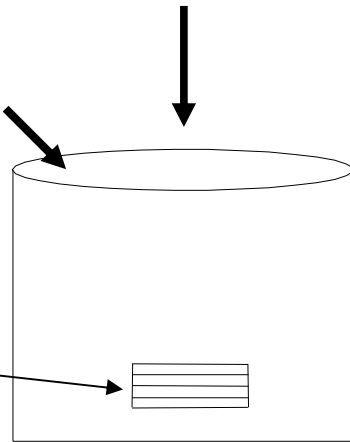
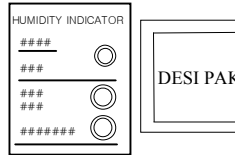
Reel

RANK: **XXX**
 QUANTITY : XXXX
 LOT NUMBER : XXXXXXXXXXXX
 PART NUMBER : **XXXXXX**
 SEOUL SEMICONDUCTOR CO., LTD.



Aluminum Vinyl Bag

RANK: **XXX**
 QUANTITY : XXXX
 LOT NUMBER : XXXXXXXXXXXX
 PART NUMBER : **XXXXXX**
 SEOUL SEMICONDUCTOR CO., LTD.



Outer Box Structure

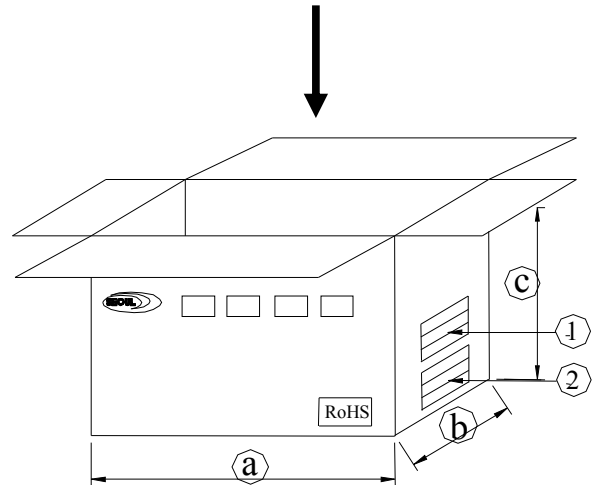
① SIDE

RANK:
 QUANTITY : XXXX
 LOT NUMBER : XXXXXXXXXXXX
 PART NUMBER : **XXXXXX**
 SEOUL SEMICONDUCTOR CO., LTD.

② SIDE

| LOT NUMBER | Rank | QTY |
|------------|------|-----|
| | | |
| | | |
| | | |
| | | |
| | | |
| | | |

SEOUL SEMICONDUCTOR CO., LTD.



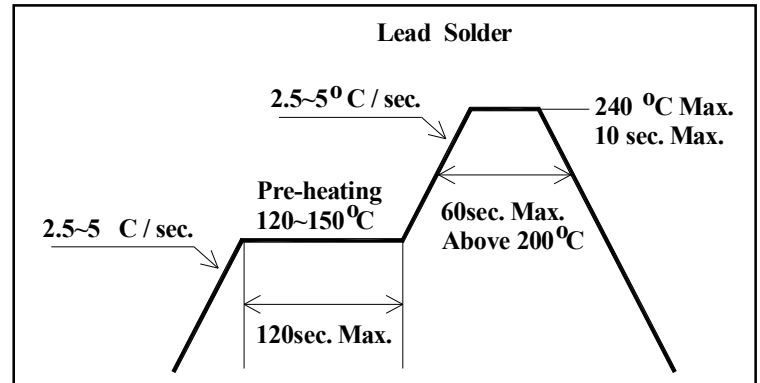
Material : Paper(SW3B(B))

| TYPE | SIZE (mm) | | |
|-------|-----------|-----|-----|
| | a | b | c |
| 7inch | 245 | 220 | 142 |

11. Soldering profile

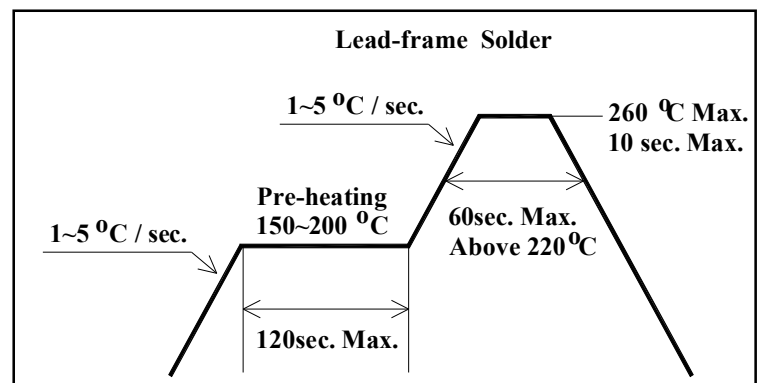
(1) Lead Solder

| Lead Solder | |
|--------------------------|---------------|
| Pre-heat | 120~150℃ |
| Pre-heat time | 120 sec. Max. |
| Peak-Temperature | 240℃ Max. |
| Soldering time Condition | 10 sec. Max. |



(2) Lead-Free Solder

| Lead Free Solder | |
|--------------------------|---------------|
| Pre-heat | 150~200℃ |
| Pre-heat time | 120 sec. Max. |
| Peak-Temperature | 260℃ Max. |
| Soldering time Condition | 10 sec. Max. |



(3) Hand Soldering conditions

Do not exceed 3 seconds at maximum 280℃ under soldering iron.

Note : In case that the soldered products are reused in soldering process, we don't guarantee the products.

12. Precaution for Use

(1) Storage

LEDs must be stored at clean atmosphere. If the LEDs are stored for 3 months or more after shipment from SSC, storage in a sealed container with a nitrogen atmosphere is recommended. To avoid absorption of moisture, it is recommended to store in a dry box (or a desiccator) with a desiccant.

* Shelf Life : 12 months at < 40°C and 90%RH

(2) Attention after open.

LED is correspond to SMD, when LED be soldered dip, interfacial separation may affect the light transmission efficiency, causing the light intensity to drop. After opened and mounted the soldering shall be quickly.

* Within 672 hours at factory conditions of equal to or less than 30°C/60%RH, or
Stored at < 10% RH

(3) Repack unused products with anti-moisture packing, fold to close any opening and then store in a dry place.

(4) In the case of change color of indicator on desiccant, components shall be dried 10-12hr at 60±5°C.

(5) When the LED is operating, the driving current should be determined after considering the maximum ambient temperature requirements.

(6) When using multiple LEDs, It is recommended to connect a resistor on each LED. Otherwise, LEDs may vary due to variation in forward voltage of the LEDs.

(7) The driving circuit must be designed to allow forward voltage only when it is ON or OFF. If the reverse voltage is applied to LED, migration can be generated resulting in LED damage

(8) Any mechanical force or excessive vibration should be avoided during temperature cooling process to normal temperature after reflow.

(9) Rapid cooling shall be avoided.

(10) LED should not be placed on a flexible area on the PCB.

(11) This device should not be used in any type of fluid such as water, oil, organic solvent etc. When washing is required, IPA should be used.

(12) Anti radioactive ray design is not considered for the products.

(13) Damage prevention from ESD or Surge.

It is highly recommended to use the wrist-band or anti electrostatic gloves when handling the LED's All devices, equipments and machines must be properly grounded

(14) The appearance and specifications of the product may be modified for improvement without notice.