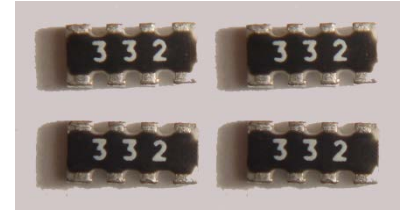
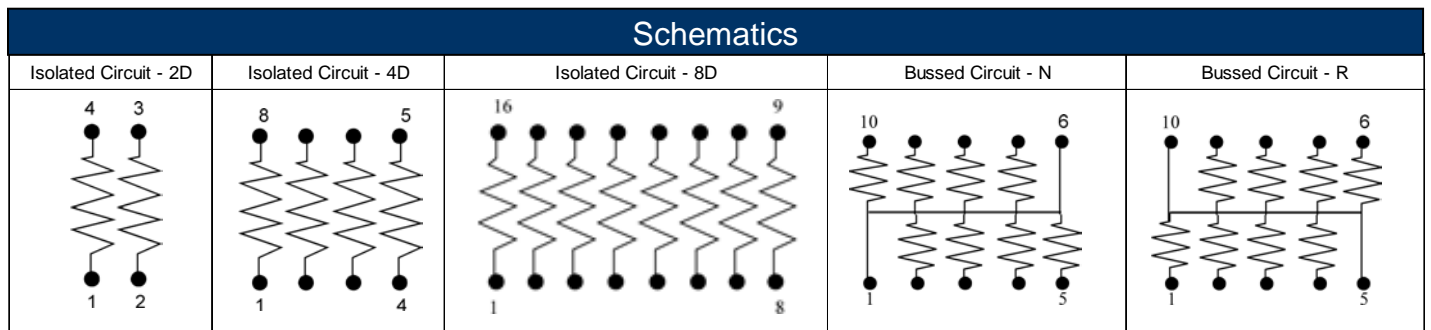


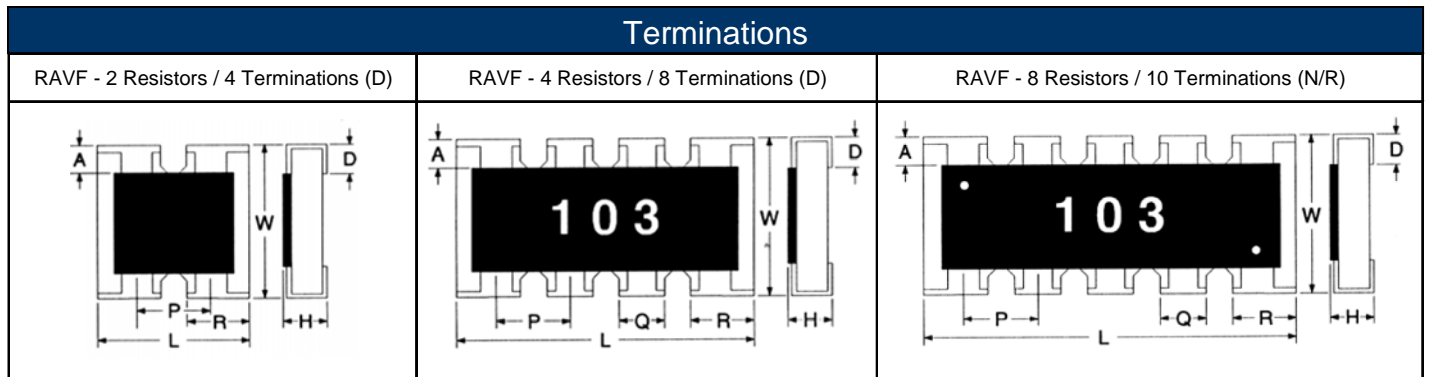
- Features:
- Thick film resistor element
 - Multiple circuit types available
 - Ideal SMD substitute for leaded networks
 - RoHS compliant
 - Auto-placement capability
 - Square corner construction standard
 - Zero ohm jumper available
 - RAVF 324D is standard with scalloped corner
 - Styles 102D, 104D and 164D are qualified to AEC-Q200



Electrical Specifications								
Type / Code / # of Elements / Circuit Type	Power Rating (per element) @ 70°C	Power Rating (Entire Array) @ 70°C	Maximum Working Voltage ⁽¹⁾	Maximum Overload Voltage	Resistance Temperature Coefficient	Ohmic Range (Ω) and Tolerance		
						1%	2%	5%
RAVF052D	0.031W	0.063W	12.5V	25V	±500 ppm/°C ±300 ppm/°C ±200 ppm/°C	-	3 - 10	
							10.1 - 1K	
							1.01K - 1M	
RAVF102D	0.063W	0.125W	25V	50V	±300 ppm/°C ±200 ppm/°C	-	1 - 10	
							10 - 1M	
RAVF104D	0.063W	0.250W	25V	50V	±300 ppm/°C ±200 ppm/°C	-	1 - 10	
							10 - 1M	
RAVF162D	0.063W	0.125W	50V	100V	±200 ppm/°C	10 - 1M	1 - 10M	
RAVF164D	0.063W	0.250W	50V	100V	±200 ppm/°C	10 - 1M	1 - 10M	
RAVF168D	0.063W	0.500W	25V	50V	±250 ppm/°C ±200 ppm/°C	-	1 - 1M	
							10 - 1M	
RAVF324D	0.125W	0.250W	200V	400V	±200 ppm/°C	22 - 1M	10 - 1M	
RAVF328N	0.063W	0.500W	25V	50V	±200 ppm/°C	-	22 - 1M	
RAVF328R	0.063W	0.500W	25V	50V	±200 ppm/°C	-	22 - 1M	

Note: (1) Lesser of \sqrt{PR} or maximum working voltage.

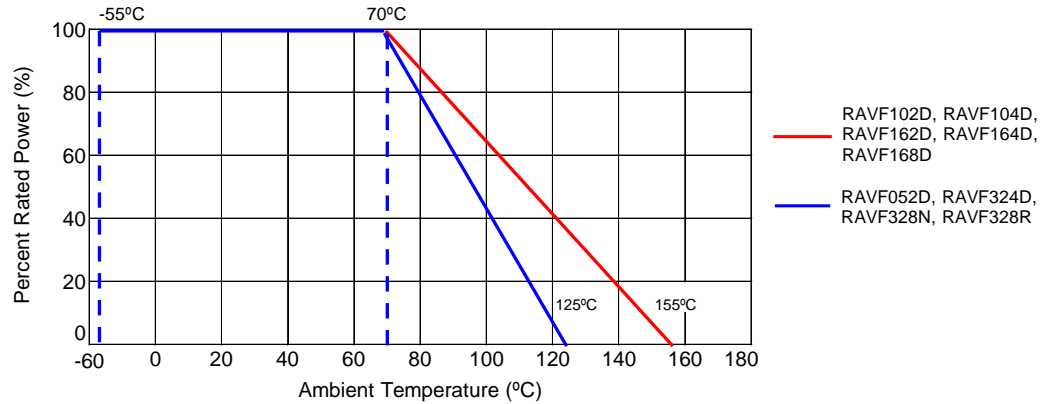




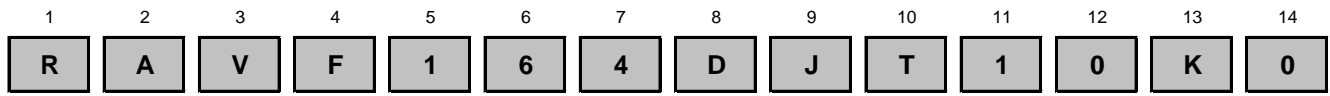
Mechanical Specifications									
Type / Code / # of Elements / Circuit Type	L Body Length	W Body Width	H Body Height	P Element Spacing	Q Termination Width	R Termination Width	D Bottom Termination	A Top Termination	Unit
RAVF052D	0.031 ± 0.004 0.80 ± 0.10	0.024 ± 0.004 0.60 ± 0.10	0.012 ± 0.002 0.30 ± 0.05	0.020 ± 0.006 0.50 ± 0.15	- -	0.014 ± 0.004 0.35 ± 0.10	0.006 ± 0.002 0.15 ± 0.05	0.006 ± 0.004 0.15 ± 0.10	Inches mm
RAVF102D	0.039 ± 0.004 1.00 ± 0.10	0.039 ± 0.004 1.00 ± 0.10	0.014 ± 0.004 0.35 ± 0.10	0.026 ± 0.002 0.65 ± 0.05	- -	0.013 ± 0.002 0.33 ± 0.05	0.010 ± 0.002 0.25 ± 0.05	0.006 ± 0.004 0.15 ± 0.10	Inches mm
RAVF104D	0.079 ± 0.008 2.00 ± 0.20	0.039 ± 0.006 1.00 ± 0.15	0.014 ± 0.006 0.35 ± 0.15	0.020 ± 0.006 0.50 ± 0.15	0.012 ± 0.004 0.30 ± 0.10	0.016 ± 0.004 0.40 ± 0.10	0.010 ± 0.004 0.25 ± 0.10	0.008 ± 0.004 0.20 ± 0.10	Inches mm
RAVF162D	0.063 ± 0.006 1.60 ± 0.15	0.063 ± 0.006 1.60 ± 0.15	0.020 ± 0.006 0.50 ± 0.15	0.031 ± 0.002 0.80 ± 0.05	- -	0.024 ± 0.006 0.60 ± 0.15	0.012 ± 0.006 0.30 ± 0.15	0.012 ± 0.006 0.30 ± 0.15	Inches mm
RAVF164D	0.126 ± 0.008 3.20 ± 0.20	0.063 ± 0.008 1.60 ± 0.20	0.020 ± 0.004 0.50 ± 0.10	0.031 ± 0.002 0.80 ± 0.05	0.020 ± 0.004 0.50 ± 0.10	0.026 ± 0.004 0.65 ± 0.10	0.012 ± 0.006 0.30 ± 0.15	0.012 ± 0.008 0.30 ± 0.20	Inches mm
RAVF168D	0.157 ± 0.008 4.00 ± 0.20	0.063 ± 0.006 1.60 ± 0.15	0.016 ± 0.004 0.40 ± 0.10	0.020 ± 0.006 0.50 ± 0.15	0.010 ± 0.004 0.25 ± 0.10	0.015 ± 0.004 0.38 ± 0.10	0.012 ± 0.008 0.30 ± 0.20	0.012 ± 0.008 0.30 ± 0.20	Inches mm
RAVF324D	0.200 ± 0.008 5.08 ± 0.20	0.122 ± 0.008 3.10 ± 0.20	0.022 ± 0.004 0.55 ± 0.10	0.050 ± 0.004 1.27 ± 0.10	0.031 ± 0.008 0.80 ± 0.20	- -	0.012 ± 0.008 0.30 ± 0.20	0.020 ± 0.008 0.50 ± 0.20	Inches mm
RAVF328N	0.126 ± 0.006 3.20 ± 0.15	0.063 ± 0.006 1.60 ± 0.15	0.022 ± 0.004 0.55 ± 0.10	0.025 ± 0.002 0.64 ± 0.05	0.013 ± 0.006 0.34 ± 0.15	0.019 ± 0.006 0.49 ± 0.15	0.010 ± 0.006 0.25 ± 0.15	0.012 ± 0.008 0.30 ± 0.20	Inches mm
RAVF328R	0.126 ± 0.006 3.20 ± 0.15	0.063 ± 0.006 1.60 ± 0.15	0.022 ± 0.004 0.55 ± 0.10	0.025 ± 0.002 0.64 ± 0.05	0.013 ± 0.006 0.34 ± 0.15	0.019 ± 0.006 0.49 ± 0.15	0.010 ± 0.006 0.25 ± 0.15	0.012 ± 0.008 0.30 ± 0.20	Inches mm

Performance Characteristics	
Test	Test Results (JIS C 5202)
Load Life in Moisture	±3%
Temperature cycle	±1%
Load Life	±3%
Resistance to Soldering heat	±1%
Terminal Adhesion	±1%
Short Time Overload	±2%

Power Derating Curve:



How to Order



Product Series		Size	Power	Tolerance ⁽¹⁾			Packaging				Resistance Value
RAVF	Convex RoHS			Code	Tol	Value	Code	Description	Size	Quantity	
		052D	0.031W	F	1%	E24	T	Tape and Reel	052D, 102D, 104D	10,000	Four characters with the multiplier used as the decimal holder. 10 ohm = 10R0 10.2 Kohm = 10K2 1 Mohm = 1M00 Zero ohm jumper = 0R00
		102D	0.063W	G	2%				162D, 164D, 168D	5,000	
		104D	0.063W	J	5%	328N, 328R					
		162D	0.063W	Z	jumper	324D			4,000		
		164D	0.063W	Note (1): 1% tolerance is available in E24 values only. E96 values are generally not available. Contact factory for details.							
		168D	0.063W								
		324D	0.125W								
		328N	0.063W								
		328R	0.063W								

D = Isolated
N = Bussed
R = Bussed