

REVISONS		DATE	BY	APPV
NO.	DESCRIPTION			
B2	REVISED PER ECO-09-007898	3/30/09	SS	MW

Specifications:

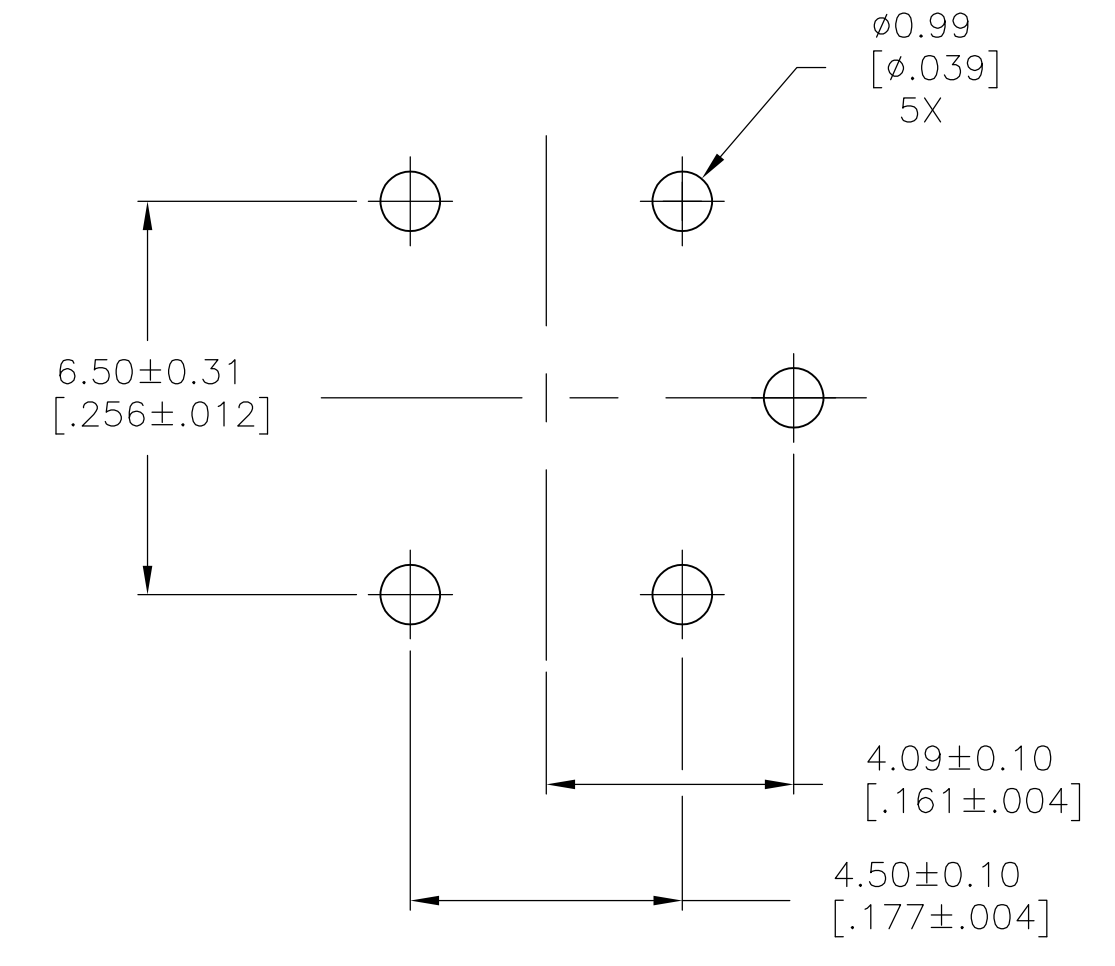
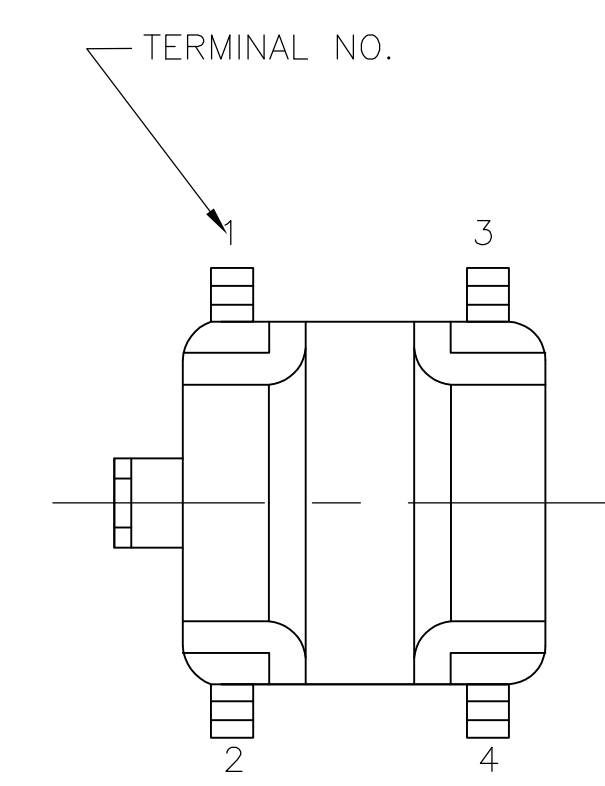
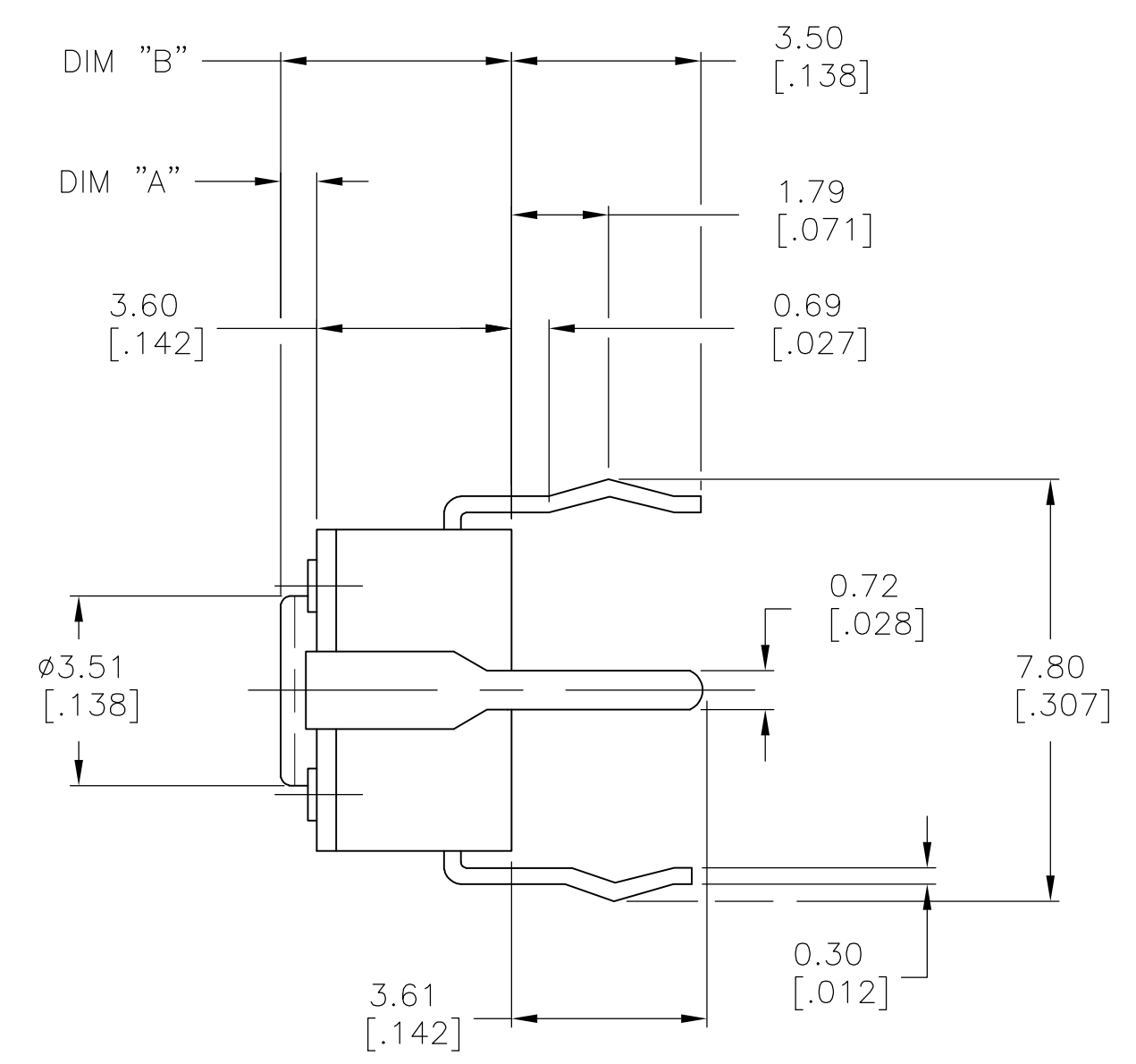
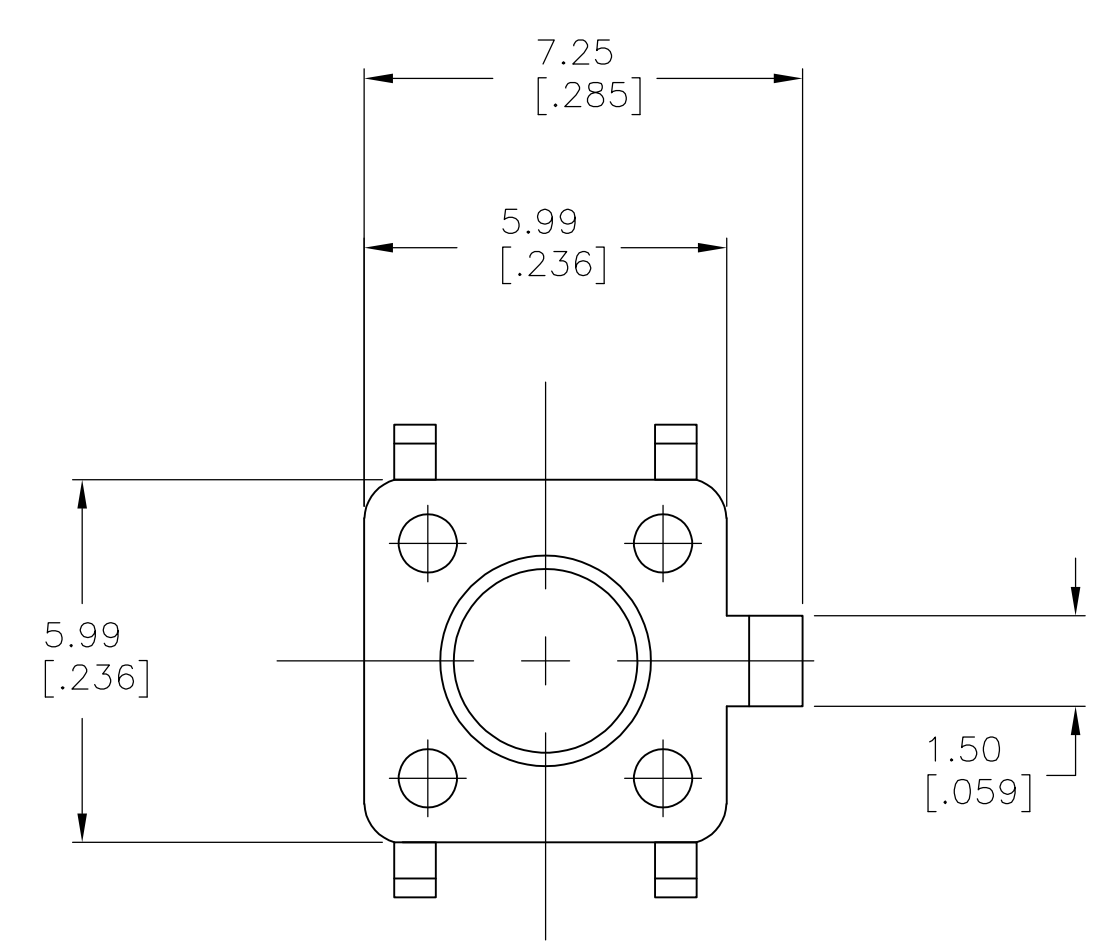
Materials:
 CASE: NYLON 66 UL94HB, 30% GF-BLACK
 ACTUATOR: PBT OR NYLON 66, UL94HB
 COVER: STEEL-TIN PLATE
 MOVING CONTACT: COPPER ALLOY-SILVER PLATE
 FIXED CONTACT/TERMINAL: COPPER ALLOY-SILVER OVER NICKEL PLATE

Electrical:
 Max Contact Rating: 50 milliamp@ 24V DC
 Min Contact Rating: 10 microamp@1V DC
 Initial Contact resistance, 100 milliohms max
 Insulation Resistance, 100 Megohm min. @ 100V DC
 Dielectric strength, 500 V AC for 1 minute
 Life Expectancy, 100,000 cycles min (2 cycles per second and 150% actuation force)

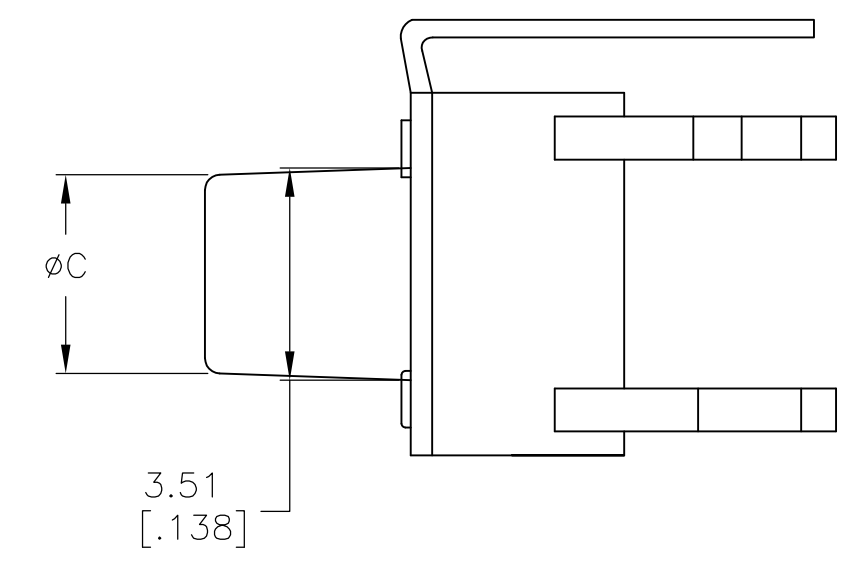
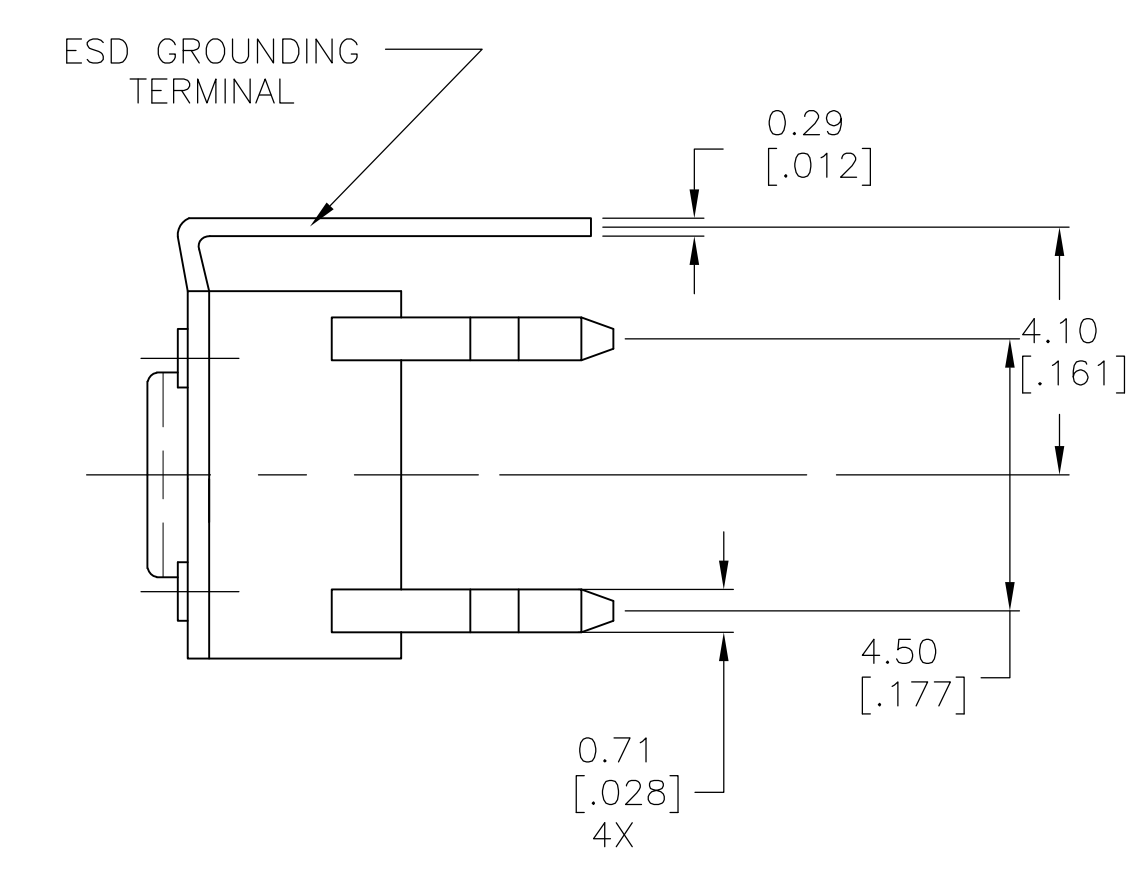
Mechanical:
 Actuation force, See Table
 Actuation Travel, .010 +.008/-.004
 Life Expectancy, 100,000 cycles min (2 cycles per second and 150% actuation force)

Environmental:
 Operating Temperature, -35 to +85 degrees C
 Storage Temperature, -35 to +85 degrees C
 Thermal Shock, Per EIA-364-32C, -35 to +85 degrees C
 Solderability, Per EIA-364-52, Class 2, Category 1, Category 2, 95% Minimum coverage
 Resistance to Solder Heat, Per 109-202, Condition B

Notes:
 1. ALL MATERIALS AND FINISHES SHALL COMPLY WITH EU DIRECTIVE 2002/95/EC OF 27JAN2003 (ROHS).



RECOMMENDE HOLE LAYOUT
 TOLERANCE ±.002
 UNLESS OTHERWISE NOTED



FSM5J THRU FSM17J

ACTUATOR MAT'L	ACTUATOR COLOR	ACTUATION FORCE	DIM C	DIM B	DIM A	MALCO PIN	TE PIN
NYLON 6/6	YELLOW	520 +/-100 GF	3.09 (.122)	8.50 (.335)	4.90 (.193)	FSM17JAAH	3-1825955-6
NYLON 6/6	WHITE	260 +/-50 GF	3.09 (.122)	8.50 (.335)	4.90 (.193)	FSM17JAH	3-1825955-5
NYLON 6/6	BLACK	160 +/-50 GF	3.09 (.122)	8.50 (.335)	4.90 (.193)	FSM17JH	3-1825955-4
NYLON 6/6	BROWN	100 +/-50 GF	3.09 (.122)	8.50 (.335)	4.90 (.193)	FSM17JLH	3-1825955-3
NYLON 6/6	YELLOW	520 +/-100 GF	2.80 (.110)	17.00 (.669)	13.40 (.527)	FSM15JAAH	3-1825955-2
NYLON 6/6	WHITE	260 +/-50 GF	2.80 (.110)	17.00 (.669)	13.40 (.527)	FSM15JAH	3-1825955-1
NYLON 6/6	BLACK	160 +/-50 GF	2.80 (.110)	17.00 (.669)	13.40 (.527)	FSM15JH	3-1825955-0
NYLON 6/6	BROWN	100 +/-50 GF	2.80 (.110)	17.00 (.669)	13.40 (.527)	FSM15JLH	2-1825955-9
NYLON 6/6	YELLOW	520 +/-100 GF	2.87 (.118)	13.00 (.512)	9.40 (.370)	FSM13JAAH	2-1825955-8
NYLON 6/6	WHITE	260 +/-50 GF	2.87 (.118)	13.00 (.512)	9.40 (.370)	FSM13JAH	2-1825955-7
NYLON 6/6	BLACK	160 +/-50 GF	2.87 (.118)	13.00 (.512)	9.40 (.370)	FSM13JH	2-1825955-6
NYLON 6/6	BROWN	100 +/-50 GF	2.87 (.118)	13.00 (.512)	9.40 (.370)	FSM13JLH	2-1825955-5
NYLON 6/6	YELLOW	520 +/-100 GF	3.20 (.126)	8.00 (.315)	4.40 (.173)	FSM11JAAH	2-1825955-4
NYLON 6/6	WHITE	260 +/-50 GF	3.20 (.126)	8.00 (.315)	4.40 (.173)	FSM11JAH	2-1825955-3
NYLON 6/6	WHITE	160 +/-50 GF	3.20 (.126)	8.00 (.315)	4.40 (.173)	FSM11JH	2-1825955-2
NYLON 6/6	BROWN	100 +/-50 GF	3.20 (.126)	8.00 (.315)	4.40 (.173)	FSM11JLH	2-1825955-1
NYLON 6/6	YELLOW	520 +/-100 GF	3.25 (.128)	7.30 (.287)	3.70 (.146)	FSM9JAAH	2-1825955-0
NYLON 6/6	WHITE	260 +/-50 GF	3.25 (.128)	7.30 (.287)	3.70 (.146)	FSM9JAH	1-1825955-9
NYLON 6/6	BLACK	160 +/-50 GF	3.25 (.128)	7.30 (.287)	3.70 (.146)	FSM9JH	1-1825955-8
NYLON 6/6	BROWN	100 +/-50 GF	3.25 (.128)	7.30 (.287)	3.70 (.146)	FSM9JLH	1-1825955-7
PBT	YELLOW	520 +/-100 GF	3.10 (.122)	9.50 (.374)	5.90(.232)	FSM7JAAH	1-1825955-6
PBT	WHITE	260 +/-50 GF	3.10 (.122)	9.50 (.374)	5.90(.232)	FSM7JAH	1-1825955-5
PBT	BLACK	160 +/-50 GF	3.10 (.122)	9.50 (.374)	5.90(.232)	FSM7JH	1-1825955-4
PBT	BROWN	100 +/-50 GF	3.10 (.122)	9.50 (.374)	5.90(.232)	FSM7JLH	1-1825955-3
NYLON 6/6	YELLOW	520 +/-100 GF	3.30(.130)	7.00 (.276)	3.40 (.134)	FSM5JAAH	1-1825955-2
NYLON 6/6	WHITE	260 +/-50 GF	3.30(.130)	7.00 (.276)	3.40 (.134)	FSM5JAH	1-1825955-1
NYLON 6/6	BLUE	160 +/-50 GF	3.30(.130)	7.00 (.276)	3.40 (.134)	FSM5JH	1-1825955-0
NYLON 6/6	BROWN	100 +/-50 GF	3.30(.130)	7.00 (.276)	3.40 (.134)	FSM5JLH	1825955-9
PBT	YELLOW	520 +/-100 GF	N/A	5.00 (.196)	1.40 (.055)	FSM3JAAH	1825955-8
PBT	WHITE	260 +/-50 GF	N/A	5.00 (.196)	1.40 (.055)	FSM3JAH	1825955-7
PBT	BLACK	160 +/-50 GF	N/A	5.00 (.196)	1.40 (.055)	FSM3JH	1825955-6
PBT	BROWN	100 +/-50 GF	N/A	5.00 (.196)	1.40 (.055)	FSM3JLH	1825955-5
PBT	YELLOW	520 +/-100 GF	N/A	4.30 (.169)	0.70 (.028)	FSM1JAAH	1825955-4
PBT	WHITE	260 +/-50 GF	N/A	4.30 (.169)	0.70 (.028)	FSM1JAH	1825955-3
PBT	BLACK	160 +/-50 GF	N/A	4.30 (.169)	0.70 (.028)	FSM1JH	1825955-2
PBT	BROWN	100 +/-50 GF	N/A	4.30 (.169)	0.70 (.028)	FSM1JLH	1825955-1

() - INDICATES MOMENTARY POSITION

CIRCUIT CHARACTERISTICS	
CONTACT POSITION	CIRCUIT DIAGRAM
OFF	(ON) 1-3 2-4

THIS DRAWING IS A CONTROLLED DOCUMENT. DIM C: MORAN 29DEC93. Tyco Electronics Corporation, Harrisburg, PA 17105-3608.

TOLERANCES UNLESS OTHERWISE SPECIFIED:
 0 PLC ± .01
 1 PLC ± .01
 2 PLC ± .01
 3 PLC ± .01
 4 PLC ± .01
 ANGLES ± 1°

APPROVED: SYLVIA 30DEC93. NAME: 6MM TACT SWITCH, THRU-HOLE W/ESD. SIZE: A1. CAGE CODE: 00779. DRAWING NO: 1825955. WEIGHT: -. SCALE: 8:1. SHEET: 1 OF 1. REV: B2.