

THIS DRAWING IS UNPUBLISHED. RELEASED FOR PUBLICATION  
 © COPYRIGHT BY TYCO ELECTRONICS CORPORATION. ALL RIGHTS RESERVED.

LOC	DIST	REVISIONS 変更				
P	LTR	DESCRIPTION	DATE	DWN	APVD	
J	—	U	REVISED ECR-08-002576	30JAN'08	J.S	S.M
		V	REVISED ECR-08-010483	23MAY'08	J.S	S.M
		W	REVISED ECR-08-014271	16JUN'08	J.S	S.M

POST POSITION No.1

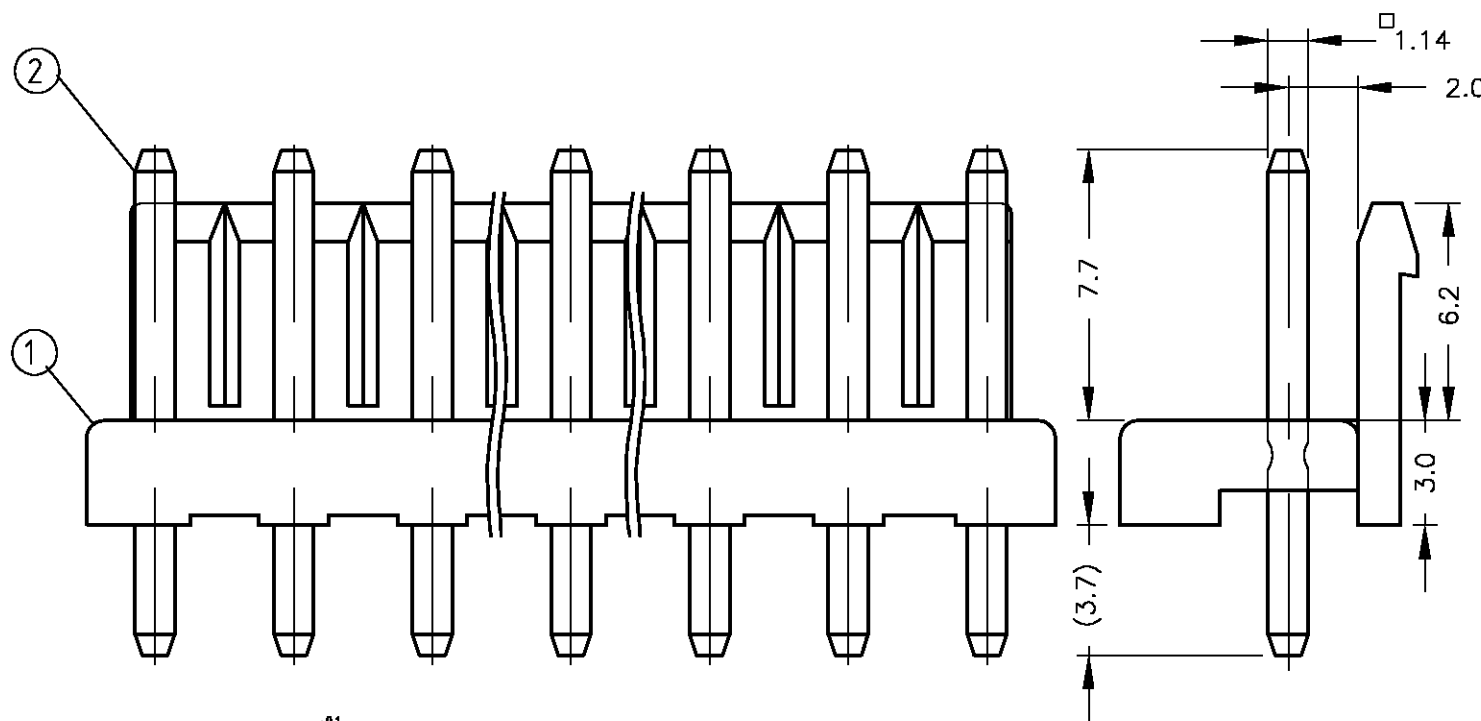
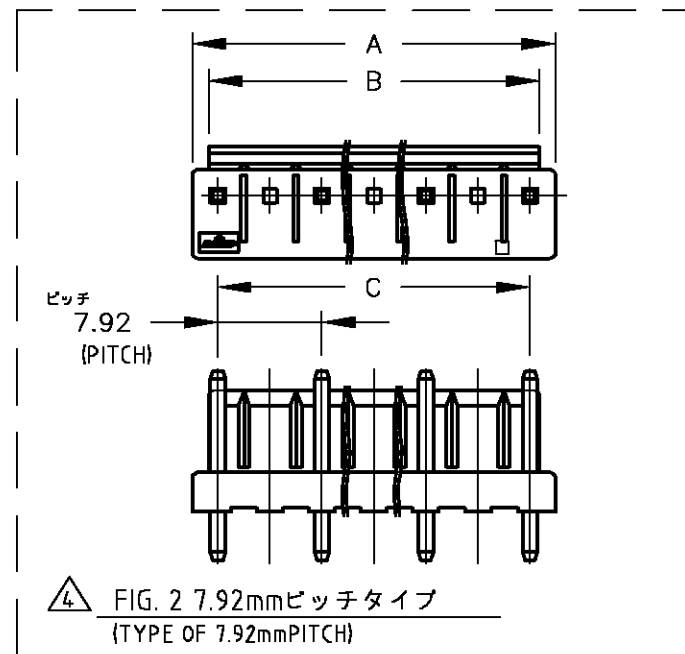
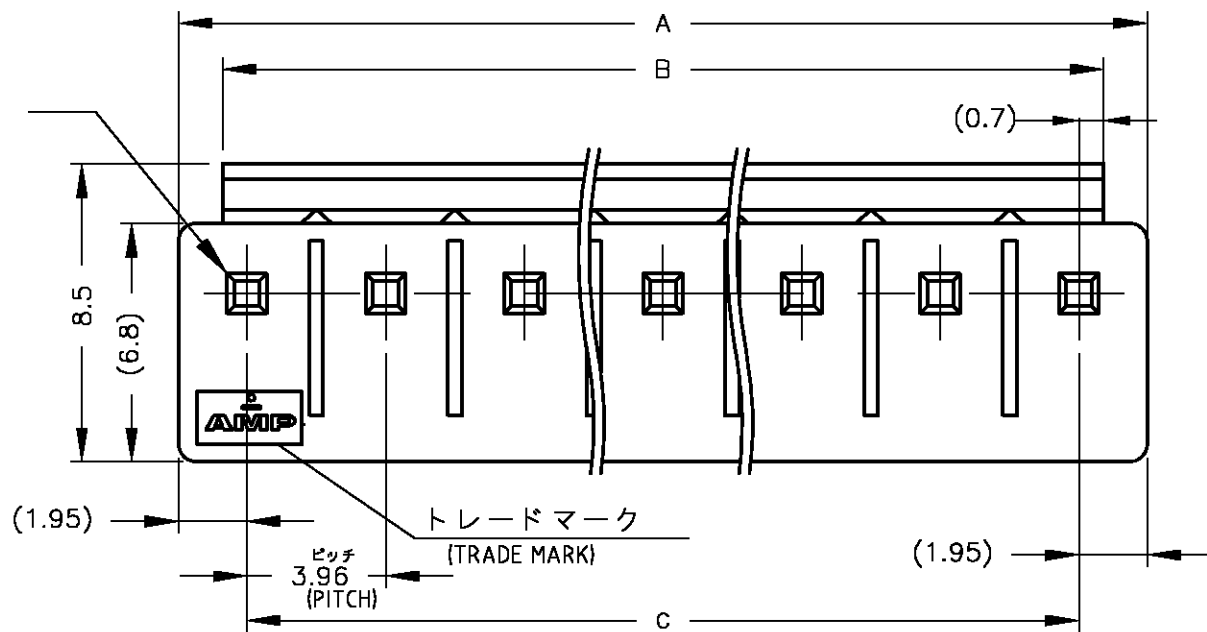


表1 (TABLE 1)

No	名称 (NAME)	材料 (MATERIAL)
①	ヘッダーハウジング (HEADER HOUSING)	PBT ガラス強化 UL94V-0 (PBT GLASS FILLED UL94V-0)
②	ポストコンタクト (POST CONTACT)	黄銅錫めっき仕上げ (POST TIN-BRASS)

注記:  
 1. 嵌合相手側製品型番: □-1123722-□  
 2. 取付け基板穴寸法: FIG.1参照  
 3. 適用基板厚: 1.6t  
 4. 7.92mmピッチタイプ (FIG.2参照)

NOTES:  
 1. MATING CONN P/N: □-1123722-□  
 2. APPLICABLE P.C.B LAY OUT: SEE FIG.1  
 3. APPLICABLE P.C.B THICKNESS: 1.6t  
 4. TYPE OF 7.92mm PITCH (SEE FIG.2)

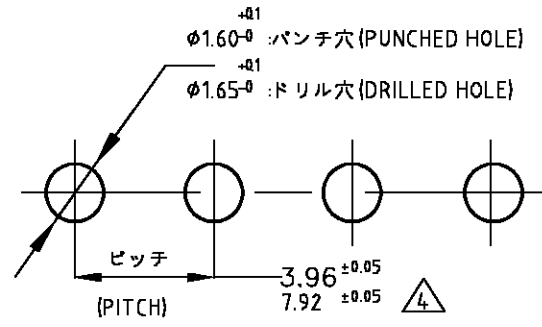


FIG. 1

THIS DRAWING IS A CONTROLLED DOCUMENT.

DIMENSIONS: 単位: 概 mm	TOLERANCES UNLESS OTHERWISE SPECIFIED: 一般公差 5 > ± 0.3 5 < ± 0.4 ± ± ±	DWN N.YAMASAKI 13MAR'01 CHK M.SHINDO 13MAR'01 APVD Y.KASHIWA 13MAR'01 PRODUCT SPEC 製品規格 108-5609 APPLICATION SPEC 取付適用規格 //	Tyco Electronics Corporation Kawasaki, Japan	
MATERIAL 材料 SEE TABLE1	FINISH 仕上 //	WEIGHT //	NAME 名称 3.96(7.92)MM PITCH ECONOMY POWER(EP) CONN HEADER ASSY 3.96(7.92)mmピッチ エコノミーパワー(EP)コネクタ ヘッダーアッセンブリ	RESTRICTED TO
CUSTOMER DRAWING		SIZE A3	CAGE CODE 00779	DRAWING NO 番号 C-1123723
		SCALE //	SHEET 1 OF 2	REV W

