

4

3

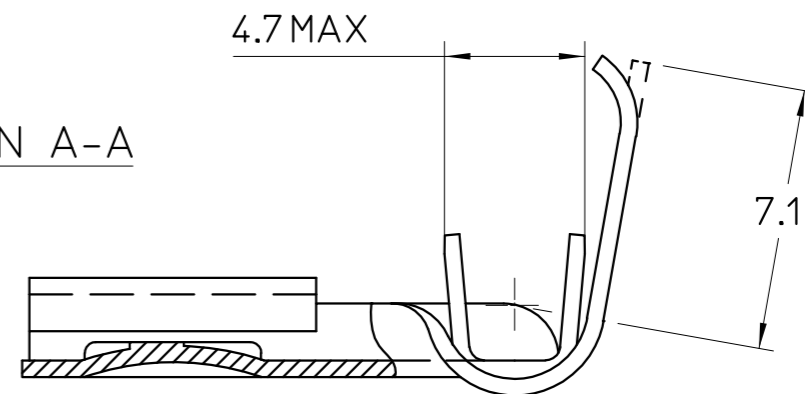
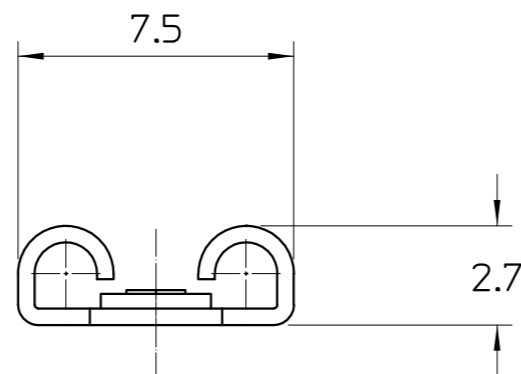
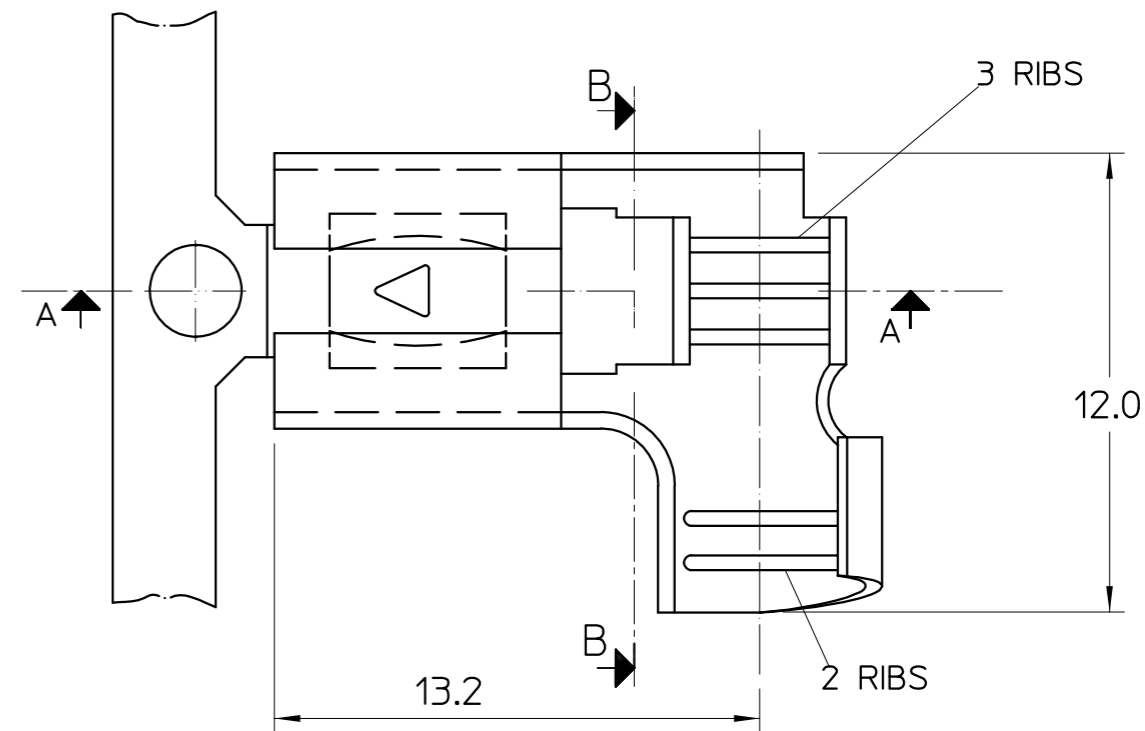
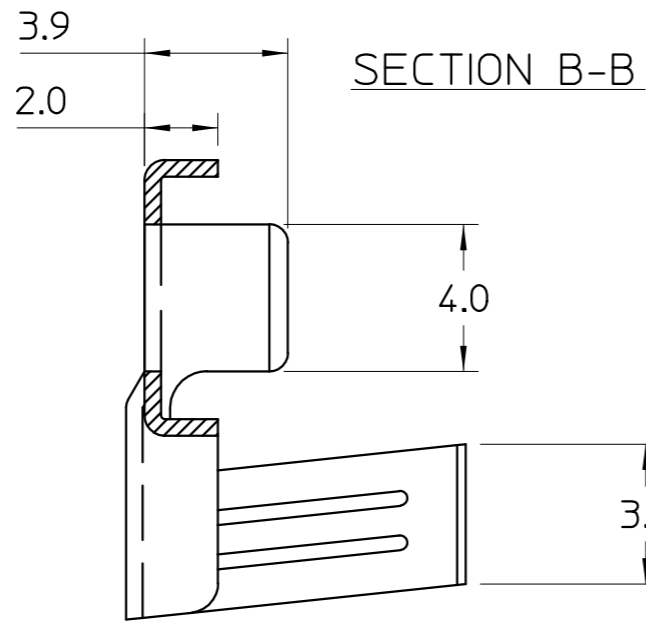
2

1

THIS DRAWING IS UNPUBLISHED. RELEASED FOR PUBLICATION
 © COPYRIGHT BY TYCO ELECTRONICS CORPORATION. ALL RIGHTS RESERVED.

LOC	DIST	REVISIONS					
		P	LTR	DESCRIPTION	DATE	DWN	APVD
U	-	0		RE-DRAWN - WAS UTX DRG 01.02592B.01	11.11.03	WR	HT

NOTES:
 1. WIRE SIZE RANGE:
 CONDUCTOR: 1.0mm² MIN
 2.5mm² MAX.
 INSULATION DIA: 2.8mm MIN.
 3.9mm MAX.



THIS INFORMATION IS CONFIDENTIAL AND PROPRIETARY TO TYCO ELECTRONICS CORPORATION AND ITS WORLDWIDE SUBSIDIARIES AND AFFILIATES. IT MAY NOT BE DISCLOSED TO ANYONE OTHER THAN TYCO ELECTRONICS PERSONNEL WITHOUT WRITTEN AUTHORIZATION FROM TYCO ELECTRONICS CORPORATION, HARRISBURG, PENNSYLVANIA, USA.

BRASS PRE-TIN	RECEPTACLE H2592ET	1-1627101-4
NICKEL SILVER	RECEPTACLE H2592B	1-1627101-2
MATERIAL DESC.	DESCRIPTION	PART No.

THIS DRAWING IS A CONTROLLED DOCUMENT.		DWN: W.Riede 20.10.04	Tyco Electronics Corporation AUSTRALIA				
ALL DIMENSIONS IN mm:		CHK: H. Thai 20.10.04					
TOLERANCES UNLESS OTHERWISE SPECIFIED: DIMENSION (mm) TOLERANCE(+/-mm) LESS THAN 10 0.4 OVER 10 TO 30 0.5 OVER 30 TO 80 0.7 OVER 80 TO 250 1.0 ANGLES ±2°		APVD: W. Riede 20.10.04	NAME: RECEPTACLE, FLAG QC 6.3				
UNREELING DIRECTION FROM TOP OF REEL		PRODUCT SPEC: -	SIZE: A3	CAGE CODE: -	DRAWING NO: 1627101	RESTRICTED TO: -	
MATERIAL: -	FINISH: -	APPLICATION SPEC: -	CUSTOMER DRAWING		SCALE: 5:1	SHEET: 1 OF 1	REV: 0
		WEIGHT: -					