

4

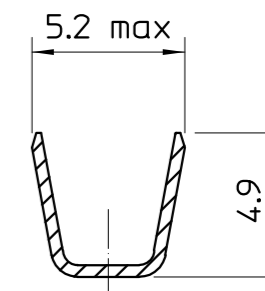
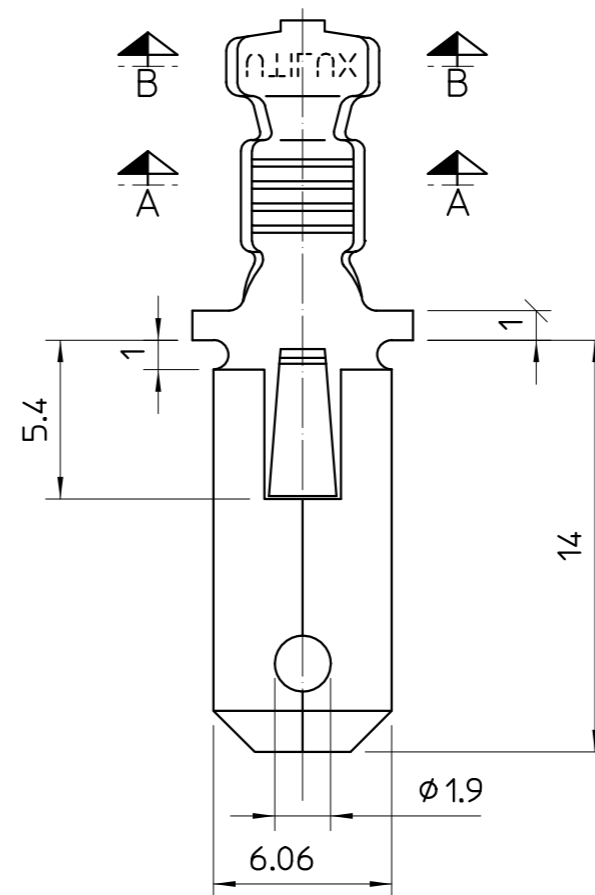
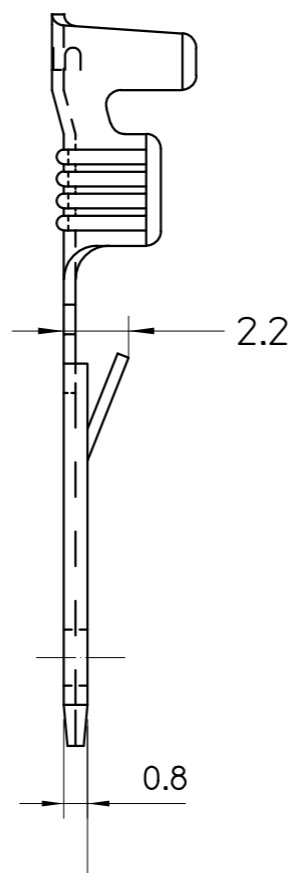
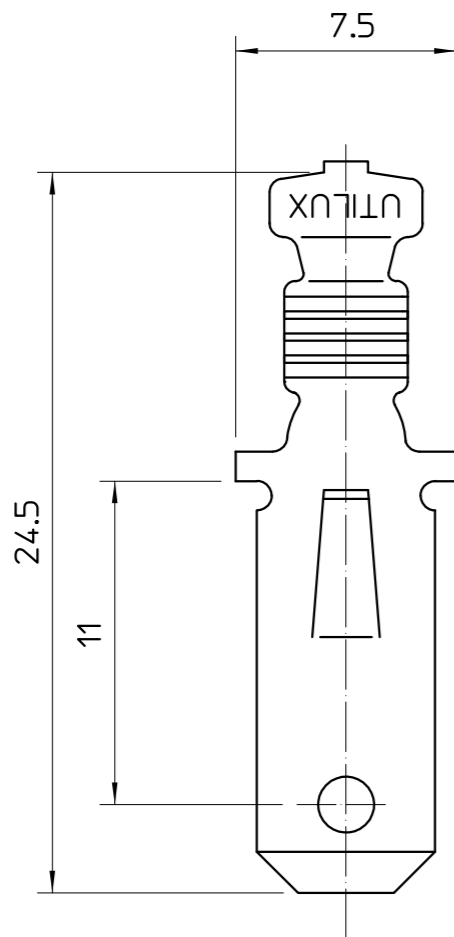
3

2

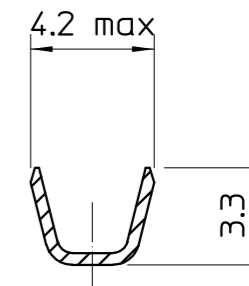
1

THIS DRAWING IS UNPUBLISHED. RELEASED FOR PUBLICATION  
 © COPYRIGHT BY TYCO ELECTRONICS CORPORATION. ALL RIGHTS RESERVED.

LOC	DIST	REVISIONS					
		P	LTR	DESCRIPTION	DATE	DWN	APVD
U	-	-	-				



B-B



A-A

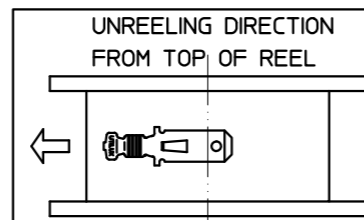
LOOSE PIECE	BRASS	TAB, H2832/10000	1-1627133-6
REEL FORM	BRASS PRE-TIN	TAB, H2832ET/R7000	1-1627133-3
REEL FORM	BRASS	TAB, H2832/R7000	1-1627133-2
LOOSE PIECE	BRASS	TAB, H2832/1000	1-1627133-0
REMARKS	MATERIAL	DESCRIPTION	PART No.

NOTES:

1. WIRE RANGE

CONDUCTOR: 0.7mm<sup>2</sup> - 2.1mm<sup>2</sup>

INSULATION DIA: 2.3mm - 3.1mm



THIS DRAWING IS A CONTROLLED DOCUMENT.

ALL DIMENSIONS IN mm:

DIMENSION (mm)	TOLERANCE (+mm)
LESS THAN 10	0.4
OVER 10 TO 30	0.5
OVER 30 TO 80	0.7
OVER 80 TO 250	1.0
ANGLES	+2°

MATERIAL

FINISH

DWN: W.RIEDE 6.12.04

CHK: H.THAI 6.12.04

APVD: W.RIEDE 6.12.04

PRODUCT SPEC:

APPLICATION SPEC:

WEIGHT:

**tyco** Tyco Electronics Corporation  
**Electronics** AUSTRALIA

NAME:

TAB, QC 6.3

SIZE

CAGE CODE

DRAWING NO

RESTRICTED TO

A3

©-1627133

-

CUSTOMER DRAWING

SCALE 4:1

SHEET 1 OF 1

REV 0

THIS INFORMATION IS CONFIDENTIAL AND PROPRIETARY TO TYCO ELECTRONICS CORPORATION AND ITS WORLDWIDE SUBSIDIARIES AND AFFILIATES. IT MAY NOT BE DISCLOSED TO ANYONE OTHER THAN TYCO ELECTRONICS PERSONNEL WITHOUT WRITTEN PERMISSION FROM TYCO ELECTRONICS CORPORATION, HARRISBURG, PENNSYLVANIA, USA.