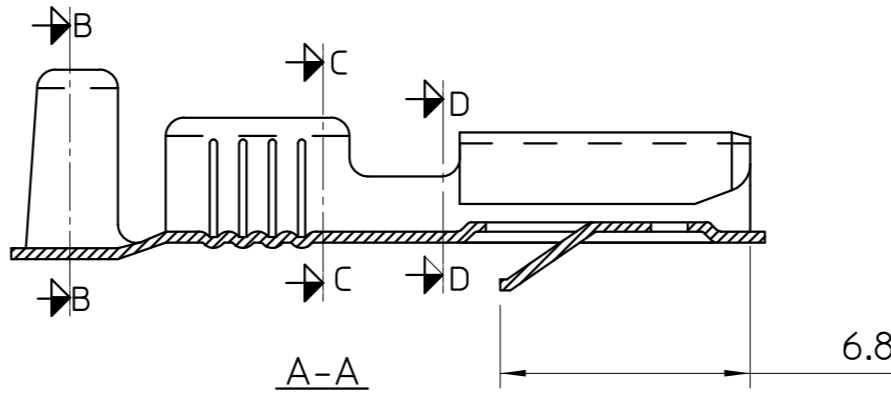
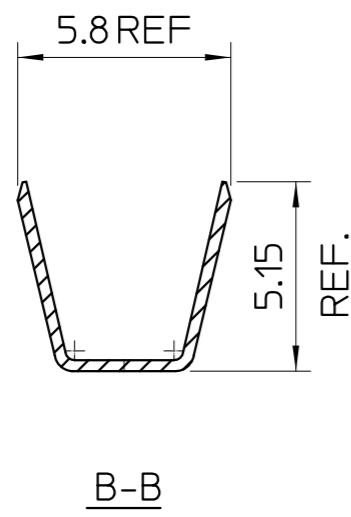
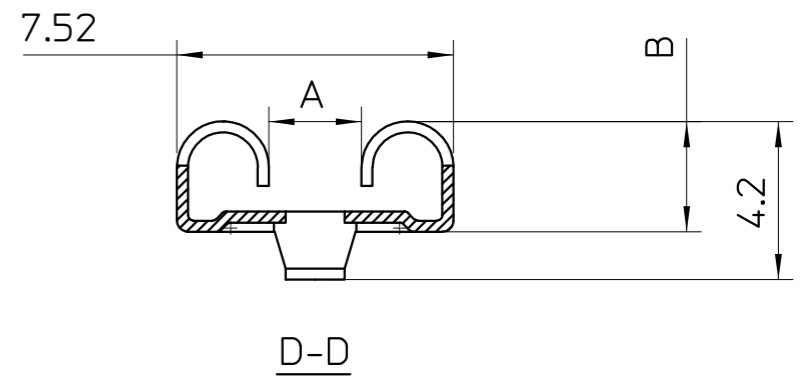
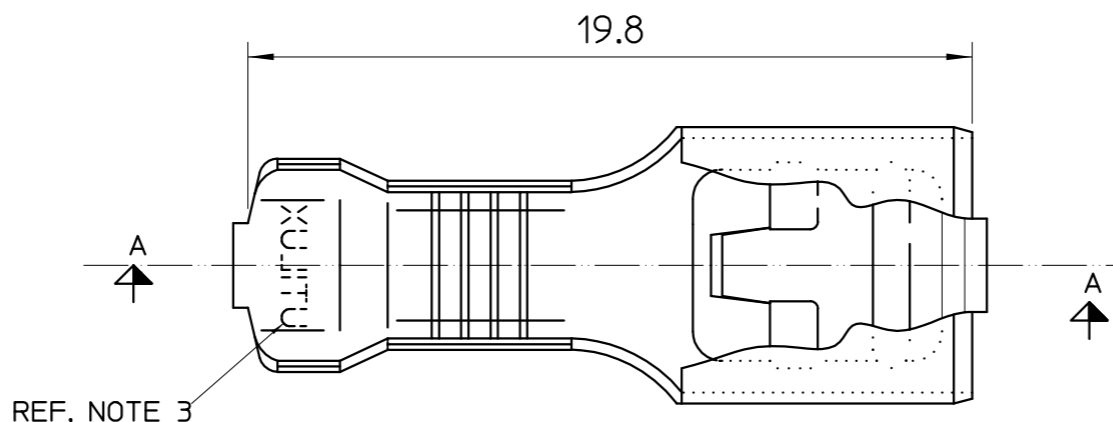
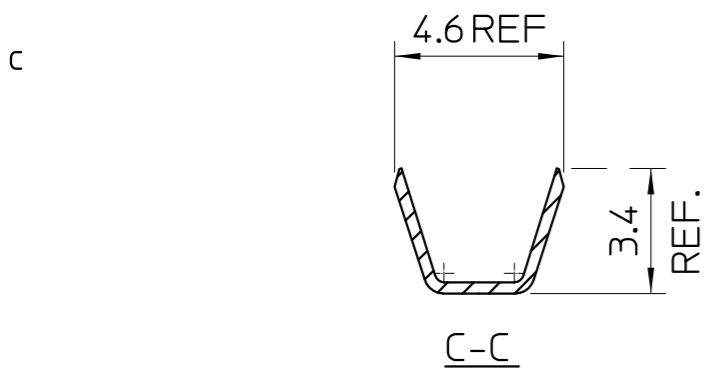


THIS DRAWING IS UNPUBLISHED. RELEASED FOR PUBLICATION  
 COPYRIGHT BY TYCO ELECTRONICS CORPORATION. ALL RIGHTS RESERVED.

LOC U  
 DIST -

| REVISIONS |     |                  |           |       |
|-----------|-----|------------------|-----------|-------|
| P         | LTR | DESCRIPTION      | DATE      | APVD  |
|           | A   | ECN FA00 0057 03 | 3 SEPT 03 | HT WR |



NOTES:

- THIS RECEPTACLE HAS NO LOCKING DIMPLE AND SHOULD ONLY BE USED WITH A SUITABLE LATCHING HOUSING
- WIRE SIZE RANGE:  
 CONDUCTOR: 1 - 1.5 mm<sup>2</sup>  
 INSULATION: 2.8 - 3.4mm DIA.
- MAY BE STAMPED 'UTILUX', 'AMP', OR 'TE'
- 1-1627154-7 IS DESIGNED TO SUIT INARCA HOUSING

|             |                      |          |          |                             |             |
|-------------|----------------------|----------|----------|-----------------------------|-------------|
| 8K REEL     | BRASS ET (PRE-PLATE) | 3.1      | 3.2      | RECEP. H3555 ET. SEE NOTE 4 | 1-1627154-7 |
| BOX OF 5000 | BRASS                | 2.1      | 2.9      | RECEPTACLE H3555            | 1-1627154-6 |
| BOX OF 150  | BRASS                |          |          | RECEPTACLE H3555            | 1-1627154-5 |
| BOX OF 10K  | BRASS                |          |          | RECEPTACLE H3555            | 1-1627154-4 |
| 8K REEL     | BRASS ET (PRE-PLATE) |          |          | RECEPTACLE H3555 ET         | 1-1627154-2 |
| 8K REEL     | BRASS                |          |          | RECEPTACLE H3555            | 1-1627154-1 |
| BOX OF 1K   | BRASS                |          |          | RECEPTACLE H3555            | 1-1627154-0 |
| REMARKS     | MATERIAL DESC.       | Dim. "A" | Dim. "B" | DESCRIPTION                 | PART No.    |

THIS DRAWING IS A CONTROLLED DOCUMENT.

ALL DIMENSIONS IN mm: TOLERANCES UNLESS OTHERWISE SPECIFIED:  
 DIMENSION (mm) TOLERANCE (+mm)  
 LESS THAN 10 0.25  
 OVER 10 TO 30 0.25  
 OVER 30 TO 80 -  
 OVER 80 TO 250 -  
 ANGLES ±2°

UNREELING DIRECTION:

MATERIAL: - FINISH: -

APVD: WR 10.MAR.03  
 CHK: HT 10.MAR.03  
 PRODUCT SPEC: -  
 APPLICATION SPEC: -  
 WEIGHT: -

**tyco** Tyco Electronics Corporation AUSTRALIA  
**Electronics**

NAME: RECEPTACLE QC 6.3

|      |           |            |               |
|------|-----------|------------|---------------|
| SIZE | CAGE CODE | DRAWING NO | RESTRICTED TO |
| A3   |           | C-1627154  | -             |

CUSTOMER DRAWING SCALE 5:1 SHEET 1 OF 1 REV A

THIS INFORMATION IS CONFIDENTIAL AND PROPRIETARY TO TYCO ELECTRONICS CORPORATION AND ITS WORLDWIDE SUBSIDIARIES AND AFFILIATES. IT MAY NOT BE DISCLOSED TO ANYONE OTHER THAN TYCO ELECTRONICS PERSONNEL WITHOUT WRITTEN AUTHORIZATION FROM TYCO ELECTRONICS CORPORATION, HARRISBURG, PENNSYLVANIA, USA.