

4

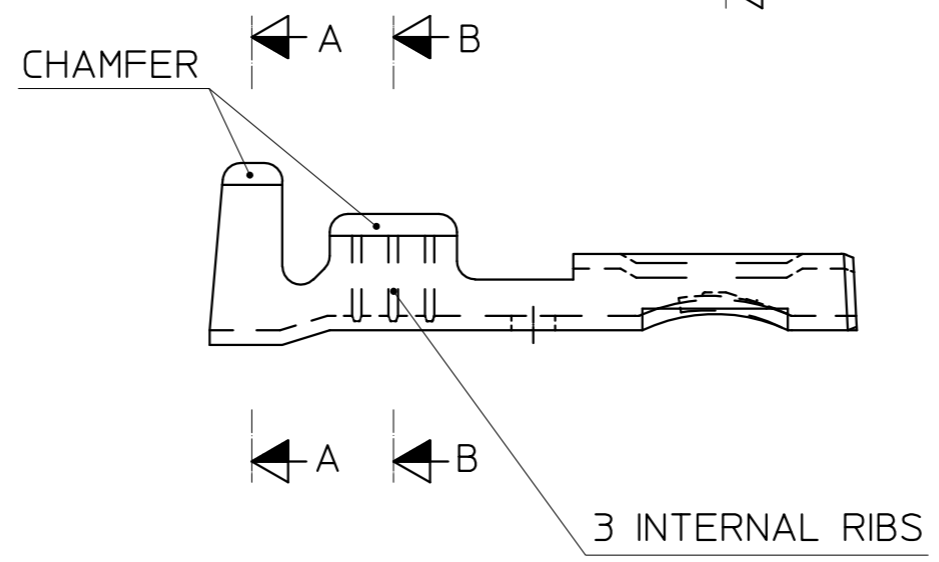
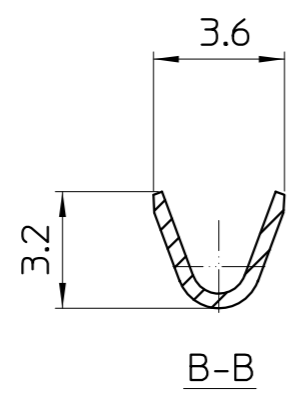
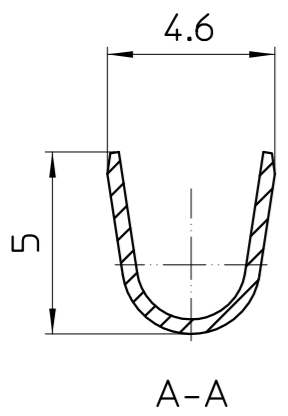
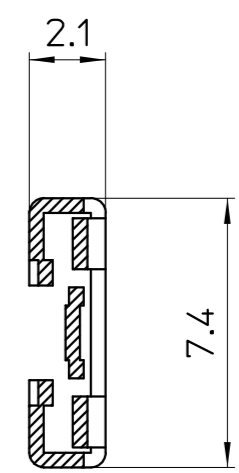
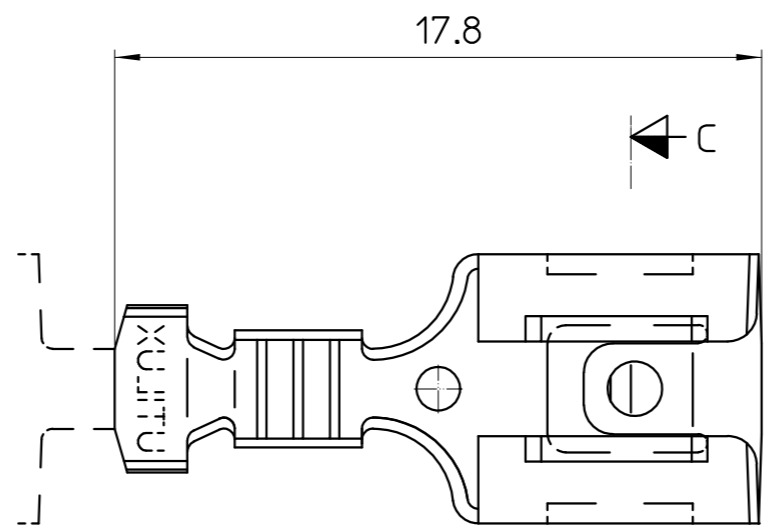
3

2

1

THIS DRAWING IS UNPUBLISHED. RELEASED FOR PUBLICATION
 © COPYRIGHT BY TYCO ELECTRONICS CORPORATION. ALL RIGHTS RESERVED.

LOC		DIST		REVISIONS			
P	LTR	DESCRIPTION	DATE	DWN	APVD		
U	-	01	ECR-06-007132	WIRE SIZE CORRECTED	23/03/06	HT	WR

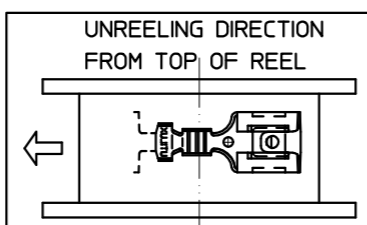


NOTES:
 1. WIRE SIZE RANGE:
 CONDUCTOR: 0.5mm² - 1.0mm²
 INSULATION DIA. : 2.2mm - 2.8mm
 2. FOR CRIMPING DETAILS REFER
 TO UTILUX CRIMP CHART NO. H25905

THIS INFORMATION IS CONFIDENTIAL AND PROPRIETARY TO TYCO ELECTRONICS CORPORATION AND ITS WORLDWIDE SUBSIDIARIES AND AFFILIATES. IT MAY NOT BE DISCLOSED OR REPRODUCED IN ANY MANNER WITHOUT THE WRITTEN AUTHORIZATION FROM TYCO ELECTRONICS CORPORATION, HARRISBURG, PENNSYLVANIA USA.

THIS DRAWING IS A CONTROLLED DOCUMENT.

ALL DIMENSIONS IN mm:	TOLERANCES UNLESS OTHERWISE SPECIFIED:
	DIMENSION (mm) TOLERANCE(+mm)
	LESS THAN 10 0.4
	OVER 10 TO 30 0.5
	OVER 30 TO 80 0.7
	OVER 80 TO 250 1.0
	ANGLES ±2°



MATERIAL	FINISH
-	-

BRASS PRE-TIN	RECEPTACLE H25905	1-1659252-0
MATERIAL	DESCRIPTION	PART No.
DWN: W.RIEDE 3.11.04	Tyco Electronics Corporation AUSTRALIA	
CHK: H.THAI 3.11.04		
APVD: W.RIEDE 3.11.04	NAME: RECEPTACLE QC 6.3	
PRODUCT SPEC: -	SIZE	CAGE CODE
APPLICATION SPEC: -	A3	
WEIGHT: -	DRAWING NO: C=1659252	
CUSTOMER DRAWING		RESTRICTED TO: -
SCALE 5:1	SHEET 1 OF 1	REV 01