

4

3

2

1

THIS DRAWING IS UNPUBLISHED.

RELEASED FOR PUBLICATION

COPYRIGHT BY TYCO ELECTRONICS CORPORATION. ALL RIGHTS RESERVED.

ALL RIGHTS RESERVED.

LOC
U

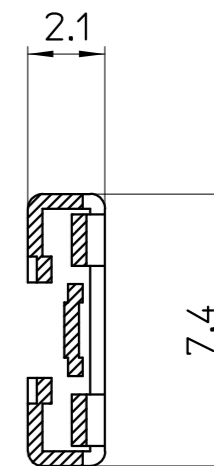
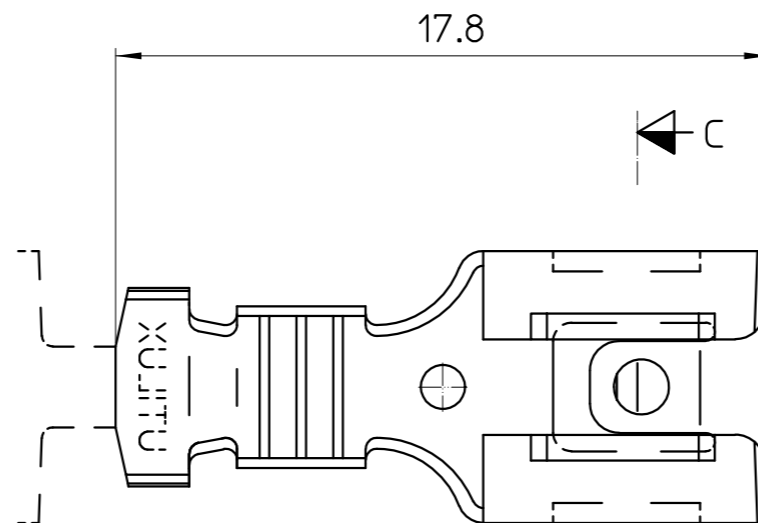
DIST
-

REVISIONS

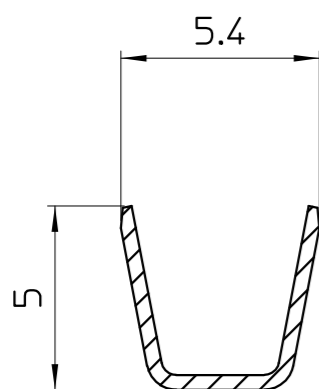
P	LTR	DESCRIPTION	DATE	DWN	APVD

D

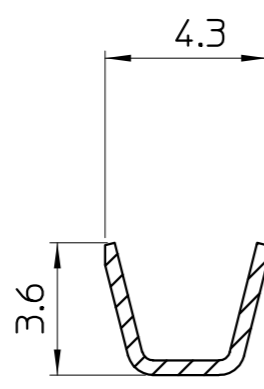
C



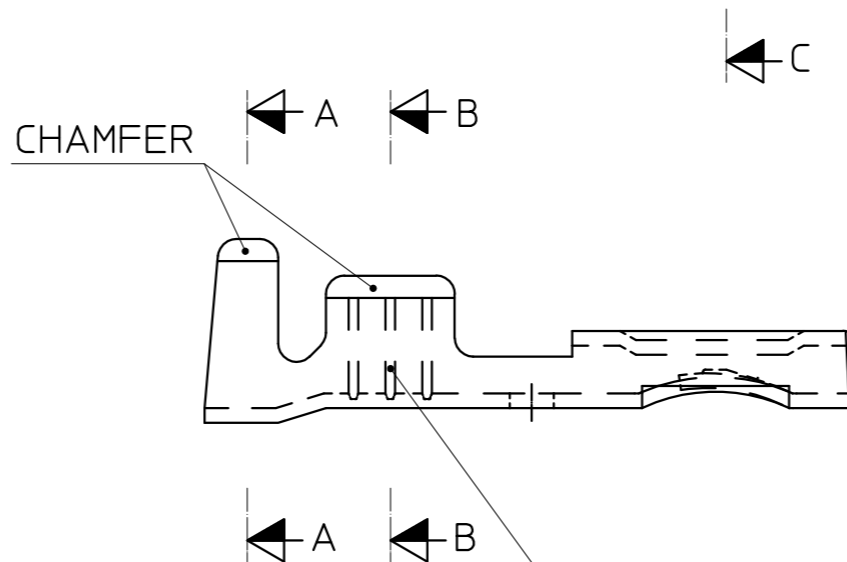
C-C



A-A



B-B

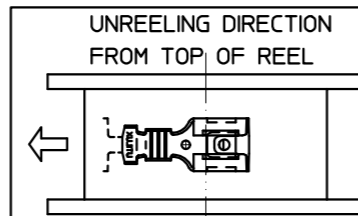


CHAMFER

3 INTERNAL RIBS

NOTES:

1. WIRE SIZE RANGE:
CONDUCTOR: 1.0mm² - 1.5mm²
INSULATION DIA. : 2.8mm - 3.2mm
2. FOR CRIMPING DETAILS REFER
TO UTILUX CRIMP CHART NO. H25906



THIS DRAWING IS A CONTROLLED DOCUMENT.

ALL DIMENSIONS IN mm:

DIMENSION (mm)	TOLERANCE (±mm)
LESS THAN 10	0.4
OVER 10 TO 30	0.5
OVER 30 TO 80	0.7
OVER 80 TO 250	1.0
ANGLES	±2°

MATERIAL

FINISH

BRASS PRE-TIN	RECEPTACLE H25906	1-1659253-0
MATERIAL	DESCRIPTION	PART No.
DWN: W.RIEDE 3.11.04	Tyco Electronics Corporation AUSTRALIA	
CHK: H.THAI 3.11.04		
APVD: W.RIEDE 3.11.04	NAME: RECEPTACLE QC 6.3	
PRODUCT SPEC: -	SIZE: A3	CAGE CODE: -
APPLICATION SPEC: -	DRAWING NO: ©-1659253	
WEIGHT: -	RESTRICTED TO: -	
CUSTOMER DRAWING		
SCALE: 5:1	SHEET: 1 OF 1	REV: 0

THIS INFORMATION IS CONFIDENTIAL AND PROPRIETARY TO TYCO ELECTRONICS CORPORATION AND ITS WORLDWIDE SUBSIDIARIES AND AFFILIATES. IT MAY NOT BE DISCLOSED TO ANYONE OTHER THAN TYCO ELECTRONICS PERSONNEL WITHOUT WRITTEN PERMISSION FROM TYCO ELECTRONICS CORPORATION, HARRISBURG, PENNSYLVANIA, USA.