

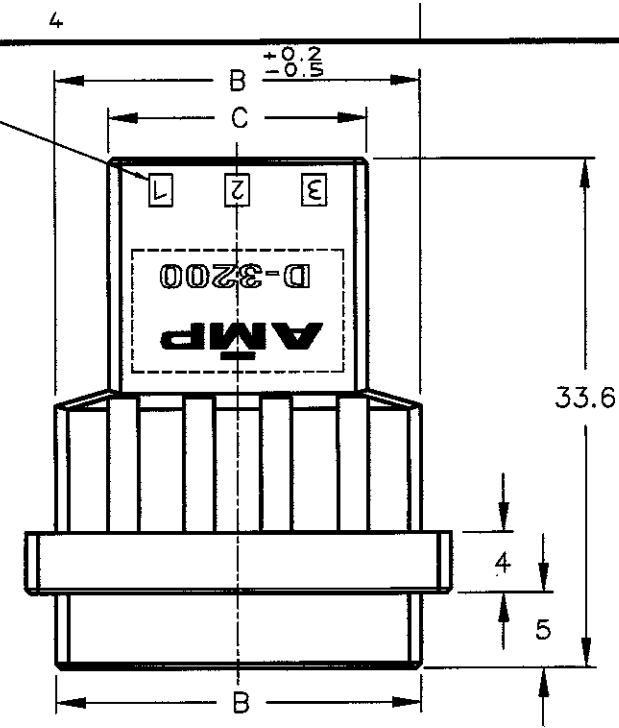
NUMBER 179554

METRIC

PRINT DIST. DIMENSIONS IN MM. DO NOT SCALE PRINT

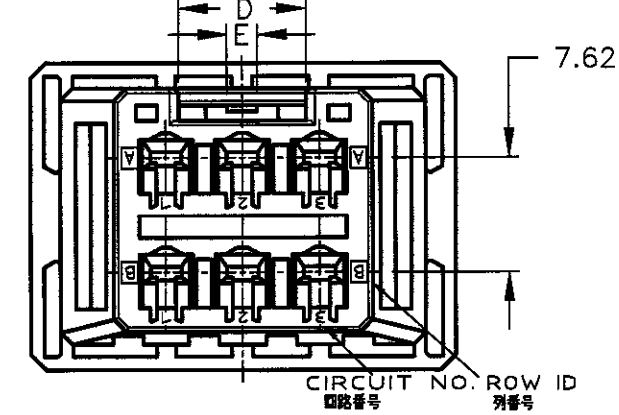
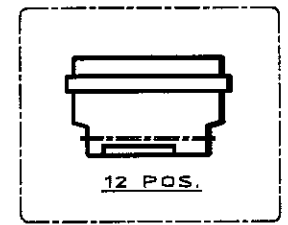
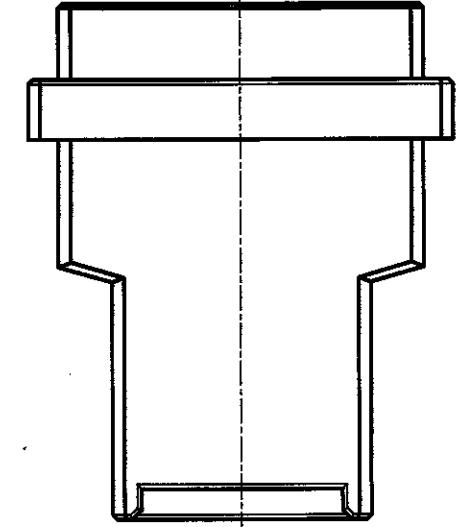
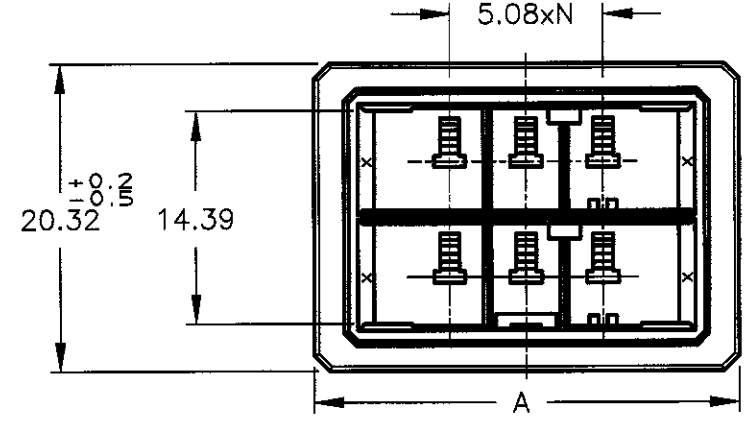
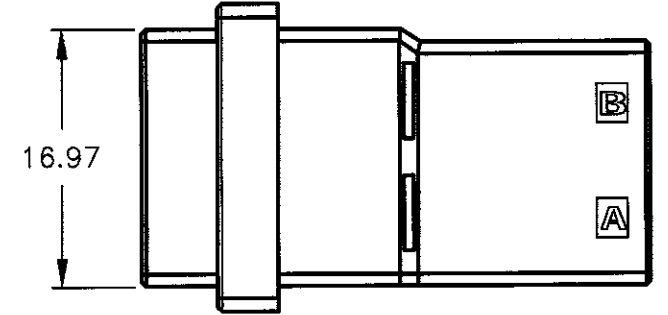
AMP-J REV.10/83

CIRCUIT NO.
回路番号



NOTES

- 1 MATERIAL: GLASS FIBER THERMO PLASTIC, POLYESTER
COLOR: BLACK
 - 2 TO COAT ALL SURFACE OF HOUSING WITH TEFLON
- 注記
- 1 材料: ガラス入り熱可塑性ポリエステル樹脂
色: 黒色
 - 2 ハウジング全面にテフロン塗装のこと



CIRCUIT NO. ROW ID
回路番号 列番号

| | | |
|-------------------------|-------------|-------------------|
| | XY | 3-179554-6 |
| | | 7-179554-6 |
| | YY | 2-179554-6 |
| | | 6-179554-6 |
| | XX | 1-179554-6 |
| | | 5-179554-6 |
| | XY | 3-179554-3 |
| | | 2-179554-3 |
| | YY | 2-179554-3 |
| | | 1-179554-3 |
| | XX | 1-179554-3 |
| | | 5-179554-3 |
| キーイング KEYING PATTERN | パターン KEY | キー PART NUMBER |

| | | | | | | | | | | | | | | | | | | |
|--------|-----------|----|---|---|----|-------|-------|-------|------|---|---|--|--|--|--|--|--|-------------|
| △ | | | | | | | | | | | | | | | | | | 7-179554-6 |
| △ | | | | | | | | | | | | | | | | | | 6-179554-6 |
| △ | | | | | | | | | | | | | | | | | | 5-179554-6 |
| | | | | | | | | | | | | | | | | | | 3-179554-6 |
| | | | | | | | | | | | | | | | | | | 2-179554-6 |
| | | | | | 12 | 43.35 | 39.4 | 32.4 | 18.4 | 4 | 5 | | | | | | | 1-179554-6 |
| △ | | | | | | | | | | | | | | | | | | 5-179554-3 |
| | | | | | | | | | | | | | | | | | | 3-179554-3 |
| | | | | | | | | | | | | | | | | | | 2-179554-3 |
| | | | | | 6 | 28.11 | 24.16 | 17.16 | 8.4 | 2 | 2 | | | | | | | 1-179554-3 |
| FINISH | POS. 脚 | 寸法 | A | B | C | D | E | N | | | | | | | | | | 型番 |
| | DIMENSION | | | | | | | | | | | | | | | | | PART NUMBER |

| | | | | | | | | | | | | | | |
|-----|-------------------------|-----|-----|--|-------------------------|--|--------------------------|--|--|---|------------|------|--------|----------|
| | | | | Copyright ©1994 * Tyco Electronics AMP K.K. ALL RIGHTS RESERVED. | | | AMP | | | Tyco Electronics AMP K.K. Kawasaki, Japan | | | | |
| D1 | ADD P/N. (FJ00-1259-00) | D.M | S.M | 11/697 | 名称 (NAME) | | | フリーハンギングタイプタブハウジング ダイナミック D3200D シリーズ用 WIRE TO WIRE TAB HSG FOR DYNAMIC D-3200D FREE HANGING TYPE | | | | | | |
| D | REVISED (FJ00-2158-95) | KI | S.M | 4/18 95 | 材料 (MATERIAL) | | 一般公差 (GENERAL TOLERANCE) | | | | | SIZE | LOC | 番号 (No.) |
| C | REVISED (FJ00-0885-94) | KI | S.M | 9/27 94 | 仕上 (FINISH) | | 10HUF ±0.2 | | | | B | J | 179554 | |
| B | REVISED (FJ00-0691-94) | NM | S.M | 5/31 94 | SEE NOTES | | 108HUF ±0.25 | | | | | | | |
| A | REVISED (FJ00-0454-94) | NM | S.M | 4/12 94 | DR. 31 JAN 94 | | 308HUF ±0.3 | | | | 2/1 | D1 | 1 OF 1 | |
| O | RELEASED (FJ00-1095-93) | NM | S.M | 2/2 94 | DE. 31 JAN 94 | | A ±3 | | | | | | | |
| LTR | 変更 (REVISION RECORD) | DR | CHK | DATE | CHK. 2 FEB 94 S. MANABE | | APP. 2 FEB 94 S. MANABE | | | | REV. SHEET | | | |