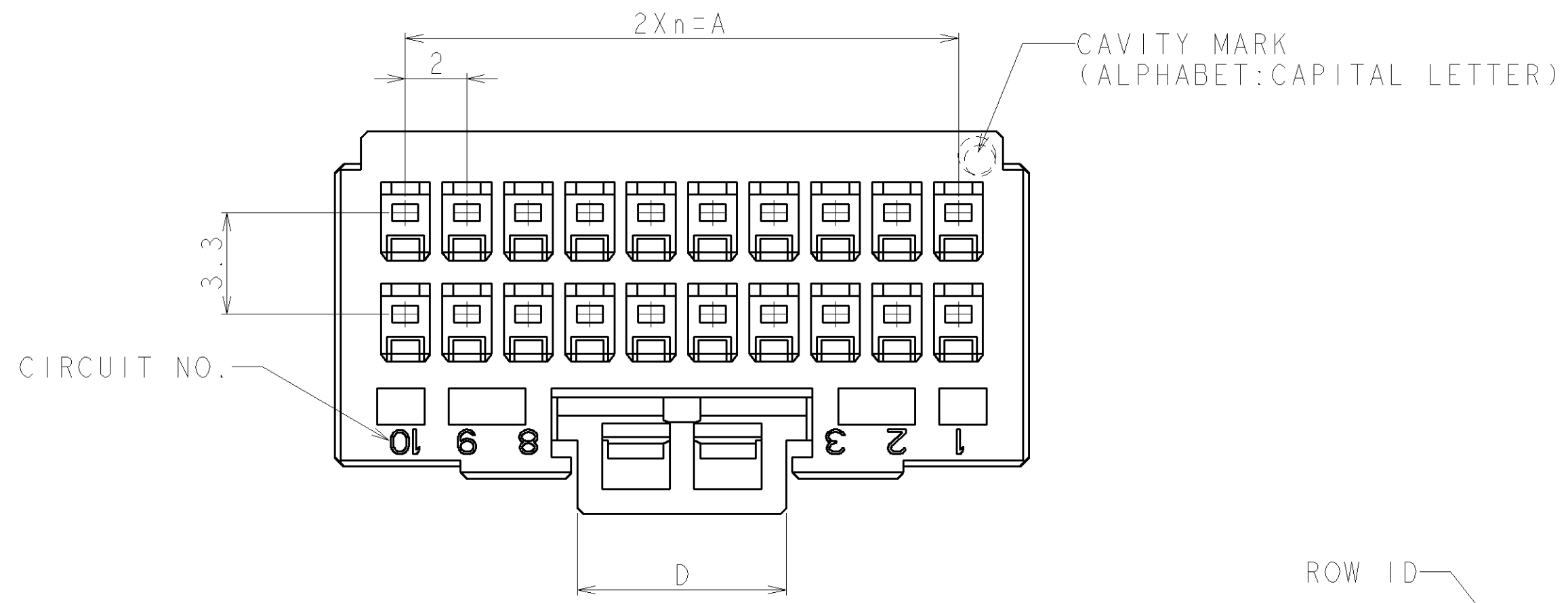


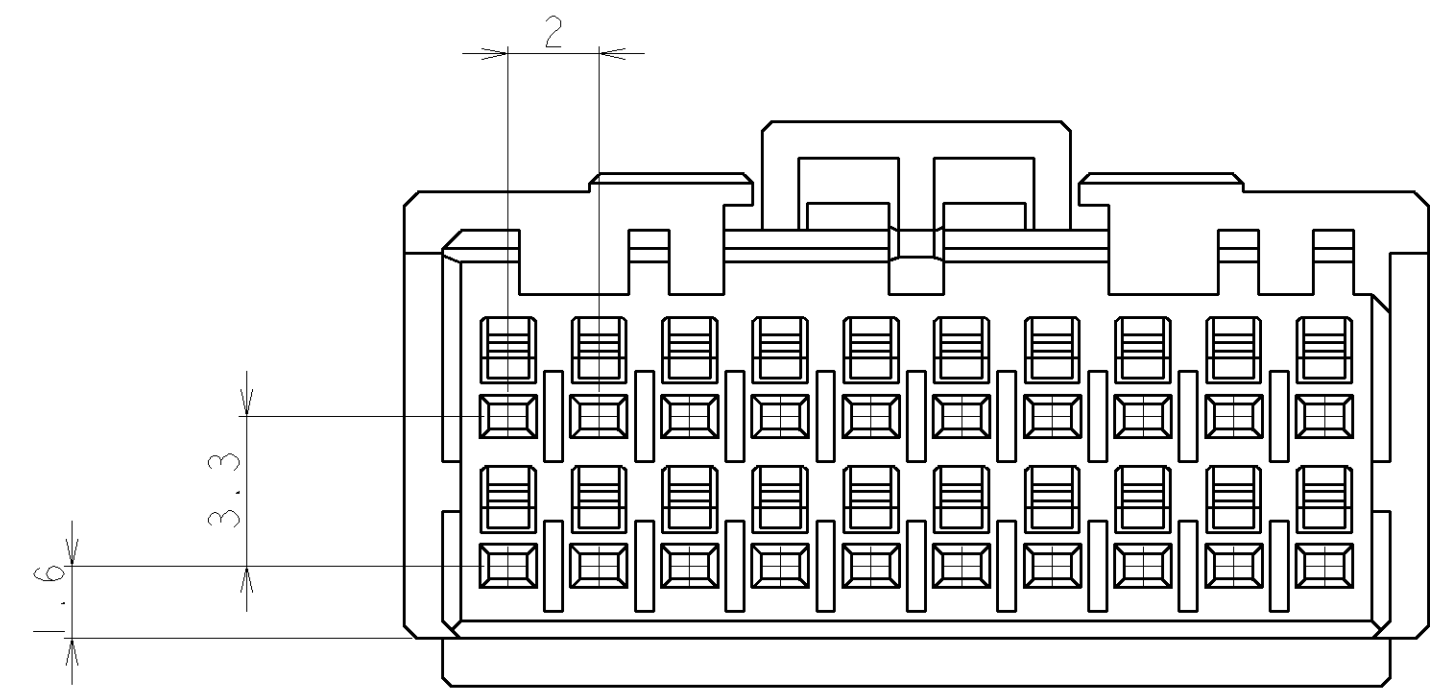
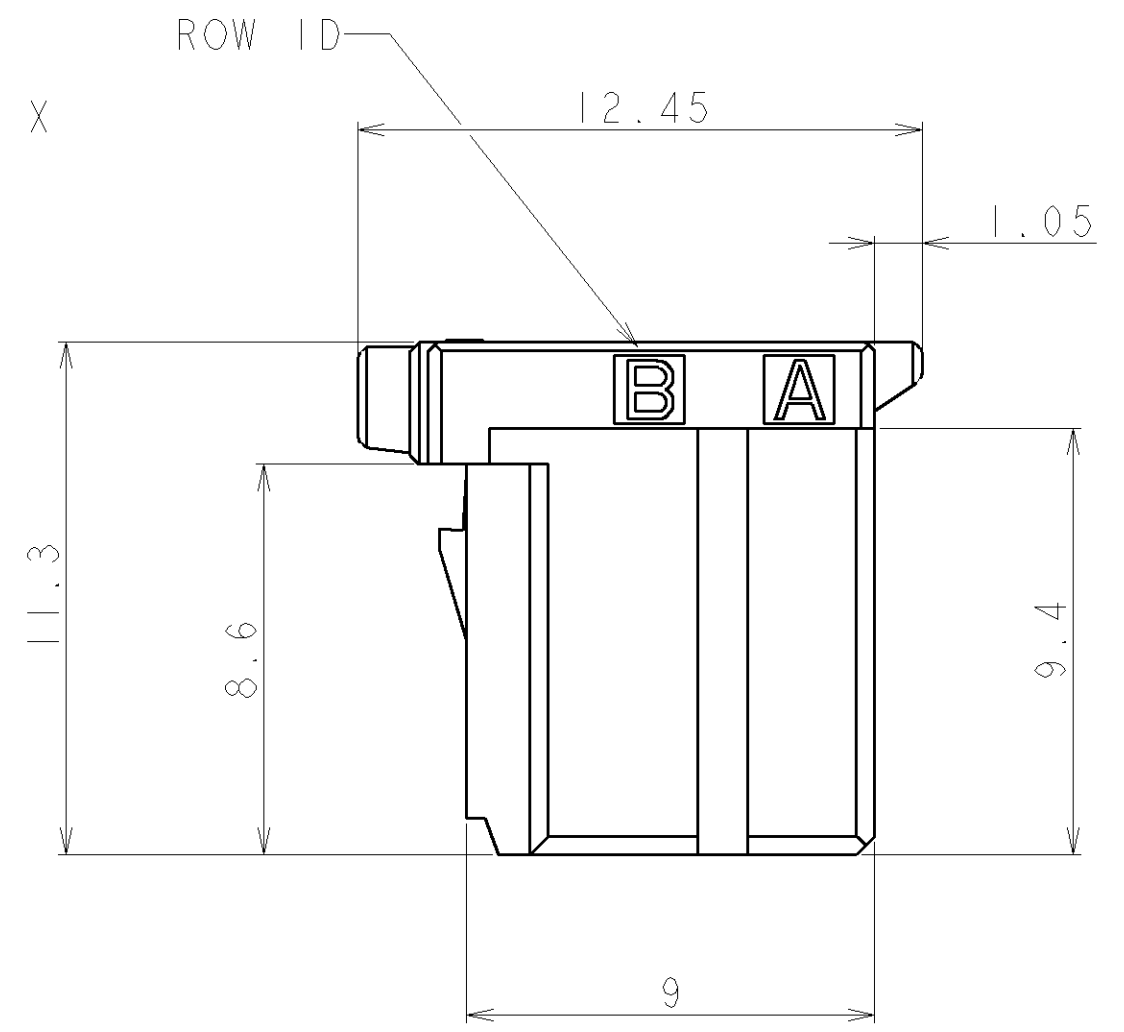
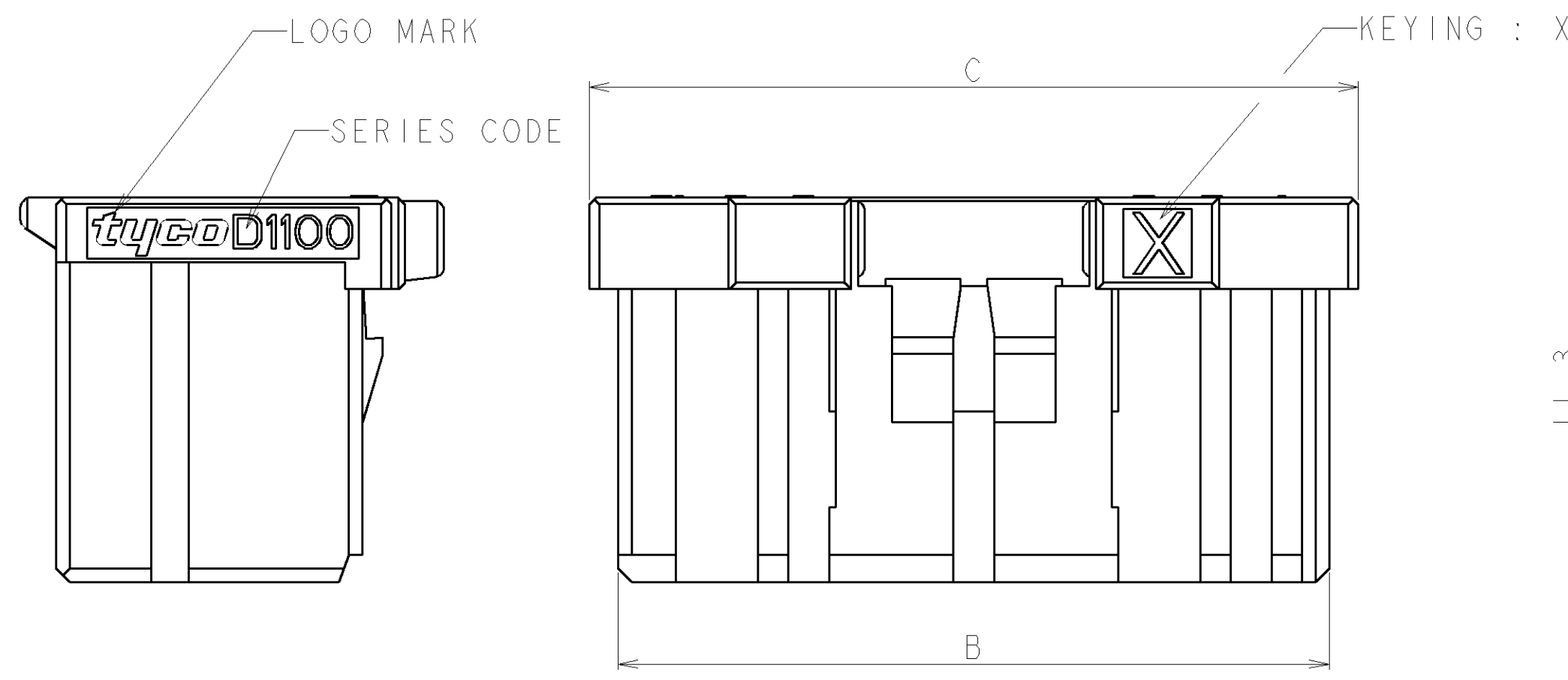
THIS DRAWING IS UNPUBLISHED. RELEASED FOR PUBLICATION 2005
 © COPYRIGHT 2005 BY TYCO ELECTRONICS CORPORATION. ALL INTERNATIONAL RIGHTS RESERVED.

LOC		DIST		REVISIONS			
P	LTR	DESCRIPTION	DATE	DWN	APVD		
	D	REVISED ECR-10-016030	02AUG2010	T.T	T.M		



- 1. MATERIAL: GLASS FILED THERMO PLASTIC POLYESTER(94V-0), COLOR: BLACK
- 2. THE SHAPE, SIZE AND POSITION OF THE CHARACTER SHOW THE OUTLINE. THEY DON'T SHOW DETAILS.

- 1. 材料: ガラス入り熱可塑性ポリエステル樹脂(94V-0)、色: 黒
- 2. 文字の形状、大きさ、および位置については、大略を示すものであり、詳細を示すものではありません。



20	X	9	18.0	20.9	22.6	6.8	1-1827862-0
18	X	8	16.0	18.9	20.6	8.1	1-1827862-9
10	X	4	8.0	10.9	12.6	3.6	1-1827862-5
POS.	KEY	n	A	B	C	D	PART NO.

AS SHOWN
 20POS : 1-1827862-0

THIS DRAWING IS A CONTROLLED DOCUMENT FOR TYCO ELECTRONICS CORPORATION. IT IS SUBJECT TO CHANGE AND THE CONTROLLING ENGINEERING ORGANIZATION SHOULD BE CONTACTED FOR THE LATEST REVISION.

DWN: M. MAEBASHI 25MAY2005
 CHK: T. KUDO 25MAY2005
 APVD: D. MITSUGI 31AUG2005

Tyco Electronics Tyco Electronics Corporation
 Kawasaki, Japan

NAME: DYNAMIC D1100D 2.0mm PITCH
 REC HSG
 10-20 POS

SIZE: A2 CAGE CODE: 00779 DRAWING NO: 1827862 RESTRICTED TO: D

SCALE: 6:1 SHEET 1 OF 3 REV D

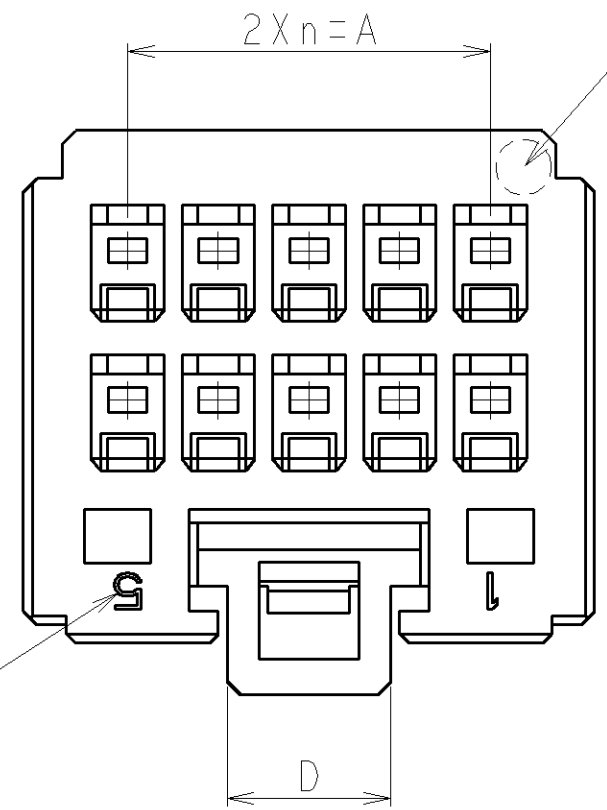
MATERIAL: 材料 TOLERANCES UNLESS OTHERWISE SPECIFIED: 一般公差 ±0.3, ±3*
 DIMENSIONS: 単位: 概 mm 1-PLC ± 2-PLC ± 3-PLC ± 4-PLC ± ANGLES FINISH 仕上

PRODUCT SPEC: 108-78268
 APPLICATION SPEC: 取付適用規格
 WEIGHT: 114-5377
 CUSTOMER DRAWING

THIS DRAWING IS UNPUBLISHED. RELEASED FOR PUBLICATION 2005
 © COPYRIGHT 2005 BY TYCO ELECTRONICS CORPORATION. ALL INTERNATIONAL RIGHTS RESERVED.

LOC		DIST		REVISIONS			
P	LTR	DESCRIPTION	DATE	DWN	APVD		
-	-	SEE SHEET 1	-	-	-		

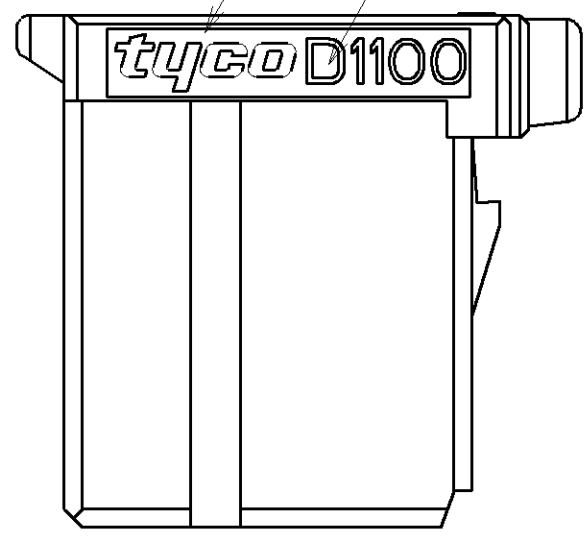
CAVITY MARK
(ALPHABET: CAPITAL LETTER)



CIRCUIT NO.

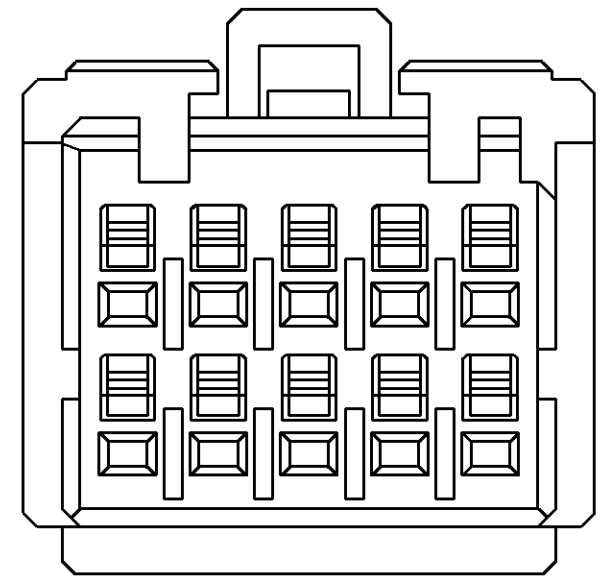
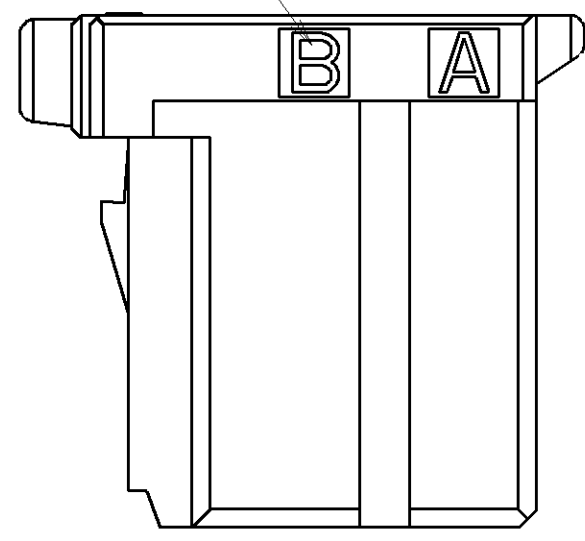
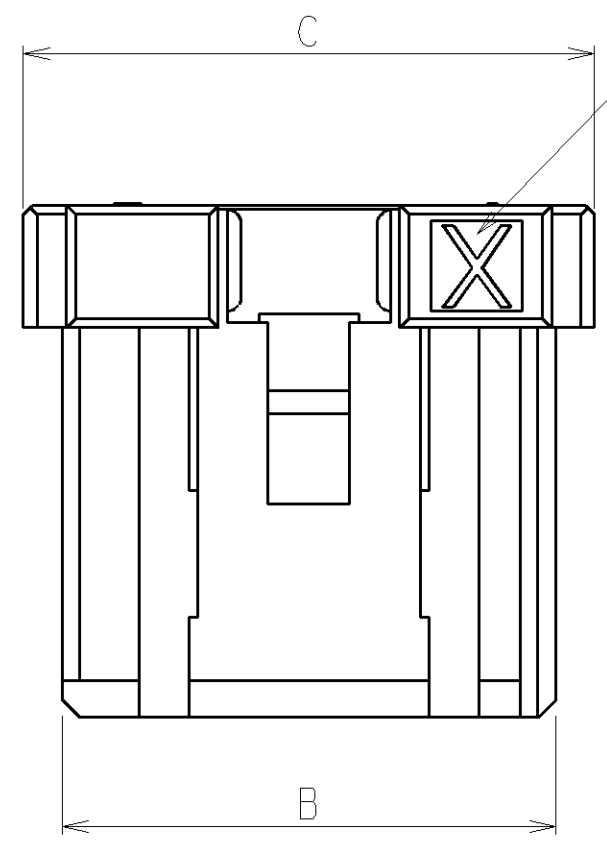
LOGO MARK

SERIES CODE



ROW ID

KEYING MARK



AS SHOWN
10POS : 1-1827862-5

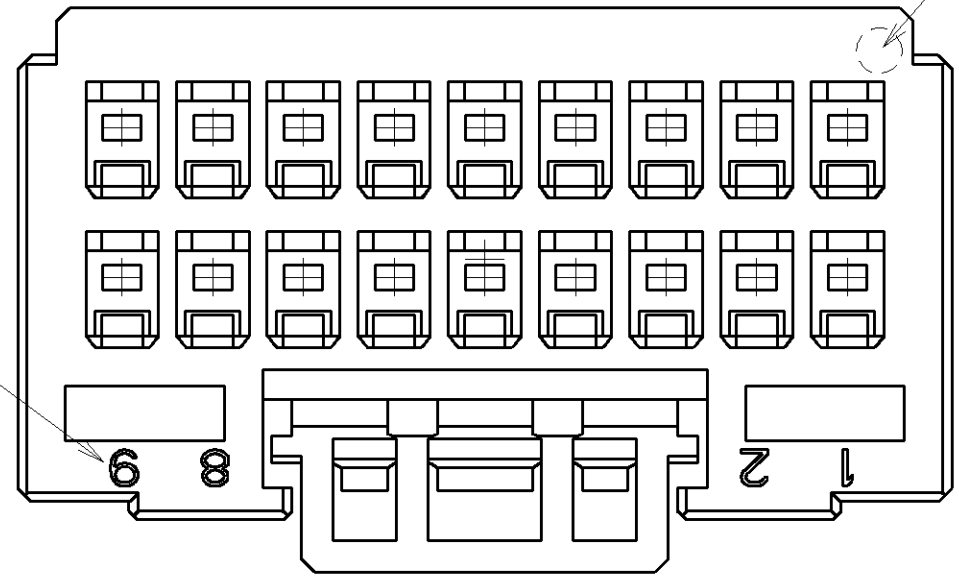
<small>THIS DRAWING IS A CONTROLLED DOCUMENT FOR TYCO ELECTRONICS CORPORATION IT IS SUBJECT TO CHANGE AND THE CONTROLLING ENGINEERING ORGANIZATION SHOULD BE CONTACTED FOR THE LATEST REVISION.</small>		DWN	Tyco Electronics Corporation Kawasaki, Japan	
DIMENSIONS: 单位: 精 mm		CHK	NAME 名称	
		APVD	DYNAMIC D1100D 2.0mm PITCH REC HSG 10-20 POS	
TOLERANCES UNLESS OTHERWISE SPECIFIED: 一般公差 0 PLC ± 1 PLC ± 2 PLC ± 3 PLC ± 4 PLC ± ANGLES ± FINISH 仕上		PRODUCT SPEC 製品規格	SIZE	RESTRICTED TO
MATERIAL 材料		APPLICATION SPEC 取付適用規格	CAGE CODE 番号	
		WEIGHT	DRAWING NO 番号	
		CUSTOMER DRAWING	A200779	C-1827862
		SCALE 尺数	6:1	SHEET 2 OF 3 REV D

THIS DRAWING IS UNPUBLISHED. RELEASED FOR PUBLICATION 2005
 © COPYRIGHT 2005 BY TYCO ELECTRONICS CORPORATION. ALL INTERNATIONAL RIGHTS RESERVED.

LOC		DIST		REVISIONS			
P	LTR	DESCRIPTION	DATE	DWN	APVD		
-	-	SEE SHEET 1	-	-	-		

SCALE 1:1
 CAVITY MARK (ALPHABET: CAPITAL LETTER)

CIRCUIT NO.

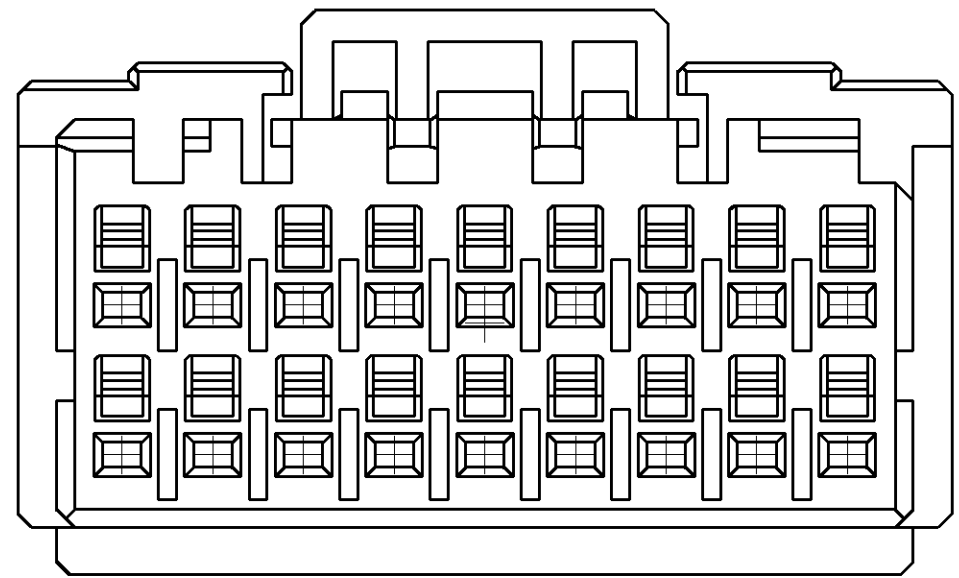
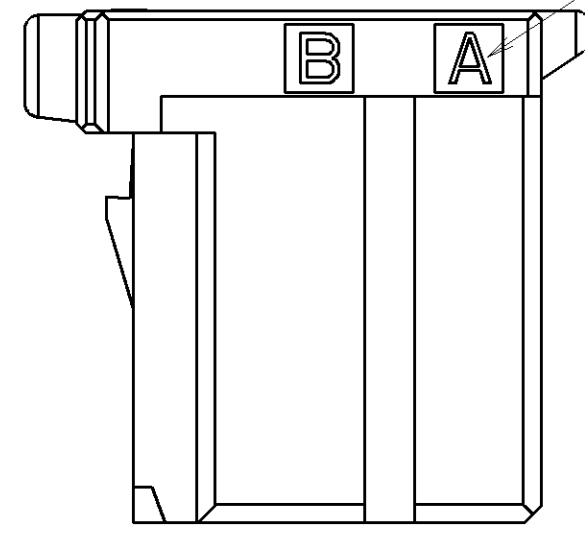
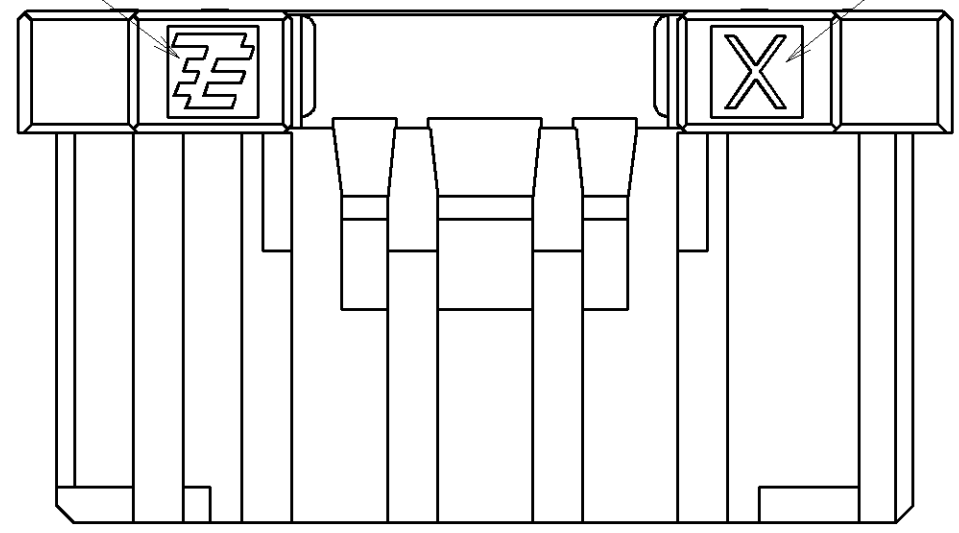
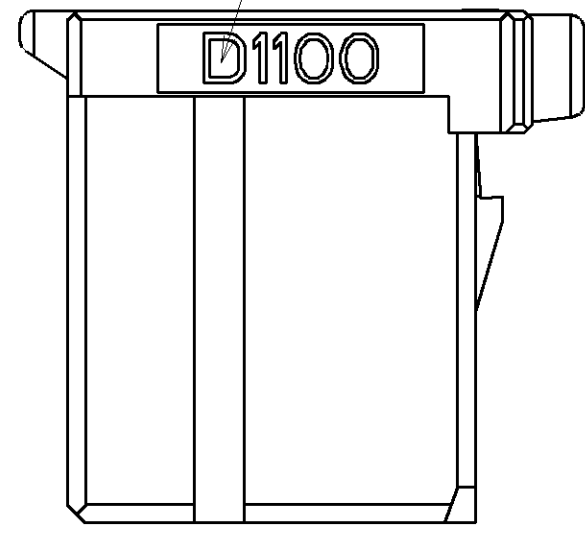


SERIES CODE

LOGO MARK

KEYING MARK

ROW ID



AS SHOWN
 18POS(X-KEY) : 1-1827862-9

THIS DRAWING IS A CONTROLLED DOCUMENT FOR TYCO ELECTRONICS CORPORATION. IT IS SUBJECT TO CHANGE AND THE CONTROLLING ENGINEERING ORGANIZATION SHOULD BE CONTACTED FOR THE LATEST REVISION.		DWN	Tyco Electronics Corporation Kawasaki, Japan	
DIMENSIONS: 单位: 精 mm		CHK	NAME 名称	
TOLERANCES UNLESS OTHERWISE SPECIFIED: 一般公差 0 PLC ± 1 PLC ± 2 PLC ± 3 PLC ± 4 PLC ± ANGLES ± FINISH 仕上		APVD	DYNAMIC D1100D 2.0mm PITCH REC HSG 10-20 POS	
MATERIAL 材料		PRODUCT SPEC 製品規格	SIZE	RESTRICTED TO
		APPLICATION SPEC 取付適用規格	CAGE CODE	
		WEIGHT	DRAWING NO. 番号	
		CUSTOMER DRAWING	A200779	
		SCALE 尺度	C-1827862	
			6:1	
			SHEET 3 OF 3	
			REV D	