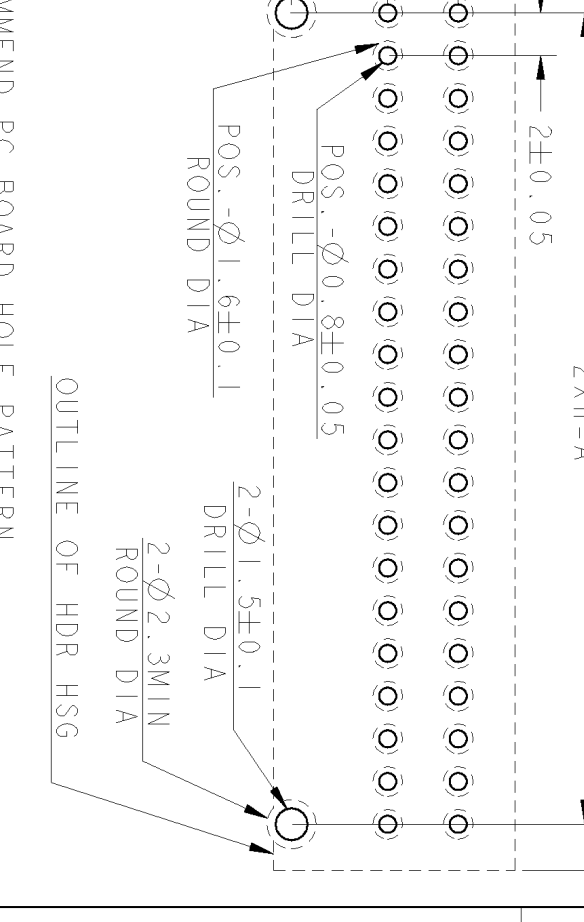
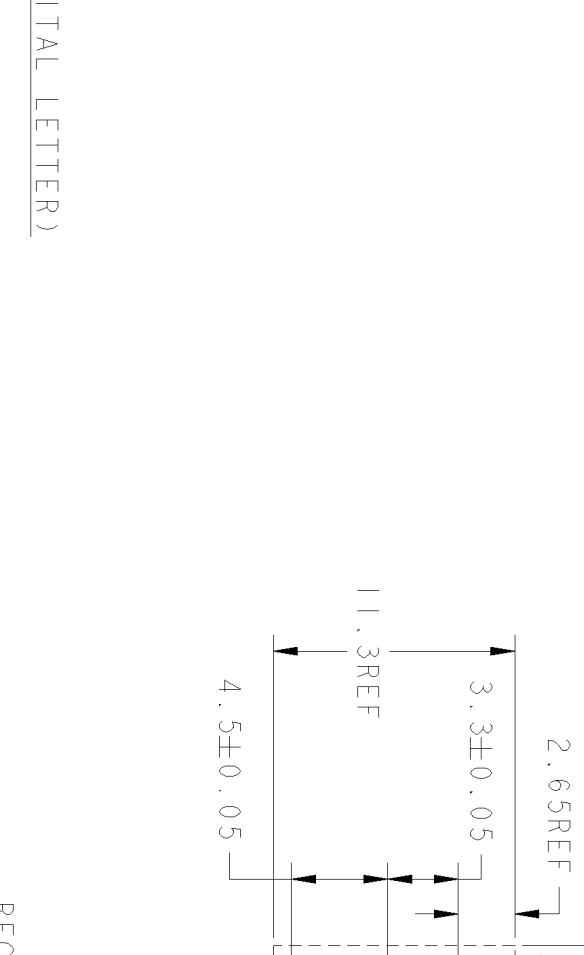
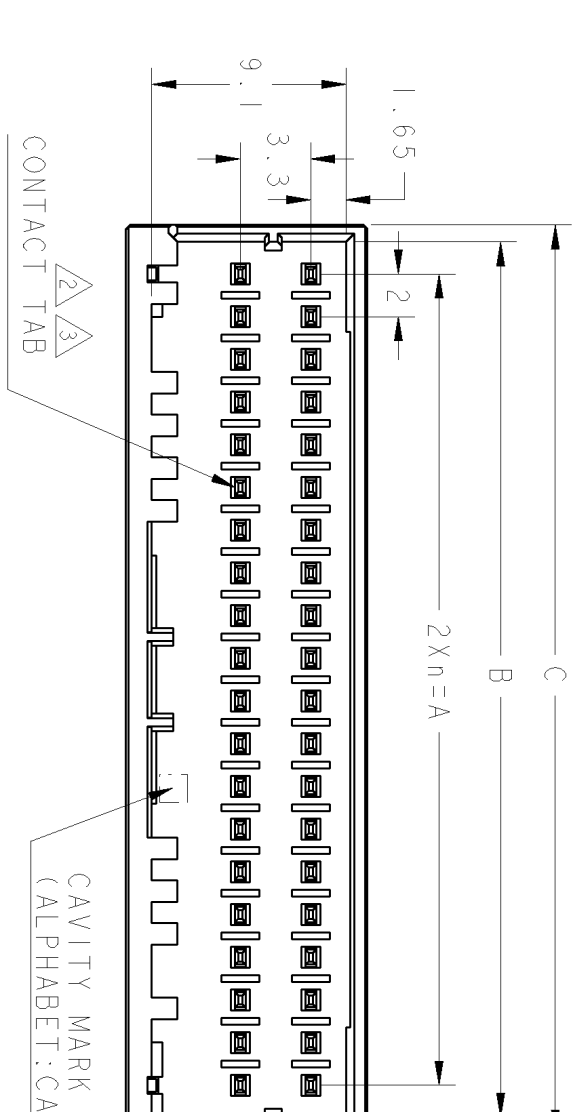


LOC	DIST	REV	DESCRIPTION	ECN	DATE	OWN	APPD	
J	-	A	RELEASED		23AUG2005	M.M	D.M	
		A1	ADDITION PART NO		ECR-07-005648	22MAR2007	M.M	D.M

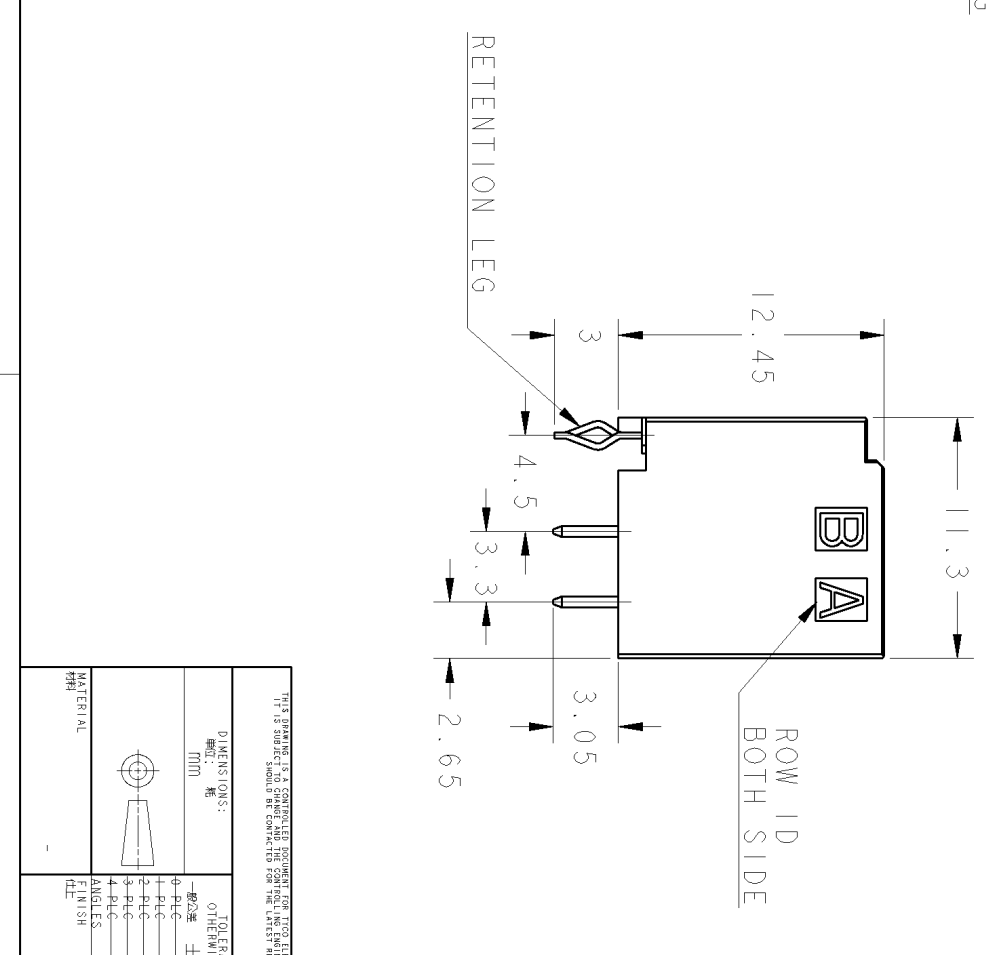
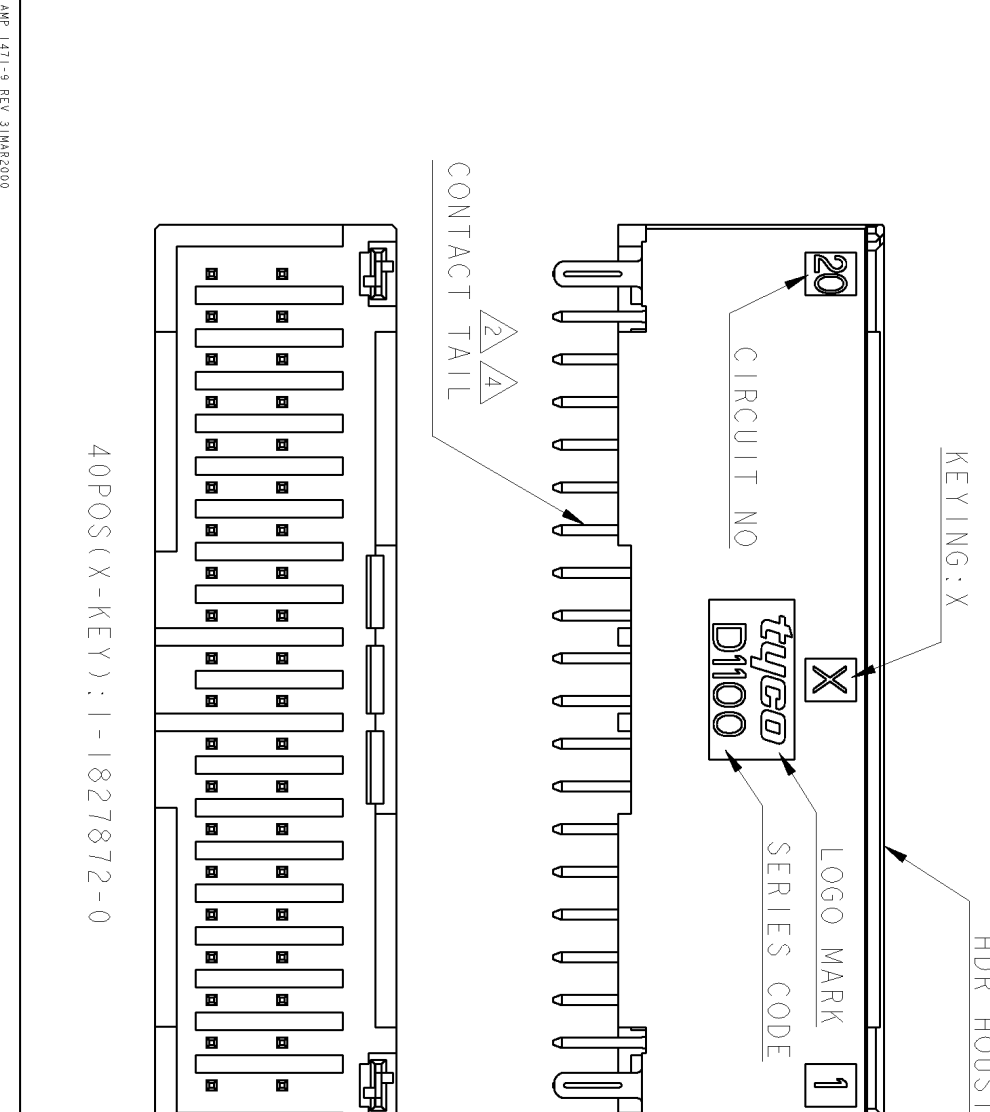
1. 材料: ハウジング: ガラス入り熱可塑性ポリエステル樹脂(94V-0)、色: 黒  
 コンタクト: 銅合金  
 リテンションレグ: 錫めっき済銅合金
2. めっき: 全面: ニッケル下地めっき1.27μm以上
3. めっき: 接触部 2の金めっき0.38μm以上
4. めっき: コンタクト半田付部: 2の上に錫めっき2μm以上
5. 文字の形状、大きさ、および位置については、大略を示すものであり、詳細を示すものではありません。
6. Y KEY形状は、X KEY形状と左右対称

2. FINISH(ALL OVER): NICKEL PL. 1.27μmMIN
3. FINISH(CONTACT AREA): GOLD PL. 0.38μmMIN AFTER 2
4. FINISH(CONTACT TAIL): TIN PL. 2μmMIN AFTER 2
5. THE SHAPE, SIZE AND POSITION OF THE CHARACTER SHOW THE OUTLINE. THEY DON'T SHOW DETAILS.
6. THE KEYING ARRANGEMENT OF "Y" IS SYMMETRIC WITH "X".



RECOMMEND PC BOARD HOLE PATTERN  
 ; CONNECTOR MOUNT SIDE(NOT ACCUMULATE TOLERANCE)  
 PC BOARD THICKNESS : 1.0~1.6±0.1

推奨基板取付穴寸法: コネクタ搭載面(非累積公差)  
 PC基板厚: 1.0~1.6±0.1



POS	KEY	n	A	B	C	PART NO
40	Y	19	38.0	41.0	42.6	2-1827872-0
40	X	19	38.0	41.0	42.6	1-1827872-0
34	Y	16	32.0	35.0	36.6	2-1827872-7
34	X	16	32.0	35.0	36.6	1-1827872-7
32	X	15	30.0	33.0	34.6	1-1827872-6
30	X	14	28.0	31.0	32.6	1-1827872-5
28	X	13	26.0	29.0	30.6	1-1827872-4
26	X	12	24.0	27.0	28.6	1-1827872-3
22	X	10	20.0	23.0	24.6	1-1827872-1

THIS DRAWING IS A COMPUTER GENERATED DRAWING FOR TICO ELECTRONICS CORPORATION. IT IS SUBJECT TO CHANGE WITHOUT NOTICE. ALL DIMENSIONS ARE IN MILLIMETERS UNLESS OTHERWISE SPECIFIED.

DIMENSIONS: MILL. (MM)

TOLERANCES, UNLESS OTHERWISE SPECIFIED: ±0.3 ±0.3

APPROVED: D. MITSUGI 23AUG2005

PRODUCT SPEC: 108-78268

APPLICATION SPEC: 22-40POS

WEIGHT: 114-5377

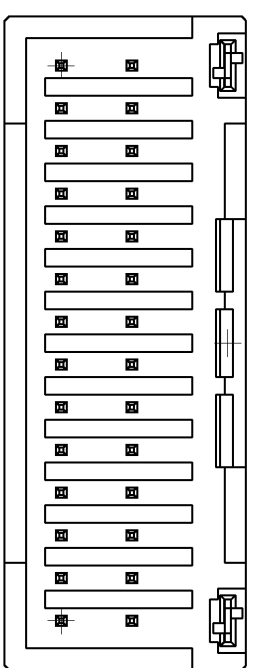
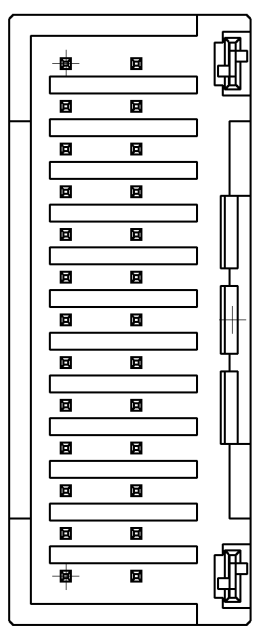
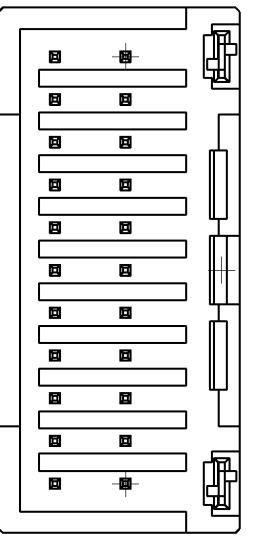
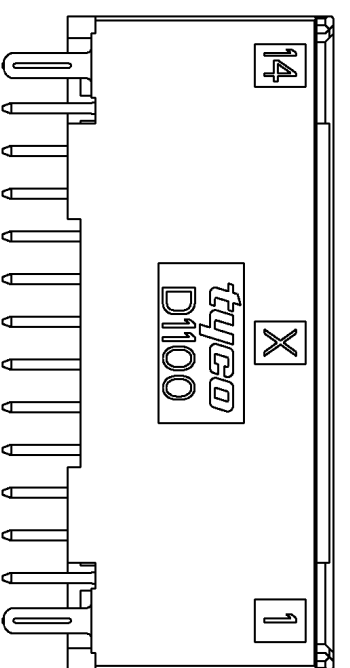
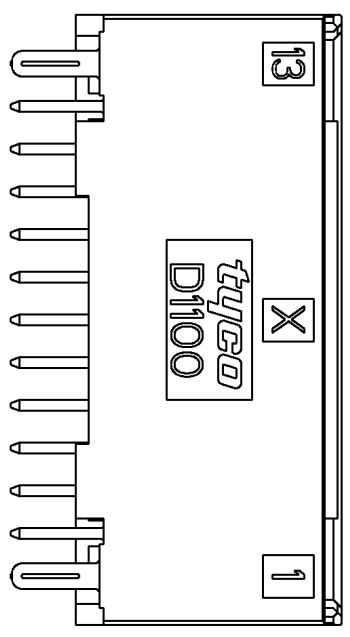
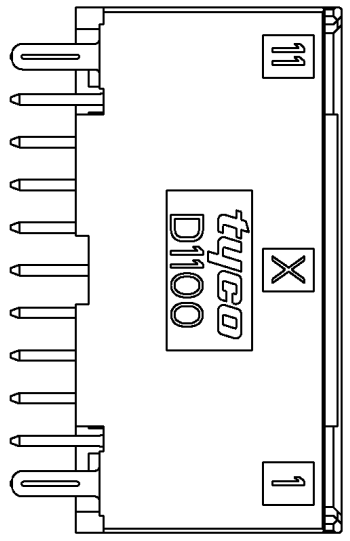
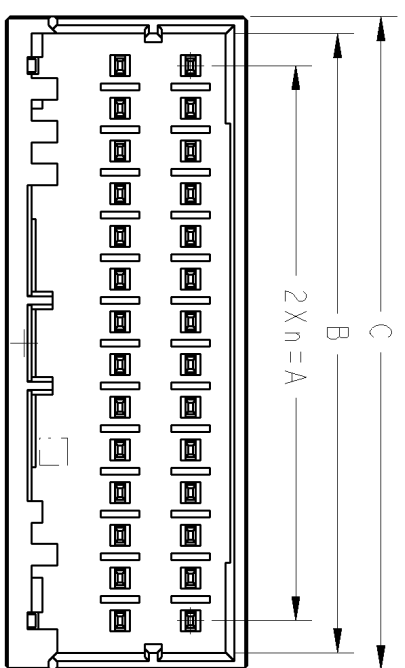
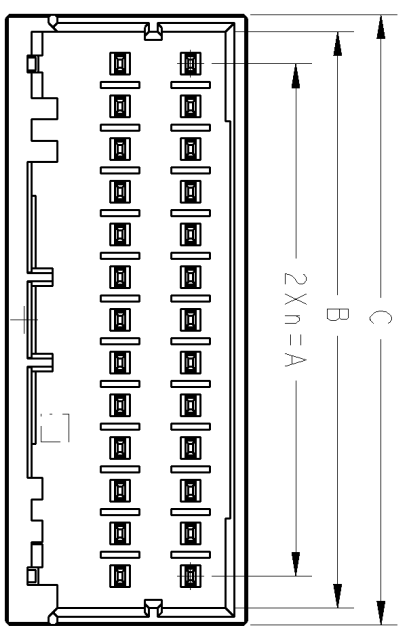
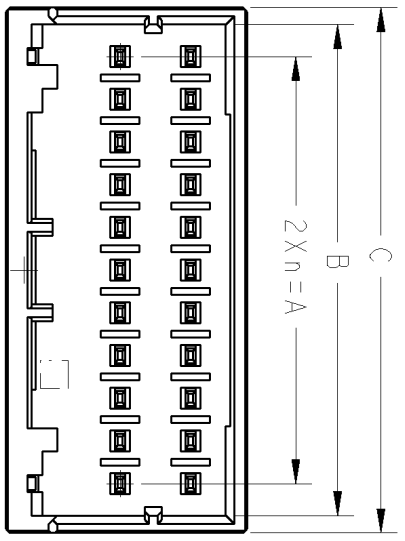
CUSTOMER DRAWING

tyco Electronics  
 Dynamic D1100D 2.0mm PITCH  
 HDR ASSY (V-TYPE)

SIZE: CAGE CODE 00779 DRAWING NO. 1827872

RESTRICTED TO

LOC	DIST	REV	DATE	APP'D
J	-	P	LTR	
DESCRIPTION			DATE	APP'D
SEE SHEET 1 OF 3				



22POS(X-KEY): 1-1827872-1

26POS(X-KEY): 1-1827872-3

28POS(X-KEY): 1-1827872-4

A

B

C

D

A

B

C

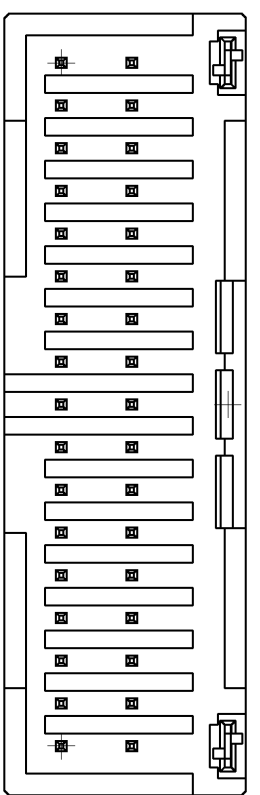
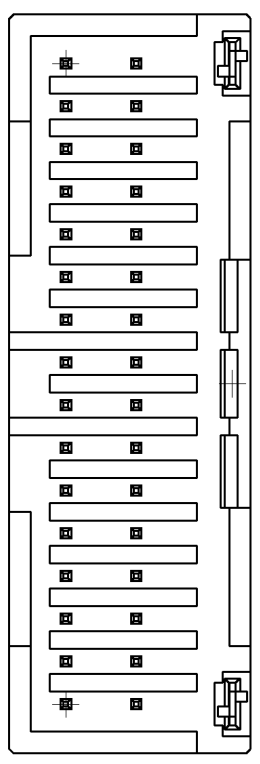
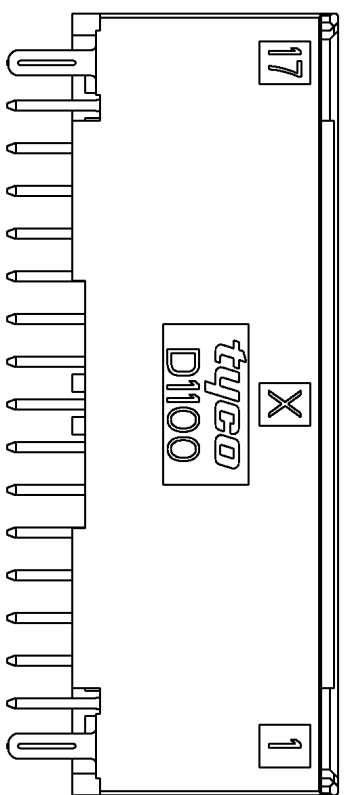
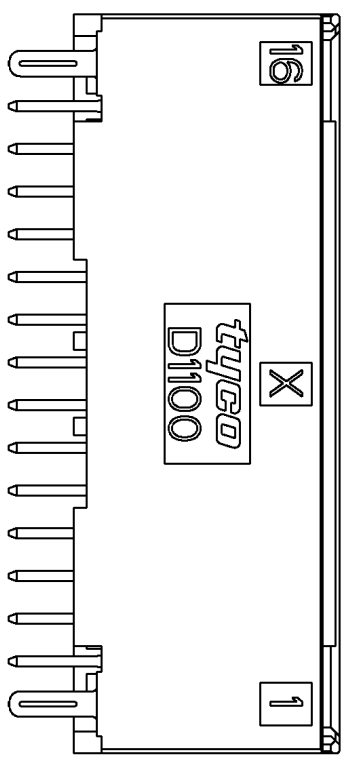
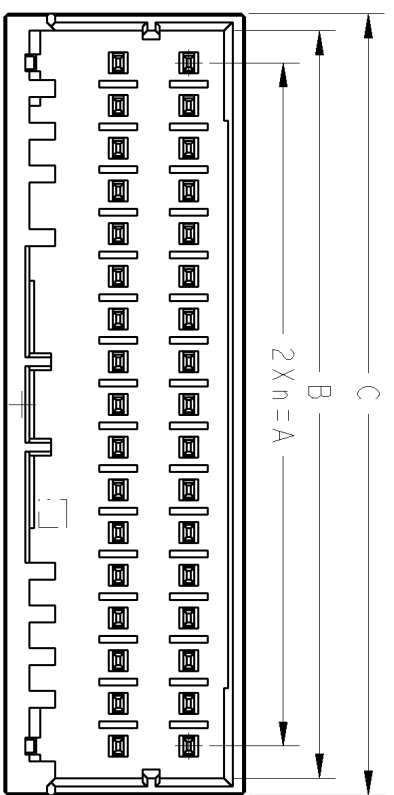
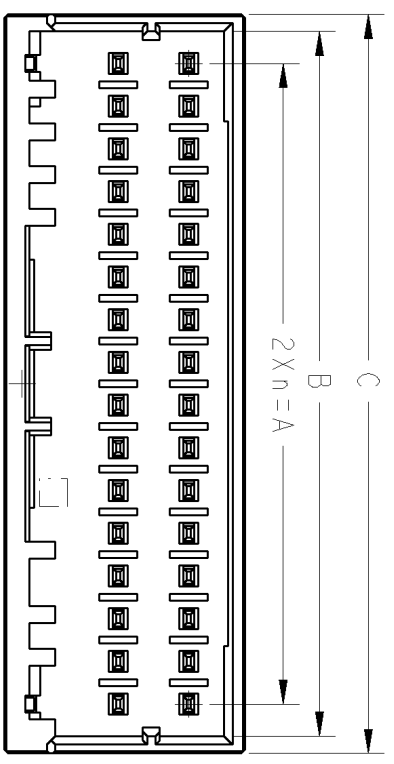
D

THIS DRAWING IS A COMPLETE DOCUMENT FOR TYCO ELECTRONICS CORPORATION. IT IS SUBJECT TO THE COMPANY'S POLICY ON THE RELEASE OF INFORMATION.

SEE SHEET 1 OF 3

DWN: T. KUDDO 16MAR2005  
 CHK: D. MITSUGI 23AUG2005  
 APP'D: D. MITSUGI 23AUG2005  
 PRODUCT SPEC: 108-78268  
 APPLICATION SPEC: 114-5377  
 WEIGHT: -  
 MATERIAL: -  
 DIMENSIONS: MM  
 DIMENSIONS: UNLESS OTHERWISE SPECIFIED:  
 2 PIC ±  
 3 PIC ±  
 4 PIC ±  
 ANGLES ±  
 FINISH ±

**tyco**  
**Electronics**  
 Tyco Electronics AMP K. K.  
 Kawasaki, Japan  
 DYNAMIC D1100D 2.0mmPITCH  
 HDR ASSY (V-TYPE)  
 22-40POS  
 SIZE: A2  
 CAGE CODE: 00779  
 DRAWING NO: 1827872  
 SCALE: 4:1  
 SHEET: 2 OF 3  
 REV: A1  
 RESTRICTED TO



32POS(X-KEY): I-1827872-6

34POS(X-KEY): I-1827872-7

LOC	DIST	REV	DESCRIPTION	DATE	BY	APP'D
J	-	P	SEE SHEET 1 OF 3			

THIS DRAWING IS A COMPLETE DOCUMENT FOR TYCO ELECTRONICS CORPORATION. IT IS SUBJECT TO THE COMPANY'S POLICY ON THE LATEST REVISION.

**SEE SHEET 1 OF 3**

DIM: I. KUDO 16MAR2005 CHK: D. MITSUGI 23AUG2005 APP'D: D. MITSUGI 23AUG2005 PRODUCT SPEC: 108-78268 APPLICATION SPEC: 11A-5377 WEIGHT: - CUSTOMER DRAWING: -	NAME: <b>tyco</b> Electronics Tyco Electronics AMP K.K. Kawasaki, Japan	NAME: DYNAMIC D1100D 2.0mmPITCH HDR ASSY (V-TYPE) 22-40POS SIZE: A2 CAGE CODE: 00779 DRAWING NO: 1827872 RESTRICTED TO: -
---	---	--

SCALE: 4:1 SHEET: 3 OF 3 REV: A1