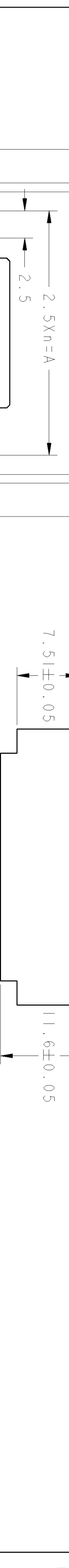


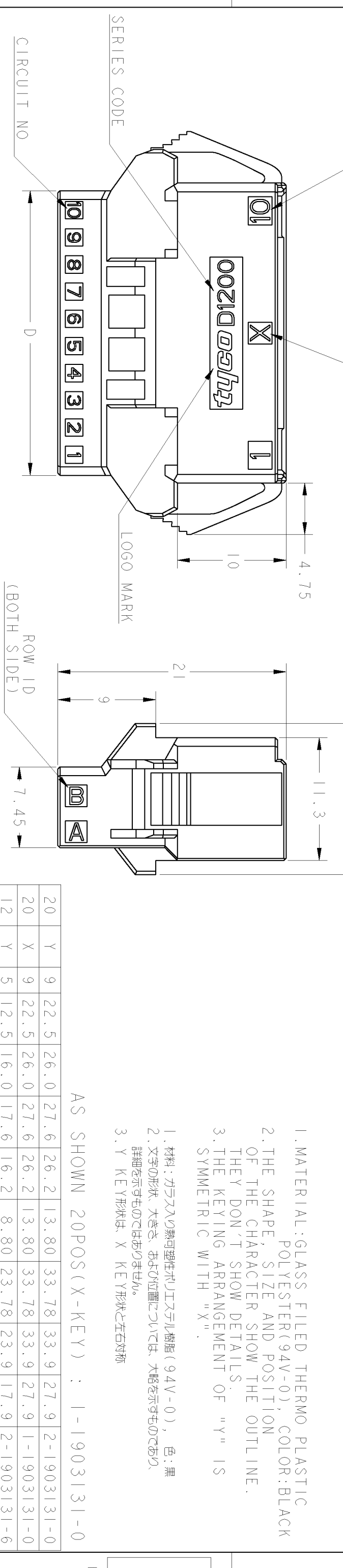
REV. NO.	DATE	BY	APP'D.
A	17AR2006	M.M.	D.M.
AI	ECR-07-009714	25AR2007	M.M. D.M.



RECOMMENDED PANEL LAYOUT (APPLICABLE PANEL THICKNESS : 0.8, 1.0, 1.6, 2.0)  
 /パネル加工推奨寸法図 (適用/パネル厚 : 0.8, 1.0, 1.6, 2.0)



20POS (X-KEY) : 1-1903131-0



AS SHOWN 20POS (X-KEY) : 1-1903131-0

POS	KEY	n	A	B	C	D	E	F	G	H	PART NO
20	Y	9	22.5	26.0	27.6	26.2	13.80	33.78	33.9	27.9	2-1903131-0
20	X	9	22.5	26.0	27.6	26.2	13.80	33.78	33.9	27.9	1-1903131-0
12	Y	5	12.5	16.0	17.6	16.2	8.80	23.78	23.9	17.9	2-1903131-6
12	X	5	12.5	16.0	17.6	16.2	8.80	23.78	23.9	17.9	1-1903131-6
8	Y	3	7.5	11.0	12.6	11.2	6.30	18.78	18.9	12.9	2-1903131-4
8	X	3	7.5	11.0	12.6	11.2	6.30	18.78	18.9	12.9	1-1903131-4
6	Y	2	5.0	8.5	10.1	8.7	5.05	16.28	16.4	10.4	2-1903131-3
6	X	2	5.0	8.5	10.1	8.7	5.05	16.28	16.4	10.4	1-1903131-3
4	X	1	2.5	6.0	7.6	6.2	3.80	13.78	13.9	7.9	1-1903131-2

1. 材料: ガラス入り熱可塑性ポリエステル樹脂 (94V-0), 色: 黒
2. 文字の形状、大きさ、および位置については、大略を示すものであり、詳細を示すものではありません。
3. Y KEY形状は、X KEY形状と左右対称

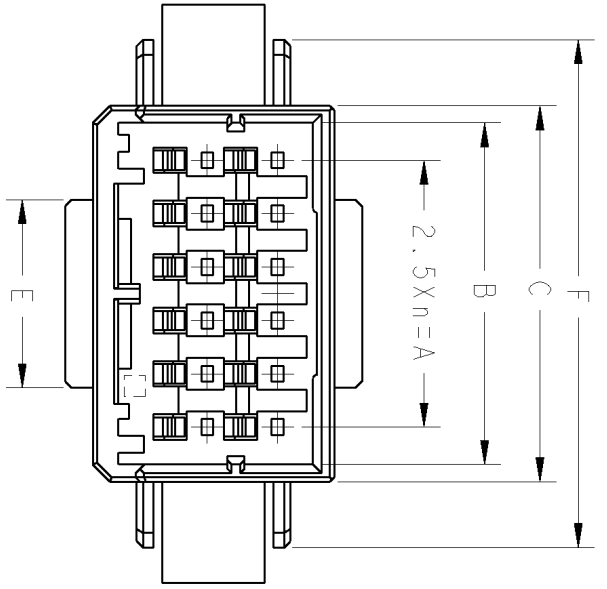
AMP 1471-9 REV 31MAR2000

tyco Electronics  
 Dynamic DI200D 2.5mm PITCH TAB HSG (PANEL MOUNT TYPE) 4-20POS

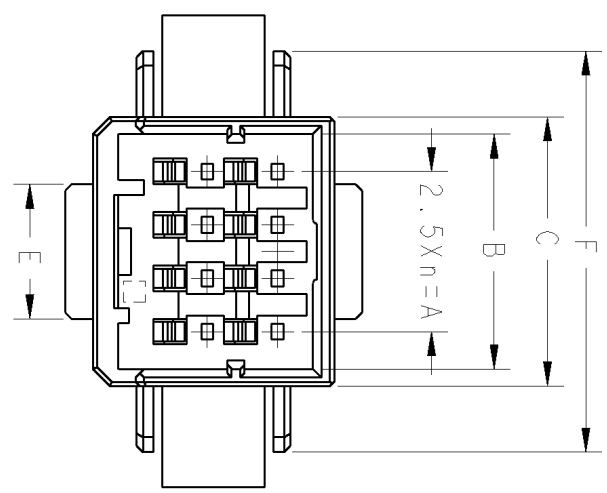
Customer Drawing: A200779, 1903131

Scale: 4:1, Sheet: 1 of 2, Rev: A

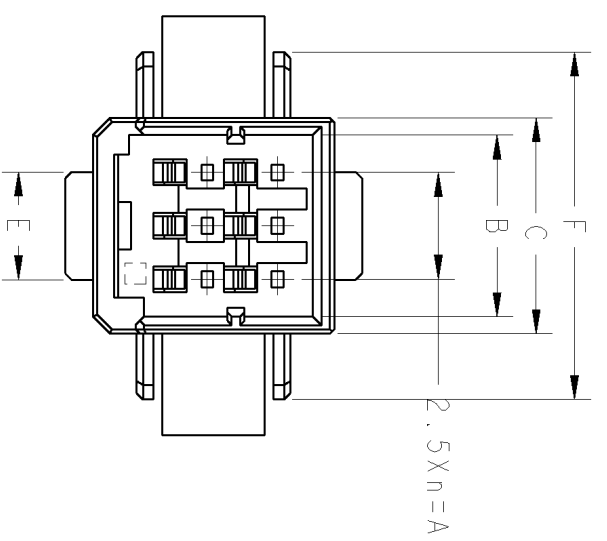
LOC	DIST	REV	DESCRIPTION	DATE	OWN	APP'D
J	-	P	SEE SHEET 1 OF 2			



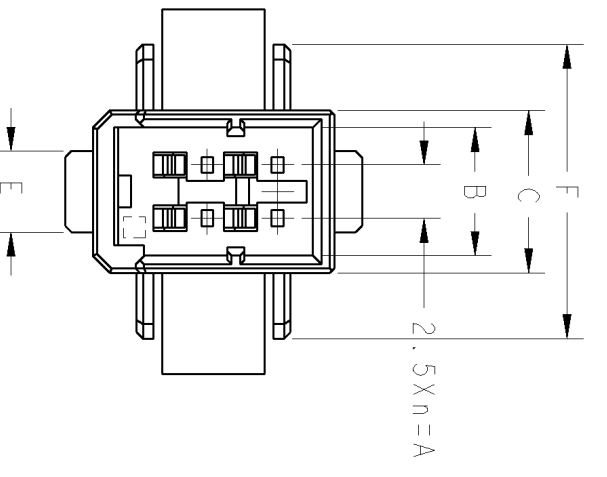
12POS(X-KEY): I-1903131-6



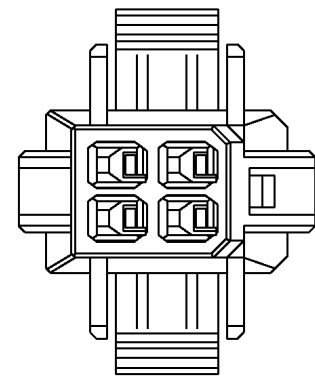
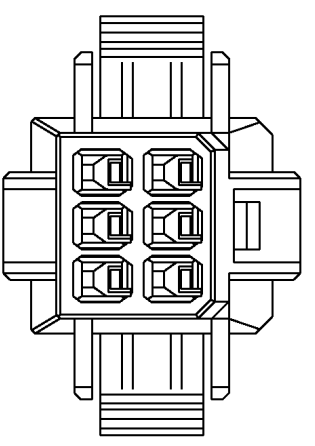
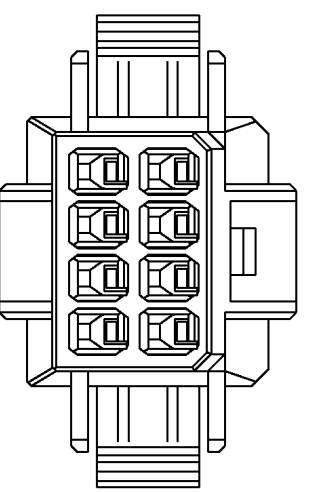
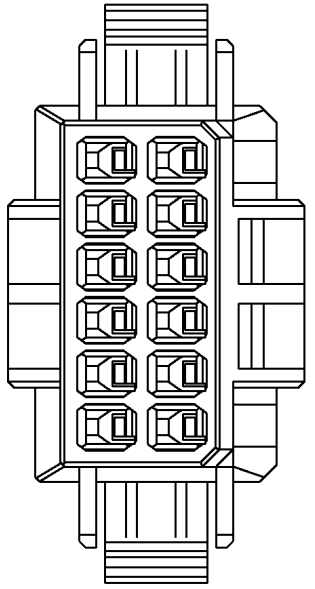
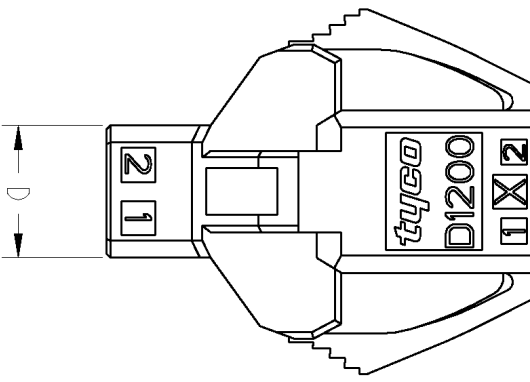
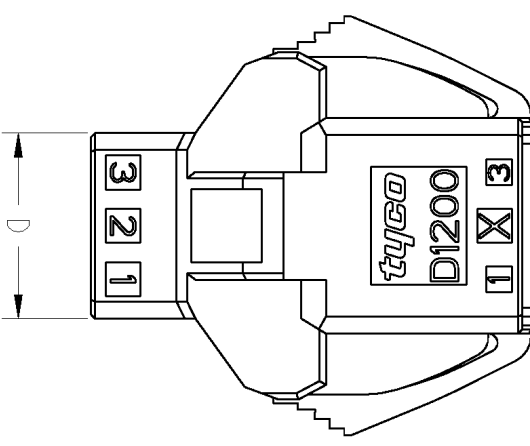
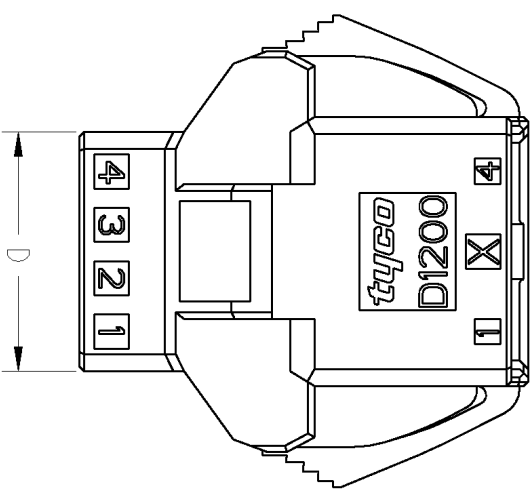
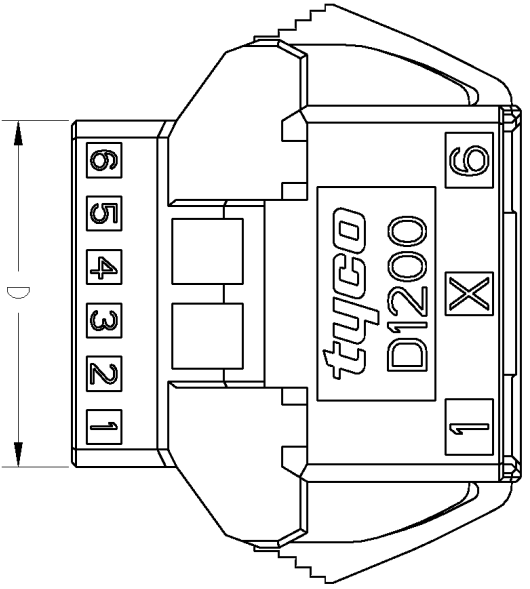
8POS(X-KEY): I-1903131-4



6POS(X-KEY): I-1903131-3



4POS(X-KEY): I-1903131-2



THIS DRAWING IS A COMPLETE DRAWING FOR TYCO ELECTRONICS CORPORATION. IT IS SUBJECT TO CHANGE WITHOUT NOTICE. ALL DIMENSIONS ARE IN MILLIMETERS UNLESS OTHERWISE SPECIFIED.

**tyco** Electronics  
Tyco Electronics AMP K.K.  
Kawasaki, Japan

NAME: DYNAMIC D1200D 2.5mm PITCH TAB HSG (PANEL MOUNT TYPE)  
4-20POS

SIZE: A2  
CAGE CODE: 200779  
DRAWING NO: C-1903131  
RESTRICTED TO

CUSTOMER DRAWING  
SCALE: 4:1  
SHEET: 2 OF 2  
REV: A1