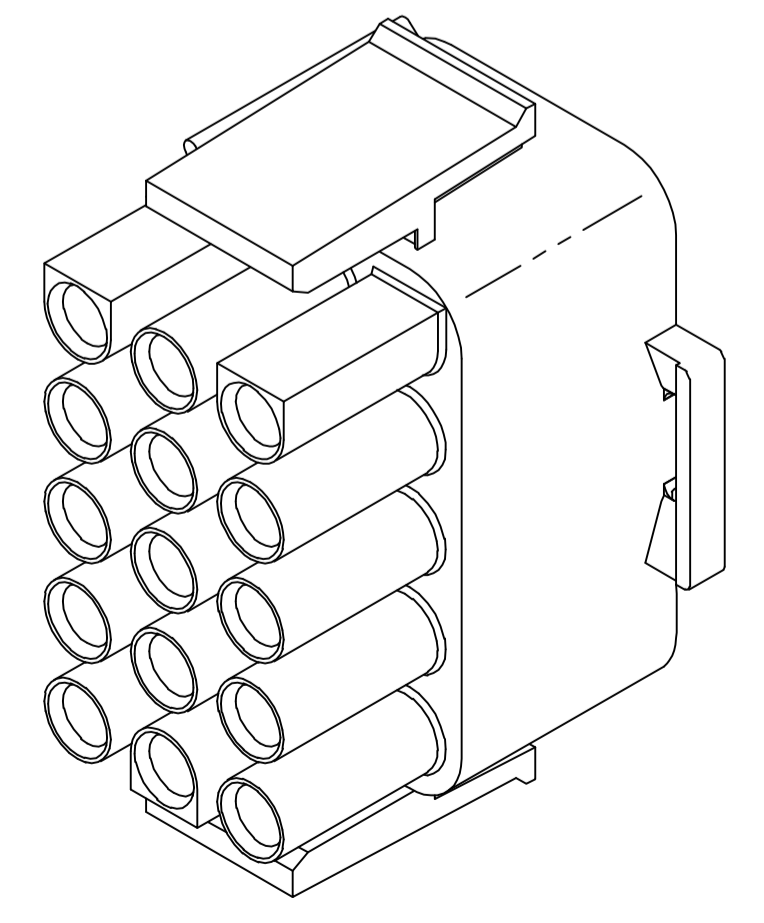
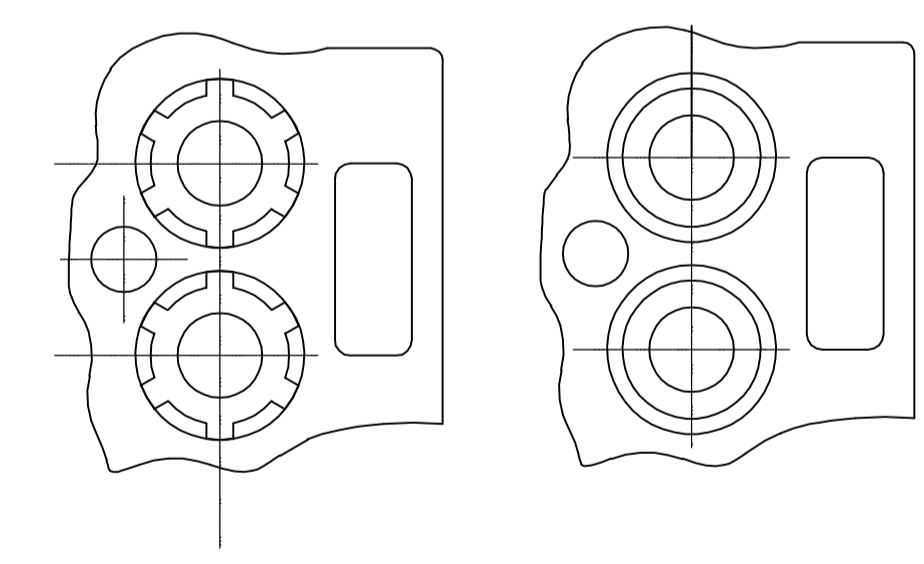
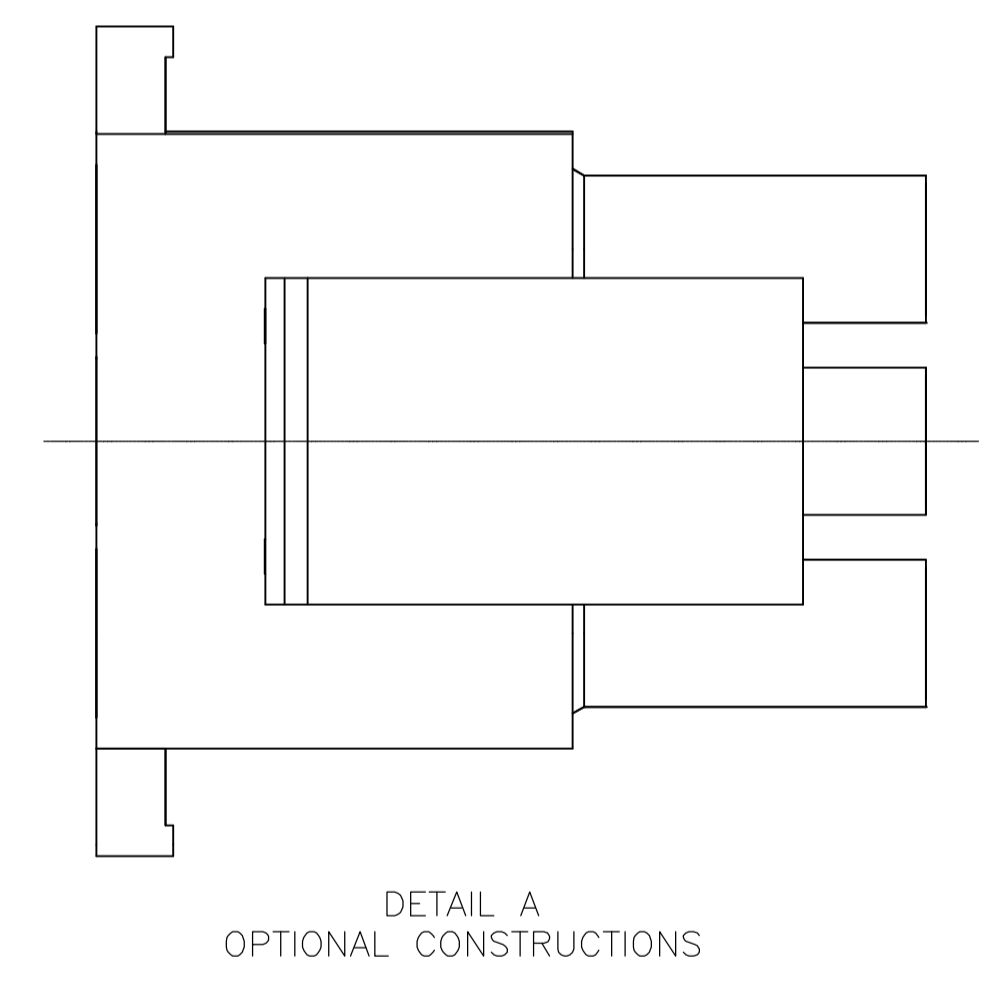


- MATES WITH APPROPRIATE UNIVERSAL MATE-N-LOK CAP OR HEADER.
 - SMALL NICKS ARE PERMITTED ON THE CIRCUIT TOWERS WHICH COULD INCREASE THE INITIAL HOUSING MATING FORCE BY UP TO 4.4 NEWTONS [1.0 LBS]. NO INDIVIDUAL NICKED TOWER SHALL INCREASE THIS FORCE BY OVER 2.2 NEWTONS [.5 LBS].
- △3 DIMENSION INDICATED IS AS MOLDED. ADDITIONAL GROWTH DUE TO SUBSEQUENT MOISTURE ABSORPTION MAY OCCUR.
- △4 FOUR RIBS EQUALLY SPACED, NO SPECIFIC ORIENTATION. NO RIBS OR SIX RIBS EQUALLY SPACED, NO SPECIFIC ORIENTATION, OPTIONAL.
- △5 UNDERWRITERS RECOGNIZED COMPONENT LOGO AND CSA CERTIFICATION LOGO TO BE LOCATED ONCE EACH ON SIDE OF HOUSING.

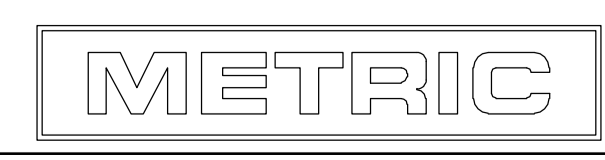


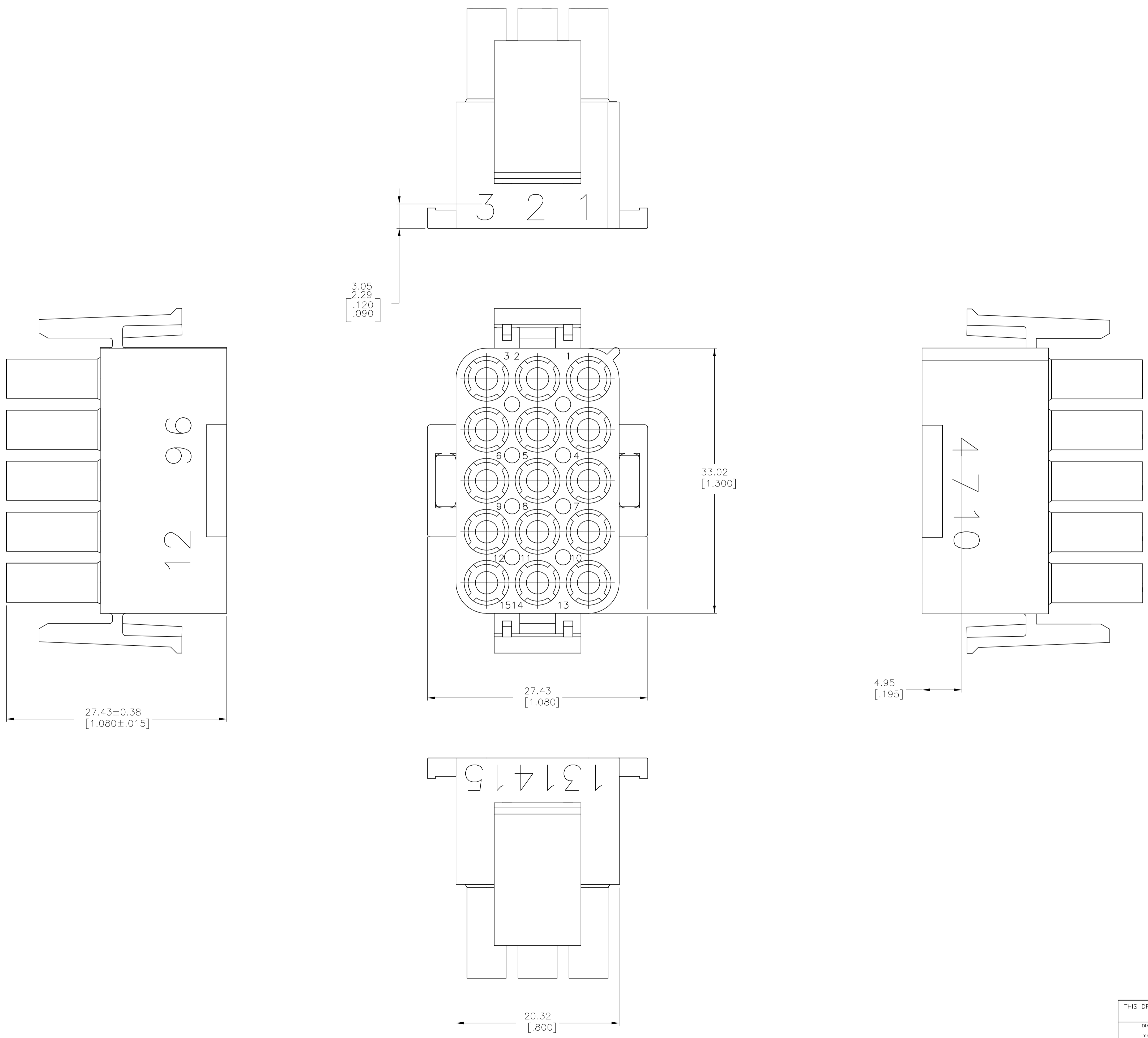
3-DIMENSIONAL MODEL
NTS

BLACK	1-480710-9
GRAY	1-480710-8
BLUE	1-480710-6
GREEN	1-480710-5
YELLOW	1-480710-4
ORANGE	1-480710-3
RED	1-480710-2
BROWN	1-480710-1
NATURAL	1-480710-0
COLOR	PART NUMBER

THIS DRAWING IS A CONTROLLED DOCUMENT.

DIMENSIONS: mm [INCHES]	TOLERANCES UNLESS OTHERWISE SPECIFIED:	DWN: K. WHITAKER 02SEP04	CHK: S. RIDGILL S. RIDGILL	APVD: S. RIDGILL	NAME: S. RIDGILL	TYCO Electronics	Tyco Electronics Corporation Harrisburg, Pa 17105-3608
0 PLC ± -	1 PLC ± -	2 PLC ± -	3 PLC ± 0.13 [.005]	4 PLC ± -	ANGLES ± 0.30°	FINISH -	SIZE: A1
MATERIAL: NYLON, UL 94V-2	WEIGHT: -	SCALE: 4:1	DRAWING NO: 00779	CAGE CODE: -	DRAWING NO: 480710	RESTRICTED TO: -	SHEET 1 OF 2
CUSTOMER DRAWING			REV: AM				





1. STAMP NUMBERS 3.18 HIGH AT WIRE END OF HOUSING (12 POINT DAVID TYPE).
2. CHARACTERS TO BE POSITIONED ON HOUSING TO BE READ FROM WIRE END ONLY.
3. VIOLET,BLACK,BROWN,AND BLUE COLORED BLOCKS TO BE STAMPED WITH WHITE CHARACTERS. ALL OTHER COLORED BLOCKS TO BE STAMPED WITH BLACK CHARACTERS.

NATURAL	2-480710-0
COLOR	PART NUMBER

THIS DRAWING IS A CONTROLLED DOCUMENT.		DWN K. WHITAKER	02SEP04	tyco Electronics	Tyco Electronics Corporation Harrisburg, Pa 17105-3608	
DIMENSIONS: mm [INCHES]		CHK S. RIDGILL	S. RIDGILL		NAME	PLUG, 15 CIRCUIT, UNIVERSAL MATE-N-LOK
TOLERANCES UNLESS OTHERWISE SPECIFIED:		APVD S. RIDGILL		PRODUCT SPEC	APPLICATION SPEC	
0 PLC ± -		1 PLC ± -		SIZE		
2 PLC ± 0.13 [.005]		3 PLC ± -		CAGE CODE		
4 PLC ± -		ANGLES ± 0.30°		DRAWING NO		
FINISH -		MATERIAL NYLON, UL 94V-2		RESTRICTED TO		
CUSTOMER DRAWING				SCALE	4:1	SHEET
				WEIGHT	-	2
				SIZE	A1	2
				DRAWING NO	00779	2
				REV	AM	2
				C=	480710	2