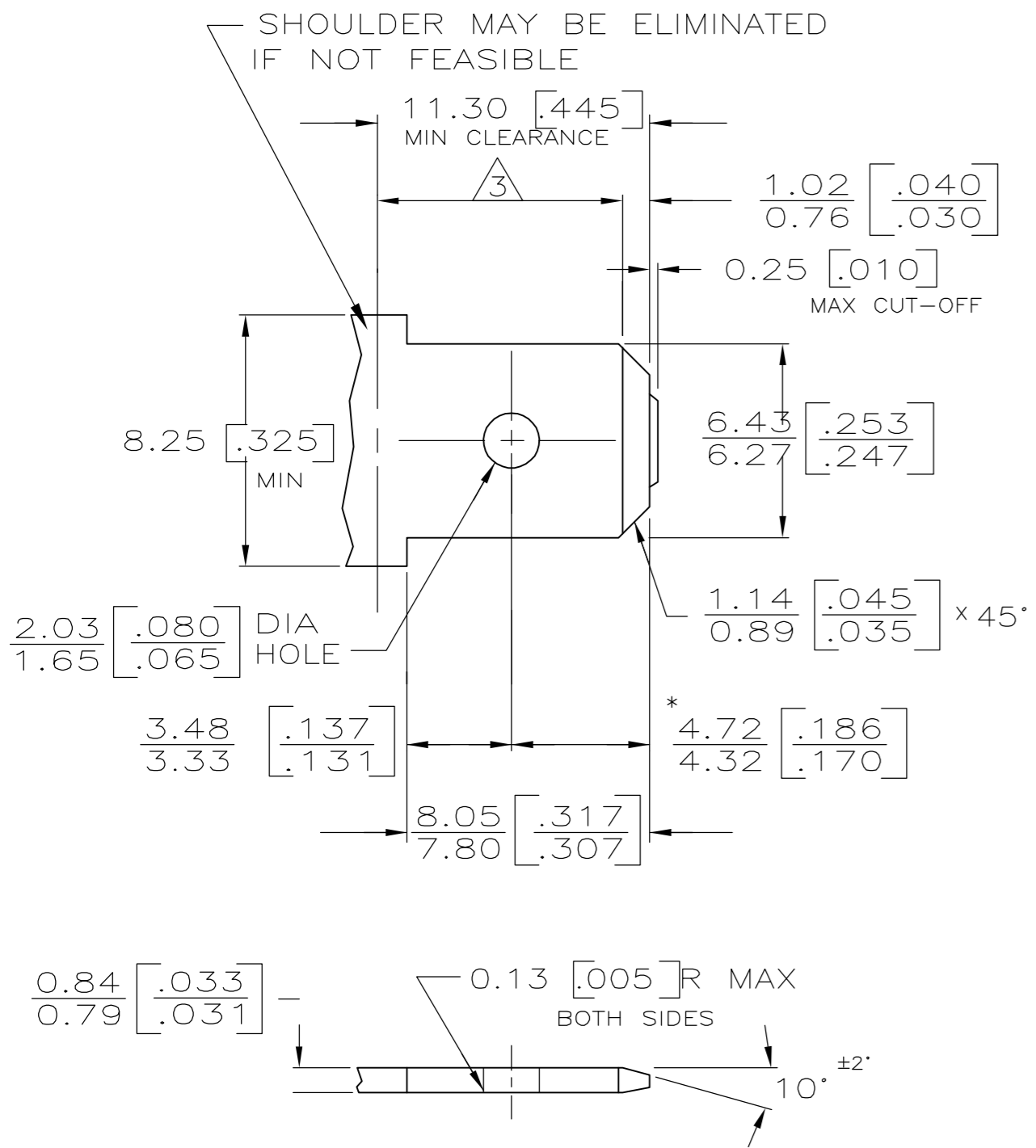


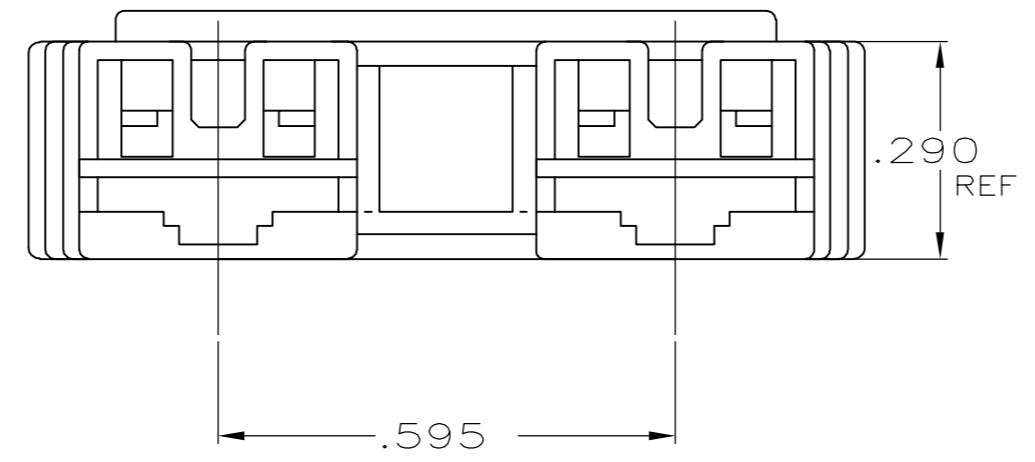
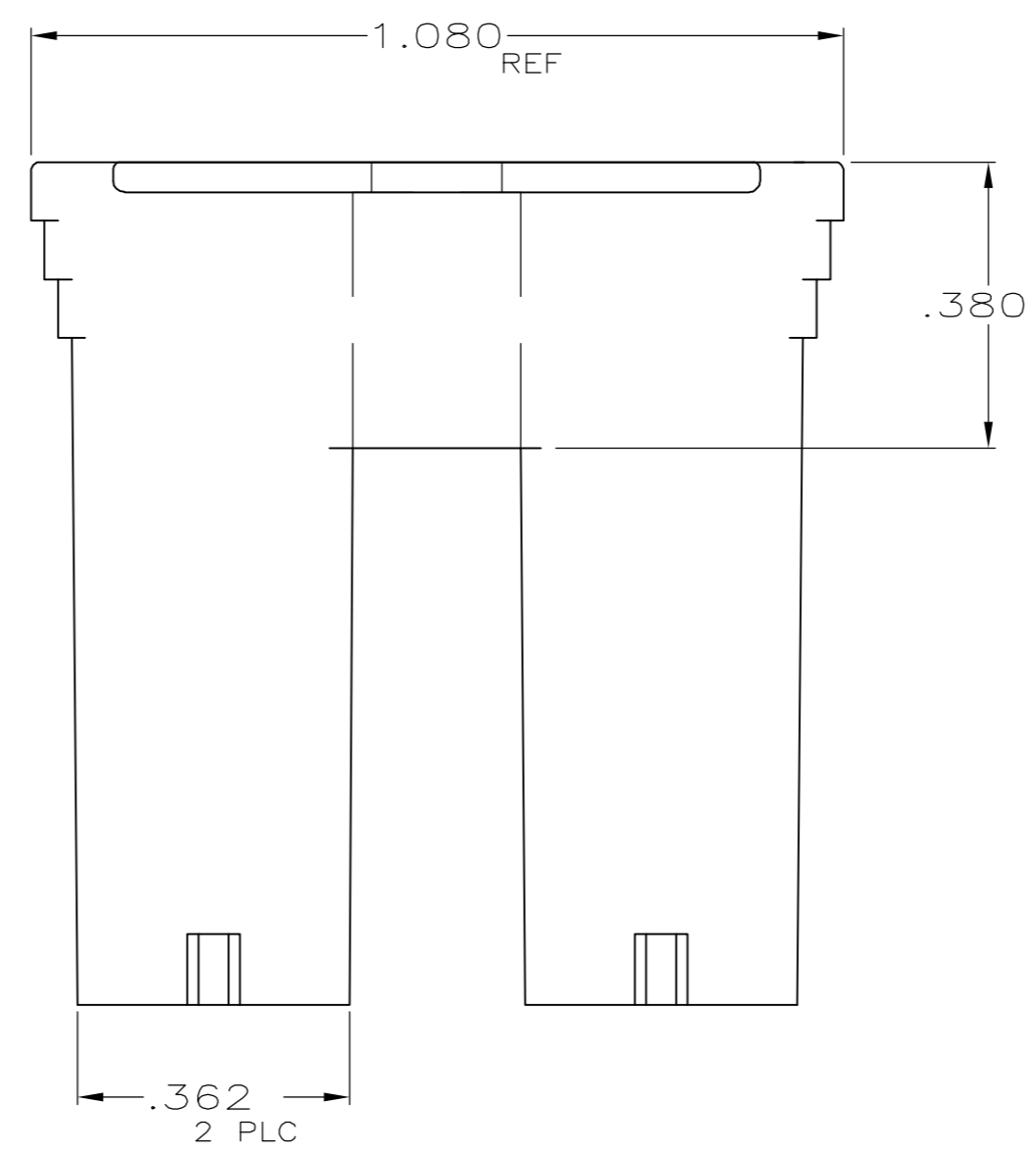
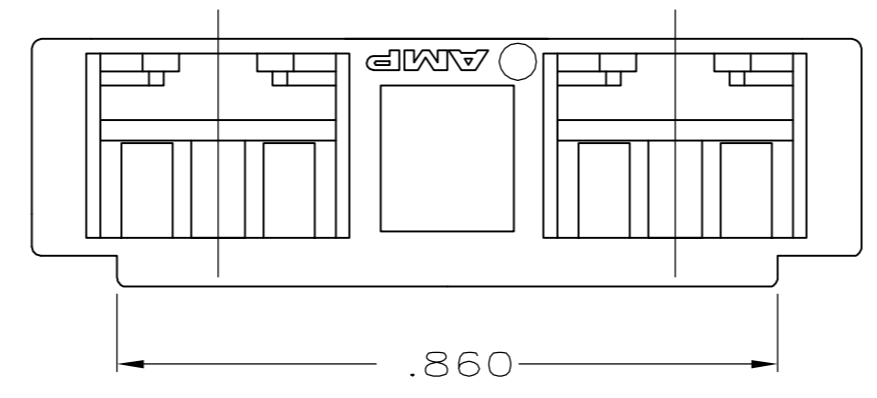
THIS DRAWING IS UNPUBLISHED. RELEASED FOR PUBLICATION  
 © COPYRIGHT BY TYCO ELECTRONICS CORPORATION. ALL RIGHTS RESERVED.

LOC		DIST		REVISIONS			
P	LTR	DESCRIPTION	DATE	DWN	APVD		
	P2	REV PER ECR-06-003336	07MAR06	HMR	EH		

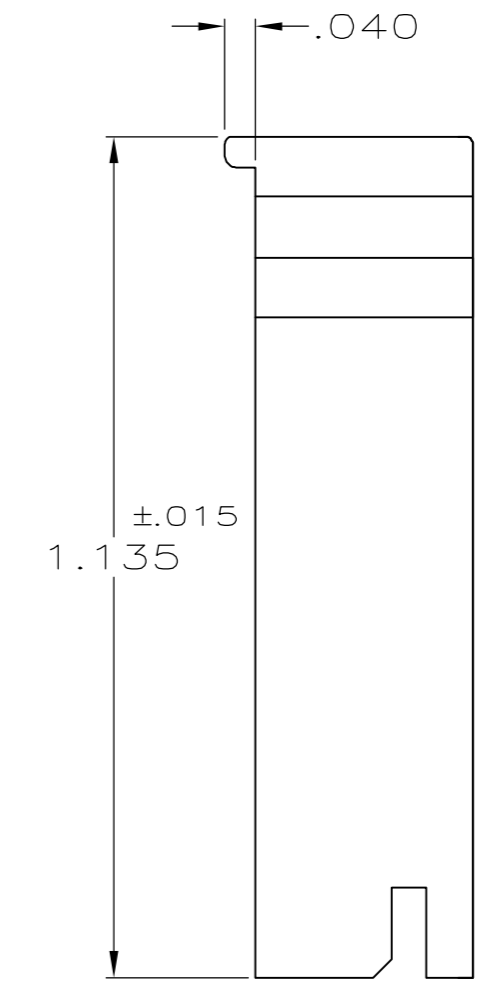
# SUGGESTED MATING TAB



- 1 - MATL: 1/2H BRASS OR NICKEL PL STEEL.
  - 2 - NO BURRS PERMISSIBLE AT HOLE.
  - 3 - MUST BE FLAT WITHIN 0.076 [0.003] OVER THIS LENGTH.
  - 4 - TIN PLATING IS REQUIRED ON BRASS WHEN TERMINAL TEMP. IS OVER 225° F.
  - 5 - HOLE MUST BE SYMMETRICAL ABOUT TAB Q WITHIN 0.076 [0.003]
- \* TO BE USED ONLY WHEN SHOULDER IS ELIMINATED.



- 1 FOR USE WITH MKII POSITIVE LOCK, LOW INSERTION FORCE FASTON RECEPTACLES AND MOST BUDGET FASTON RECEPTACLES.
- 2 PRELIMINARY - NOT FOR PRODUCTION
- 3 PREPRODUCTION - FASR REQUIRED



COLOR	PART NO
V0 GREEN	2 1-520935-9
V0 BLACK	3 1-520935-8
V0 BROWN	2 1-520935-7
V0 YELLOW	3 1-520935-6
V0 BLUE	1-520935-5
V0 RED	1-520935-2
V0 NATURAL	1-520935-1
BLACK	2 520935-8
BROWN	520935-7
YELLOW	520935-6
BLUE	520935-5
GREEN	520935-4
WEATHER RESIST BLACK	520935-3
RED	520935-2
NATURAL	520935-1

THIS DRAWING IS A CONTROLLED DOCUMENT.

DIMENSIONS: INCHES	TOLERANCES UNLESS OTHERWISE SPECIFIED:	DWN JR RUTH 4/14/88	Tyco Electronics Corporation Harrisburg, PA 17105-3608
	0 PLC ± -	CHK M FEHER 4/14/88	
	1 PLC ± -	APVD R KUZO 4/14/88	
	2 PLC ± -	PRODUCT SPEC	
MATERIAL 6/6 NYLON	FINISH SEE TABLE	APPL. SPEC	NAME HOUSING, RECPT, POSITIVE-LOCK & STANDARD FASTON, .250 SERIES, MKII SIZE A2 CAGE CODE 00779 DRAWING NO C=520935 RESTRICTED TO - WEIGHT - SCALE 4:1 SHEET 1 of 1 REV P2

CUSTOMER DRAWING