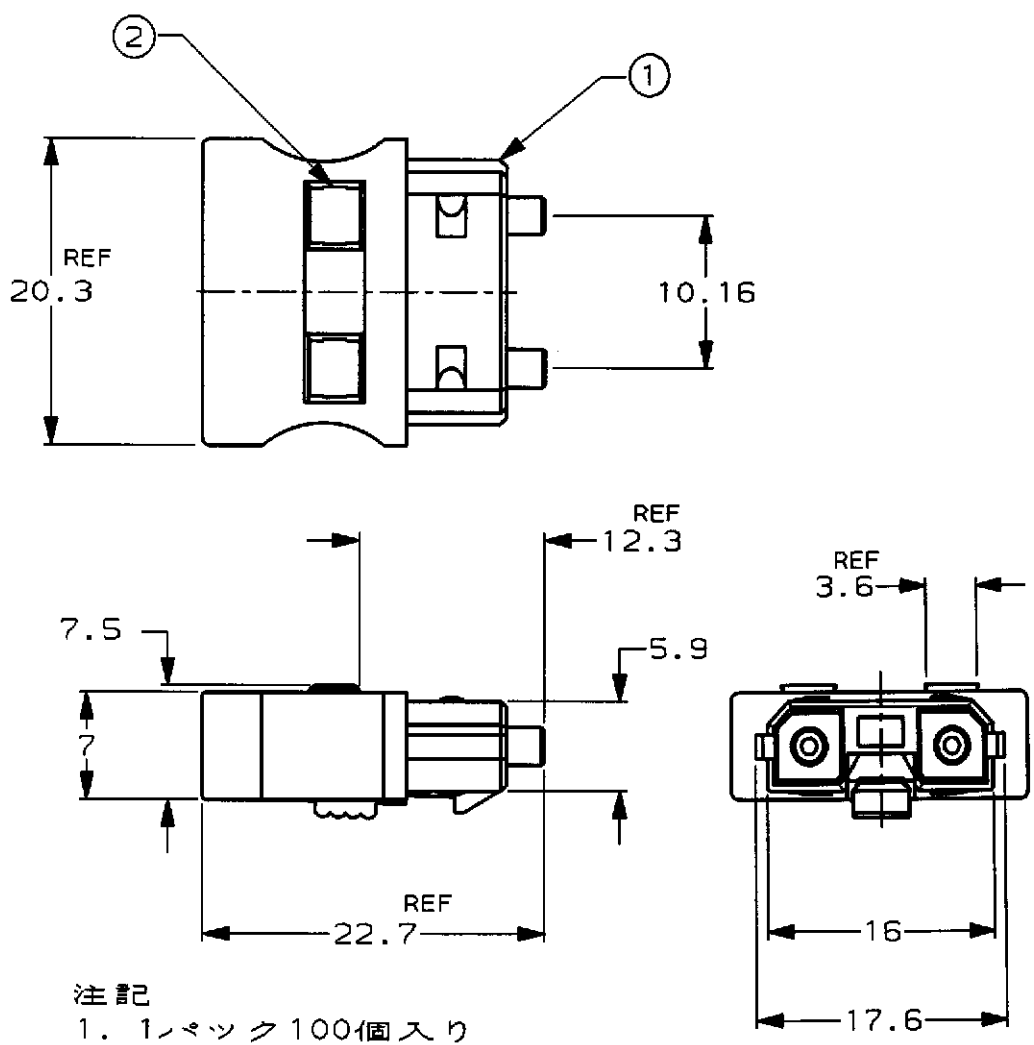


LOC	DIST	REVISONS						
		P	LTR	DESCRIPTION	ECN	DATE	DWN	APVD
J	-		0	RELEASED	FJ00 - 1342 - 97	17-OCT'97	NS	7/7



注記
1. 1パック100個入り

NOTE
1. BULK PACKAGE 100 PIECES.

QTY REQD PER ASSY	数量	PARTS LIST	部品リスト
2		RETAINER	リテーナ ②
1		PLUG HSG	ハウジング ①
-1		NAME	名称 NO. 番号

THIS DRAWING IS UNPUBLISHED. BY AMP INCORPORATED. ALL RIGHTS RESERVED. COPYRIGHT 19

DIMENSIONS 単位 規 mm	DWN N. SUDO	17-OCT'97	MATERIAL	FINISH
	CHK <i>Ken 7/24</i>	24-OCT'97	材料	仕上
TOLERANCES UNLESS OTHERWISE SPECIFIED. 一般公差 10 μm : ±0.2 30 μm : ±0.25 100 μm : ±0.3 ANGLE : ±0.3°	APVD <i>Ken 7/24</i>	24-OCT'97	AMP 日本エー・エム・ピー株式会社 Kawasaki, Japan	
	PRODUCT SPEC 製品規格 108-5596	NAME 名称 AMP OPTIMATE PN CONNECTOR		
APPLICATION SPEC 取付適用規格 114-5247	SIZE	CAGE CODE	DRAWING NO 番号	
WEIGHT 2.7g	A4	00779	C=1123445	
CUSTOMER DRAWING	SCALE 尺度 2-1		SHEET 1	OF 1 REV 0

- [Home](#)
- [Part Number Search](#)
- [Text Search](#)
- [Alternate Part Search](#)
- [Multiple Part Comparison](#)
- [Alphabetical Search](#)
- [Brand Search](#)
- [Industry Product Search](#)
- [Product Type Search](#)
- [Product Family Search](#)
- [Competitor Cross Reference](#)
- [Document Number Search](#)
- [Lead Free Solutions](#)
- [Help/Glossary](#)

Current Brand View	View All Tyco Electronics Brands
AMP	Click to activate links to all other products

Fiber Optic Products

Plastic Fiber Components

AMP **1123445-1** -- 8 of 8 products **Active** [Active](#)

(Tyco Electronics P/N: 1123445-1)

Previous	Sales Information	AMP ACES	Step Search Screen
		Related Documents	General Information
		Pricing	Product Availability

Please use the customer drawing for all design activity.

- **Customer Drawing: 1123445, Rev. O**
 Document Title: AMP OPTIMATE PN CONNECTOR
[215702.pdf](#) [215702.pdf](#) (23K)

The photographs and/or line drawings below are representative images of a product for viewing purposes only.

[Product Photo](#)

Searchable Features:

Brand:	AMP
Product Type:	Connector
Connector Type:	PN [JIS FO7 Modified]
No. of Positions:	Dual
Gender:	Plug
Fiber Size (Micron):	1000
Jacket Outer Diameter (mm [in]):	2.20 [.087]

Other Properties:

Color:	Black
Housing Material:	Glass-Filled Thermoplastic Polyester
Ferrule Material:	Copper alloy
Ferrule Plating:	Tin

[Copyright](#) and [Privacy Statement](#)

Visit [Tyco International, Ltd.](#)

[Products](#) | [Brands](#) | [Industries](#) | [Customer Service](#) | [About](#) | [Home](#)