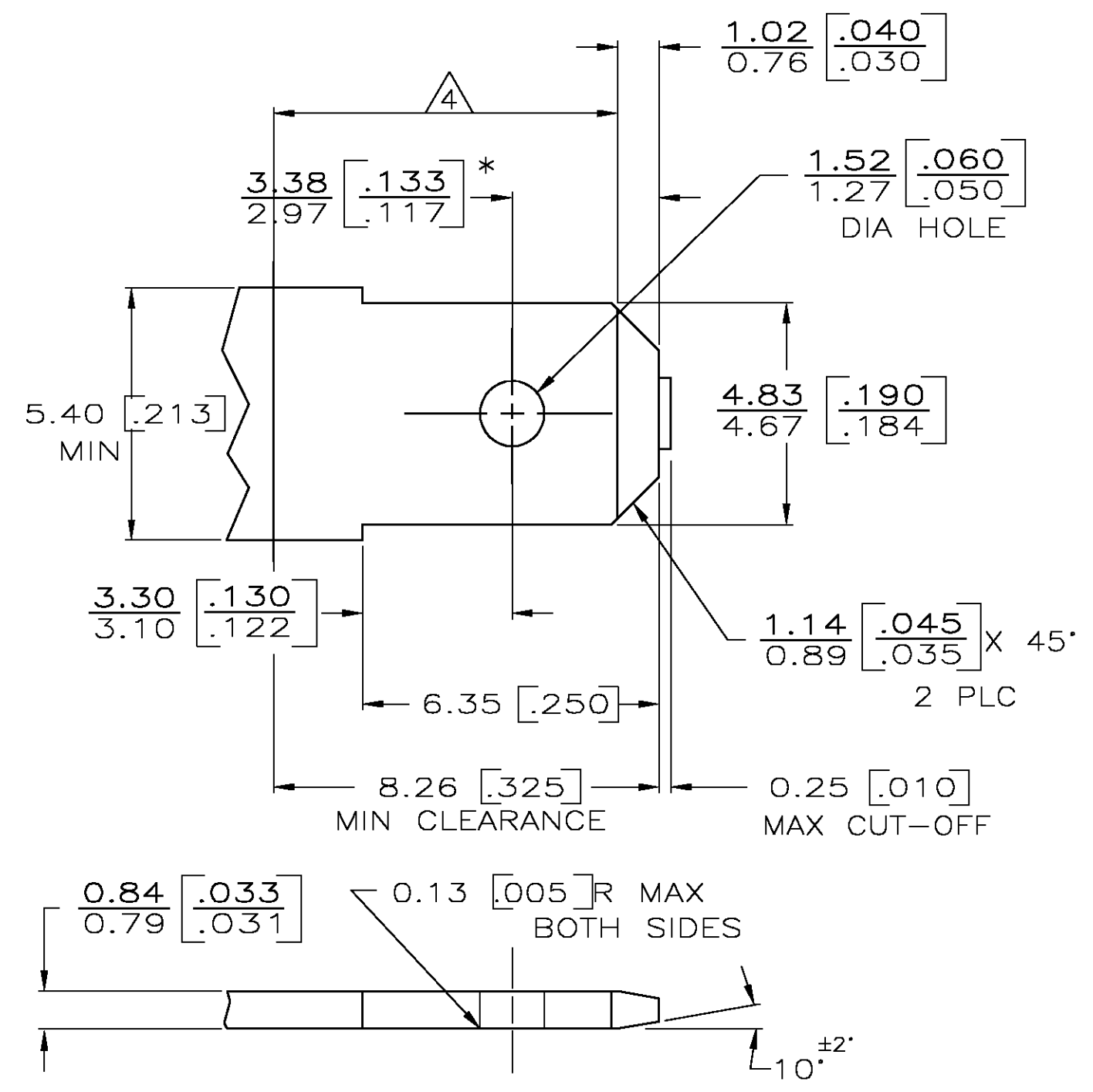


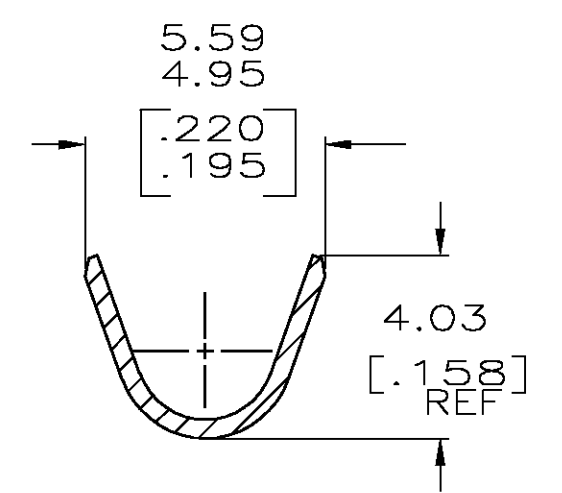
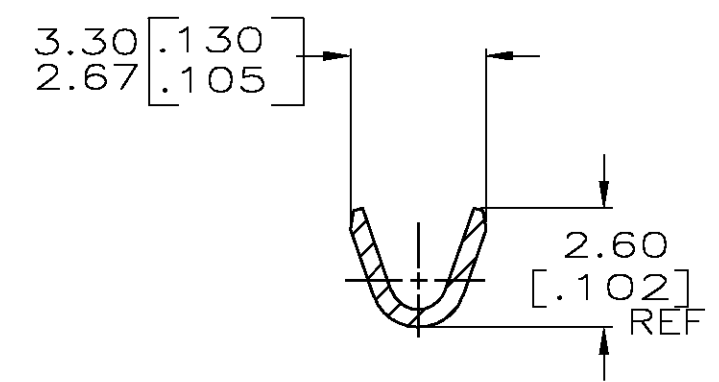
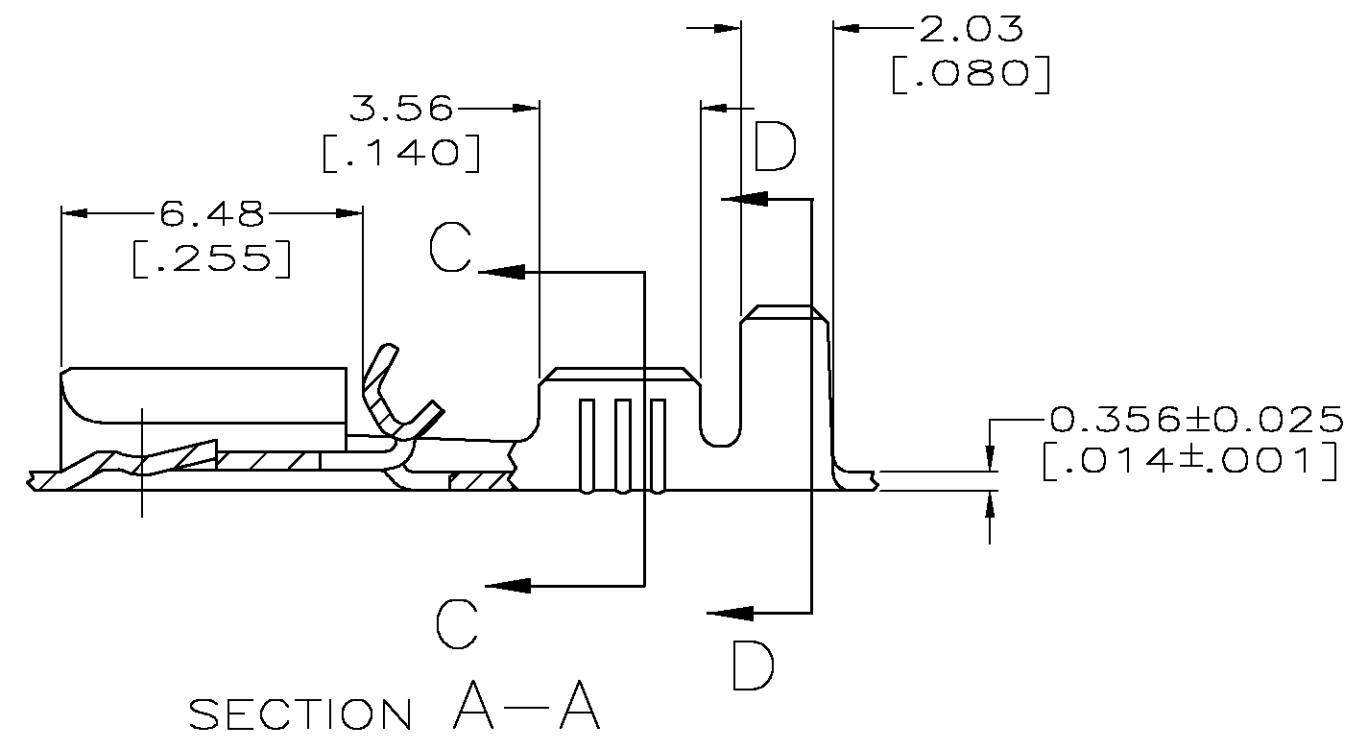
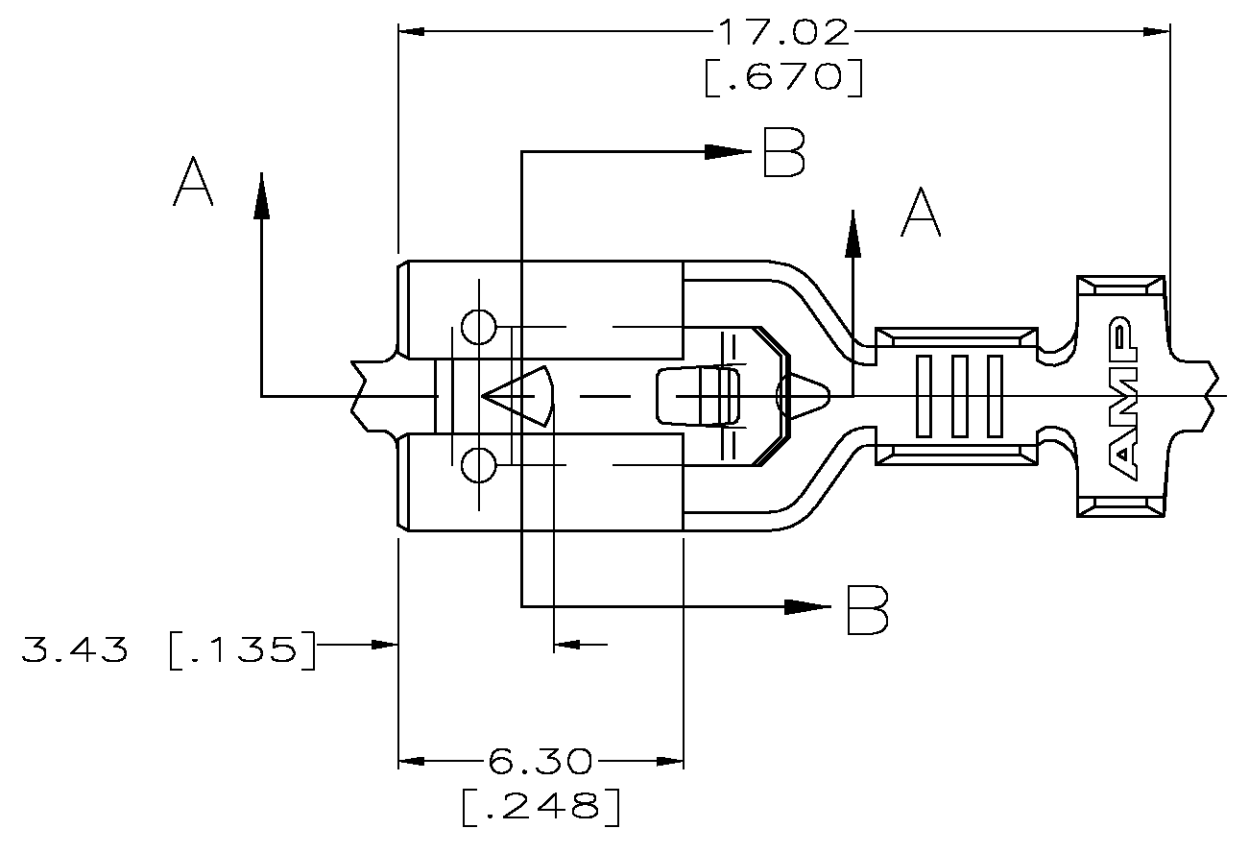
THIS DRAWING IS UNPUBLISHED. RELEASED FOR PUBLICATION  
 © COPYRIGHT BY TYCO ELECTRONICS CORPORATION. ALL RIGHTS RESERVED.

LOC		DIST		REVISIONS			
P	LTR	DESCRIPTION	DATE	DWN	APVD		
AF	50	D	REV PER 0G3A-0196-04	30JUN04	JR	KY	

SUGGESTED MATING TAB



- MATL: #2 HARD BRASS OR NICKEL PLATE STEEL.
  - NO BURRS PERMISSIBLE AT HOLE.
  - TIN PLATING IS REQUIRED ON BRASS WHEN TERMINAL TEMPERATURE IS OVER 225° F.
  - MUST BE FLAT WITHIN 0.076 [.003] OVER THIS LENGTH.
  - HOLE MUST BE SYMMETRICAL ABOUT TAB  $\downarrow$  WITHIN 0.076 [.003].
- \* TO BE USED ONLY WHEN SHOULDER IS ELIMINATED.



- CONTINUOUS STRIP ON REELS.
- ACCEPTS #22-#18 SINGLE WIRE SIZES, WIRE CRIMP IS 2.03 [.080], F TYPE.
- FITS INSULATION RANGE 2.29-3.30 [.090-.130] DIA, INSULATION CRIMP IS 3.94 [.155] F TYPE.

0.002032 [.000080] MIN TIN	1217097-2
-	1217097-1
FINISH	PART NO.

THIS DRAWING IS A CONTROLLED DOCUMENT.		DWN	JR RUTH	6/26/98	 Tyco Electronics Corporation Harrisburg, Pa 17105-3608							
DIMENSIONS:		CHK	MS FEHER	6/26/98								
mm [INCHES]		APVD	E HOWARD	6/26/98								
TOLERANCES UNLESS OTHERWISE SPECIFIED:		PRODUCT SPEC										
0 PLC ± - 1 PLC ± - 2 PLC ± 0.25 [.010] 3 PLC ± - 4 PLC ± - ANGLES ± - FINISH SEE TABLE		APPLICATION SPEC			NAME	RECEPTACLE, POSITIVE-LOCK, MARK III, 4.75 [.187] SERIES						
MATERIAL	H06 BRASS	WEIGHT	-		SIZE	A2	CAGE CODE	00779	DRAWING NO	C=1217097	RESTRICTED TO	-
CUSTOMER DRAWING		SCALE	6:1	SHEET	1	OF	1	REV	D			

1217097