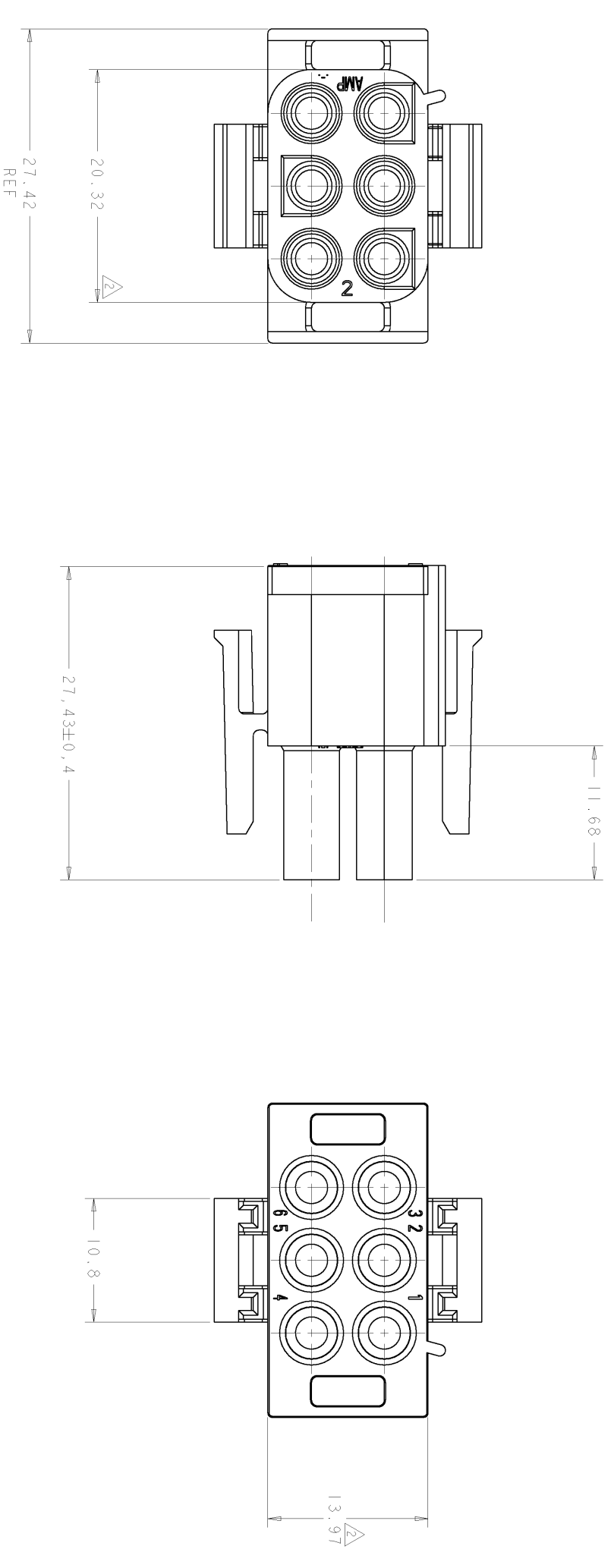
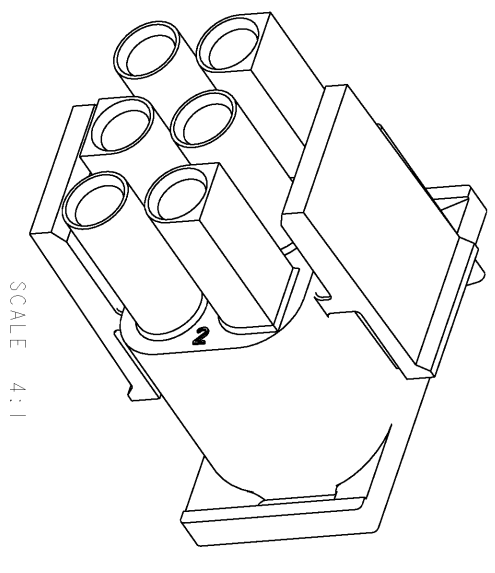


REV	DATE	BY	CHK	APP
A1	20JAN2007	JL	LB	
A2	20JAN2007	JL	LB	



1. SMALL NICKS ARE PERMITTED ON THE CIRCUIT TOWERS WHICH COULD INCREASE THE INITIAL HOUSING MATING FORCE UP TO 4.4 NEWTONS (1.0 LBS). NO INDIVIDUAL NICKED TOWER SHALL INCREASE THIS FORCE BY OVER 2.2 NEWTONS (.5 LBS)

△ DIMENSION INDICATED IS AS MOLDED. ADDITIONAL GROWTH DUE TO SUBSEQUENT MOISTURE ABSORPTION MAY OCCUR



SCALE 4:1

DIMENSIONS		TOLERANCES UNLESS OTHERWISE SPECIFIED	
MM		1 P.C.	±.2
		2 P.C.	±.3
		3 P.C.	±.4
		4 P.C.	±.5
FINISH			
MATERIAL		PA6 V2 GWI 750°C WITHOUT FLAME	
COLOUR		NATURAL	
PN		1644055-1	
DATE		16JAN2007	
DRAWN BY		MIGUELBAZ	
CHECKED BY		SAIO	
PRODUCT SPEC		PLUG - 6 CIRCUIT	
APPLICATION SPEC		UNIVERSAL MATE-N-LOK (TM)	
WEIGHT		SIZE CODE DRAWING NO	
CUSTOMER DRAWING		A100779	
SCALE		4:1	
SHEET		1 OF 1	
REV		A2	