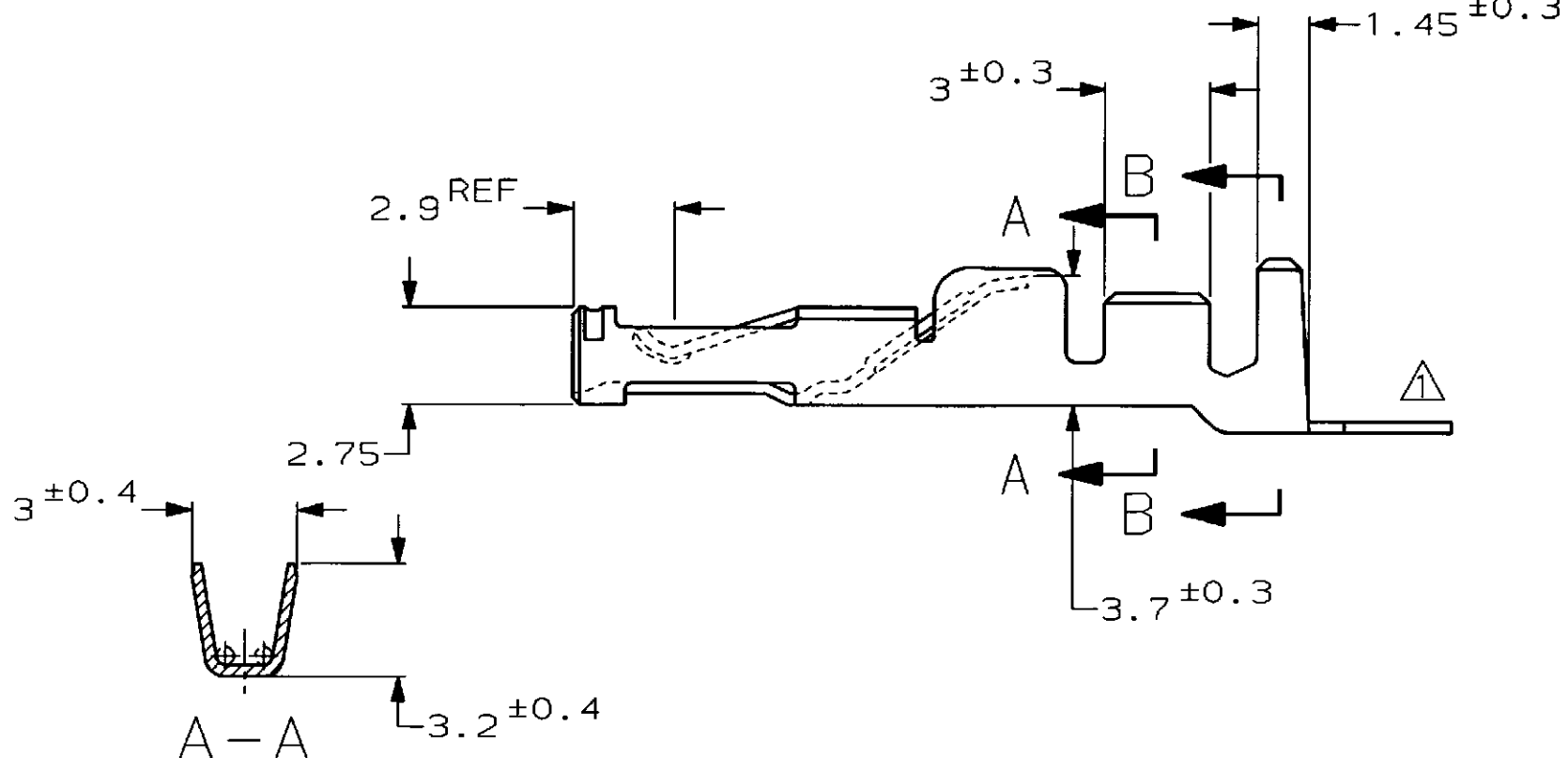
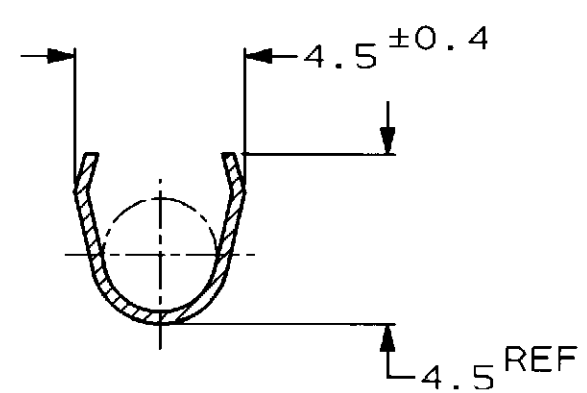
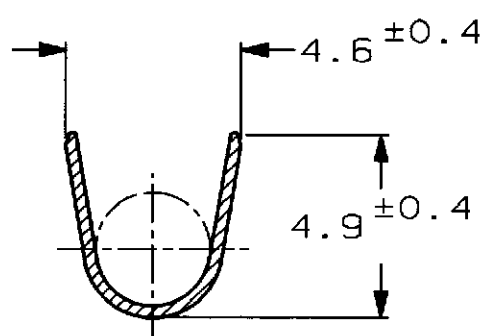
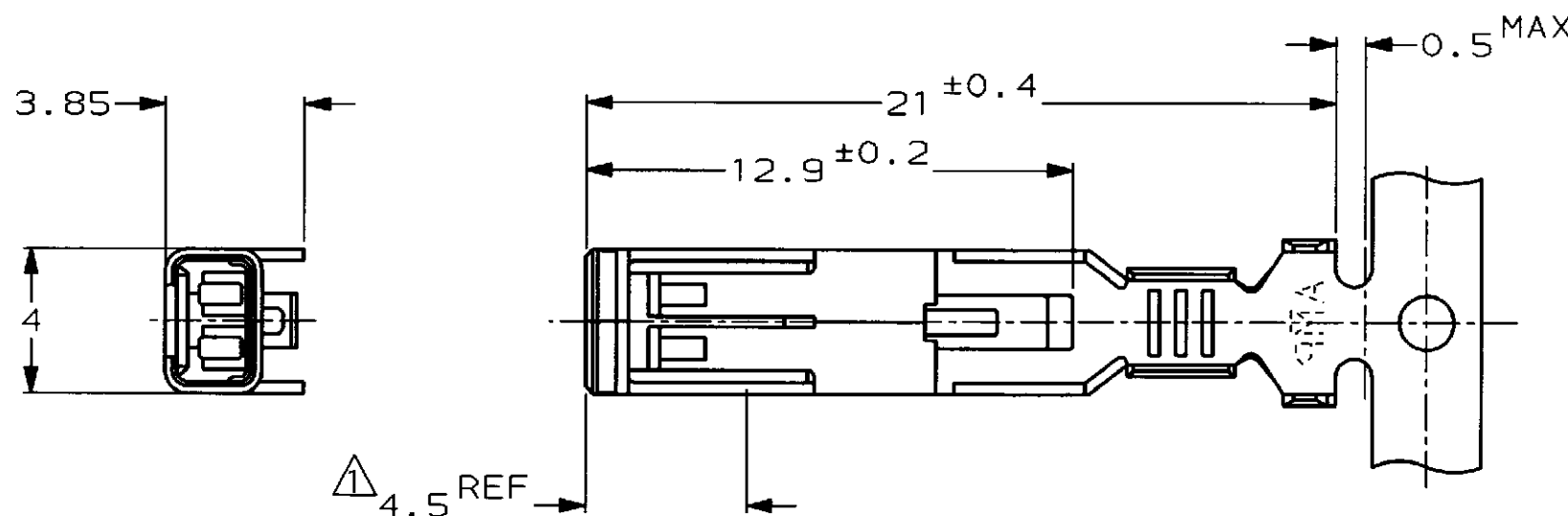


P	LTR	DESCRIPTION	ECN	DATE	DWN	APVD
E		REDRAWN W/O CHANGE	FJ00-1454-98	26 AUG 98	AY	MP



- △ HOUSING PARTS NUMBER:
171358, 171892 etc.
- 2. THE MATING TAB CONTACTS PARTS NUMBER:
170221, 170308 etc.
- 3. REVERSE REEL PART NUMBER FOR 170286-1:
1-170286-1

- △ 使用するハウジングは、型番:
171358, 171892他。
- 2. 嵌合するタブコンタクトは、型番:
170221, 170308他。
- 3. 170286-1の逆巻き型番:
1-170286-1

LOOSE PIECE No.	FINISH	MATERIAL	PART NUMBER
170289-3	SELECTIVE GOLD PL	PH BRZ TEMP #4	170286-4
170289-2	SELECTIVE GOLD PL	PH BRZ TEMP #4	170286-2
170289-1	PRE-TINNED	PH BRZ TEMP #4	170286-1

WIRE RANGE 適合電線断面積 (0.5~2mm ² SQ)	INSULATION DIA 被覆外径
AWG No. #20~#14	2.2~3.4 DIA

THIS DRAWING IS A CONTROLLED DOCUMENT FOR AMP INCORPORATED. IT IS SUBJECT TO CHANGE AND THE CONTROLLING ENGINEERING ORGANIZATION SHOULD BE CONTACTED FOR THE LATEST REVISION.

CHK: *A. Yamaguchi* MAUG98

APVD: *[Signature]* 26 AUG 98

DIMENSIONS: 単位・純 mm

TOLERANCES UNLESS OTHERWISE SPECIFIED

一般公差
10mm ±0.2
30mm >0 ±0.25
100mm >30 ±0.3
ANGLE ±0.3°

MATERIAL 材料: SEE TABLE

FINISH 仕上: SEE TABLE

PRODUCT SPEC: 108-5093, 108-5099

APPLICATION SPEC: 取付適用規格

WEIGHT: 0.6g

CUSTOMER DRAWING

AMP 日本エー・エム・シー株式会社
Kawasaki, Japan

NAME 名称: MULTI INTERLOCK CONNECTOR RECEPTACLE
マルチインターロックコネクタ リセプタクル

SIZE: A3 CAGE CODE: 00779 DRAWING NO: 170286

RESTRICTED TO: -

SCALE: 5:1 SHEET: 1 OF 1 REV: E

- [Home](#)
- [Part Number Search](#)
- [Document Search](#)
- [Text Search](#)
- [Alternate Part Search](#)
- [Multiple Part Comparison](#)
- [Alphabetical Search](#)
- [Brand Search](#)
- [Industry Product Search](#)
- [Product Type Search](#)
- [Product Family Search](#)
- [Competitor Cross Reference](#)
- [Lead Free Solutions](#)
- [Help/Glossary](#)

Current Brand View	View All Tyco Electronics Brands Click to activate links to all other products
AMP	

Multiple Interlock Connectors

AMP MIC (Multiple Interlock Connectors)

AMP **170286-4** Active [Active](#)

(Tyco Electronics P/N: 170286-4)

[Search for Parts](#) | S [Previous](#) [1] [2](#) [Next](#) N

Document links for this part cannot be displayed. Your browser does not support inline frames or is currently configured not to display inline frames. Inline frames are supported in both Internet Explorer 5 and Netscape 6, as well as all later versions of these browsers.

Related Part Information		
General Information	eCommerce	Related Part Information
<ul style="list-style-type: none"> General Info Sales Info Assembly Subcontractors 	<ul style="list-style-type: none"> Pricing Product Availability 	

Searchable Features:	
Brand:	AMP
Product Type:	Contact
Wire Range (mm [AWG]):	0.5 - 2.27
Gender:	Receptacle
Insulation Diameter (mm [in]):	2.20-3.40 [.086-.133]
Packaging Method:	Strip
Contact Material:	Phosphor Bronze
Contact Mating Area Plating:	Gold (30)
Terminate To:	Wire
Product Series:	Series I

[Copyright](#) and [Privacy Statement](#)

Visit [Tyco International, Ltd.](#)

[Products](#) | [Catalog](#) | [Brands](#) | [Industries](#) | [Commerce](#) | [Supplier](#) | [Customer Service](#) | [About](#) | [Home](#)