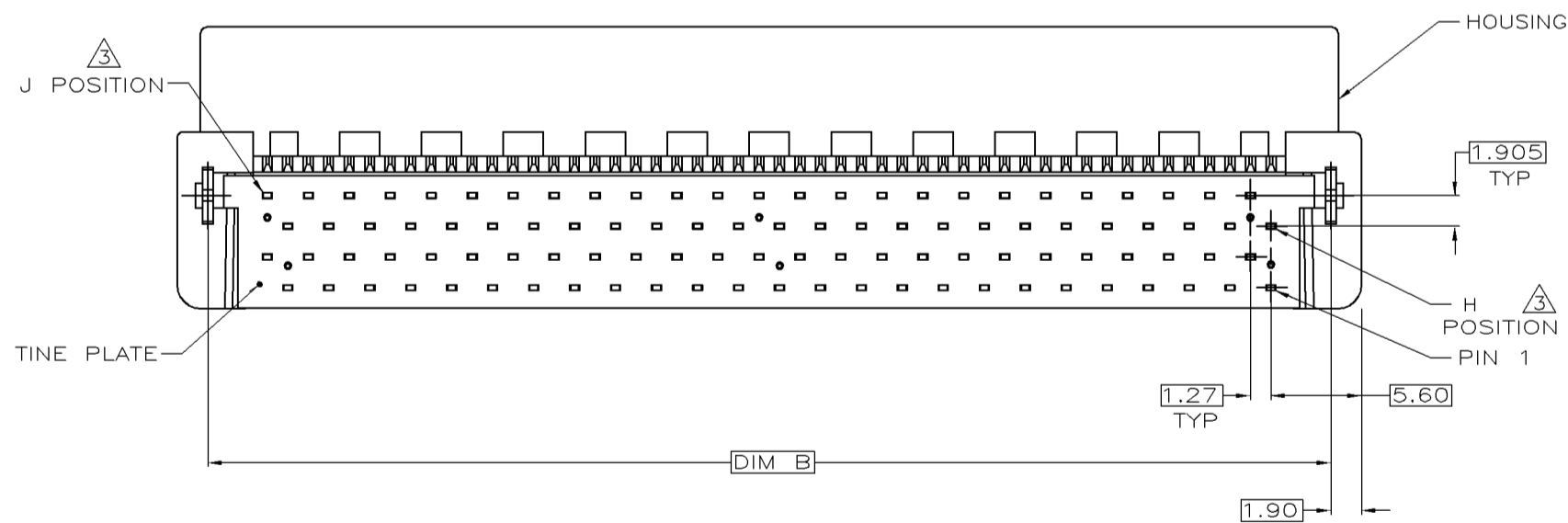
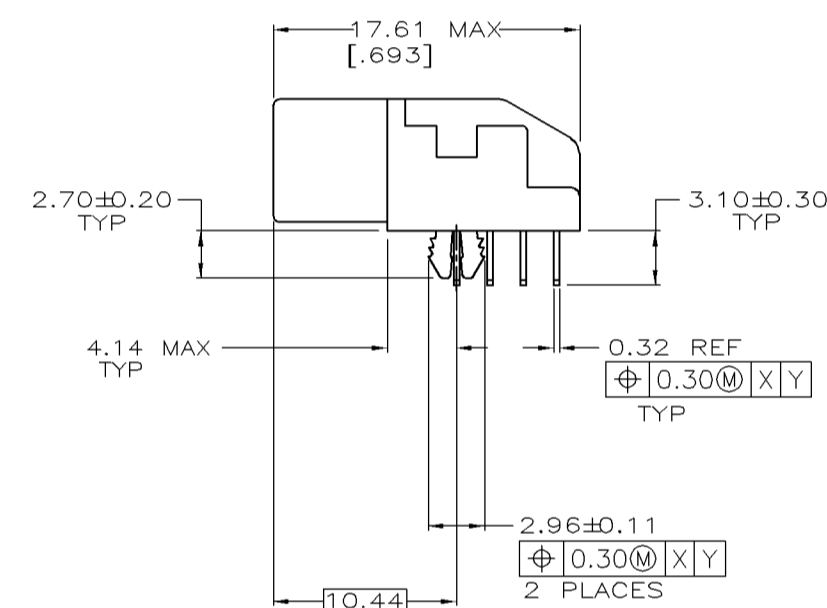
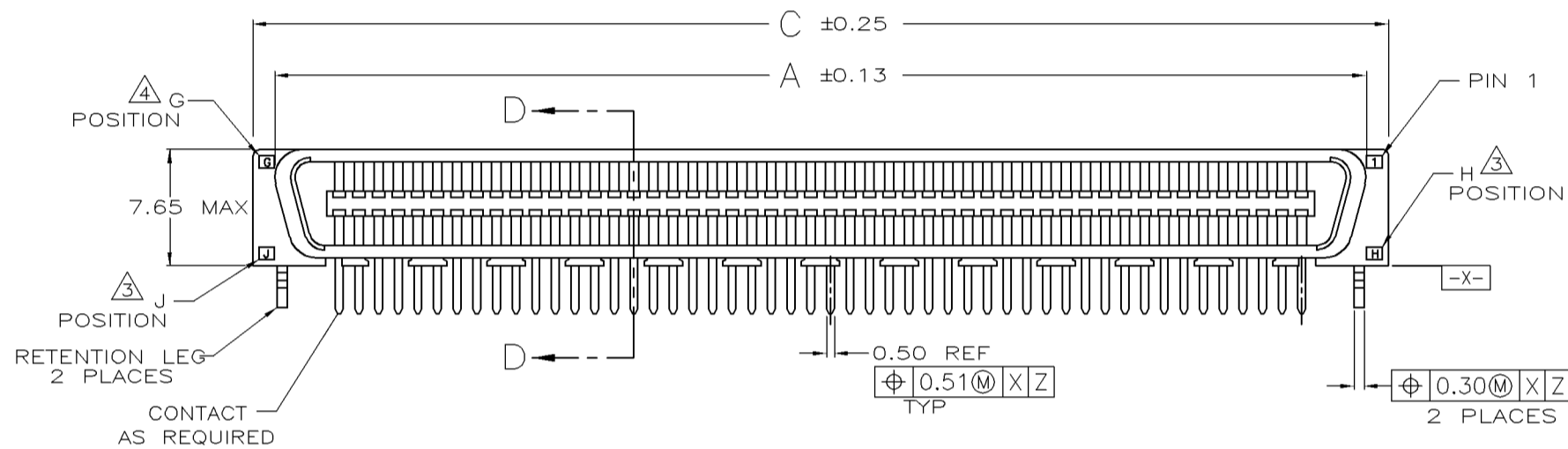


SECTION D-D
SCALE 8:1



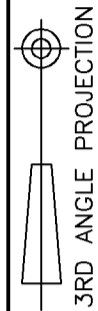
120	61	60	86.13	82.33	83.27	120	1734832-2
80	41	40	60.73	56.93	57.87	80	1734832-1
J	H	G	C	B	A	POS.	PART NUMBER

- △ HOUSING AND TINE PLATE: LCP, 94V-0, BLACK.
CONTACT: PHOSPHOR BRONZE.
RETENTION LEG: BRASS.
- △ CONTACT: 0.38µm MIN GOLD FOR A LENGTH OF 2.00 MIN FOR A LENGTH OF 1.00 MAX FROM MATING END,
3.75µm MATTE TIN FOR A LENGTH OF 3.40 MIN FROM OPPOSITE END, BOTH OVER 1.27µm MIN NICKEL.
RETENTION LEG: 3.81µm MIN TIN-CU OVER 1.27µm MIN NICKEL.
- △ G, J AND H INDICATE NUMBER OF POSITION MARKED ON ASSEMBLY. SEE TABLE.
- 4. CONNECTOR WILL ACCOMMODATE PRINTED CIRCUIT BOARD THICKNESS OF 0.80 TO 1.60.
- 5. ALWAYS RoHS/ELV COMPLIANT
- 6. WAVE SOLDER CAPABLE TO 265°C PER TYCO SPEC 109-202, CONDITION B.

A	CHANGE PLATING SPEC	ECR-06-024892	OH/SH	27OCT 2006
O	FIRST RELEASED	FZ00-0022-04	OH/SH	04FEB 2005
LTR	REVISION RECORD	ECN	DWN/CHK	DATE

DIMENSION : 0 PLC ± 1 PLC ± 2 PLC ± 3 PLC ± ANGLES : ±°	DWN	O. HU	TYCO HOLDINGS (BERMUDA) VII LTD. TAIWAN BRANCH
	CHK	S. HOU	
MATERIAL	APVD	W.J. KE	PLUG ASSEMBLY, RIGHT ANGLE, BOARD-TO-BOARD, CHAMP .050, SERIES I
	PRODUCT SPEC	108-1367	
FINISH	APPLICATION SPEC	114-6045	LOC DW
	WEIGHT		SCALE
			SIZE A ₃
			DRAWING NO C-1734832
			REV A
			SHEET 1 OF 2

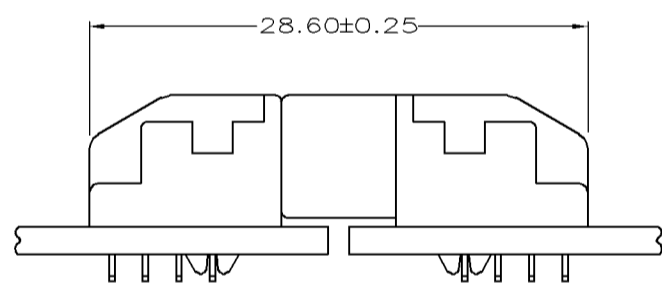
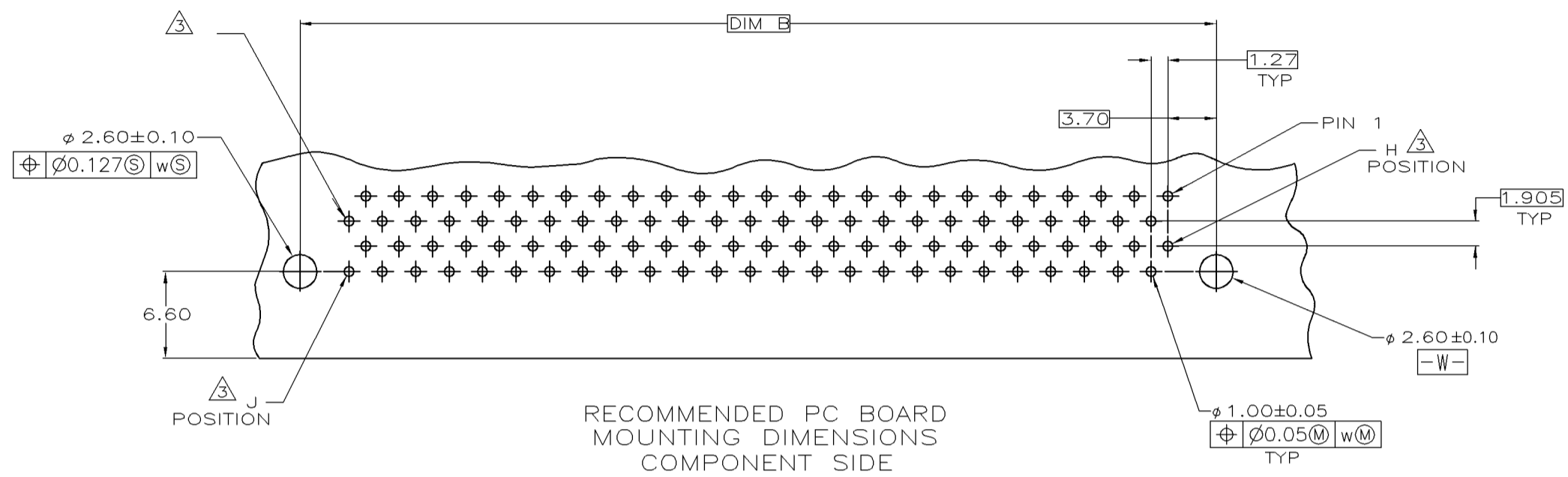
NUMBER
C-1734832



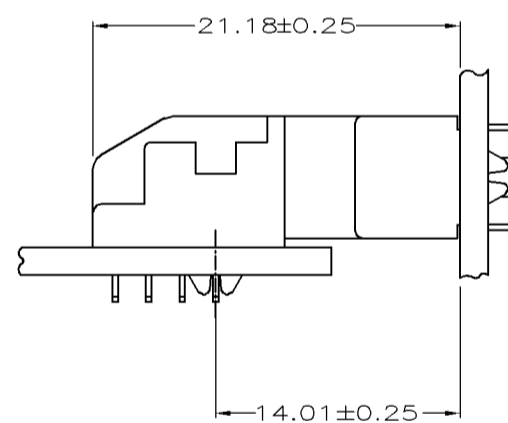
METRIC

THIS INFORMATION IS CONFIDENTIAL AND IS DISCLOSED TO YOU ON CONDITION THAT NO FURTHER DISCLOSURE IS MADE BY YOU TO OTHER THAN AMP PERSONNEL WITHOUT WRITTEN AUTHORIZATION FROM AMP (TAIWAN) LTD. DIMENSIONS IN MILLIMETERS. DO NOT SCALE PRINT.

PRINT DIST
DW



RIGHT ANGLE PLUG ASSEMBLY MATED TO RIGHT ANGLE RECEPTACLE ASSEMBLY



RIGHT ANGLE PLUG ASSEMBLY MATED TO VERTICAL RECEPTACLE ASSEMBLY

SEE SHEET 1.	ECN	DWN	CHK	DATE
LTR	REVISION RECORD			

DIMENSION : 0 PLC ± 1 PLC ± 2 PLC ± 3 PLC ± ANGLES : ±'	DWN	O. HU	TYCO HOLDINGS (BERMUDA) VII LTD. TAIWAN BRANCH			
		24-OCT-2006				
MATERIAL SEE NOTE	CHK	S. HOU	NAME PLUG ASSEMBLY, RIGHT ANGLE, BOARD-TO-BOARD, CHAMP .050, SERIES I			
		24-OCT-2006				
FINISH SEE NOTE	APVD	W.J. KE	LOC	SIZE	DRAWING NO	REV
	PRODUCT SPEC	24-OCT-2006	DW	A ₃	C-1734832	A
	APPLICATION SPEC		SCALE	SHEET		
	WEIGHT		--	2 OF 2		