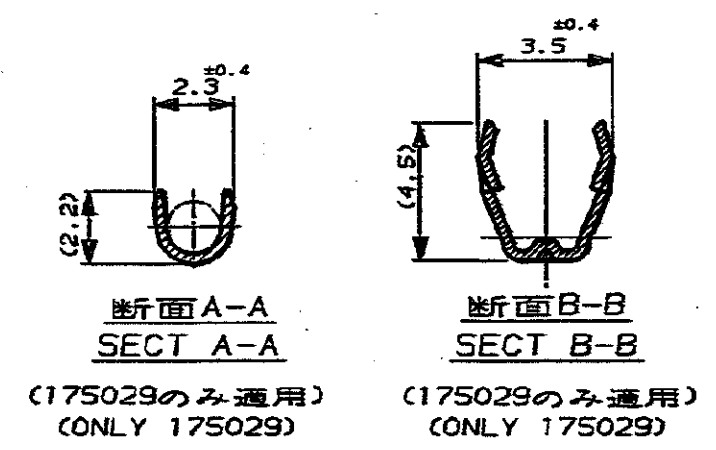
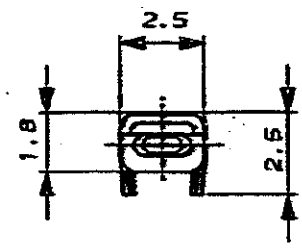
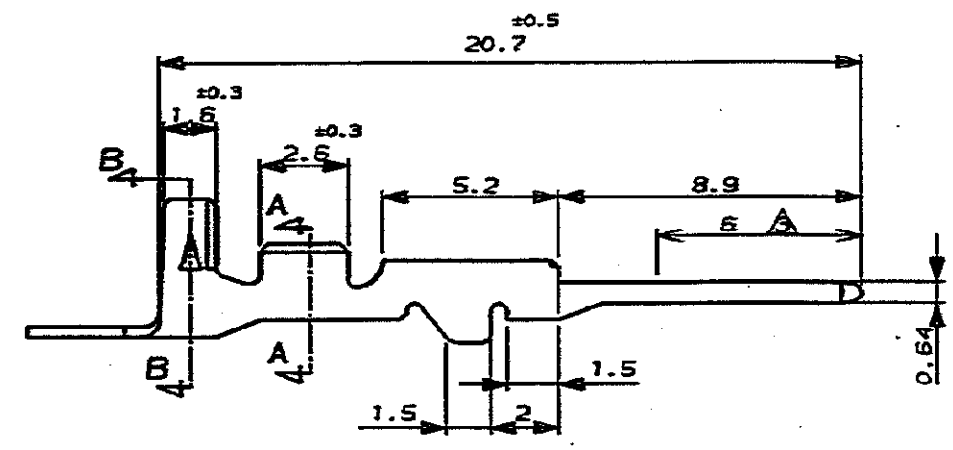
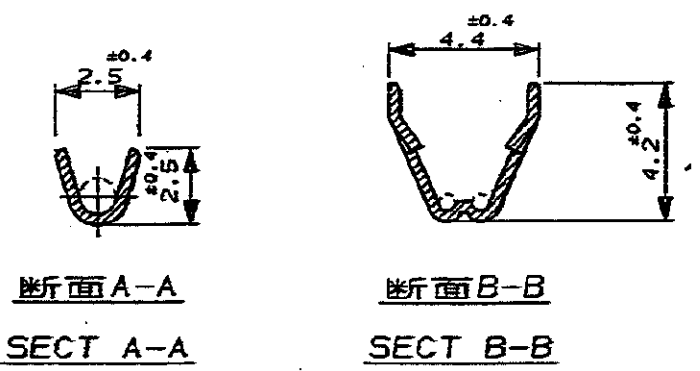
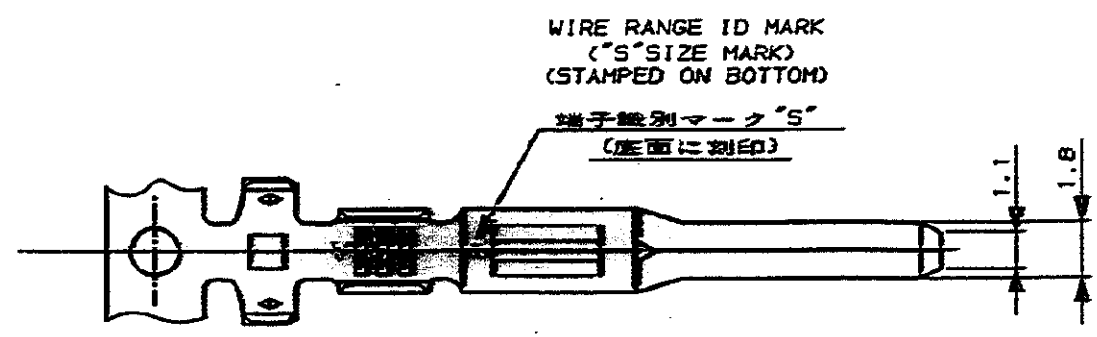


NUMBER C-173633  
 3rd ANGLE PROJECTION  
 METRIC



注：  
 1. 製品規格; 108-5231, 108-5264  
 2. かん合相手端子型番; 173630他

NOTE;  
 1. SPEC : 108-5231, 108-5264  
 2. RECE. CONT. 173630 etc

175029-3	部分金めっき SELECTIVE GOLD Δ	リン青銅 板厚 0.32 PHOS BRONZE t0.32	173633-3
175029-2	めっき済 PRE-TINNED	リン青銅 板厚 0.32 PHOS BRONZE t0.32	173633-2
175029-1	めっき済 PRE-TINNED	黄銅 板厚 0.32 BRASS t0.32	173633-1
パラ端子型番 L/P NUMBER	仕上 FINISH	材料 MATERIAL	型番 PART NUMBER

Copyright ©1987 AMP (Japan), LTD. ALL RIGHTS RESERVED.		<b>AMP</b> AMP (JAPAN), LTD. Tokyo, Japan	
WIRE RANGE AVS 0.2-0.3 mm <sup>2</sup> (AWG#34-22)	INSULATION DIA 1.4-1.9 mmφ	NAME .070 SERIES TAB CONTACT .070シリーズ タブ コンタクト	
MATERIAL. SEE TABLE 表参照	FINISH. SEE TABLE 表参照	GENERAL TOLERANCE	SIZE LOC NUMBER
DR. T. SAGAMA 10/6/82	DE. T. SAGAMA 10/6/82	0<math>c</math>c<math>10</math> : ±0.2	A3 J C-173633
CHK. 10/6/82	APP. 10/7/82	10<math>c</math>c<math>30</math> : ±0.25	SCALE 5-1
LTR REVISION RECORD	DR CHK DATE	30<math>c</math>c<math>100</math> : ±0.3	REV. D
		ANGLES : ±3°	SHEET 1 OF 1

CUSTOMER DRAWING

DIMENSIONS IN MILLIMETERS. DO NOT SCALE PRINT

PRINT DIST

REV. 10/82