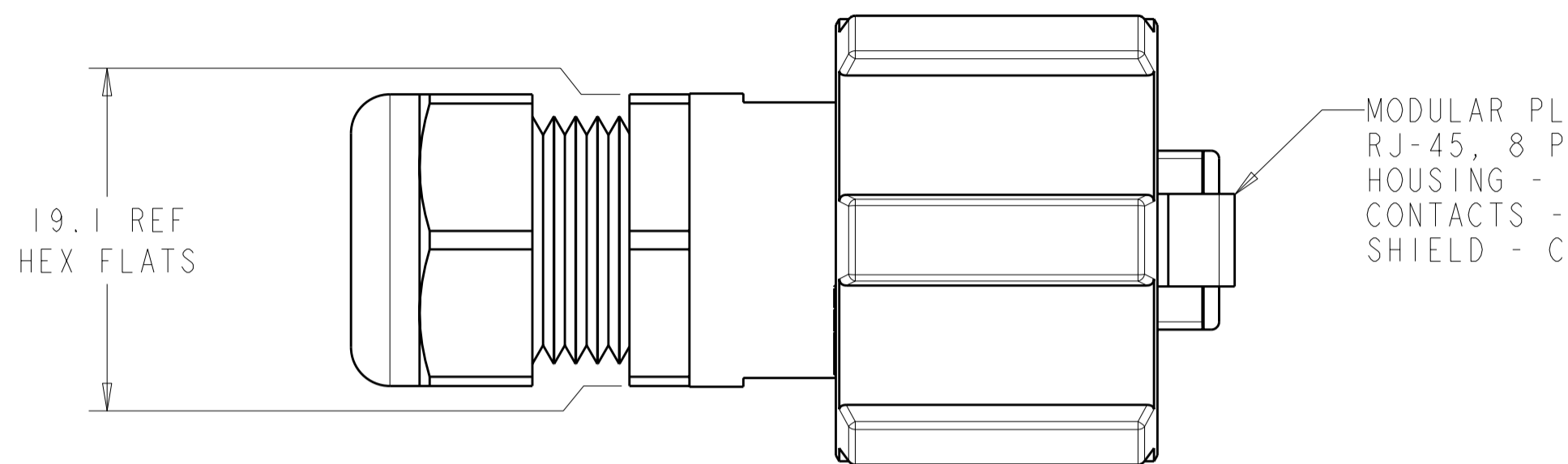
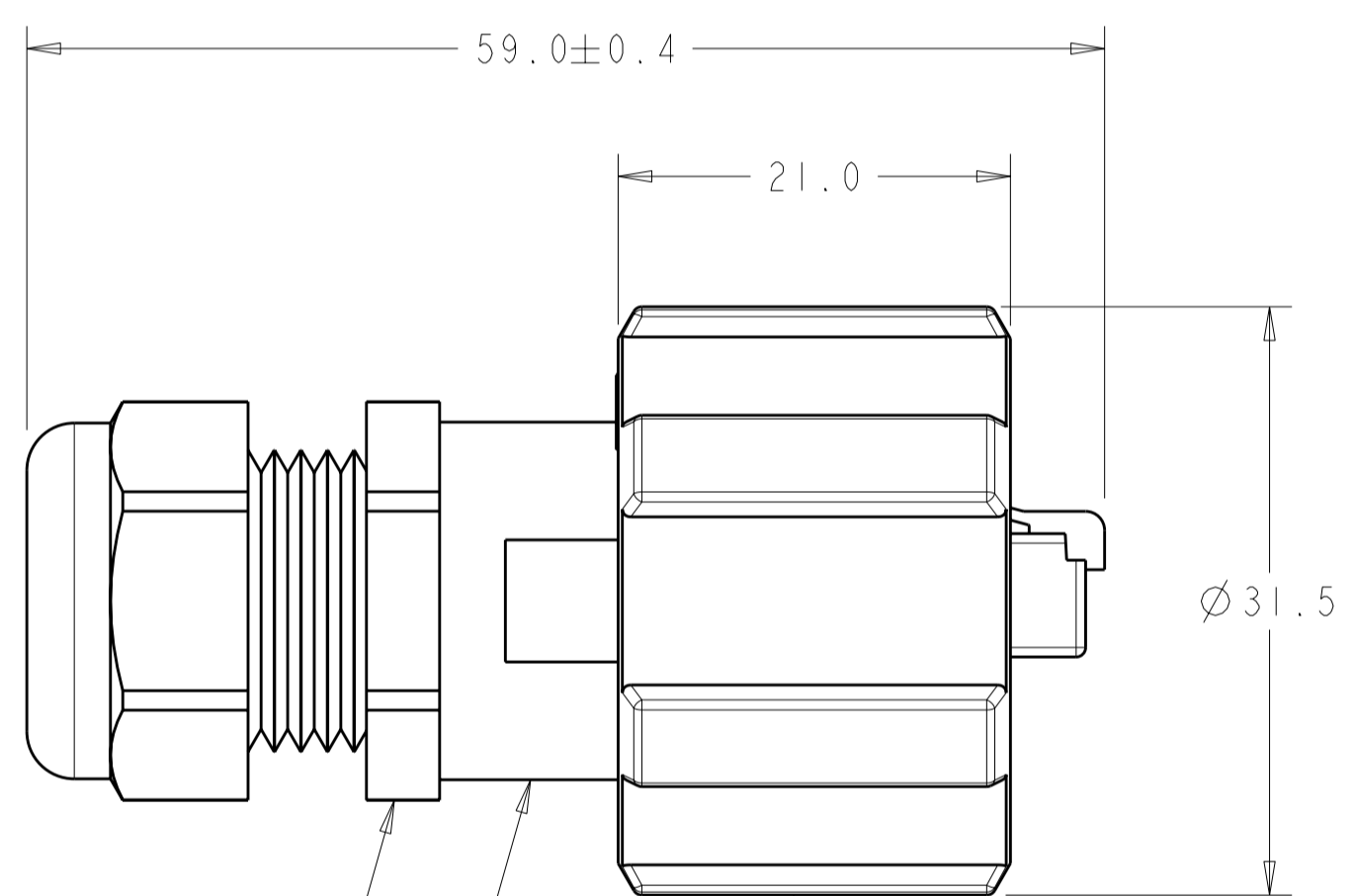


THIS DRAWING IS UNPUBLISHED. RELEASED FOR PUBLICATION 20
 © COPYRIGHT 20 BY TYCO ELECTRONICS CORPORATION. ALL RIGHTS RESERVED.

LOC	DIST	REVISIONS			
P	LTR	DESCRIPTION	DATE	DWN	APVD
FT	0				
	A	RELEASED	17JUN05	DF	SH
	B	REVISED ECO-05-013549	25JAN2006	SW	GS
	C	REVISED PER ECO-08-013256	28MAY2008	SS	MS
	-	-	-	-	-



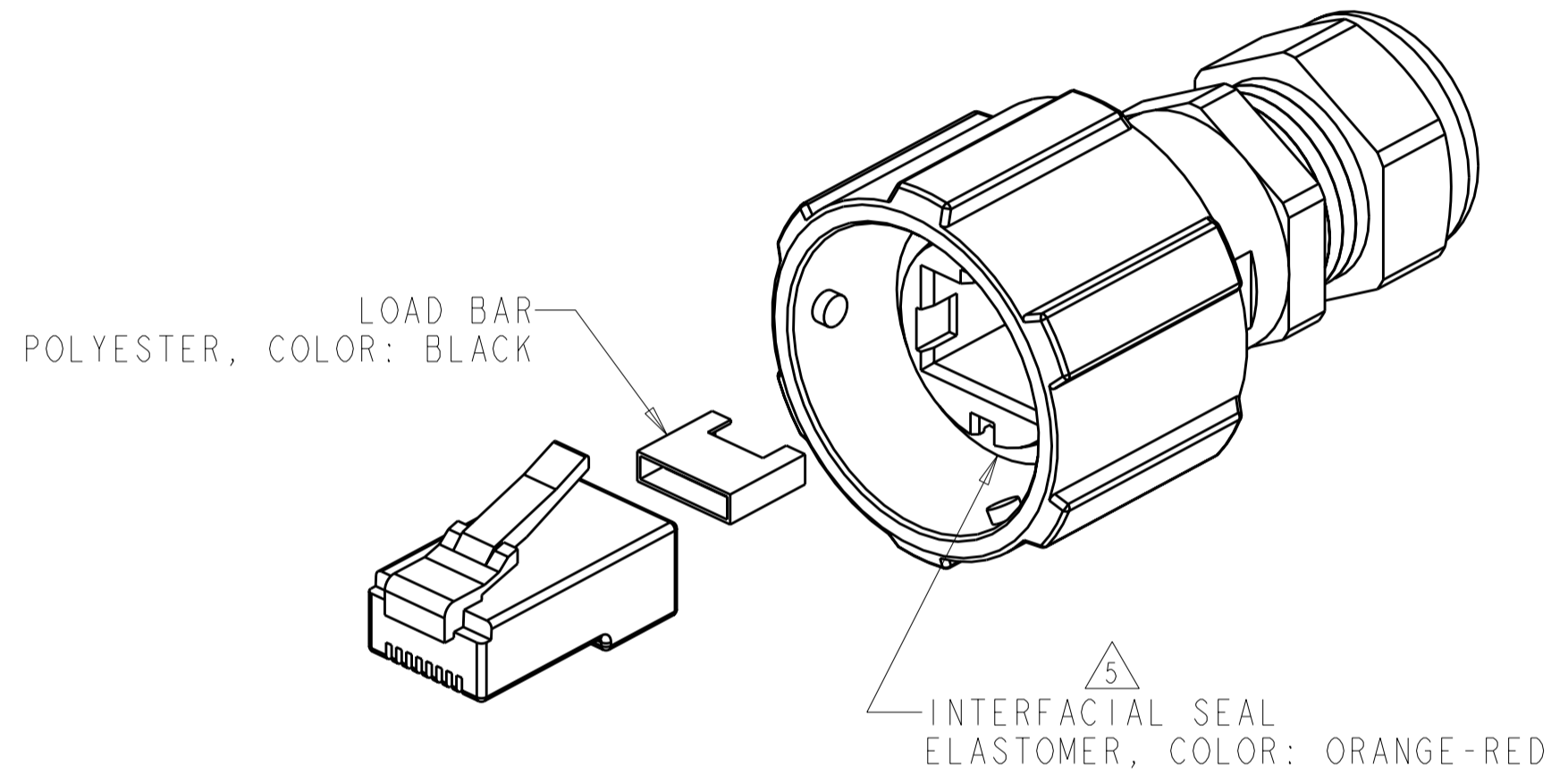
MODULAR PLUG ASSEMBLY
 RJ-45, 8 POSITION-SEE TABULATION BELOW
 HOUSING - CLEAR POLYCARBONATE
 CONTACTS - PHOSPHOR BRONZE, GOLD OVER NICKEL
 SHIELD - COPPER ALLOY W/ SEMI-BRIGHT NICKEL PLATE (-3 & -4 ONLY)



1 CABLE FITTING AND ELASTOMER
 POLYAMIDE COLOR: BLACK

4 PLUG HOUSING
 POLYESTER, COLOR: BLACK

COUPLING RING
 POLYESTER, COLOR: BLACK



SCALE 2:1

- 1 CABLE DIAMETER RANGE, 4.6 mm TO 7.9 mm, CABLE FITTING ONLY, SEE APPLICATION SPECIFICATION FOR PLUG TERMINATION INFORMATION
- 2. THIS PRODUCT HAS NOT COMPLETED VALIDATION TESTING.
- 3. PARTS PACKAGED UNASSEMBLED IN POLYBAG.
- 4 GEOMETRY CAN VARY.
- 5 ELASTOMER SEAL IS SECURED TO HOUSING WITH ADHESIVE.

DESCRIPTION	CONDUCTOR TYPE	PART NUMBER
SHIELDED	24-26 AWG STRANDED	1738607-4
	24-26 AWG SOLID	1738607-3
UNSHIELDED	24 AWG STRANDED	1738607-2
	24 AWG SOLID	1738607-1

THIS DRAWING IS A CONTROLLED DOCUMENT FOR TYCO ELECTRONICS CORPORATION. IT IS SUBJECT TO CHANGE AND THE CONTROLLING ENGINEERING ORGANIZATION SHOULD BE CONTACTED FOR THE LATEST REVISION.		DWN R.L. KOLLER 25MAR04	Tyco Electronics Harrisburg, PA 17105-3608	
DIMENSIONS: mm		CHK J. LANDIS 26MAR04	NAME PLUG ASSEMBLY INDUSTRIAL CIRCULAR ETHERNET CONNECTOR	
TOLERANCES UNLESS OTHERWISE SPECIFIED: 0 PLC ±0.3 1 PLC ±0.2 2 PLC ±0.10 3 PLC ± 4 PLC ± ANGLES ±° FINISH		APVD S. HEADER 17JUN05	RESTRICTED TO	
MATERIAL		PRODUCT SPEC 108-2198	SIZE A2	CAGE CODE 00779
		APPLICATION SPEC 114-13136	DRAWING NO 1738607	REV C
		WEIGHT	SCALE 5:2 SHEET 1 OF 1	
CUSTOMER DRAWING				