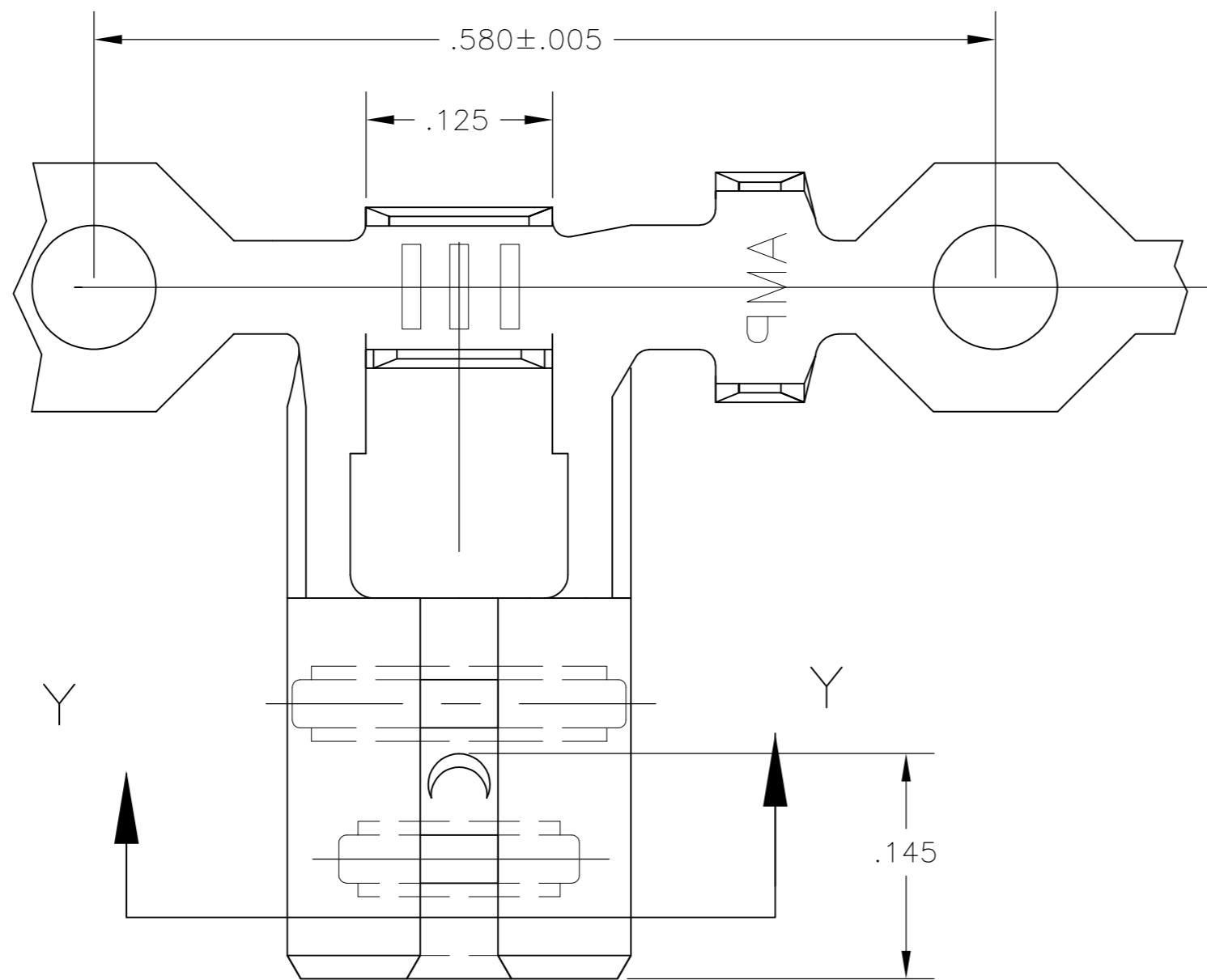
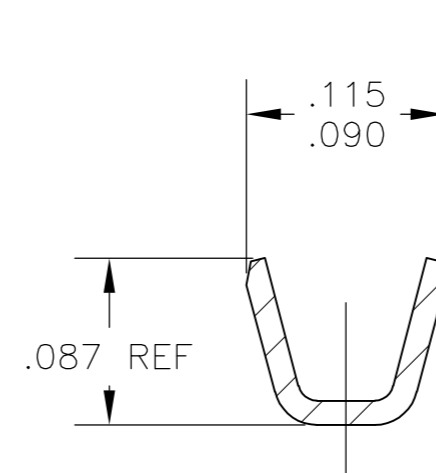


THIS DRAWING IS UNPUBLISHED. RELEASED FOR PUBLICATION  
 © COPYRIGHT BY TYCO ELECTRONICS CORPORATION. ALL RIGHTS RESERVED.

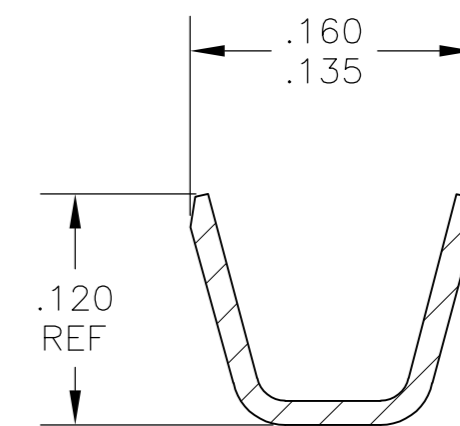
LOC	DIST	REVISIONS			
P	LTR	DESCRIPTION	DATE	DWN	APVD
AF	14	B1	REVISED PER ECR-08-018162	24JUL08	HMR PD



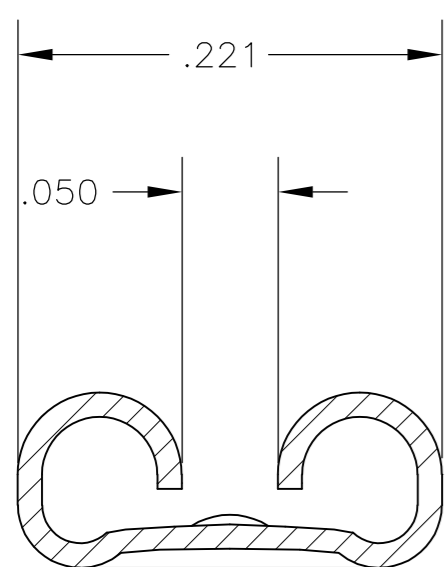
- 1 CONTINUOUS STRIP ON REELS
- 2 WIRE SIZE IS 22-18 AWG
- 3 INSULATION RANGE IS .060-.110 DIA.
- 4 MATING TAB THK IS .032±.001



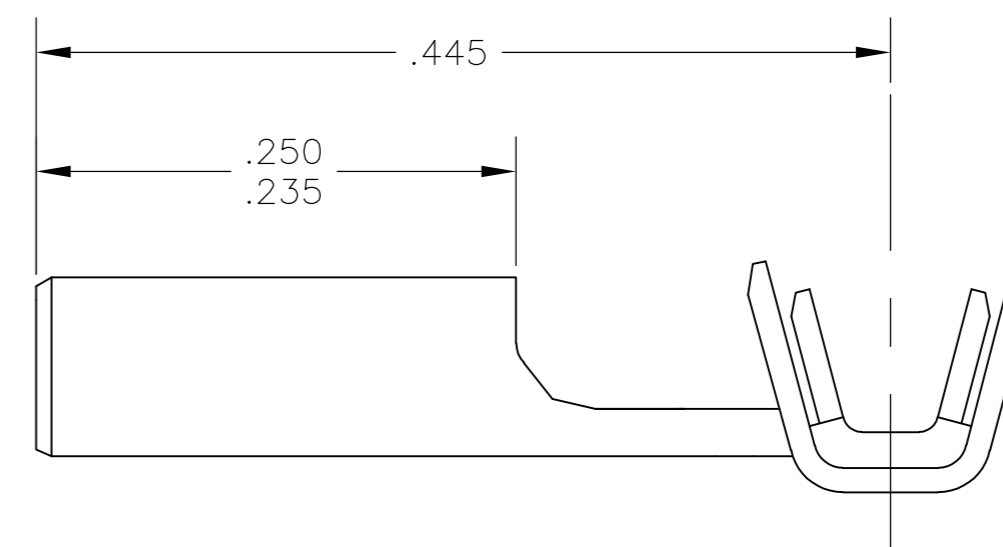
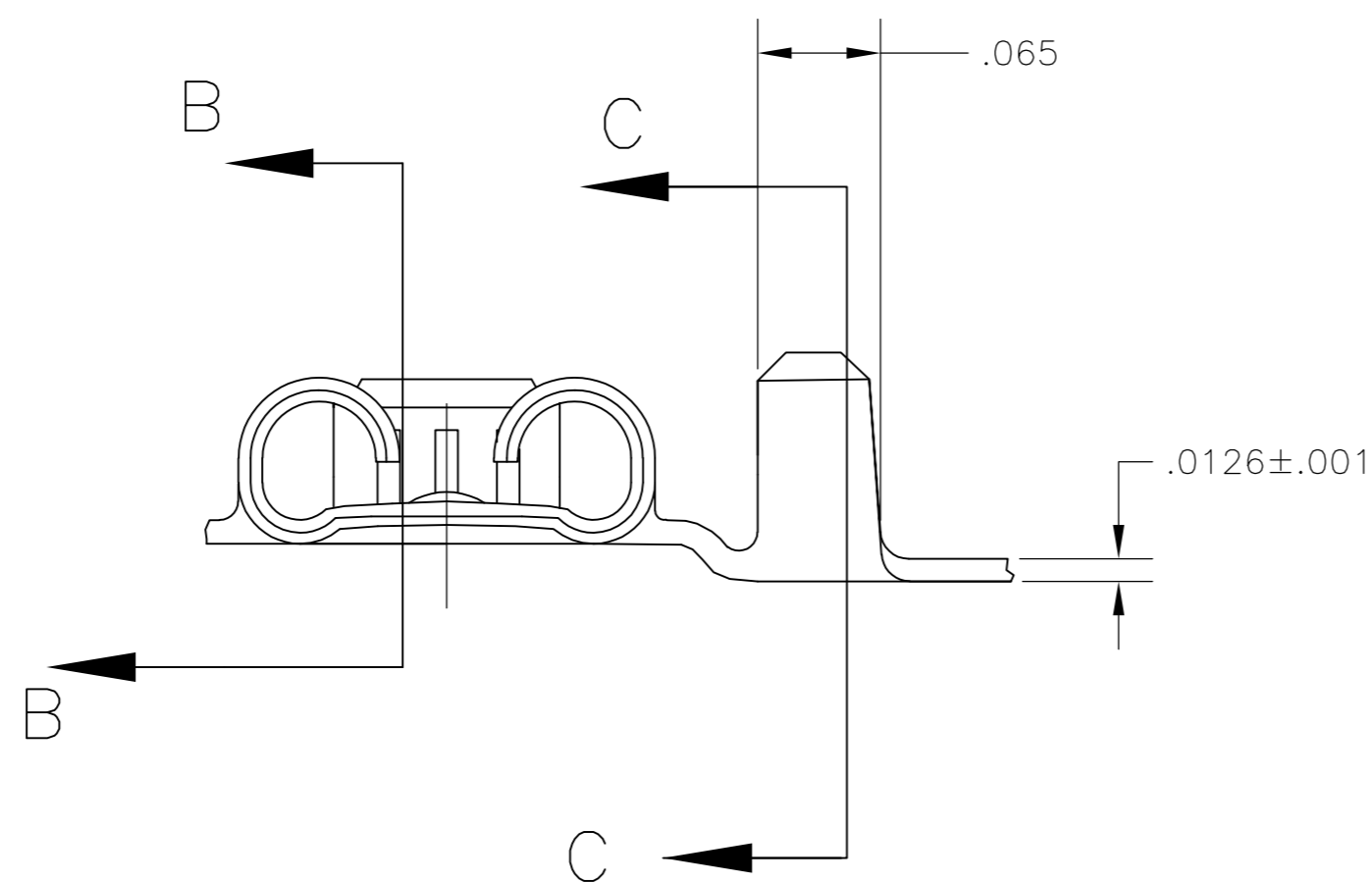
SECTION B-B



SECTION C-C



SECTION Y-Y



.000080 MIN TIN	1742087-2
PLAIN	1742087-1
FINISH	PART NO

THIS DRAWING IS A CONTROLLED DOCUMENT.		DWN	JR RUTH	04mar04	Tyco Electronics Corporation Harrisburg, Pa 17105-3608
DIMENSIONS: INCHES		CHK	P_DESANTIS	04MAR04	
TOLERANCES UNLESS OTHERWISE SPECIFIED:		APVD	P_DESANTIS	04MAR04	
0 PLC ± - 1 PLC ± - 2 PLC ± - 3 PLC ± .010 4 PLC ± - ANGLES ± 2°		PRODUCT SPEC	NAME		
MATERIAL: H04 BRASS		FINISH	SEE TABLE		APPLICATION SPEC WEIGHT SCALE: 10:1
CUSTOMER DRAWING		SIZE: A2		CAGE CODE: 00779	DRAWING NO: 1742087 RESTRICTED TO: - SHEET 1 OF 1 REV B1