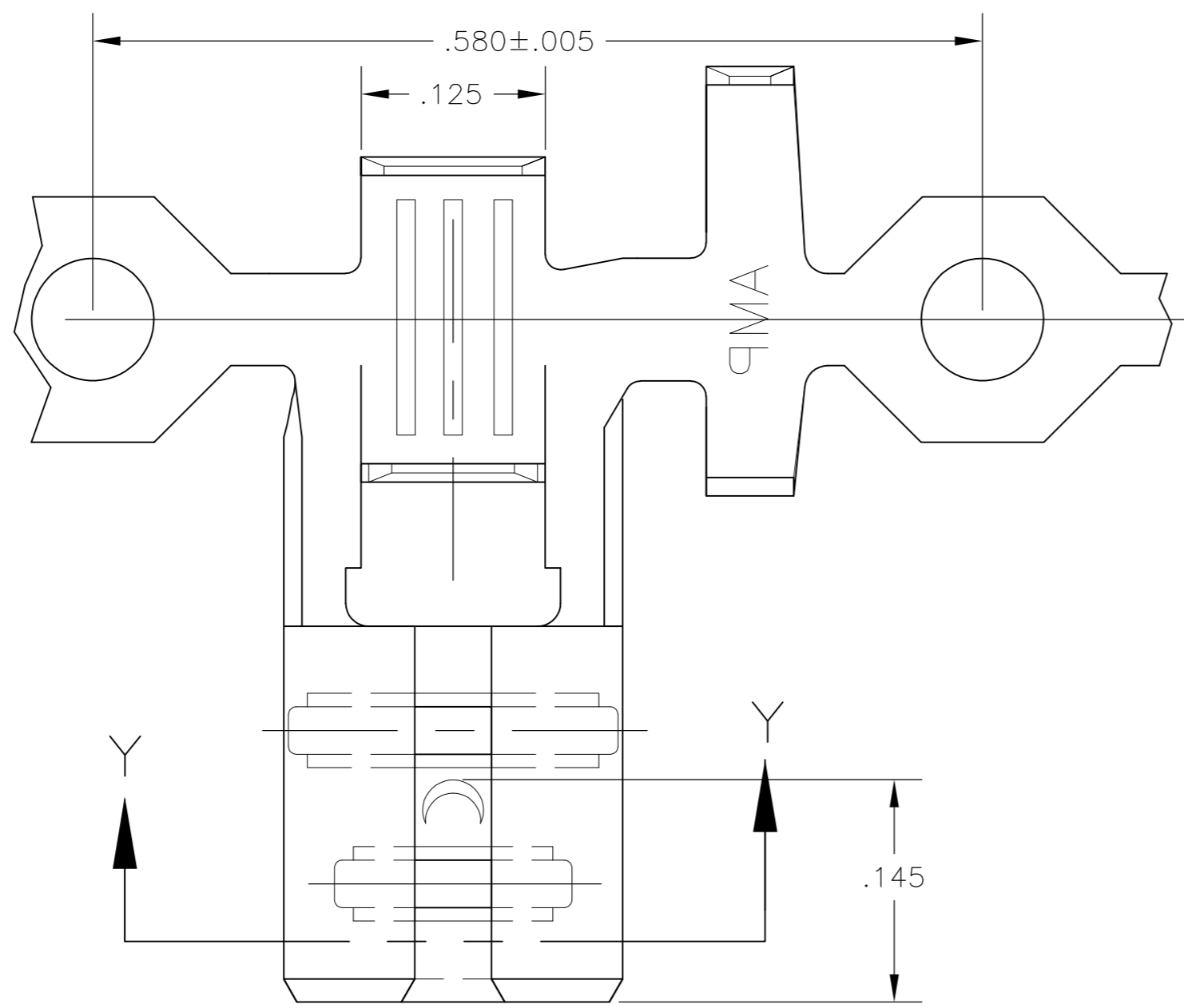
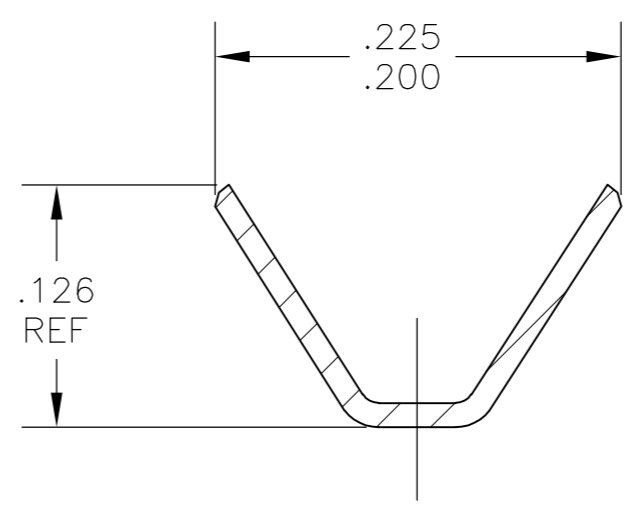


THIS DRAWING IS UNPUBLISHED. RELEASED FOR PUBLICATION
 © COPYRIGHT BY TYCO ELECTRONICS CORPORATION. ALL RIGHTS RESERVED.

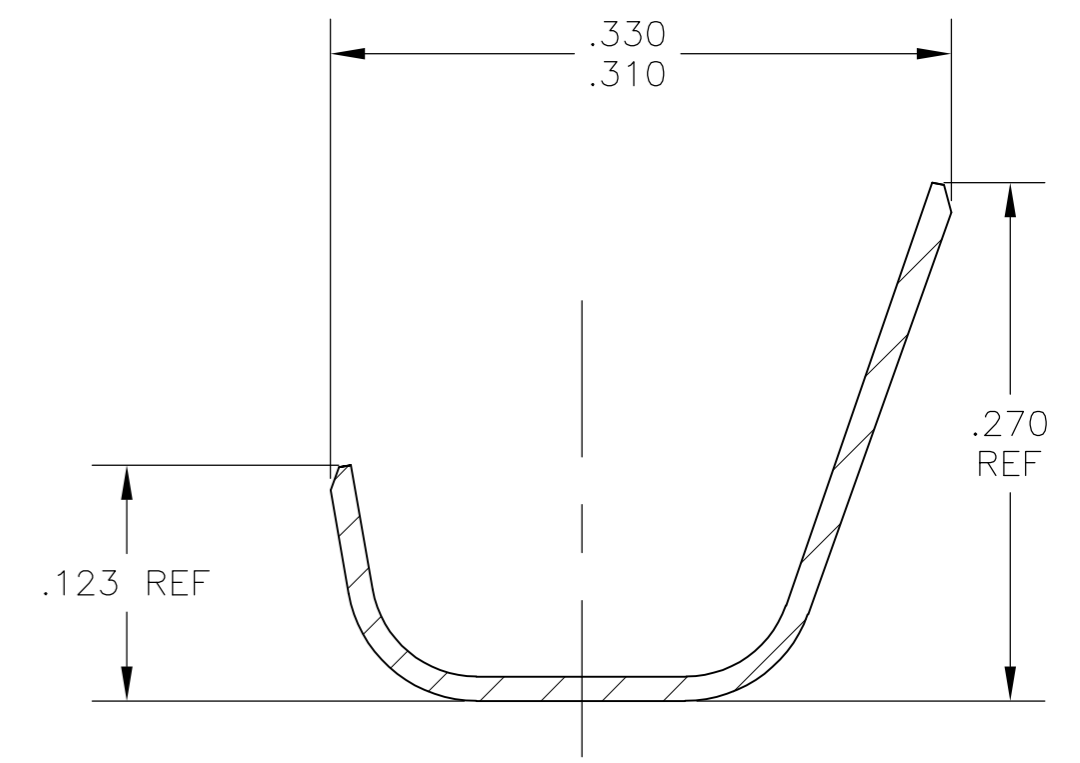
LOC	DIST	REVISIONS			
P	LTR	DESCRIPTION	DATE	DWN	APVD
AF	50	F	REVISED PER ECR-08-020253	28AUG08	HMR PD



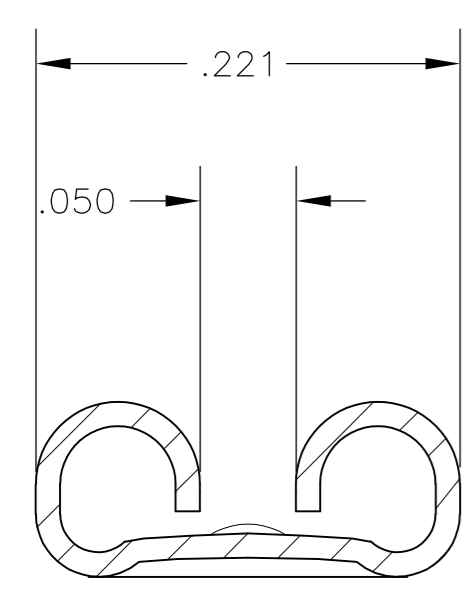
- 1 CONTINUOUS STRIP ON REELS
- 2 WIRE SIZE IS 18-14 OR TWO 18'S AWG
- 3 INSULATION RANGE IS .110-.150 DIA. OR TWO AT .110 MAX DIA.
- 4 MATING TAB THK IS .020±.001



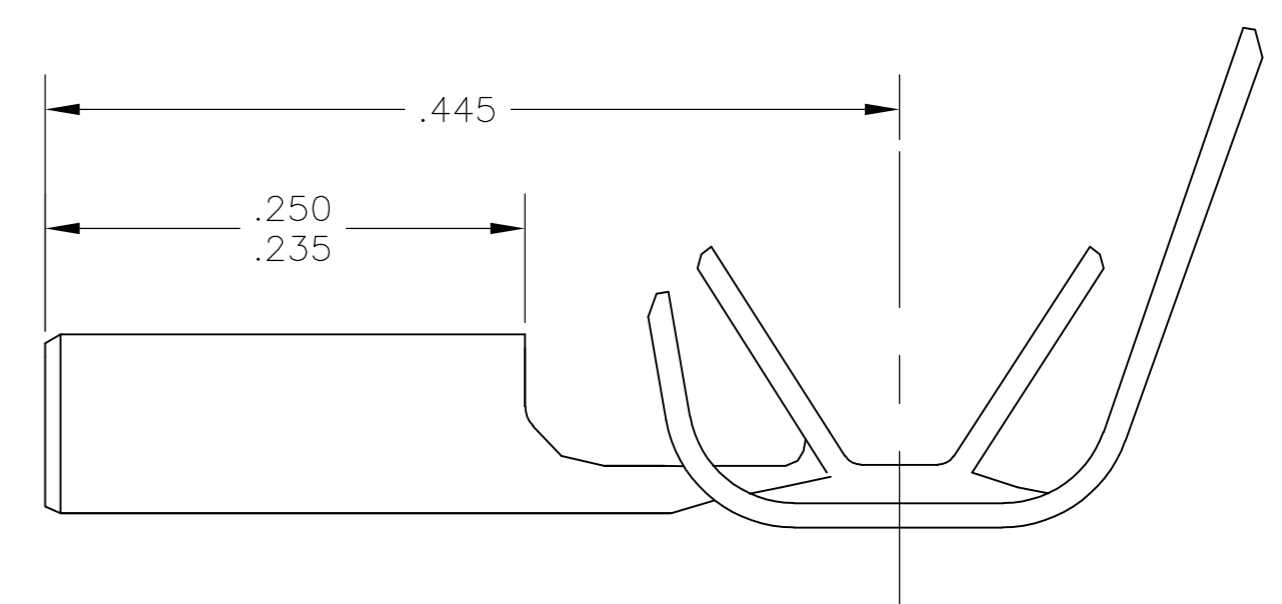
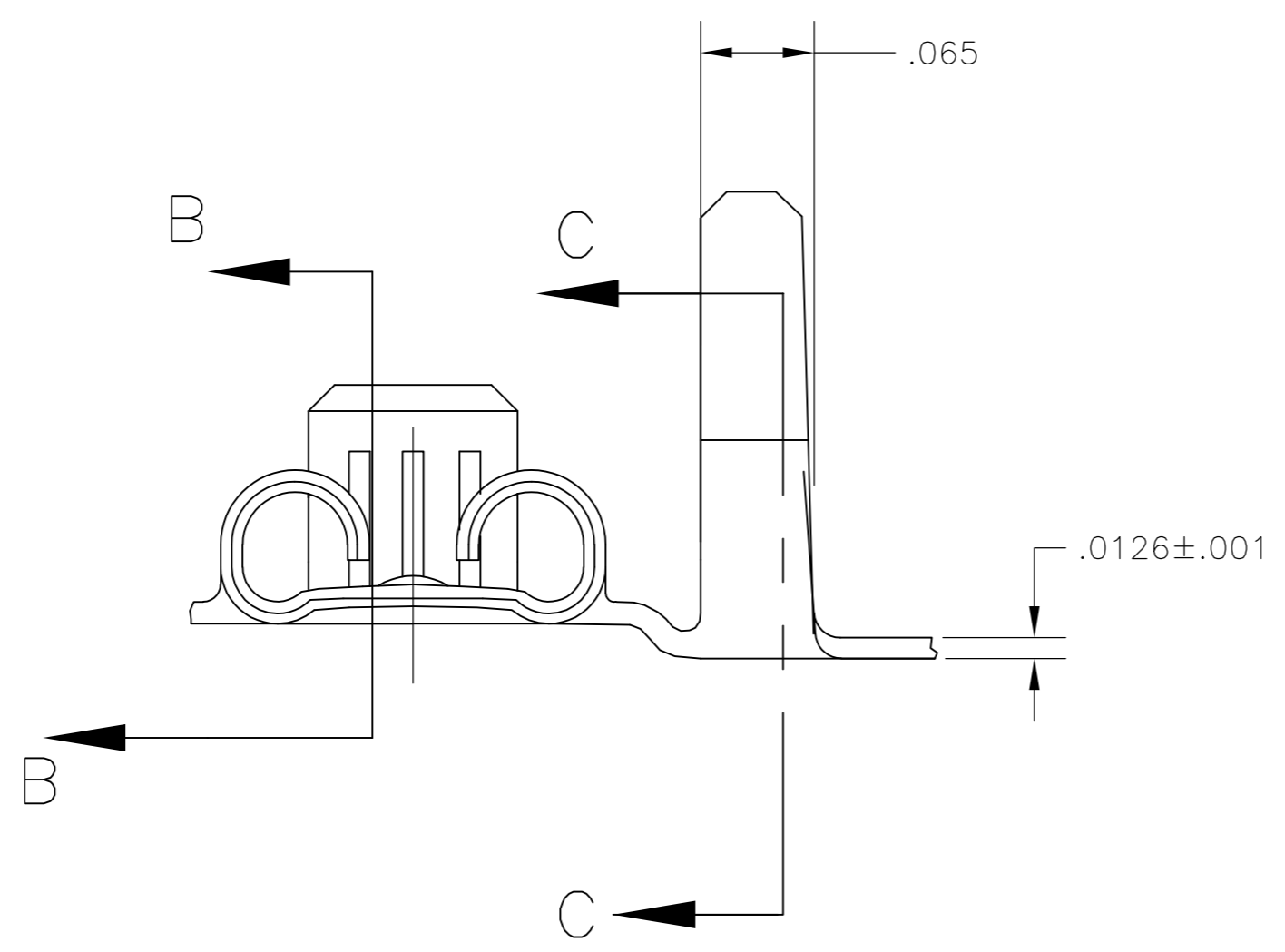
SECTION B-B



SECTION C-C



SECTION Y-Y



.000080 MIN TIN	1742088-2
PLAIN	1742088-1
FINISH	PART NO

THIS DRAWING IS A CONTROLLED DOCUMENT.		DWN	JR RUTH	04mar04	Tyco Electronics Corporation Harrisburg, PA 17105-3608																		
DIMENSIONS: INCHES		CHK	P DESANTIS	04MAR04																			
TOLERANCES UNLESS OTHERWISE SPECIFIED:		APVD	P DESANTIS	04MAR04																			
<table border="1"> <tr><td>0 PLC</td><td>±</td><td>-</td></tr> <tr><td>1 PLC</td><td>±</td><td>-</td></tr> <tr><td>2 PLC</td><td>±</td><td>-</td></tr> <tr><td>3 PLC</td><td>±</td><td>.010</td></tr> <tr><td>4 PLC</td><td>±</td><td>-</td></tr> <tr><td>ANGLES</td><td>±</td><td>2°</td></tr> </table>		0 PLC	±	-		1 PLC	±	-	2 PLC	±	-	3 PLC	±	.010	4 PLC	±	-	ANGLES	±	2°	PRODUCT SPEC	-	NAME
0 PLC	±	-																					
1 PLC	±	-																					
2 PLC	±	-																					
3 PLC	±	.010																					
4 PLC	±	-																					
ANGLES	±	2°																					
MATERIAL	H04 BRASS	FINISH	-	WEIGHT	-																		
CUSTOMER DRAWING		SCALE	10:1	SHEET	1 OF 1																		
REV F		RESTRICTED TO	-	SIZE	A2																		
CAGE CODE		00779	C=1742088	DRAWING NO																			

1742088