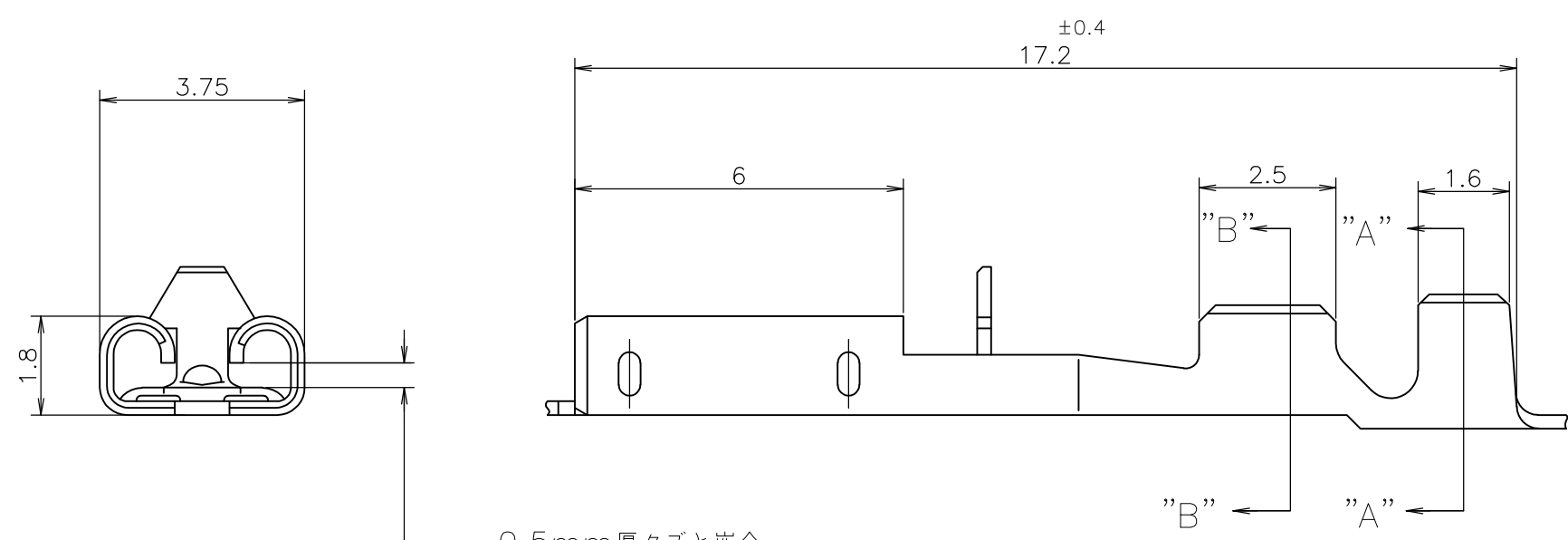
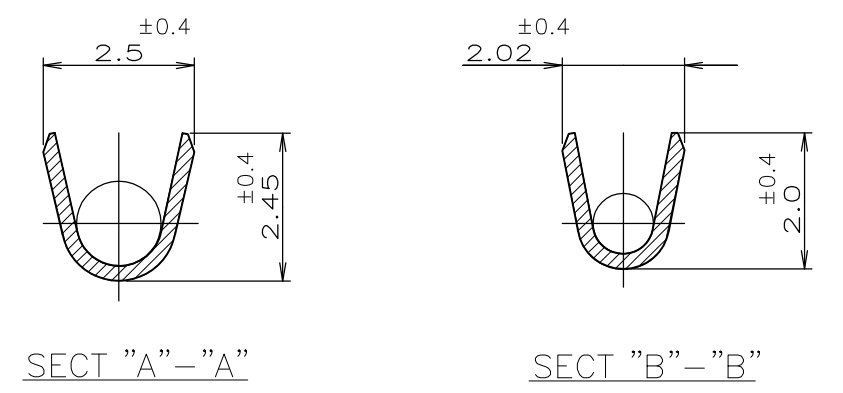
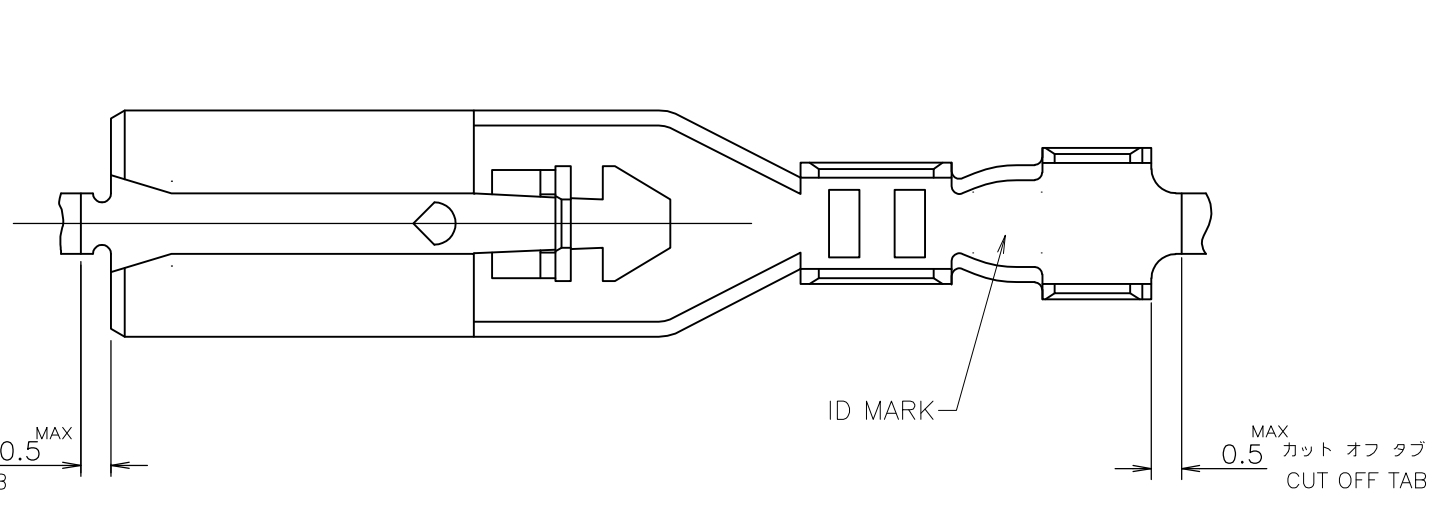


THIS DRAWING IS UNPUBLISHED. RELEASED FOR PUBLICATION  
 © COPYRIGHT - By - ALL RIGHTS RESERVED.

LOC	DIST	REVISIONS					
J	-	変更					
		P	LTR	DESCRIPTION	DATE	DWN	APVD
			F2	REVISED PER ECO-11-005030	11MAR11	RK	HMR



0.5mm厚タブと嵌合  
 MATE WITH 0.5mm THK. TAB

- 注
- 適用ハウジング型番 : 174779-1
  - 適用アプリケーション型番 : 909101-2
  - バラ状端子型番 : 表参照

- NOTES
- HOUSING P/N : 174779-1
  - APPLICATER P/N : 909101-2
  - LOOSE PIECE P/N : SEE TABLE
- △ OBSOLETE PARTS: OBSOLETE CIS STREAMLINING PER D.RENAUD/D.SINISI

#	めっきなし・黄銅 PLAIN BRASS	175411-5
175412-2	錫めっき済黄銅 PRE-TIN PHOS BRO	△175411-2
175412-1	錫めっき済黄銅 PRE-TIN BRASS	175411-1
バラ状・型番 LOOSE PIECE P/N	材料 MATERIAL	型番 P/N

WIRE RANGE 総合電線断面積 AWG #24~#20 INSULATION DIA 被覆外径  $\phi 1.02 \sim \phi 1.78$

THIS DRAWING IS A CONTROLLED DOCUMENT.		DWN	M.SUZUKI	27FEB08					
DIMENSIONS: 単位: 耗 mm		CHK	S.MANABE	27FEB08					
TOLERANCES UNLESS OTHERWISE SPECIFIED: 一般公差		APVD	S.MANABE	27FEB08					
0 PLC ± 0.2		NAME 名称							
1 PLC ± 0.25		PRODUCT SPEC							
2 PLC ± 0.3		製品規格							
3 PLC ± 0.3		108-5252							
4 PLC ±		APPLICATION SPEC							
ANGLES ± 3DEG		取付適用規格							
MATERIAL 材料 SHEE TABLE		WEIGHT 0.244g							
FINISH 仕上 SHEE TABLE		CUSTOMER DRAWING							
		SIZE	A3	CAGE CODE	00779	DRAWING NO 番号	G-175411	RESTRICTED TO	-
		SCALE 尺度 8:1		SHEET 1 OF 1		REV F2			



110SERIES POSITIVE LOCK REC. CONTACT