

Wire to Board Connectors AMP Dynamic Series Connectors



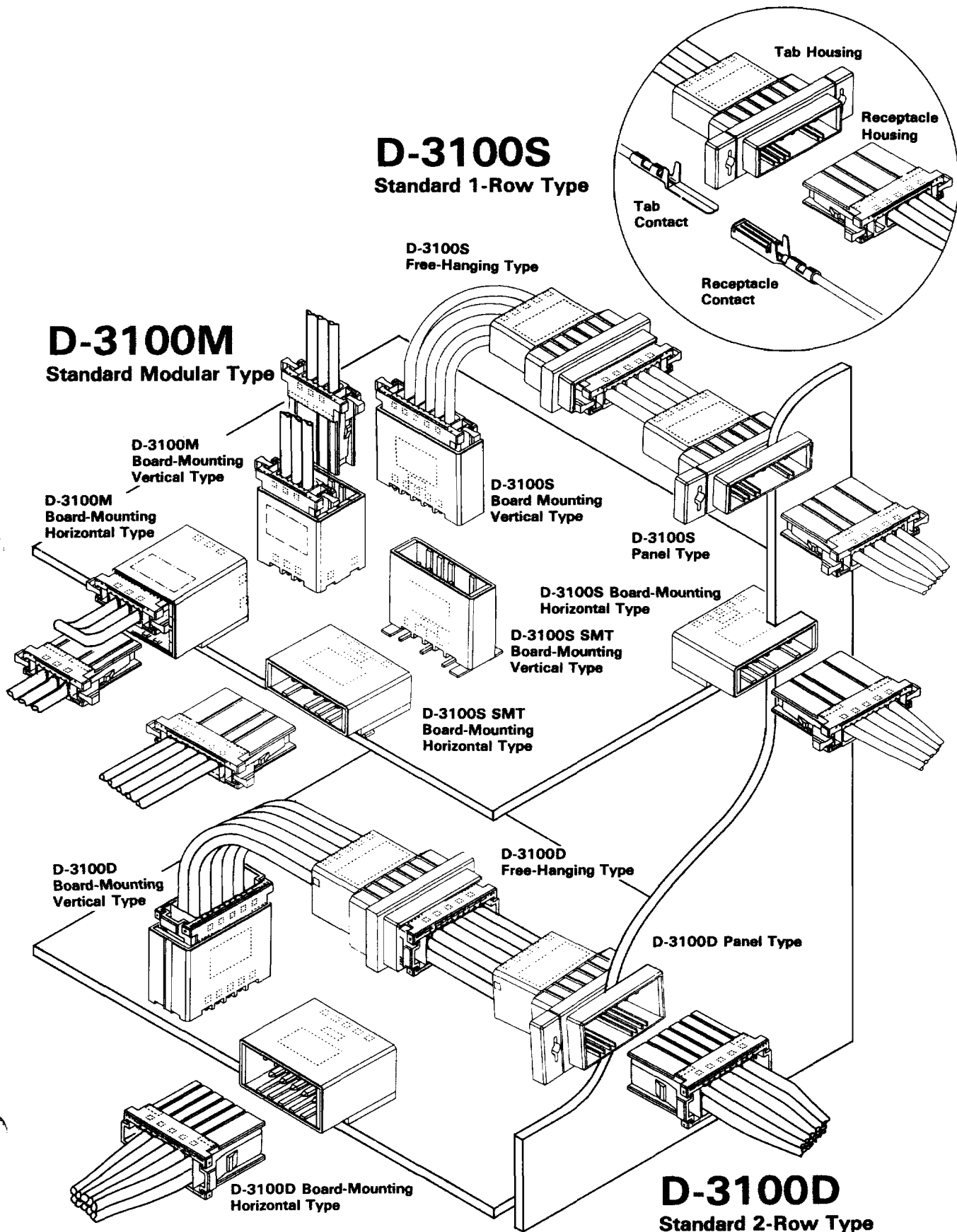
Features

- Connector system designed for exclusive use with I/O and power circuits in the power and control boards of heavy electric systems and FA equipment, process computers, FA computers, PCs, NCs, servodrivers, servomotors, inverters, switching power supply, etc.
- Consists of wire-side connector and board-side connector.
- Diverse housings are available to meet every specific application.
- With contacts standardized, the tool types used can be reduced. Termination can be automated and field maintenance simplified.
- As contacts can be shared, connector quality is stabilized.
- Standardization of contacts leads to stabilization of management and supply of related parts.
- To prevent human errors in termination a common identification mark is impressed on handtools and contacts.
- Housing color and design are coordinated.

Wire to Board Connectors

AMP Dynamic Series Connectors/D-3000 Series

List of Dynamic Series Products by Application



Wire to Board Connectors
AMP Dynamic Series Connectors/D-3000 Series
List of Dynamic Series Products by Application

D-3200M
High Pressure
Modular Type

D-3200M
Board-Mounting
Vertical Type

D-3200M
Board-Mounting
Horizontal Type

D-3200S
Drawer Type

D-3200S
High Pressure
1 Row Type

D-3200S
Board-Mounting
Vertical Type

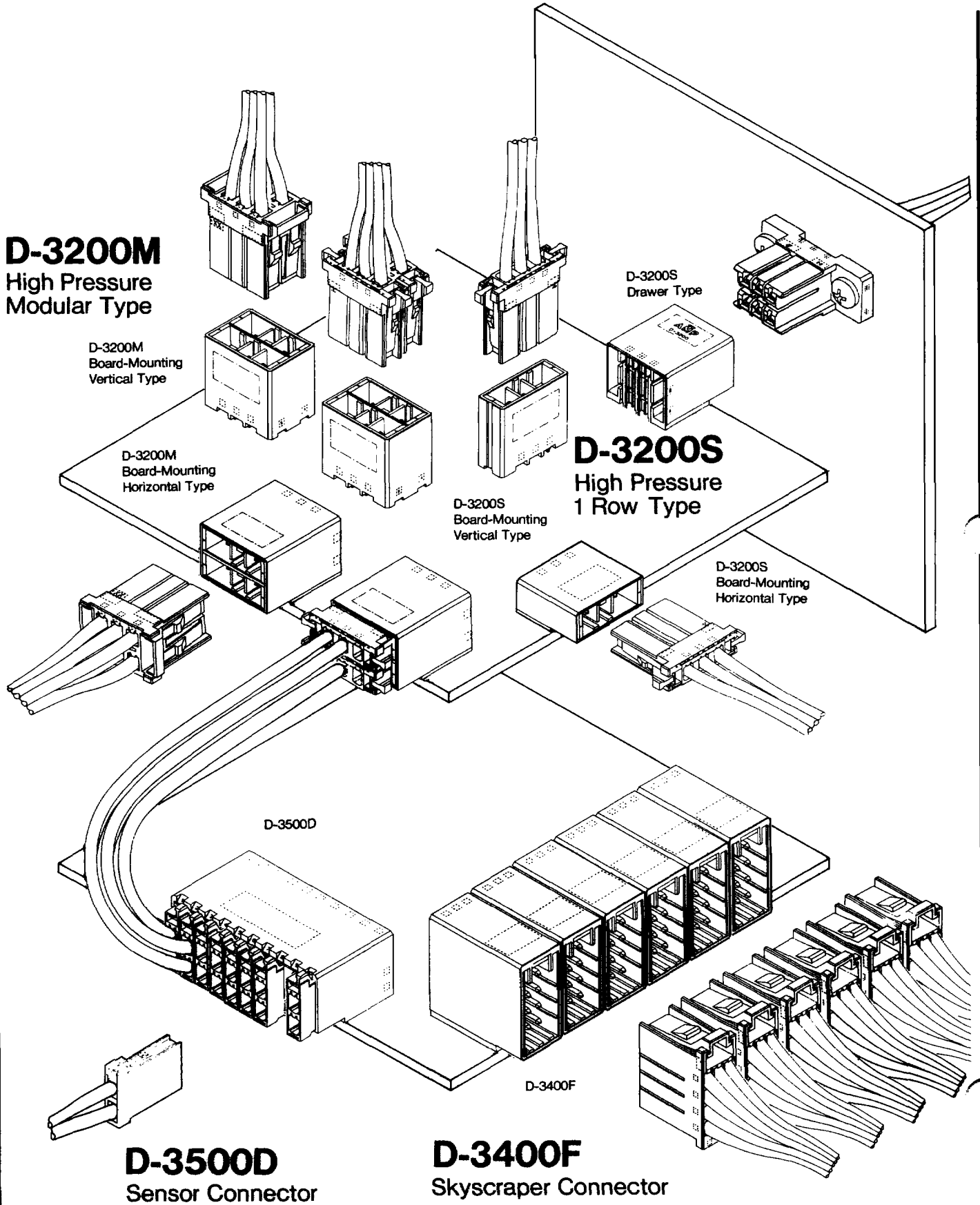
D-3200S
Board-Mounting
Horizontal Type

D-3500D

D-3500D
Sensor Connector

D-3400F

D-3400F
Skyscraper Connector



Wire to Board Connectors AMP Dynamic Series Connectors/D-3000 Series Performance Specifications

Item	Pitch	150mil (3.81mm)	200mil (5.08mm)
	Voltage Rating		250V AC
Current Rating		1-position: 15A 3-position: 12A 6-position: 10A 16-position: 8A (when using #16 AWG wire)	
Insulation Resistance		10mΩ max.	
Dielectric Withstanding Voltage		1,500V	2,200V(1minute)
Operating Temperature		-55~+105°C	

Generally, the current value of connector is shown as per position. The current rating of this product is 15A as shown in the table. Note that in all circumstances it is the value per position.

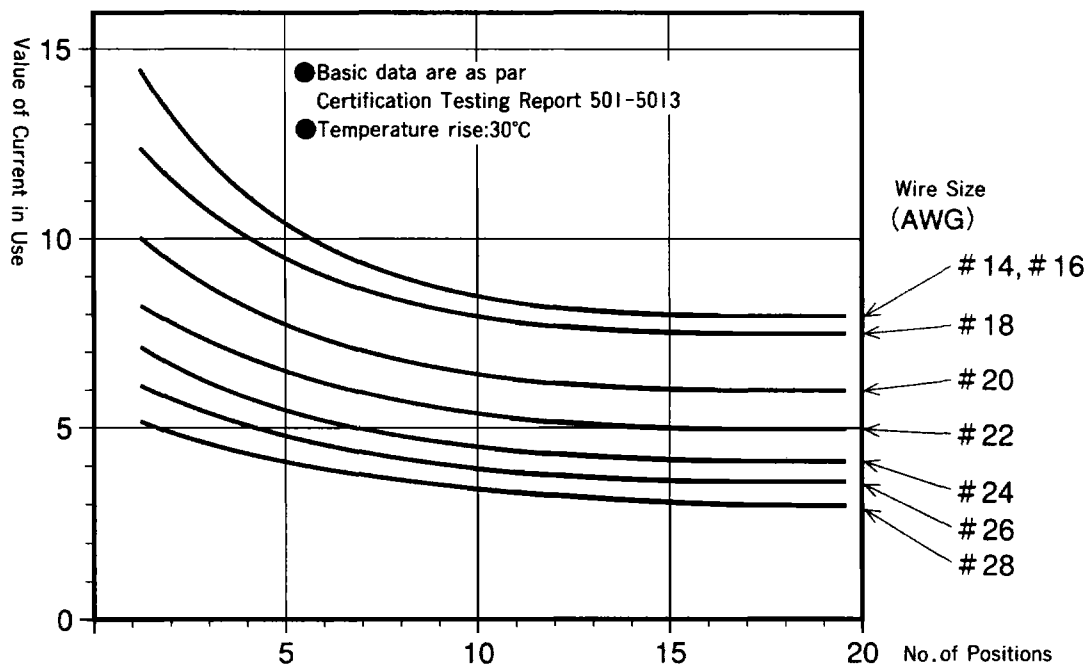
As the number of positions increases, this value decreases. This decrease can be calculated from the table and the current curve shown in the graph below.

Example:

● With a 6-position connector, 10A of current per position or a total of 60A(max) can be carried as shown in the table.

● With a 10-position connector, 8.5A of current per position or a total of 85A(max) can be carried as indicated by dotted lines in the graph below.

Number of Position vs Current Curve (reference)



Material and Finish

Description	Material	Finish
Receptacle contact Tab contact	Copper alloy	Bright tin plating and gold plating
Tab post	Copper alloy	Solder plating and gold plating
Housing	UL94V-0 rated glassfiber rein-forced polyester (PBT) 66 Nylon and PPS (SMT Type), liquid crystal polymer (Motor Connector), black color.	

4

**Wire to Board-Connectors
AMP Dynamic Series Connectors / D-3000 Series
Performance Specifications**

**Specifications and
Instruction Sheets**

Specifications and Instruction Sheets

Product Specification	108-5349
Testing Report	501-5013
Application Specification	114-5148
Instruction Sheet-Extraction Tool	411-5726

**Instruction Sheet-
Hand Tools**

Instruction Sheet-Manual Tools			
Tool No.	IS No.	Tool No.	IS No.
919600-1	411-5626	90682-1	408-9933
919601-1		90683-1	408-9935
919602-1		90684-1	408-9934
234172-1	411-5714	58571-1	408-4135
914592-2	411-5561(IS-561J)	58572-1	408-4132
914595-2	411-5562(IS-562J)		
914596-3	411-5585(IS-585J)		

*Don't fail to obtain Instruction Sheets when you choose to use these tools.

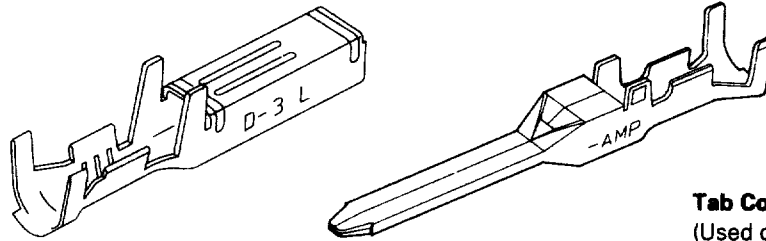
Safety Specifications

The safety specifications listed below are approved on specific part numbers. Contact our Sales Department to check if the part numbers you use are approved or not. Keep in mind that there are instances where values differ from those given by AMP Specifications.

Series	D-3100,D-3400 Series(3.81mm pitch)			D-3100, D-3400 Series (3.81mm pitch)		
	Current Rating	Voltage Rating	Temperature Rating	Current Rating	Voltage Rating	Temperature Rating
AMP Specifications 108-5349	250V AC	See page 583	- 55 to +105°C	600V AC (Signal conn.)	See page 583	- 55 to +105°C
UL File No.E28476 (Recognized Component)	Determind by requirements of equipment in use.	Determind by requirements of equipment in use	+130°C	Determind by requirements of equipment in use.	Determind by requirements of equipment in use	+130°C
CSA Report No. LR7189	250V AC	8A max.	—	250V AC	8A max.	—
TÜV License N0. R9151488(VDE0627) IP Protection IP-00 Ivoltage Classification(II) Number of Repeated Insertions and Withdrawals 50	200V AC	AWG #28= 2A AWG #26= 3A AWG #24= 3A AWG #22= 4A AWG #20= 5A AWG #18= 6A AWG #16= 8A AWG #14= 8A	- 20 to +105°C	400V AC	AWG #28= 2A AWG #26= 3A AWG #24= 3A AWG #22= 4A AWG #20= 5A AWG #18= 6A AWG #16= 8A AWG #14= 8A	- 20 to +105°C

Wire to Board Connectors
AMP Dynamic Series Connectors / D-3000 Series
D-3 Contact and Application Tooling

■ **Crimp Type**



Receptacle Contact
(Used on Receptacle Housing)

Tab Contact
(Used on Tab Housing)

Wire Range	Wire Ins. Diameter	Wire Range Mark	Contact Part Number			Minimum Order Quantity for Contact (pieces)	Application Tooling Part Number			
			Receptacle Contact		Tab Contact		Mini-Applicator	Hand Tool		
AWG	mm ²		Standard contact	High contact pressure				Standard Type	Economy Type(I)	Economy Type(II) (Dies*)
28	0.08	S	ST. 175194 - □	1-175194 - □	175284 - □	4,000	914347-2	—	—	—
26	0.12		LP. 175216 - □	1-175216 - □	175287 - □	1,000	—	919600-1	914592-2	90682-1 (90682-2)
24	0.20	M	ST. 175195 - □	1-175195 - □	175285 - □	3,500	914348-2	—	—	—
22	0.30		LP. 175217 - □	1-175217 - □	175288 - □	1,000	—	919601-1	914595-2	90683-1 (90683-2)
20	0.50	L	ST. 175196 - □	1-175196 - □	175286 - □	3,000	919547-2	—	—	—
18	0.85		LP. 175218 - □	1-175218 - □	175289 - □	1,000	—	919602-1	914596-2	90684-1 (90684-2)
16	1.25	2L	ST. 917484 - □	1-917484 - □	917485 - □	3,000	234157-2	—	—	—
14	2.20		LP. 917511 - □	1-917511 - □	917512 - □	1,000	—	234172-1	—	—

Note: *Enter the following plating code in Part Number suffix-□:

- 2 = 0.38 μ m thick gold plating
- 3 = 0.76 μ m thick gold plating
- 5 = Tin plating

*Solder-type Contact : We do not manufacture solder-type contacts for any specific application. However, for your information, the soldering method using the above-listed crimp contacts is given as one-point advice, see page 588.

*Minimum order quantity is provided. When ordering, specify your requirements by multiplying the quantity. (The figures for Strip Form Contacts denote one-reel's quantities).

*Minimum order quantity for tooling is one.

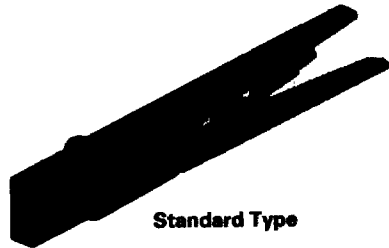
*Mini-Applicators are for use with automachines. (See page 587. For more information, contact our Sales Department).

*Strip Form contacts are for use with Mini-Applicators (automachines) and Loose-Piece contacts are for Hand tools.

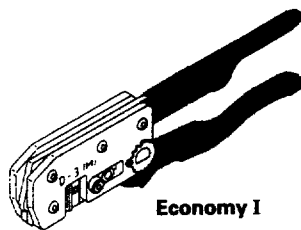
■ **Hand Tools**

Three types of hand tool are available; Standard Type for general production and Economy Type (I) and (II) for low-volume production and maintenance. The crimping sections of both Standard Type and Economy Type (I) tools adopt Straight-Action formula for improved reliability as with automatic termination machines. Economy (II) tool is a low-cost version for use in prototyping and

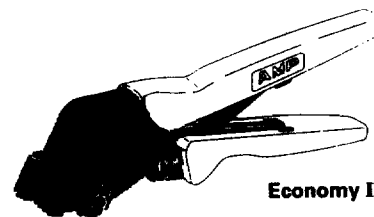
servicing. The die section can be changed for this Economy (II) Tool. Also, by changing dies, you can use the tool as FA tool (for right-hand use) as described in page 586, or to crimp other lines of contacts from our company. For detailed information, see the catalog of AMP Pro-Crimper (II) hand tools.



Standard Type



Economy I



Economy II

Uses	For General Production	For Low-Volume Production	For Prototyping
Can it be used for tool repairing ?	Yes	No	No
Approximately how many times of crimping can be performed ?	More than 50,000	More than 5,000	More than 5,000
What is Minimum Order Quantity?	1	1	1



Wire to Board Connectors AMP Dynamic Series Connectors / D-3000 Series Application Tooling

FA Hand Tool

FA hand tool is designed to be capable of handling most of FA-related crimping operation by a single tool in order to simplify harness fabrications suited to the specific needs of FA market. It may be said that the equipment forming the nucleus of the FA system include PCs, CNCs, servo-drivers and servomotors. And the wire used in connecting these equipment ranges in wire size from AWG#26-20 which applies to signal circuits to AWG #18-16 which is for power circuits (See Sketch below).

To crimp such wide-ranging wire sizes with existing contacts and tools, S, M, and L. Isn't it possible to perform this operation with a single tool? Devised to satisfy such demand is this handtool to be exclusively used for FA application.

**Two types of contacts, M and L, are used. M is applicable to an expanded range of AWG #26-20 in place of usual AWG #24-20, while L covers an reduced range of AWG #18-16 in place of AWG #20-16. Combined, an extended range AWG#26-16 is covered. Also, though to less extent, insulation diameters for respective wire sizes have been changed. This is to meet specifications in the area of FA applications as much as possible. It is recommended that you use these contacts upon chcking with the table below. Also, this tool is available in two styles as shown below, one for left-hander's use (dextral) and the other for right-hander's use (sinistral). Use whichever fits to you.

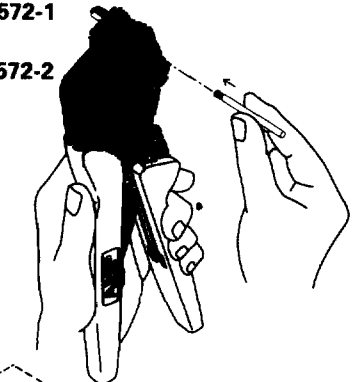
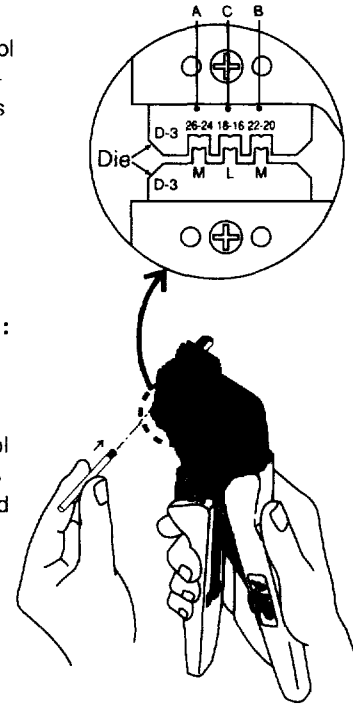
Crimping Range A, B, and C are for explanation purpose only and

are not marked on the tool body. Also, note that left-hander's tool has tool has the mark indicated in reverse (mirror image).

For right-hander's use P / N :
58571-1 (sinistral)
Die P / N : 58571-2

The body of right-hander's tool has the same configuration as that of Economy Type (II) and Pro-Crimper II (See Pro-Crimper Catalog). So dies are interchangeable. For left-hander's

For right-hander's use P / N : 58572-1
(dextral)
Die P / N : 58572-2



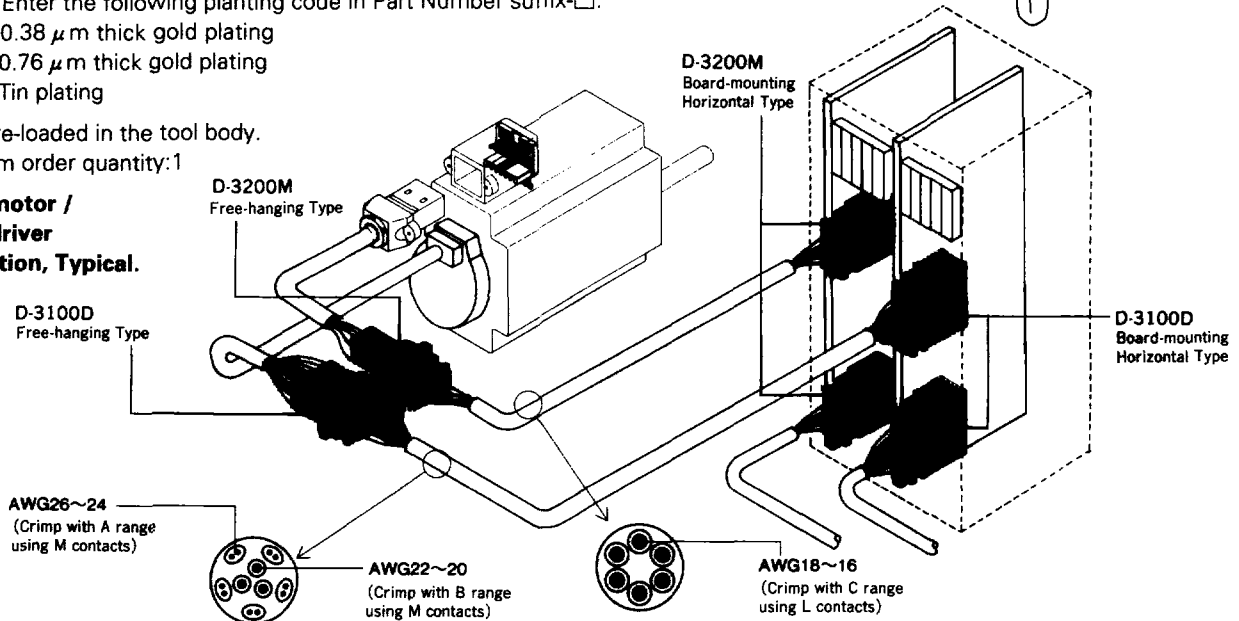
Wire Range AWG	Wire Ins. mm ²	Wire Range Diameter	Wire Range Mark	Contact Part Number			Minimum Order Quantity for Contact (pieces)	Crimping Range
				Receptacle Contact		Tab Contact		
				Standard contact (Gold plate only)	High contact pressure			
26 24	0.12 0.20	0.8-1.3	M	175217 - □	1-175217 - □	175288 - □	1,000	A
22 20	0.30 0.50	1.1-1.6						B
18 16	0.75 1.25	1.9-2.8	L	175218 - □	1-175218 - □	175289 - □	1,000	C

Note: *Enter the following planting code in Part Number suffix-□.

- 2 = 0.38 μm thick gold plating
- 3 = 0.76 μm thick gold plating
- 5 = Tin plating

Die is pre-loaded in the tool body.
Minimum order quantity:1

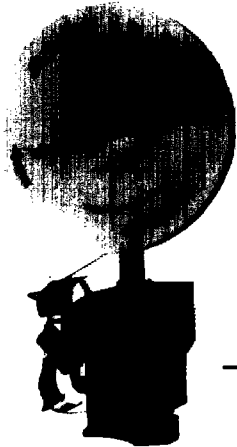
**Servo-motor /
Servo-driver
Application, Typical.**



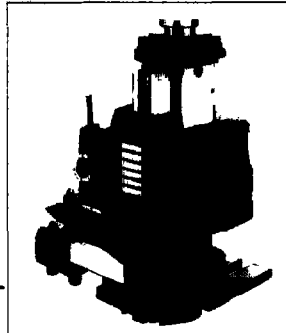
Wire to Board Connectors
AMP Dynamic Series Connectors / D-3000 Series
Application Tooling

■AMP-O-LECTRIC* Terminating Machine (Model JJ-1)

(Automatic Termination Machine)



Mini-Applicator
 Minimum Quantity: 1



See page 585 for
 Mini-Applicator Part Number

- Remodelled from conventional AMP-O-LECTRIC machines, this bench-type unit features low noise during operation and compact and light weight in construction. It enables speedy and efficient operation.
- A range of existing applicators can be used without modification.
- Press Tact Time is 0.5 second, providing high-quality crimping.
- Crimping capacity is 1t with this machine as against conventional machines' 1.5t.
- In conjunction with AMP applicators, it can produce more than 6,000 high-quality terminations per hour.
- Stable operation is ensured by simple clutch mechanism of proven reliability.
- Deviation of crimp heights is $\pm 0.02\text{mm}$. Crimp heights can be set easily.

- Dimensions: 250mm W x 300mm D x 450mm H
- Weight: 63kg
- Power supply: 100V AC
- Noise level : 78dBA
- Applicable wire range : AWG #28-14

Machine body Part Number: 914717-1

■AMP-O-LECTRIC G Terminator

(Semi-Automatic Termination Machine)

- Extraordinarily low noise-76 dB.
- Precise adjustment of crimp heights can be done automatically or manually.
- No tool is required for changing applicators.
- Equipped with total and lot counters(LED Multi-Display).
- CQM (Crimp Quality Monitor)can be loaded.

- Dimensions: 643mm W x 442mm D x 508mm H
- Weight: 110kg
- Power supply: 100V AC 50 / 60Hz
- Cycle time: 5,000 cycles / hour max.

Machine body Part Number: □-354500-□.

See page 585 for Mini-Applicator Part Number.



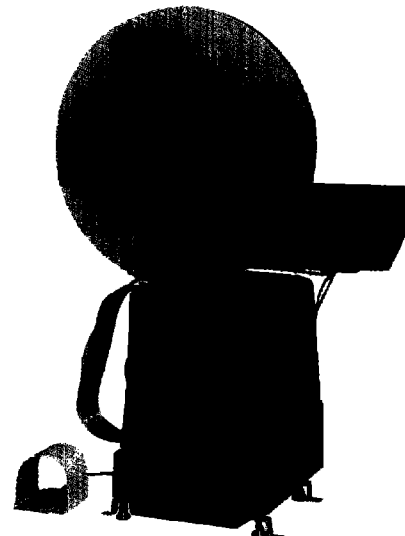
■AMP-O-MATIC Side Feed Stripper Crimper Mode II

(Semi-Automatic Termination Machine)

- An improved version of the preceding model that has been popular for its superb performance in wire stripping and high-speed processing of jacketed cable for external connection. Features increased productivity, easier operation and expanded applications.
- Used for automated fabrication of harness assemblies using D sub-connectors for external connection, a slim version of AMPLIMITE II-J connector.
- Fine adjustment of crimp heights to be kept within the specifications is easy through precise adjustment mechanism.
- Dimensions: 355mm W x 457mm D x 838mm H
- Weight: 68kg
- Power supply: 120V AC 50 / 60Hz, 5A
- Air supply: 80-100 psi
- Machine cycle time: 1.3 sec
- Applicable wire range : AWG #28-14 (jacketed cable and discrete wire)

Machine body Part Number: 854040-3

854040-4 equipped with CQM(Crimp Quality Monitor)
 For Mini-Applicators, contact our Sales Department.



4

**Wire to Board Connectors
AMP Dynamic Series Connectors / D-3000 Series
Application Tooling**

■ Battery-driven Power Crimping Tool

(used for Loose-Piece contacts)

- Battery-powered portable tool.
- Consists of the tool body, a battery, a recharger and crimping dies.

Tool Body Part Number : 752861-2

Instruction Sheet : IS 411-5166

Applicable Dies (See page 585 for contacts and applicable ranges)

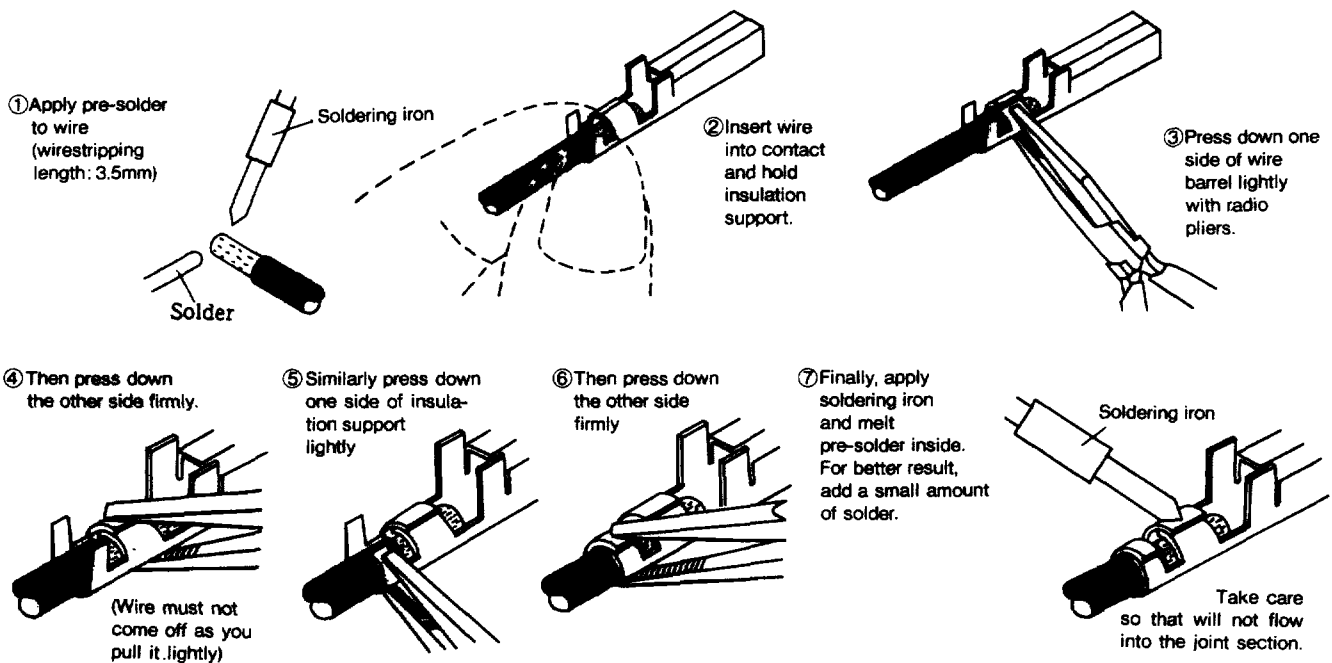
Contact Size	Crimping Dies P / N	Instruction Sheet No.
S	919597-1	IS 411-5624
M	939000-1	IS 411-5640
L	939001-1	IS 411-5641



We do not supply parts other than crimping dies. You can purchase batteries and rechargers from our authorised distributors Ryuden-sha Co. Ltd. and Nihon Denkakogyo Co. Ltd. For details, contact our Sales Department.

One-Point Advice

You may have experienced trouble with no crimping tool on hand while trying to work for prototype or maintenance. In such a case, we recommend that you solder in the following method :



**Wire to Board Connectors
AMP Dynamic Series Connectors/D-3000 Series
Application Tooling**

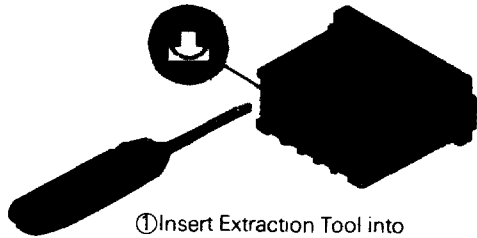
■ Extraction Tool

This tool is used to extract contacts from wire-type tab/receptacle housings.

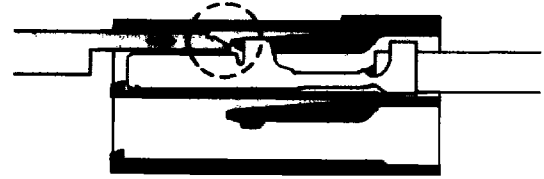


Part Number: **914677-1**
Minimum order lot: 1

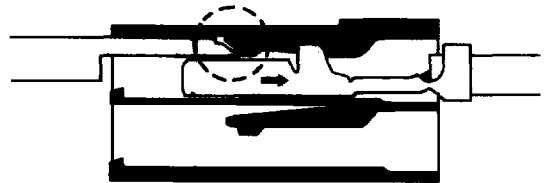
*Take care not insert into the Contact Section.
If you have inserted by error, replace the damaged contact with a new one before proceeding the work.



① Insert Extraction Tool into the narrow section of the upper convex cavity of housing in the direction as shown (Make sure the Tool's top and bottom in correct position.)



② The tip of Extraction Tool lifts up housing lance, making contact free.



③ Contact can now be pulled out.

■ Keying Plug

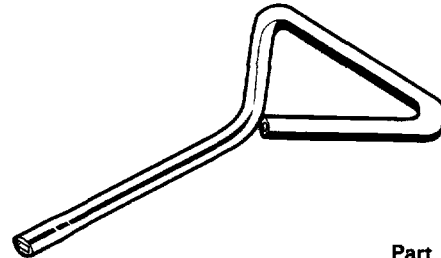
(used to prevent misinsertion)

Keying plug is used to preclude the possibility of contacts inserted in wrong directions when using connectors of the same size end-to-end.



Part Number: **175855-1**
Minimum order lot: 500

■ Tab Contact Cutting Jig



Part Number: **919041-1**
Minimum order lot: 1

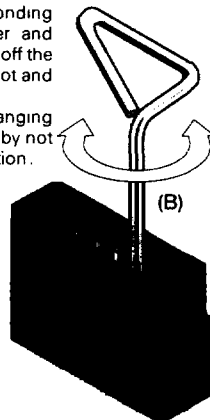
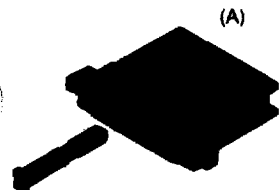
How To Use Plug and Jig

*Some of the products in this Series (D-3100S/D-3100M/D-3200S/D-3200M) are preloaded with keying plugs for preventing misinsertion.

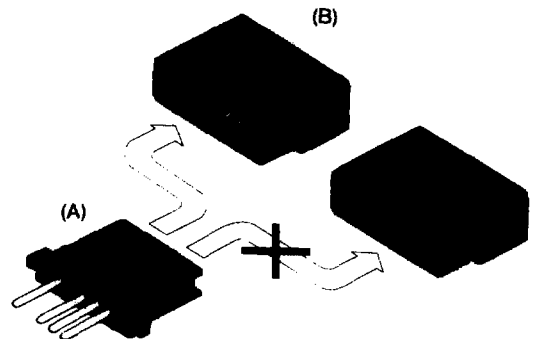
① Insert a keying plug in one position of receptacle Housing.

② Wrench off a tab in the corresponding position of mating Tab Header and empty that position. To wrench off the tab, insert Cutting Jig into its root and turn Jig as shown.

*For Tab housing (Panel/Free hanging Types), leaving Housing empty by not inserting a contact in one position.



③ This being done, contacts cannot be inserted in wrong directions.

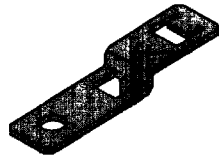


**Wire to Board Connectors
AMP Dynamic Series Connectors / D-3000 Series
Connector Mounting Hardware**

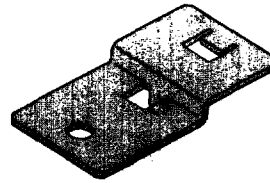
■ L Fittings

Used to secure free-hanging type tab housings onto panels. Two styles, large and small, are available, the former for large-size housings and the latter for small housings.

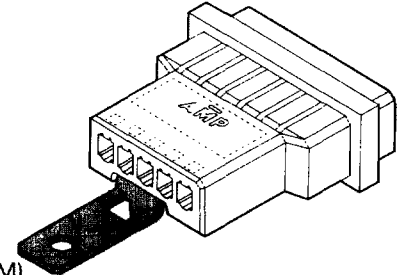
Applicable housings are specified in the table of housings.



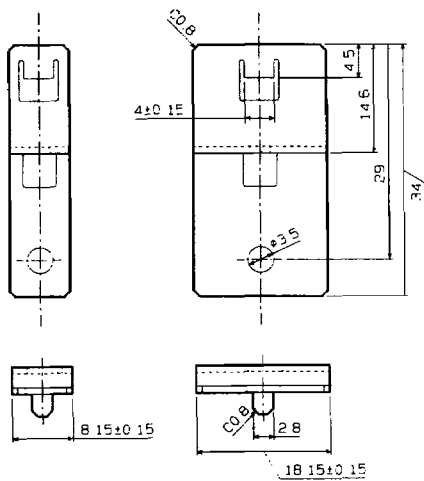
Part Number : 900121-2(S)
Minimum Order Quantity: 500



Part Number : 900121-4(M)
Minimum Order Quantity: 500

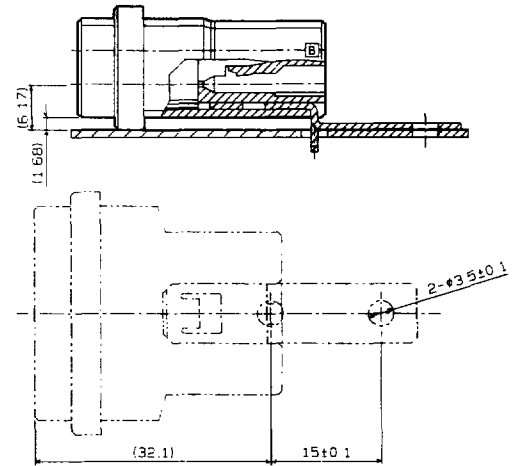
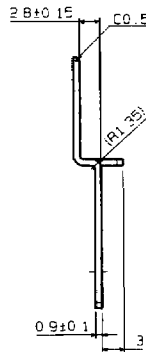


■ External Dimensions



P/N: 900121-2(S)

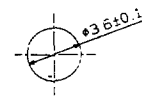
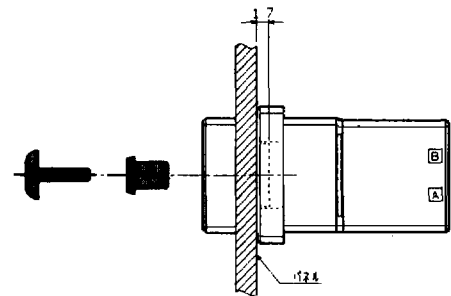
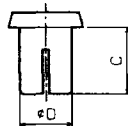
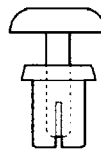
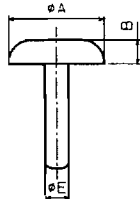
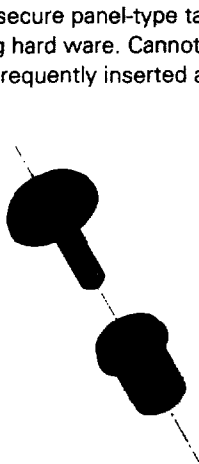
P/N: 900121-4(M)



The location where housing is attached varies by series and size. Check with sample.

■ Push Rivets

Used to secure panel-type tab housings onto panels (Use as a handy mounting hardware. Cannot be used with larger sized housings or those that are frequently inserted and withdrawn).



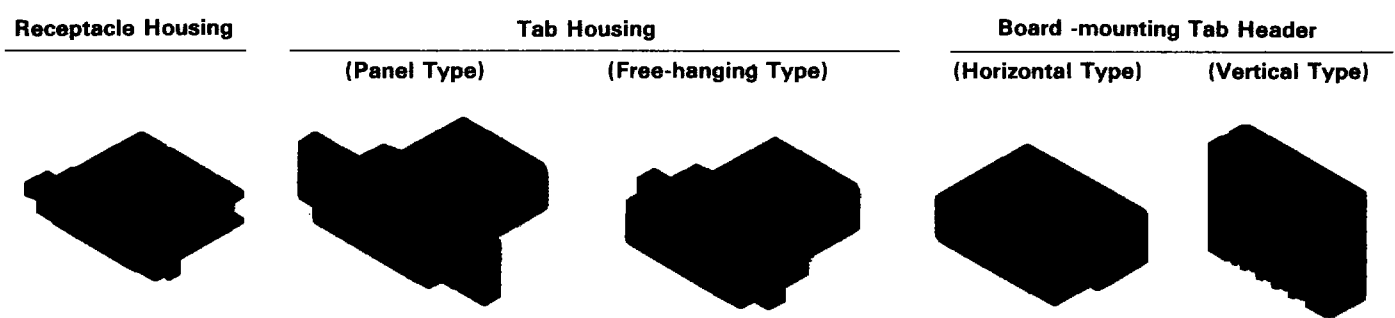
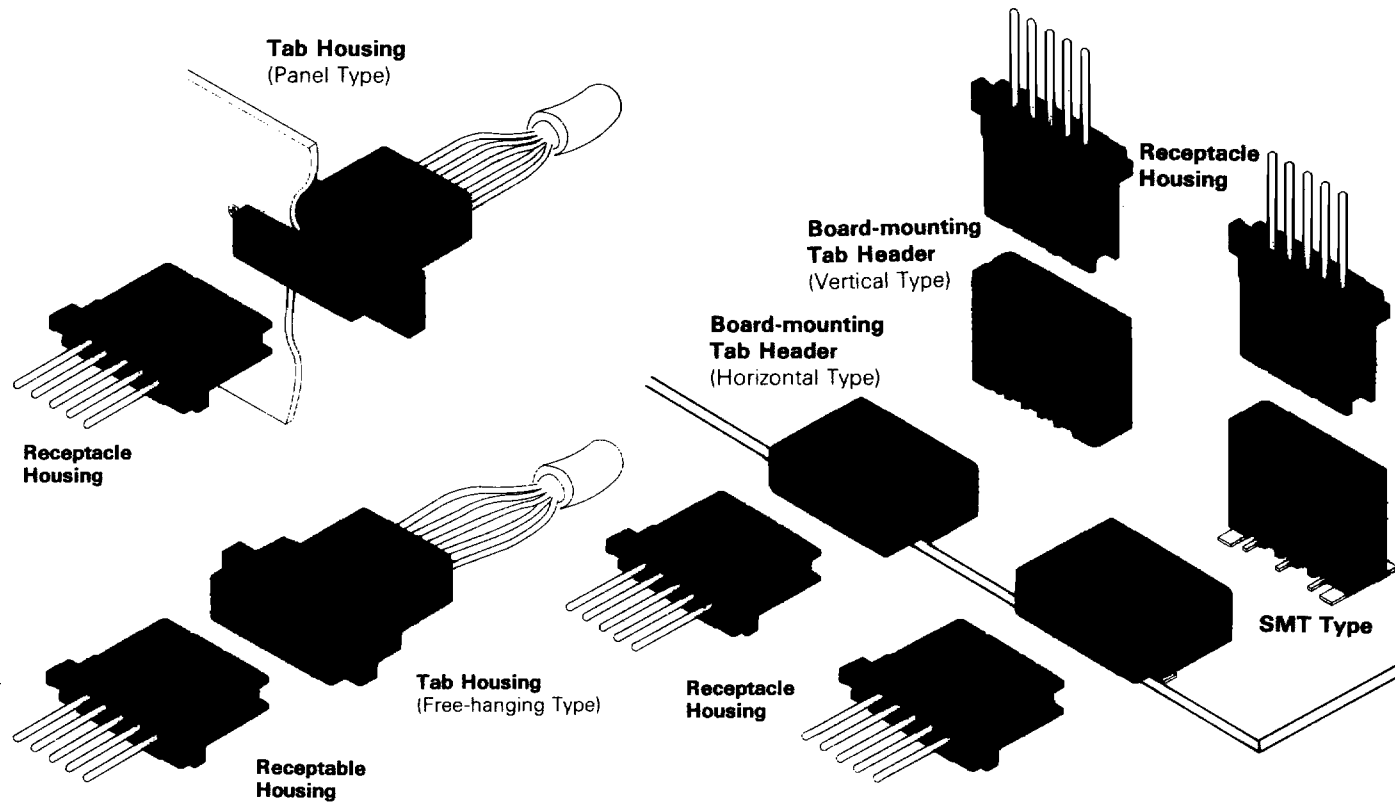
Recommended panel hole dimension

Part Number	Panel Thickness	Dimensions					Insertion Force	Retention Force	Minimum Order Quantity
		A	B	C	D	E			
900128-1	0.3-1.3	6.4	1.6	4.5	3.5	1.95	2-3kg	13kg Min. *	1,000
100128-2	1.3-2.3	6.4	1.6	5.5	3.5	1.95	2-3kg	13kg Min. *	1,000
100128-3	2.8-3.8	6.4	1.6	7.0	3.5	1.95	2-3kg	13kg Min. *	1,000

*When 2 push rivets are used.

Wire to Board Connectors AMP Dynamic Series Connectors/D-3000 Series D-3100S—Standard 1-row Type

Appearance Board mounting pitch: Horizontal Type 150 mils(3.81mm)/Vertical Type 150 mils(3.81mm) Dielectric Withstanding Voltage=1,500 V(for one minute) Voltage Rating=250V AC



No. of Position	Keying	Receptacle Housing	Tab Housing			Board-mounting Tab Header		Minimum Order Lot
			Panel Type	Free-hanging Type	L Fitting	Horizontal Type	Vertical Type	
2	See D-3200S Series							
3	X	1-178288-3* ¹	1-178802-3	1-177648-3	S	1-178293 -□	1-178313 -□	230
	Y	2-178288-3* ²	2-178802-3	2-177648-3	S	2-178293 -□	2-178313 -□	
4	X	1-178288-4	—	—	S	1-178294 -□	1-178314 -□	190
	Y	2-178288-4	—	—	S	2-178294 -□	2-178314 -□	
5	X	1-178288-5* ³	1-178802-5	1-177648-5	M	1-178295 -□	1-178315 -□	170
	Y	2-178288-5	—	—	M	2-178295 -□	2-178315 -□	
6	X	1-178288-6	—	—	M	1-178296 -□	1-178316 -□	150
	Y	2-178288-6	—	—	M	2-178296 -□	2-178316 -□	
8	X	1-178288-7* ⁴	1-178802-7	1-177648-7	M	1-178297 -□	1-178317 -□	120
	Y	2-178288-7	2-178802-7	2-177648-7	M	2-178297 -□	2-178317 -□	
10	X	1-178288-8	1-178802-8	1-177648-8	M	1-178298 -□	1-178318 -□	100
	Y	2-178288-8	2-178802-8	2-177648-8	M	2-178298 -□	2-178318 -□	

Note: * Enter the following plating codes in □ after Part Numbers:
 -2: 0.38μm thick gold plating
 -3: 0.76μm thick gold plating
 -5: Solder plating

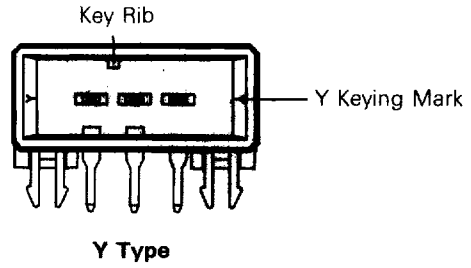
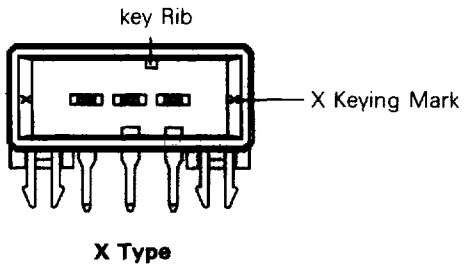
* *1, *3 and *4 can be used as SMT Type Receptacle Housing.
 *1 and *2 can also be used in modular configuration in combination with D-3100M Tab Header.



Wire to Board Connectors
AMP Dynamic Series Connectors/D-3000 Series
D-3100S—Standard 1-row Type

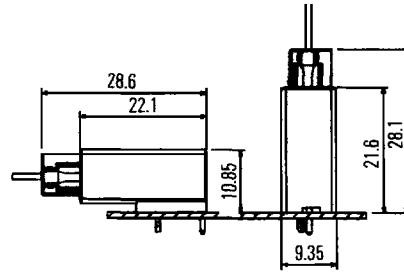
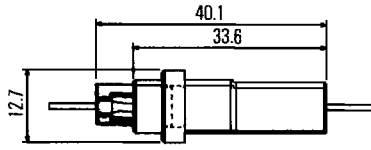
keying

This product (D-3100S) is provided with keying plugs to prevent misinsertion of contacts. Two types are available; X Type and Y Type (Shown below is the mating front of Tab Header)

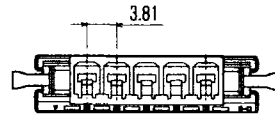


Wire to Board Connectors AMP Dynamic Series Connectors/D-3000 Series D-3100S—Standard 1-row Type

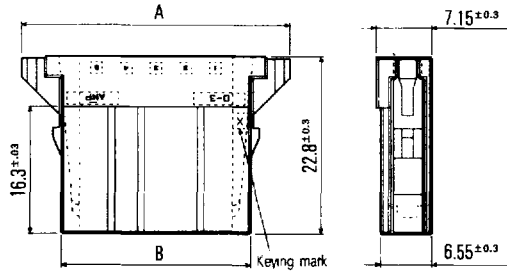
■ Mating Dimensions



■ Receptacle Housing

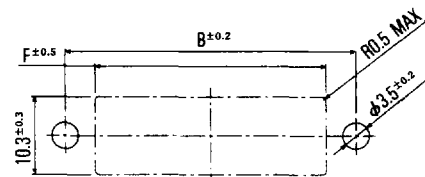
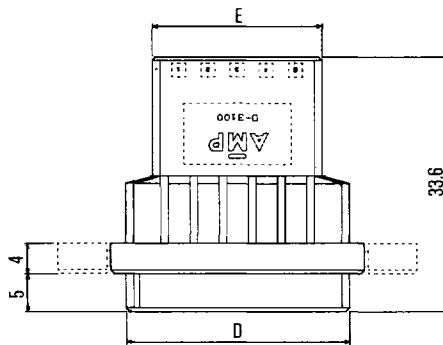
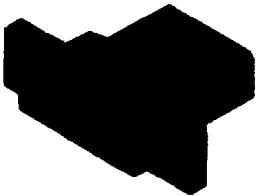


No. of Pos.	Part Number	Dimensions	
		A	B
2	—	—	—
3	□-178288-3	26.76	16.7
4	□-178288-4	30.57	20.51
5	□-178288-5	34.38	24.32
6	□-178288-6	38.19	28.13
8	□-178288-7	45.81	35.97
10	□-178288-8	53.43	43.37



■ Board-mounting Tab Housing

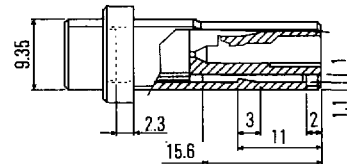
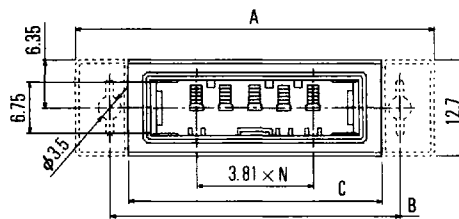
Panel Type



Panel Cutout

When mounting panel from the rear, either apply clamping torque of less than 3kg, or use washers.

Free-hanging Type

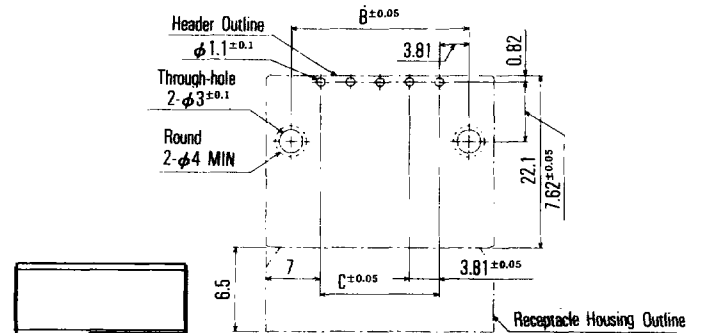
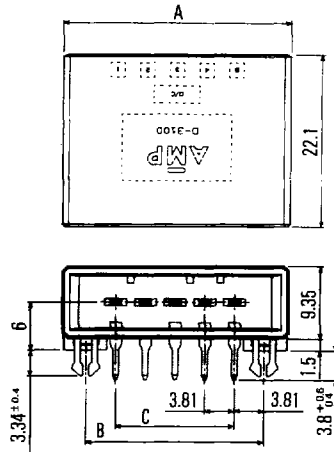
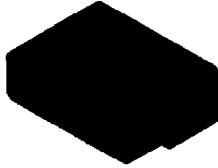


No. of Pos.	Part Number		Dimensions					
	Panel Type	Free-hanging Type	A	B	C*	D	E	F
2	—	—	—	—	—	—	—	—
3	□-178802-3	□-177648-3	40	31	25.57	21.62	14.62	22.6
4	—	—	—	—	—	—	—	—
5	□-178802-5	□-177648-5	47	38	33.19	29.24	22.24	30.2
6	—	—	—	—	—	—	—	—
8	□-178802-7	□-177648-7	59	50	44.62	40.67	33.67	41.6
10	□-178802-8	□-177648-8	67	58	52.24	48.29	41.29	49.2

*Applicable to Free-hanging Type only.

Wire to Board Connectors
AMP Dynamic Series Connectors/D-3000 Series
D-3100S—Standard 1-row Type

■ **Board-mounting Tab Header (Horizontal Type)**

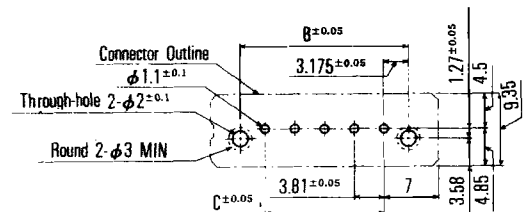
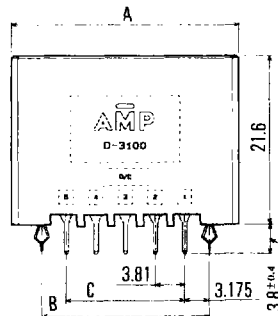


PC Board Layout
 Acceptable Board Thickness:
 1.6–2.4±0.1

Solder tine section is 1.0 sq.

No. of Pos.	Part Number	Dimensions		
		A	B	C
2	—	—	—	—
3	□-178293-□	21.62	15.24	7.62
4	□-178294-□	25.43	19.05	11.43
5	□-178295-□	29.24	22.86	15.24
6	□-178296-□	33.05	26.67	19.05
8	□-178297-□	40.67	34.29	26.67
10	□-178298-□	48.29	41.91	34.29

■ **Board-mounting Tab Header (Vertical Type)**



PC Board Layout
 Acceptable Board Thickness:
 1.6–2.4±0.1

Solder tine section is 1.0 sq.

No. of Pos.	Part Number	Dimensions		
		A	B	C
2	—	—	—	—
3	□-178313-□	21.62	13.97	7.62
4	□-178314-□	25.43	17.78	11.43
5	□-178315-□	29.24	21.59	15.24
6	□-178316-□	33.05	25.4	19.05
8	□-178317-□	40.67	33.02	26.67
10	□-178318-□	48.29	40.64	34.29

Wire to Board Connectors
AMP Dynamic Series Connectors/D-3000 Series
D-3100S—Standard SMT Type

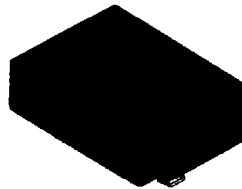
Appearance Withstanding Voltage=1,500 V(for one minute) Voltage Rating=250V AC

Receptacle Housing

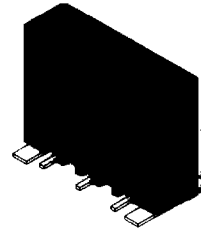


Board-mounting Tab Header

(Horizontal Type)



(Vertical Type)



Part Number Chart

No. of Pos.	Keying	Receptacle Housing	Board-mounting Tab Header		Minimum Order Lot
			Horizontal Type	Vertical Type	
3	X	1-178288-3	—	—	230
5	X	1-178288-5	1-177662-□**	1-177665-□	170
8	X	1-178288-7	1-179188-□	—	120

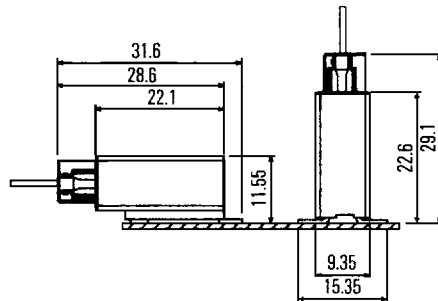
Note: * Enter the following plating codes in -□ after Part Numbers:

- 2: 0.38μm thick gold plating
- 3: 0.76μm thick gold plating

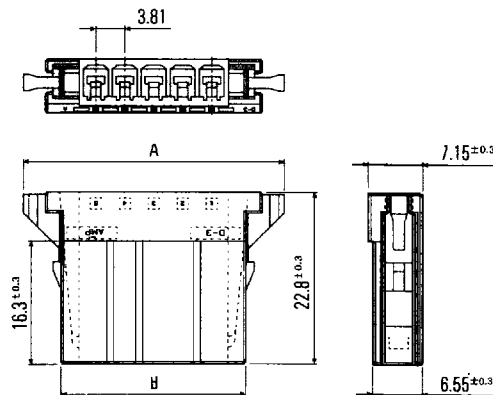
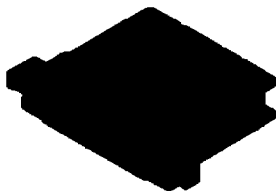
* Material of Tab Header: P.P.S.

* D-3100S series. ** 160 pieces minimum lot.

Mating Dimensions



Receptacle Housing

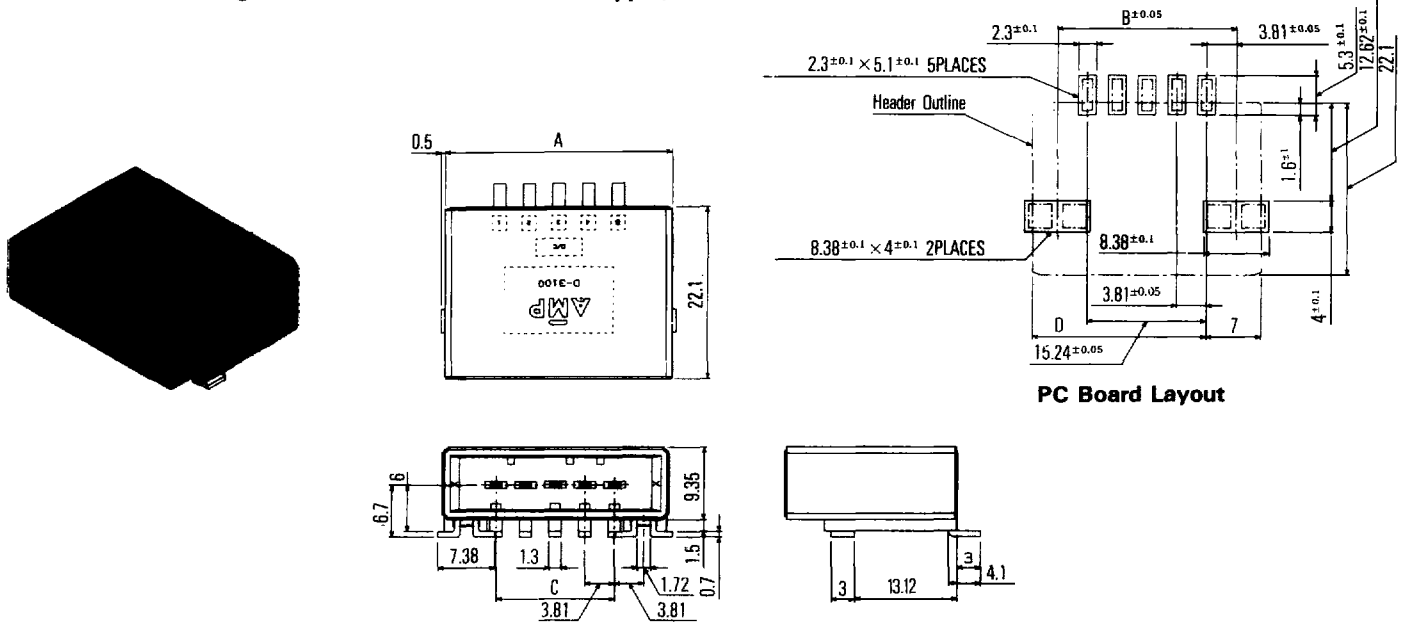


No. of Pos.	Part Number	Dimensions	
		A	B
3	□- 178288-3	26.76	16.7
5	□- 178288-5	34.38	24.32
8	□- 178288-7	45.81	35.97



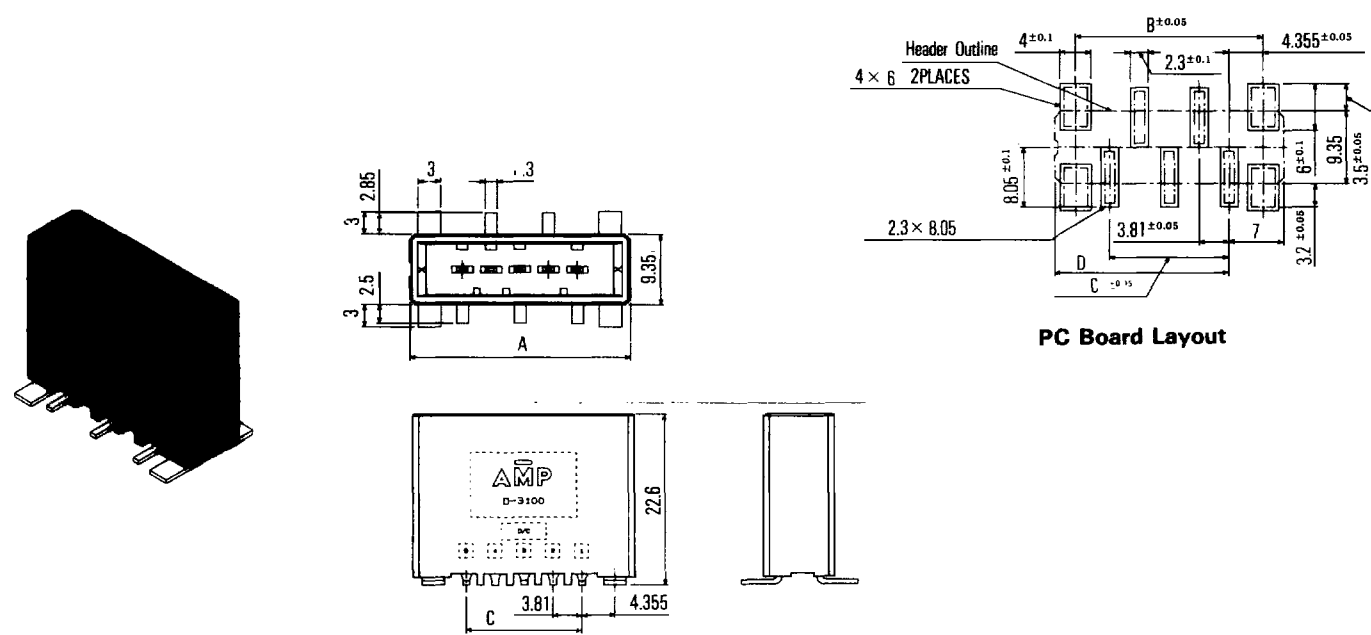
Wire to Board Connectors
AMP Dynamic Series Connectors/D-3000 Series
D-3100S—Standard SMT Type

■ **Board-mounting Tab Header (Horizontal Type)**



No. of Pos.	Part Number	Dimensions			
		A	B	C	D
3	—	—	—	—	—
5	□-177662-□	29.24	22.86	15.24	22.24
8	□-179188-□	40.67	34.29	26.67	33.67

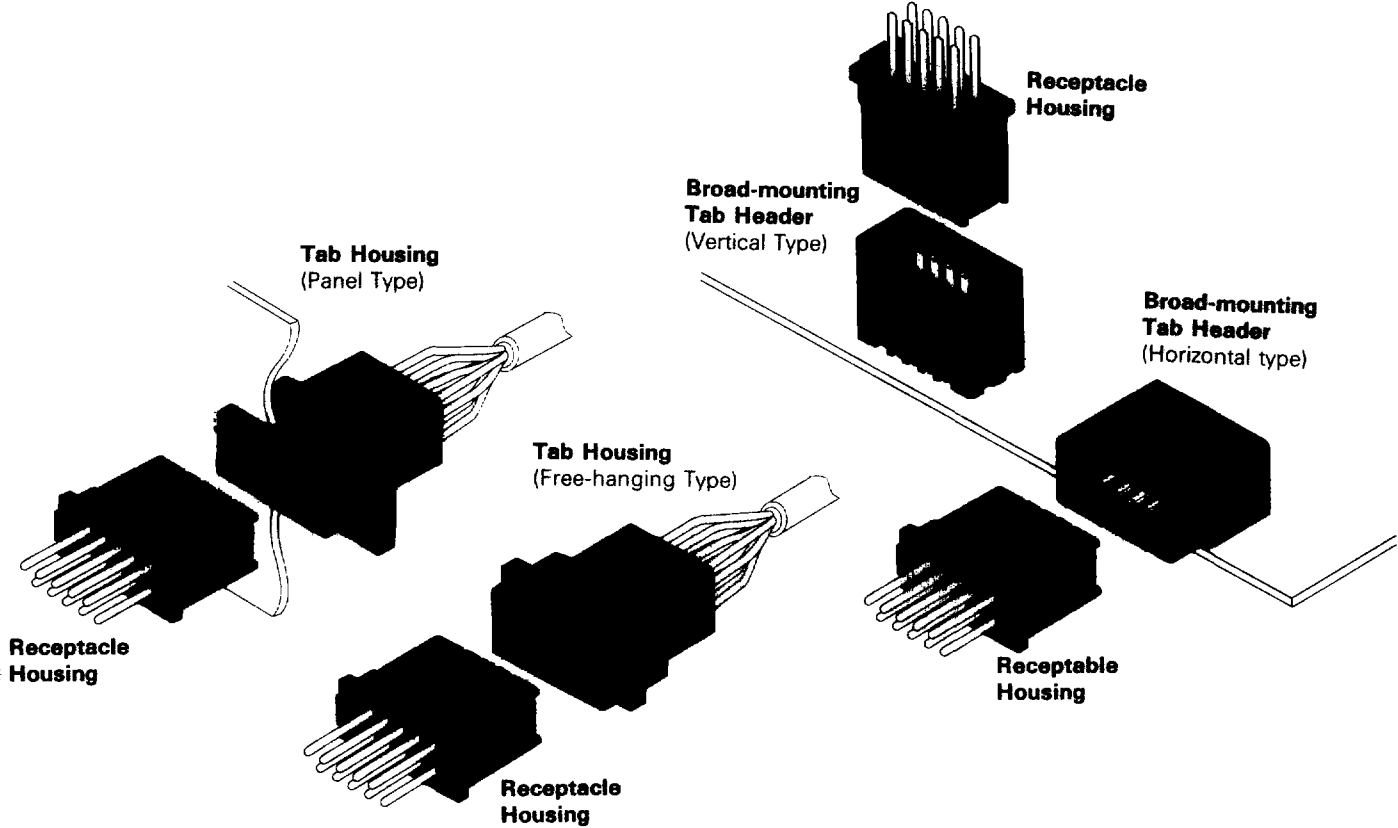
■ **Board-mounting Tab Header (Vertical Type)**



No. of Pos.	Part Number	Dimensions			
		A	B	C	D
3	—	—	—	—	—
5	□-177665-□	29.24	23.95	15.24	22.24
8	—	—	—	—	—

Wire to Board Connectors
AMP Dynamic Series Connectors/D-3000 Series
D-3100D—Standard 2-row Type

Appearance Board mounting pitch: Horizontal Type 150 mils(3.81mm)/Vertical Type 150 mils(3.81mm)
 Dielectric Withstanding Voltage=1,500V (for one minute) Voltage Rating=250V AC



Receptacle Housing

Tab Housing

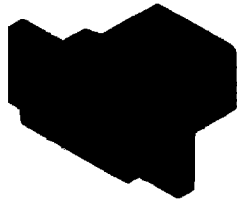
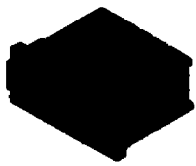
Broad-mounting Tab Header

(Panel Type)

(Free-hanging Type)

(Horizontal Type)

(Vertical Type)



Part Number Chart

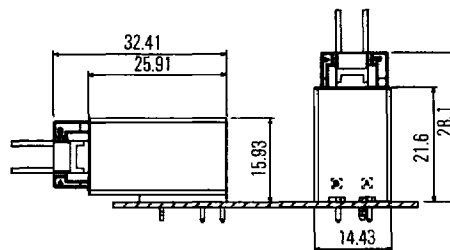
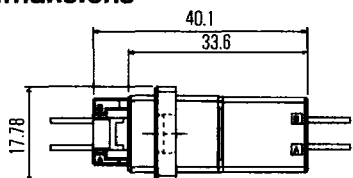
No. of Pos.	Receptacle Housing	Tab Housing			Board-mounting Tab Header		Minimum Order Lot
		Panel Type	Free-hanging Type	L Fitting	Horizontal Type	Vertical Type	
4	—	—	—	S	—	—	280
6	178289-3	178803-3	178964-3	S	178303-□	178323-□	230
8	—	—	—	S	—	—	190
10	178289-5	178803-5	178964-5	M	178305-□	178325-□	170
12	178289-6	178803-6	178964-6	M	178306-□	178326-□	150
16	178289-7	178803-7	178964-7	M	178307-□	178327-□	120
20	178289-8	178803-8	178964-8	M	178308-□	178328-□	100

Note: * Enter the following plating codes in -□ after Part Numbers
 -2: 0.38 μm thick gold plating
 -3: 0.76 μm thick gold plating
 -5: Solder plating

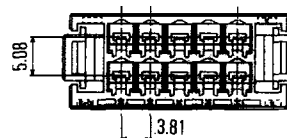
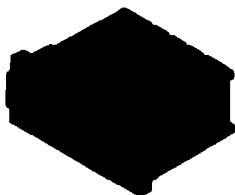
4

**Wire to Board Connectors
AMP Dynamic Series Connectors/D-3000 Series
D-3100D—Standard 2-row Type**

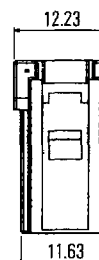
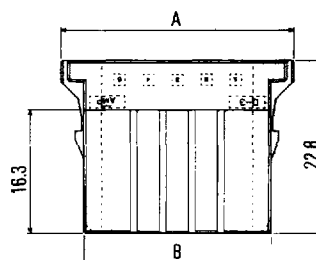
Mating Dimensions



Receptacle Housing

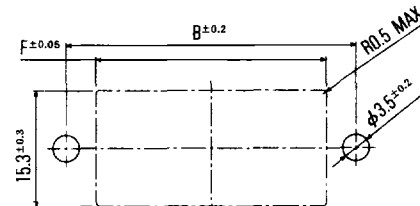
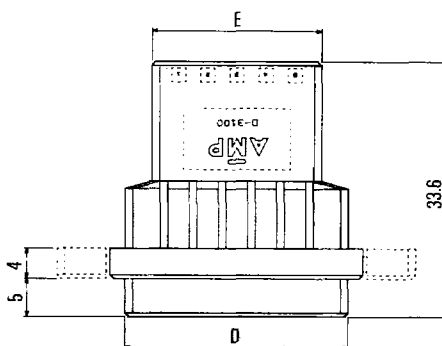
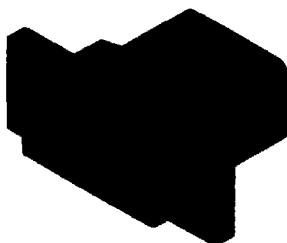


No. of Pos.	Receptacle Housing	Dimensions	
		A	B
4	—	—	—
6	178289-3	24.66	16.70
8	—	—	—
10	178289-5	31.98	24.32
12	178289-6	35.09	28.35
16	178289-7	42.71	35.97
20	178289-8	51.03	43.37



Tab Housing

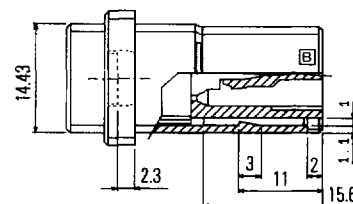
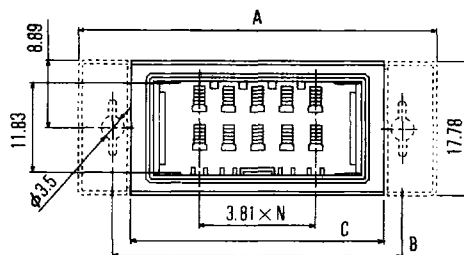
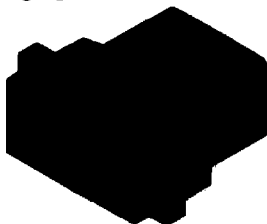
Panel Type



Panel Cutout

When mounting panel from the rear, either apply clamping torque of less than 3kg, or use washers.

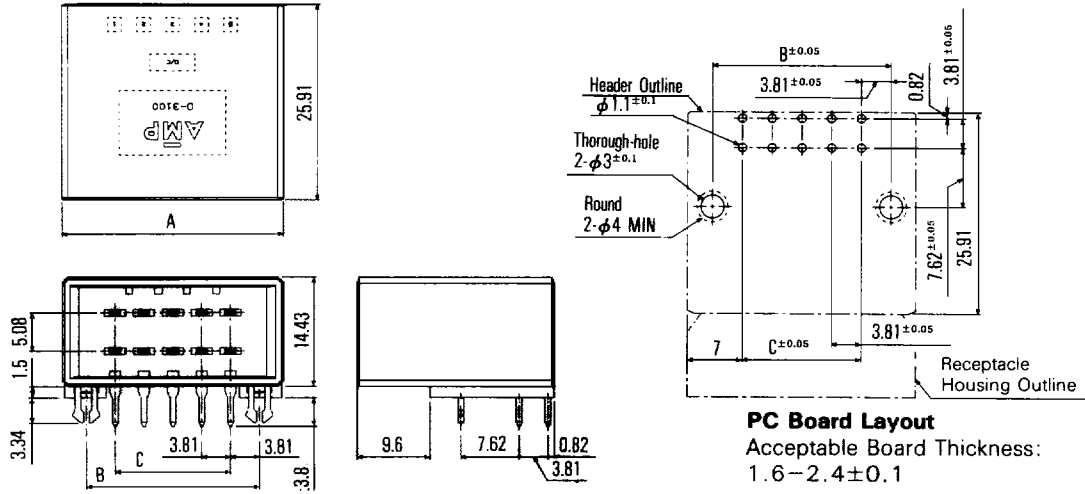
Free-hanging Type



No. of Pos.	Part Number		Dimensions					
	Panel Type	Free-hanging Type	A	B	C	D	E	F
4	—	—	—	—	—	—	—	—
6	178803-3	178964-3	40	31	25.57	21.62	14.62	22.6
8	—	—	—	—	—	—	—	—
10	178803-5	178964-5	47	38	33.19	29.24	22.24	30.2
12	178803-6	178964-6	51	42	37.00	33.05	26.05	34.0
16	178803-7	178964-7	59	50	44.62	40.67	33.67	41.6
20	178803-8	178964-8	67	58	52.62	48.29	41.29	49.2

Wire to Board Connectors AMP Dynamic Series Connectors/D-3000 Series D-3100D—Standard 2-row Type

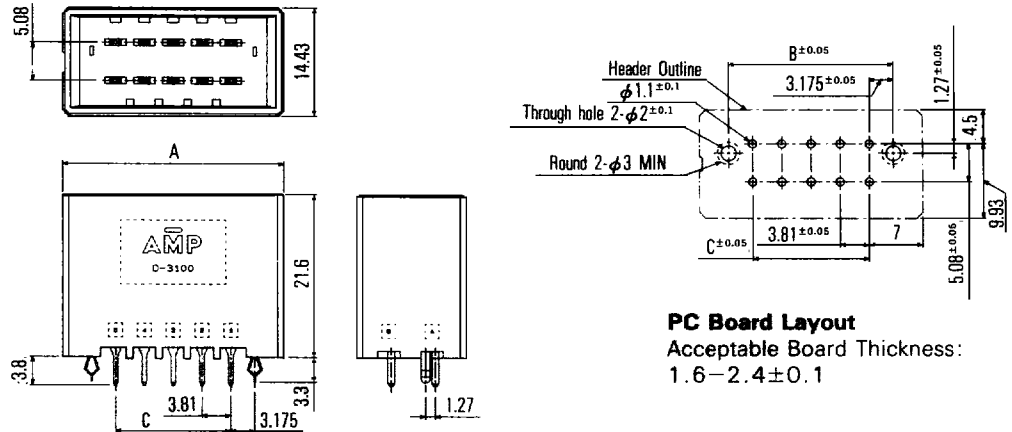
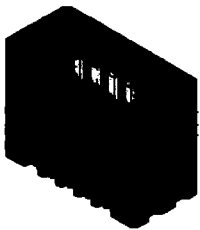
■ Board-mounting Tab Header (Horizontal Type)



PC Board Layout
Acceptable Board Thickness:
1.6–2.4±0.1

No. of Pos.	Part Number	Dimensions		
		A	B	C
4	—	—	—	—
6	178303-□	21.62	15.24	7.62
8	—	—	—	—
10	178305-□	29.24	22.86	15.24
12	178306-□	33.05	26.67	19.05
16	178307-□	40.67	34.29	26.67
20	178308-□	48.29	41.91	34.29

■ Board-mounting Tab Header (Vertical Type)



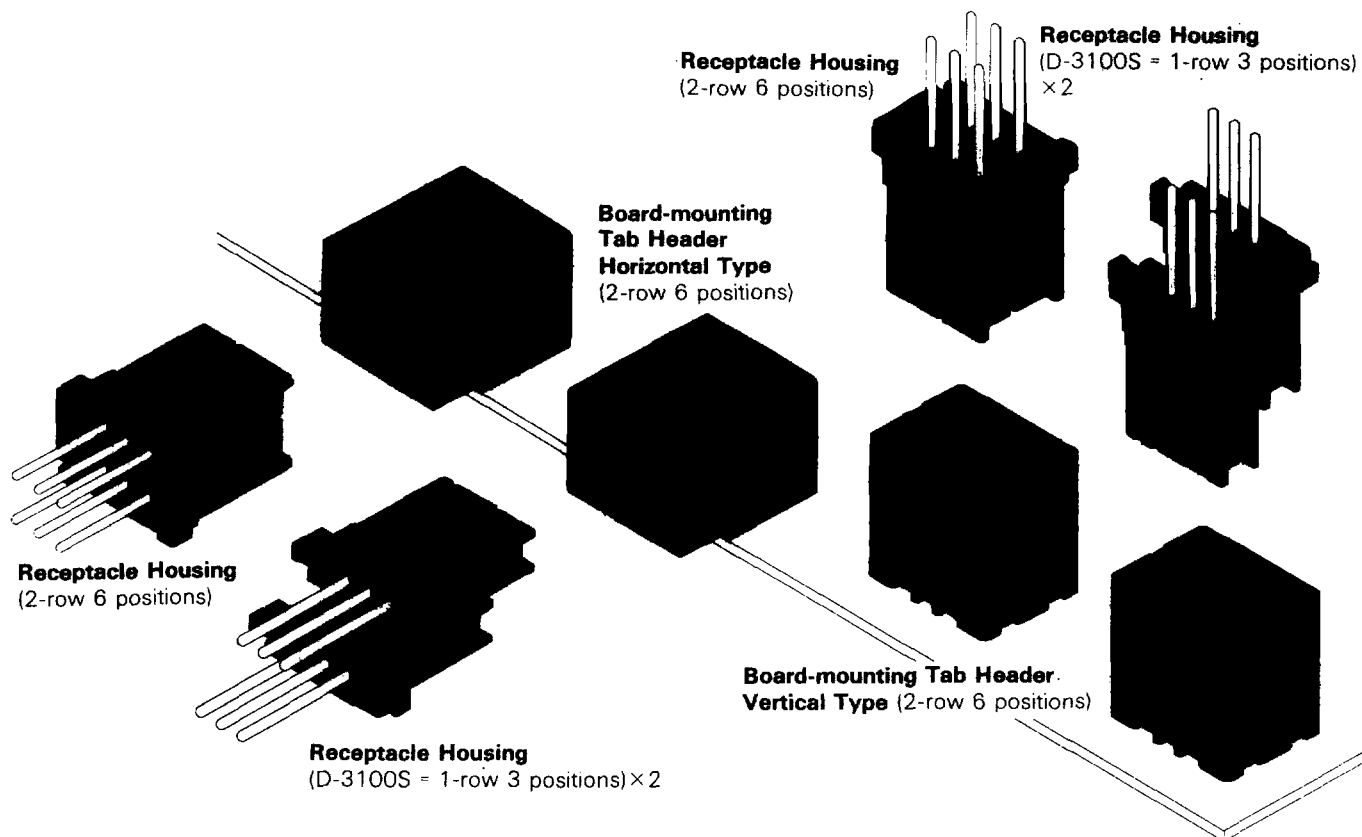
PC Board Layout
Acceptable Board Thickness:
1.6–2.4±0.1

No. of Pos.	Part Number	Dimensions		
		A	B	C
4	—	—	—	—
6	178323-□	21.62	13.97	7.62
8	—	—	—	—
10	178325-□	29.24	21.59	15.24
12	178326-□	33.05	25.4	19.05
16	178327-□	40.67	33.02	26.67
20	178328-□	48.29	40.64	34.29

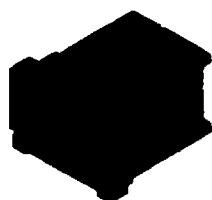
4

Wire to Board Connectors AMP Dynamic Series Connectors/D-3000 Series D-3100M—Modular Type

Appearance Connectors Can Be Used in Modular Configurations In Combination With D-3100S.
Ideally Suited For Allocation of Signal Circuits
Board mounting pitch: Horizontal Type 150×150mils (3.81×3.81mm) /
Vertical Type 150×300mils (3.81×7.62mm)
Dielectric Withstanding Voltage = 1,500V (for one minute) Voltage Rating = 250V AC

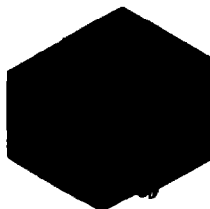


Receptacle Housing



Board-mounting Tab Header

(Horizontal Type)



(Vertical Type)



Part Number Chart

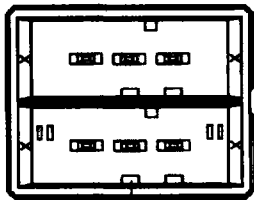
No. of Pos.	Keying	Receptacle Housing	Board-mounting Tab Header		Minimum Order Lot
			Horizontal Type	Vertical Type	
6	XX	—	1-178137-□	1-178141-□	230
	YY	—	2-178137-□	—	230
	XY	3-178127-6	3-178137-□	3-178141-□	230

Note: * Enter the following plating codes in -□ after Part Numbers:
-2: 0.38 μm thick gold plating
-3: 0.76 μm thick gold plating
-5: Solder plating

Wire to Board Connectors
AMP Dynamic Series Connectors/D-3000 Series
D-3100M—Modular Type

keying

This product (D-3100M) is provided with keying to prevent mismatching of connector halves. Keying is available in three types — XX Type, YY Type and XY Type. (Shown below is the mating surface of Tab Header).



Keying Mark

Key Rib

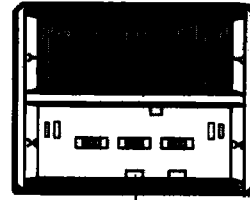
XX Type



Keying Mark

Key Rib

YY Type










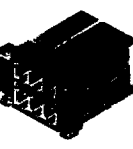

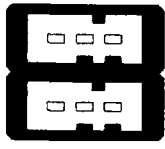
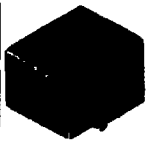


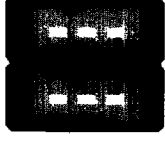
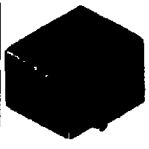

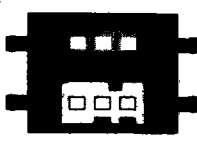
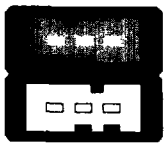




Keying mark

Key Rib

XY Type

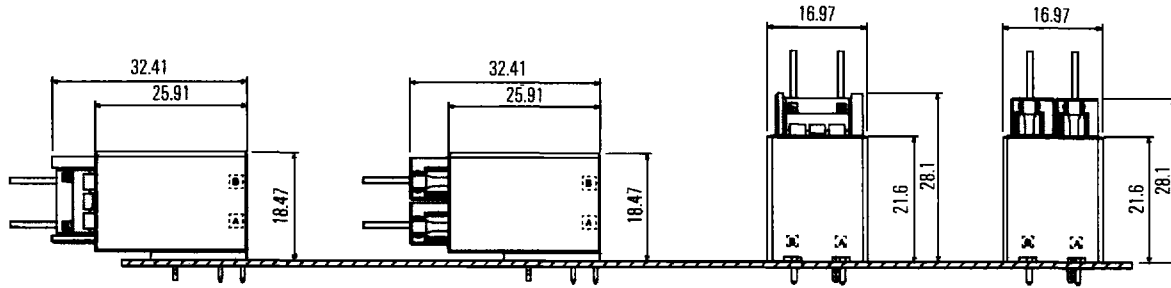
Table of Mating Combination

1 Row 2 Positions (D-3100-S)  *	X Type P/N: 1-178288-3			1 Row 3 Positions (D-3100S) 	X Type P/N: 1-178293-□	1 Row 3 Positions. (D-3100S) 	X Type P/N: 1-178313-□
	Y Type P/N: 2-178288-3				Y Type P/N: 2-178293-□		Y Type P/N: 2-178313-□
2 Rows 6 Positions 	XX Type			2 Rows 6 Positions 	XX Type P/N: 1-178137-□	2 Rows 6 Positions 	XX Type P/N: 1-178141-□
	YY Type				YY Type P/N: 2-178137-□		YY Type
	XY Type P/N: 3-178127-6				XY Type P/N: 3-178137-□		XY Type P/N: 3-178141-□

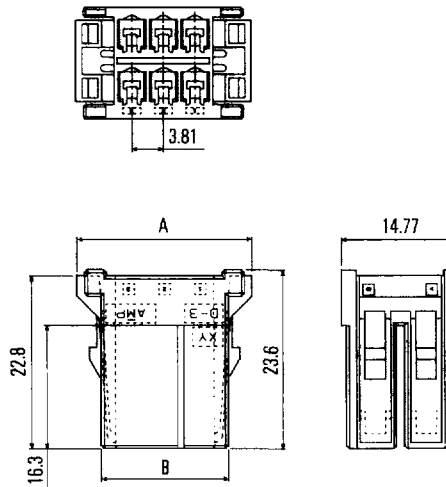
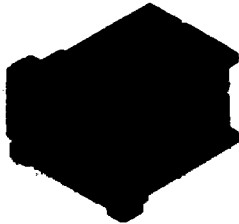
The housing with asterisk(*) same as D-3100S series.

**Wire to Board Connectors
AMP Dynamic Series Connectors/D-3000 Series
D-3100M—Modular Type**

Mating Dimensions



Receptacle Housing



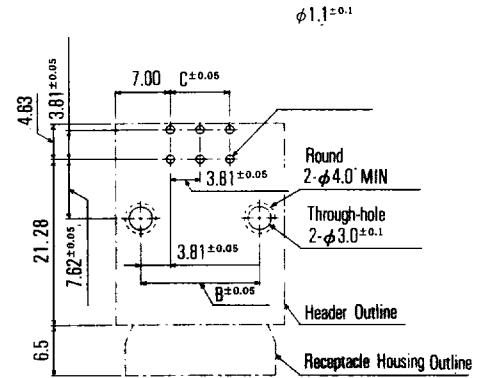
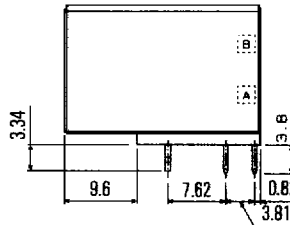
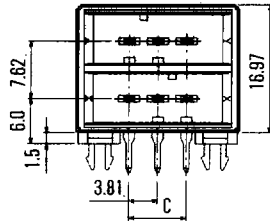
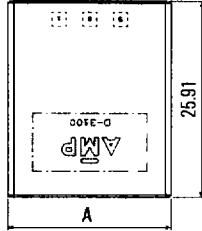
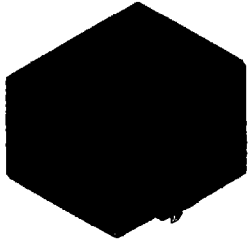
No. of Pos.	Keying	Part Number	Dimensions	
			A	B
6	XY	3-178127-6	24.76	16.7

Notice:

Although external or mounting dimensions are described on the catalog, the specifications are subject to change. When selecting products to your requirements, please request the appropriate drawings. Product Specifications, Instruction Sheets, etc., are also available. It is recommended that you request these documents as well.

Wire to Board Connectors
AMP Dynamic Series Connectors/D-3000 Series
D-3100M—Modular Type

■ **Board-mounting Tab Header (Horizontal Type)**

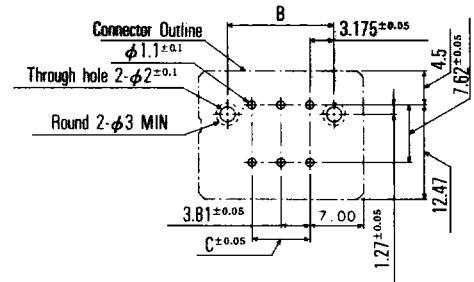
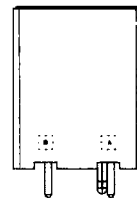
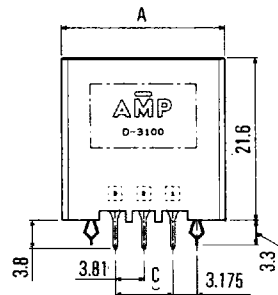
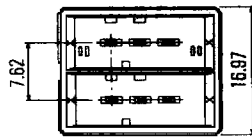


PC Board Layout
 Acceptable Board Thickness:
 1.6-2.4±0.1

Solder tine section is 1.0 sq.

No. of Pos.	Keying	Part Number	Dimensions		
			A	B	C
6	XX	1-178137-□	21.62	15.24	7.62
	YY	2-178137-□			
	XY	3-178137-□			

■ **Board-mounting Tab Header (Vertical Type)**



PC Board Layout
 Acceptable Board Thickness:
 1.6-2.4±0.1

Solder tine section is 1.0 sq.

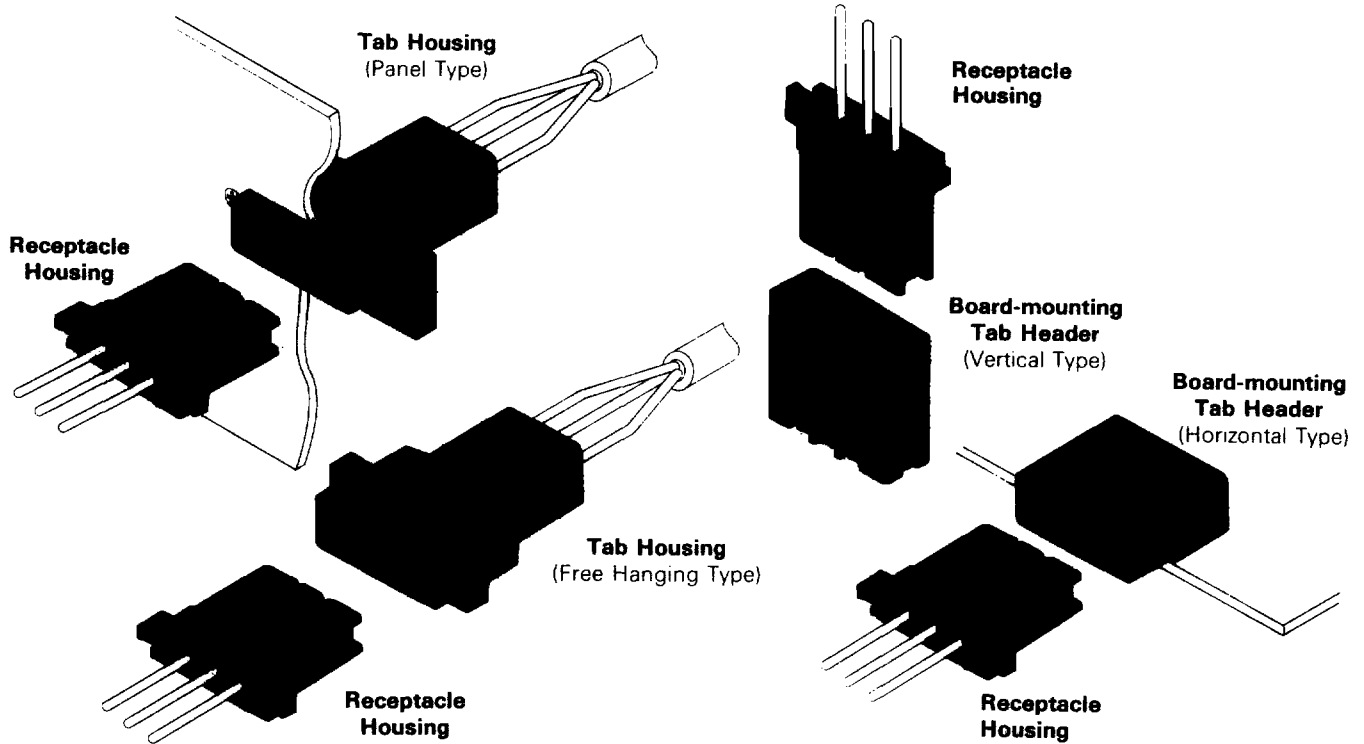
No. of Pos.	Keying	Part Number	Dimensions		
			A	B	C
6	XX	1-178141-□	21.62	13.97	7.62
	YY	—			
	XY	3-178141-□			

Wire to Board Connectors

AMP Dynamic Series Connectors/D-3000 Series

D-3200S (A High-Voltage Version of Standard D-3100S)

Appearance Bard mounting pitch: Horizontal Type 200mils (5.08mm)
 Dielectric Withstanding Voltage = 2,200V (for one minute) Voltage Rating = 600V AC (per connector)



Receptacle Housing



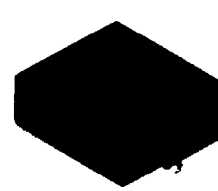
Tab Housing (Panel Type)



Tab Housing (Free Hanging Type)



Board-mounting Tab Header (Horizontal Type) (Vertical Type)



Part Number Chart

No. of Pos.	Keying	Receptacle Housing	Tab Housing			Board Mounting Tab Header		Minimum Order Lot
			Panel Type	Free Hanging Type	^L Fitting	Horizontal Type	Vertical Type	
2	X	1-178128-2	1-179553-2	1-179552-2	S	1-179276-□	1-917337-□	260
	Y	2-178128-2	2-179553-2	2-179552-2	S	2-179276-□	2-917337-□	
3	X	1-178128-3 ^{*1}	1-179553-3	1-179552-3	S	1-178138-□	1-178136-□	200
	Y	2-178128-3 ^{*1}	2-179553-3	2-179552-3	S	2-178138-□	2-178136-□	
4	X	1-178128-4	1-179553-4	1-179552-4	S	1-179277-□	1-917338-□	170
	Y	2-178128-4	2-179553-4	2-179552-4	S	2-179277-□	2-917338-□	
5	X	1-178128-5 ^{*1}	Use 2-row 6 position D-3200M, in place 5 and 6 position Panel and Free-hanging Types.			1-316130-□	1-316132-□	140
	Y	2-178128-5 ^{*1}				2-316130-□	2-316132-□	
6	X	1-178128-6 ^{*1}				1-316131-□	1-316133-□	120
	Y	2-178128-6 ^{*1}				2-316131-□	2-316133-□	

Note: * Enter the following plating codes in □ after Part Numbers:

-2: 0.38 μm thick gold plating

-3: 0.76 μm thick gold plating

-5: Solder plating

* *1 and *2 can also be used in modular configuration with D-3200M Tab Housing and Tab Header.

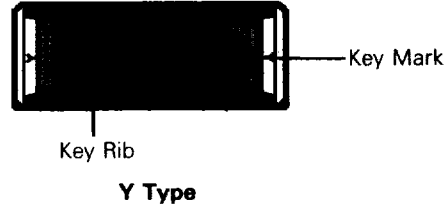
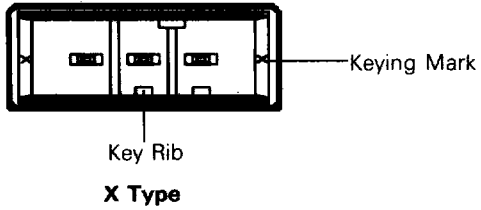
Wire to Board Connectors

AMP Dynamic Series Connectors/D-3000 Series

D-3200S (A High-Voltage Version of Standard D-3100S)

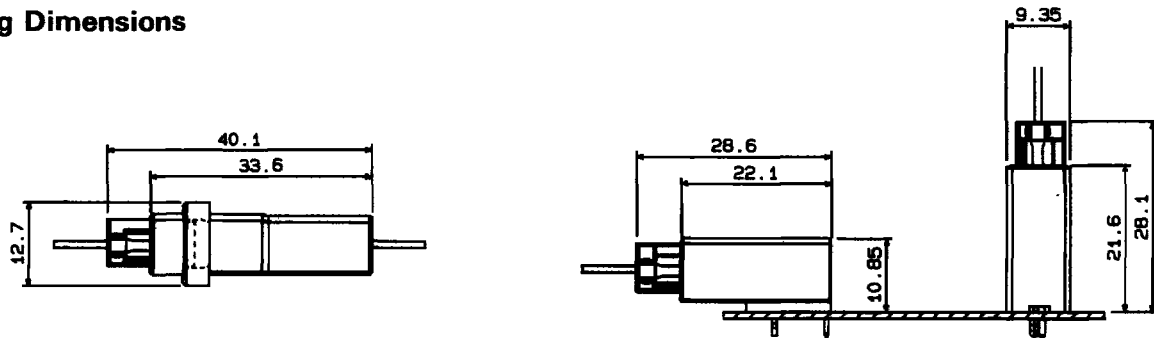
keying

This product (D-3200S) is provided with keying to prevent mismatching of the connector halves. Keying is available in two types – S Type and Y Type. (Shown below is the mating surface of Tab Header.)



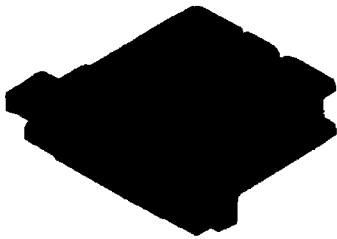
Wire to Board Connectors AMP Dynamic Series Connectors/D-3000 Series D-3200S (A High-Voltage Version of Standard D-3100S)

Mating Dimensions

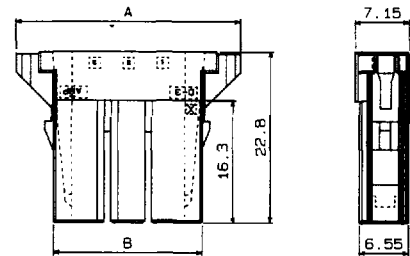
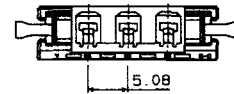


External Dimension

■ Wire Application Type Receptacle Housing



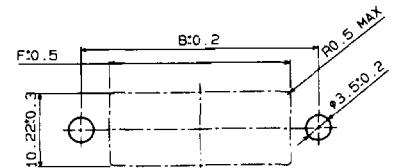
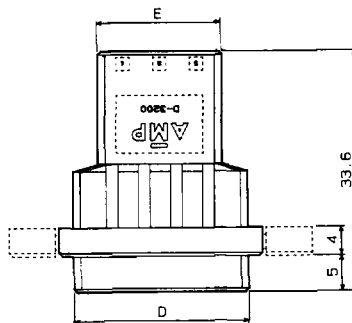
5-and 6-position receptacle housings differ slightly in shape with each other. Check with diagram.



No. of Pos.	Part Number	Dimensions	
		A	B
2	□-178128-2	24.62	14.16
3	□-178128-3	29.7	19.24
4	□-178128-4	34.78	24.32
5	□-178128-5	39.86	29.4
6	□-178128-6	44.94	34.48

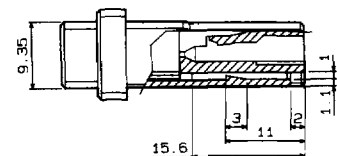
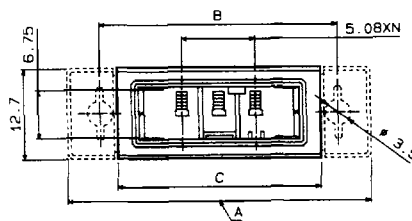
■ Tab Housing

Panel Type



When mounting panel from the rear, either apply clamping torque of less than 3kg, or use washers.

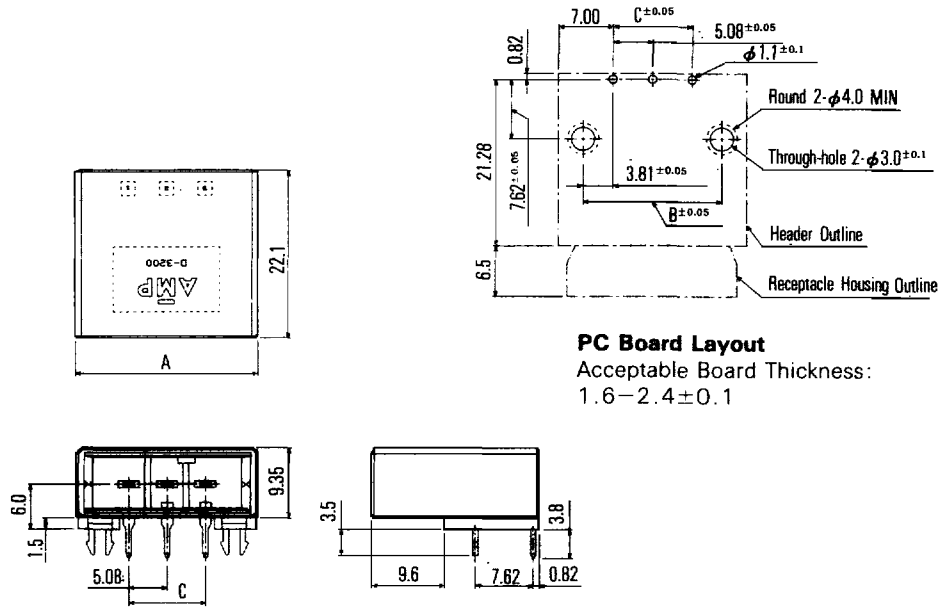
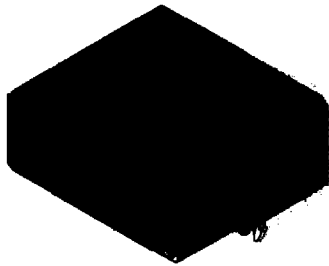
Free Hanging Type



No. of Pos.	Part Number		Dimensions					
	Panel Type	Free Hanging Type	A	B	C	D	E	F
2	□-179553-2	□-179552-2	36.83	28	23.03	19.08	12.08	20
3	□-179553-3	□-179552-3	41.91	33	28.11	24.16	17.16	25
4	□-179553-4	□-179552-4	46.99	38	33.19	29.24	22.24	30

Wire to Board Connectors
AMP Dynamic Series Connectors/D-3000 Series
D-3200S (A High-Voltage Version of Standard D-3100S)

■ **Board-mounting Tab Header (Horizontal Type)**

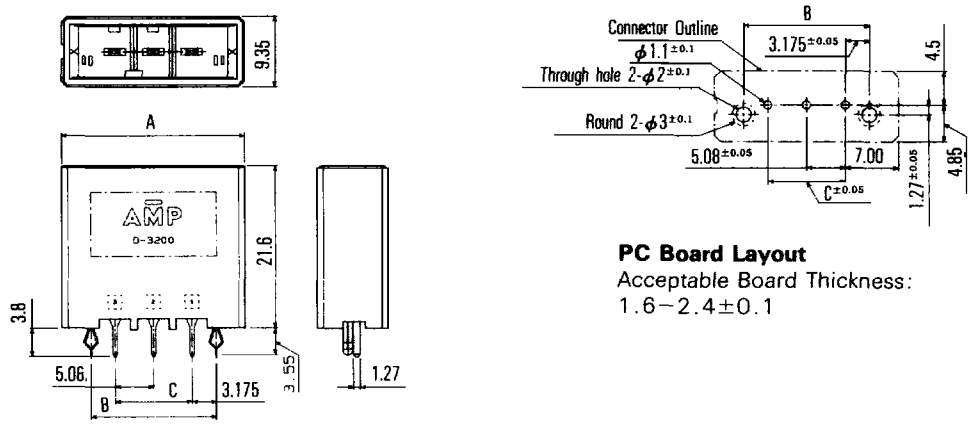
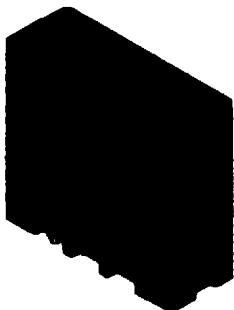


PC Board Layout
 Acceptable Board Thickness:
 1.6-2.4±0.1

Solder tine section is 1.0 sq.

No. of Pos.	Part Number	Dimensions		
		A	B	C
2	□-179276-□	19.08	12.7	5.08
3	□-178138-□	24.16	17.78	10.16
4	□-179277-□	29.24	22.86	15.24
5	□-316130-□	34.32	27.84	20.32
6	□-316131-□	39.4	33.02	25.4

■ **Board-mounting Tab Header (Vertical type)**



PC Board Layout
 Acceptable Board Thickness:
 1.6-2.4±0.1

Solder tine section is 1.0 sq.

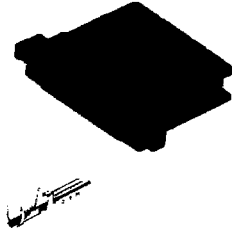
No. of Pos.	Part Number	Dimensions		
		A	B	C
2	□-917337-□	19.08	11.43	5.08
3	□-178136-□	24.16	16.51	10.16
4	□-917338-□	29.24	21.59	15.24
5	□-316132-□	34.32	26.67	20.32
6	□-316133-□	39.4	31.75	25.4

Wire to Board Connectors
AMP Dynamic Series Connectors / D-3000 Series
D-3200S SMT Type

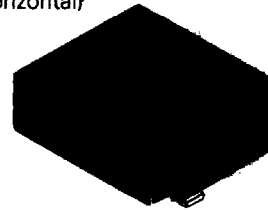
Receptacle Housing and Board Mount Tab Header

Appearance Dielectric Withstanding Voltage : 2,200V(1 min.)
 Voltage Rating: 600V AC (when one connector is used)

Receptacle Housing



Board-Mount Tab Header
(Horizontal)



Receptacle Contact.....For each line of contacts, refer to the appropriate page.

No. of Positions	Keying	Part Number of Receptacle Housing*	Part Number of Board-Mount Tab Header	Minimum Order Lot
			Horizontal Type	
2	×	1-178128-2	---	260
3	×	1-178128-3	1-917389 -□**	200
4	×	1-178128-4	---	170
5	×	1-178128-5	---	140
6	×	1-178128-6	---	120

Note: Enter the following plating code in Part Number suffix- □. Gold plating only for SMT Type.

- 2 : 0.38 μm thick gold plating
- 3 : 0.76 μm thick gold plating

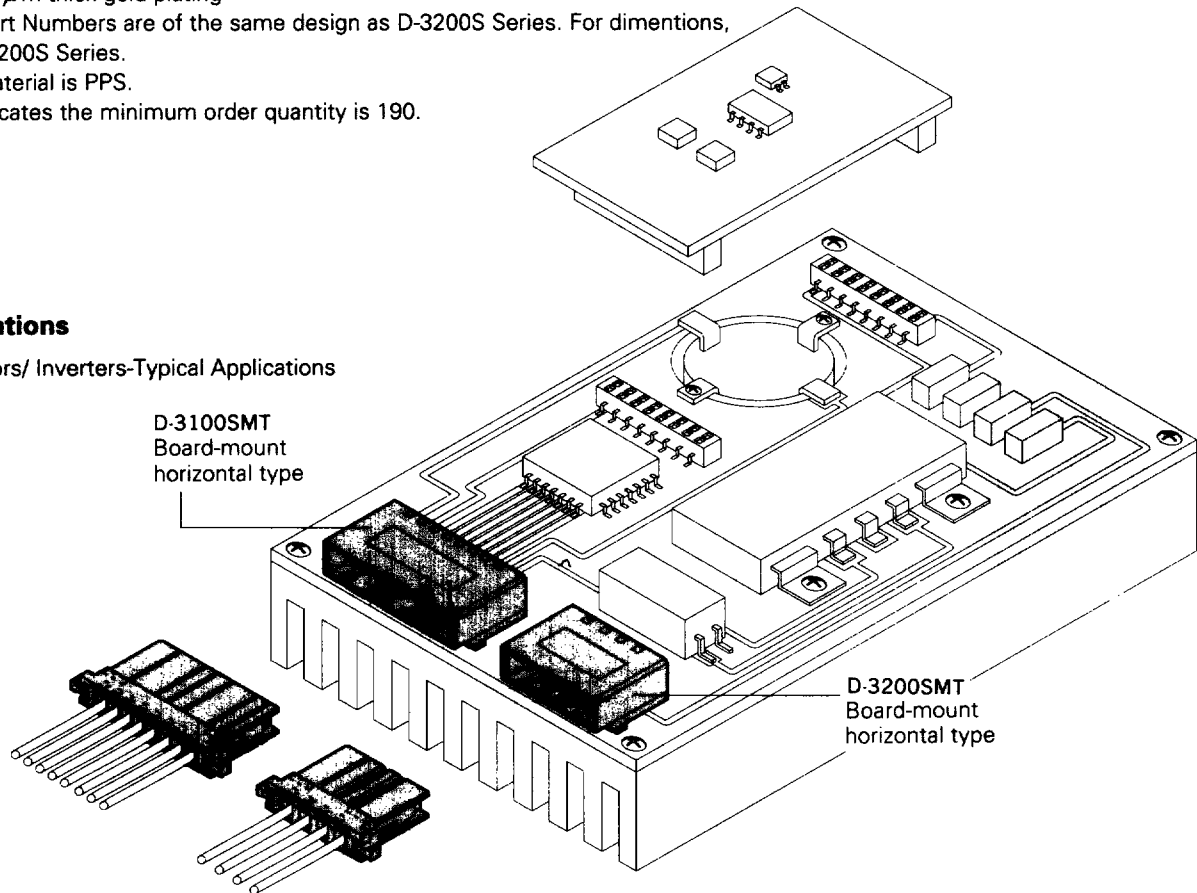
*marked Part Numbers are of the same design as D-3200S Series. For dimentionts, refer to D-3200S Series.

Header material is PPS.

**mark indicates the minimum order quantity is 190.

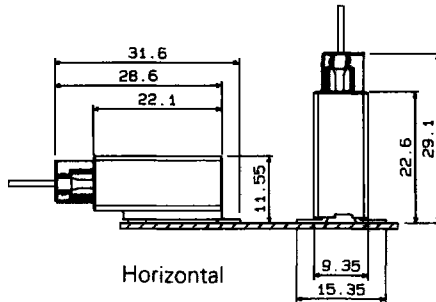
Applications

Servo-motors/ Inverters-Typical Applications



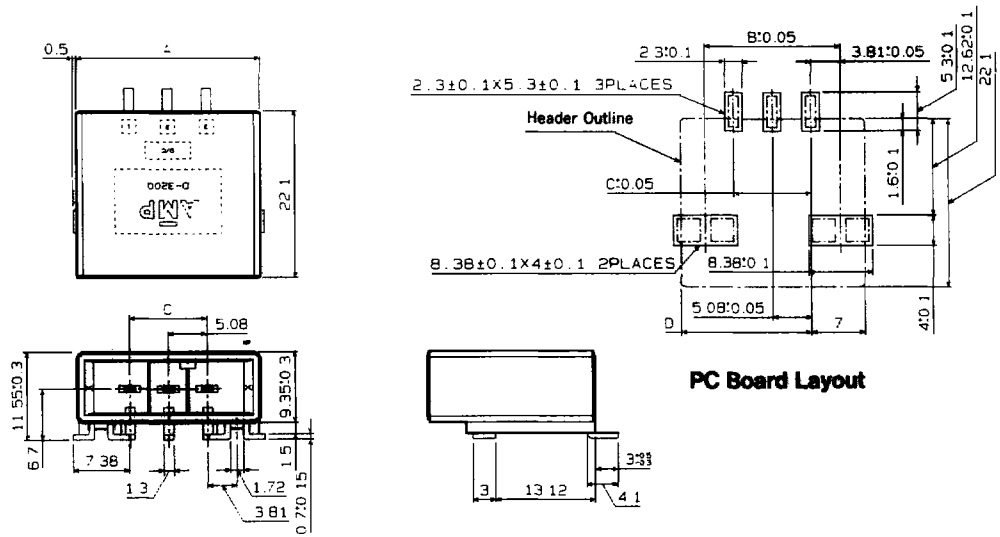
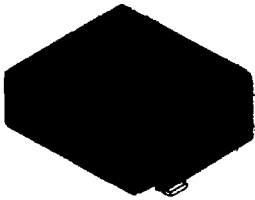
Wire to Board Connectors
AMP Dynamic Series Connectors / D-3000 Series
D-3200S SMT Type

■ **Mating Dimensions**



■ **External Dimensions**

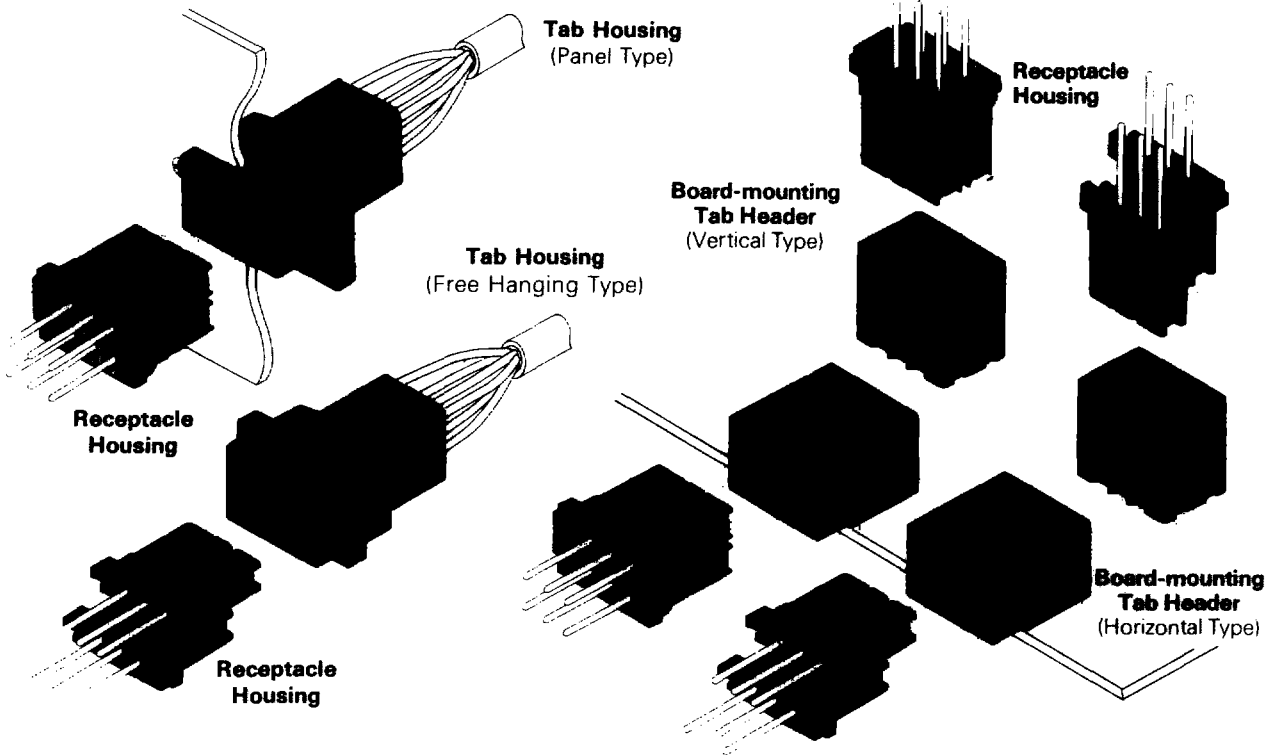
Board-mount Tab Header
(Horizontal Type)



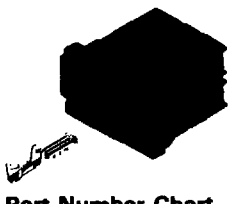
No. of Position	Part Number of Tab Header	Dimensions			
		A	B	C	D
3	917389-□	24.16	17.78	10.16	17.16

Wire to Board Connectors AMP Dynamic Series Connectors/D-3000 Series D-3200M—Modular Type

Appearance Connectors Can Be used In Modular Configurations In Combination With D-3200S.
Ideally Suited For Allocation of Power Circuits.
Broad mounting pitch Horizontal Type 200x2000mils (5.08x5.08mm)
Vertical Type 200x300mils (5.08x7.62mm)
Dielectric Withstanding Voltage = 2,200V (for one minute) Voltage Rating = 600V AC (per connector)

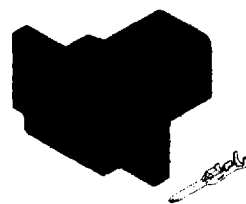


Receptacle Housing



Tab Housing

(Panel Type)

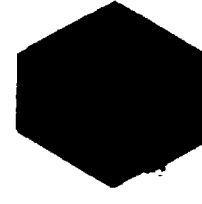


(Free Hanging Type)



Board-mounting Tab Header

(Horizontal Type)



(Vertical Type)



Part Number Chart

No. of Pos.	Keying	Receptacle Housing	Tab Housing*			Board Mounting Tab Header*		Minimum Order Lot
			Panel Type	Free Hanging Type	^L Fitting	Horizontal Type	Vertical Type	
6	XX	1-178129-6	1-179555-3	1-179554-3	S	1-178139-□	1-178140-□	200
	YY	2-178129-6	2-179555-3	2-179554-3	S	2-178139-□	2-178140-□	200
	XY	3-178129-6	3-179555-3	3-179554-3	S	3-178139-□	3-178140-□	200
10	XX	1-917659-5	—	—	M	1-316080-□	1-917657-□	140
	YY	2-917659-5	—	—	M	2-316080-□	2-917657-□	140
	XY	3-917659-5	—	—	M	3-316080-□	3-917657-□	140
12	XX	1-917659-6	1-179555-6	1-179554-6	M	1-316081-□	1-917658-□	120
	YY	2-917659-6	2-179555-6	2-179554-6	M	2-316081-□	2-917658-□	120
	XY	3-917659-6	3-179555-6	3-179554-6	M	3-316081-□	3-917658-□	120

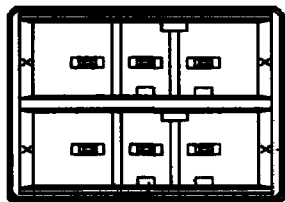
Note: Enter the following plating codes in □ after Part Numbers :

- 2 : 0.38 μm thick min. gold plating
- 3 : 0.76 μm thick min. gold plating
- 5 : Solder plating

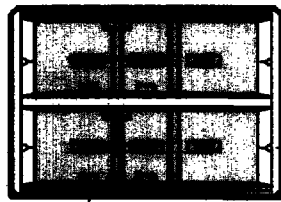
*mark can also be used in Drawer connector in combination with D-3200M Drawer Type.

Wire to Board Connectors
AMP Dynamic Series Connectors/D-3000 Series
D-3200M—Modular Type

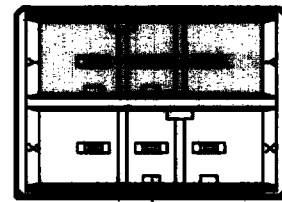
Keying This product (D-3200M) is provided with keying into prevent mismatching of the connector halves. Keying is available in three types—XX Type, YY Type and XY Type. (Shown below is the mating surface of Tab Header.)



Keying Mark
Key Lib
XX Type


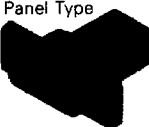



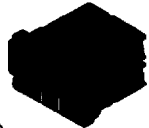








Keying Mark
Key Lib
YY Type



Keying Mark
Key Lib
XY Type

Table of Mating Combinations

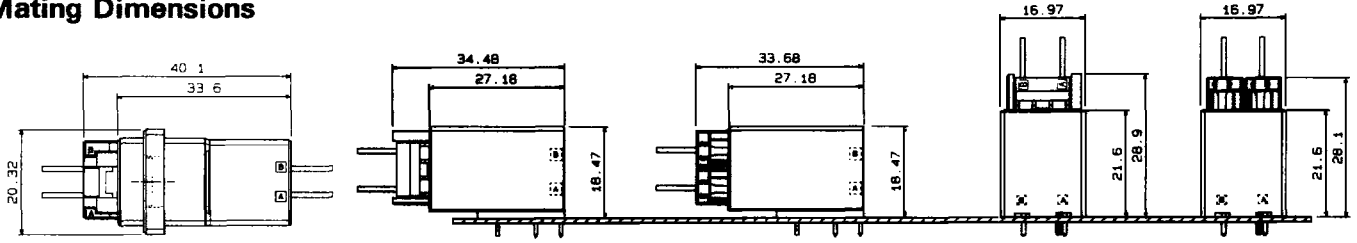
Receptacle Housing		Tab Housing		Board-mounting Tab Header	
1 Row 3 Positions (D-3200S)  *	X Type		X-Type Panel Type Free Hanging Type		X-Type Horizontal Type Vertical Type
	Y Type		Y-Type Panel Type Free Hanging Type		Y-Type Horizontal Type Vertical Type
2 Row 6 Positions 	XX Type		XX-Type Panel Type Free Hanging Type		XX-Type Horizontal Type Vertical Type
	XY Type		YY-Type Panel Type Free Hanging Type		XY-Type Horizontal Type Vertical Type
	XY Type		XY-Type Panel Type Free Hanging Type		XY-Type Horizontal Type Vertical Type

The housing with asterisk(*) same as D-3200S series.



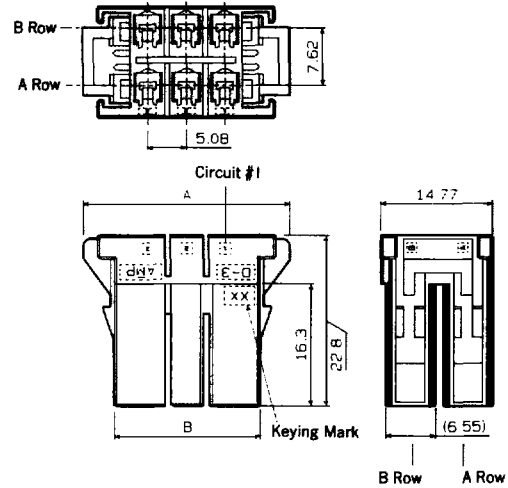
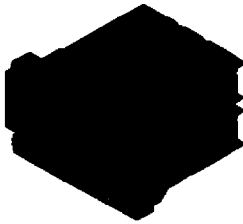
Wire to Board Connectors AMP Dynamic Series Connectors/D-3000 Series D-3200M—Modular Type

Mating Dimensions



External Dimension

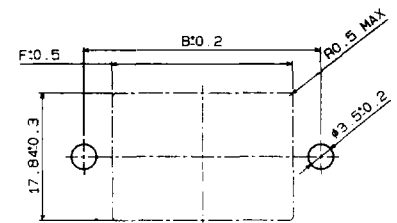
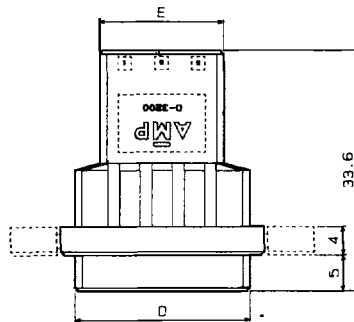
■ Receptacle Housing



No. of Pos.	Part Number	Dimensions	
		A	B
6	□-178129-6	27.3	19.24
10	□-917859-5	37.46	29.4
12	□-917859-6	42.54	34.48

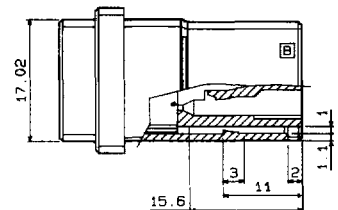
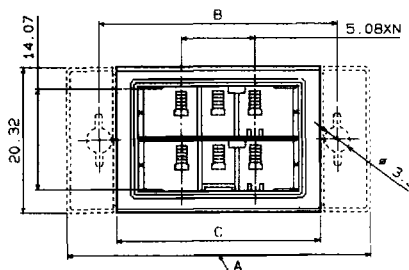
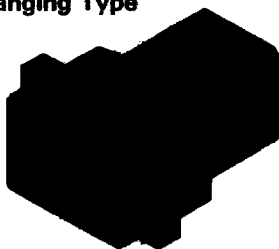
■ Tab Housing

Panel Type



When mounting panel from the rear, either apply clamping torque of less than 3kg, or use washers.

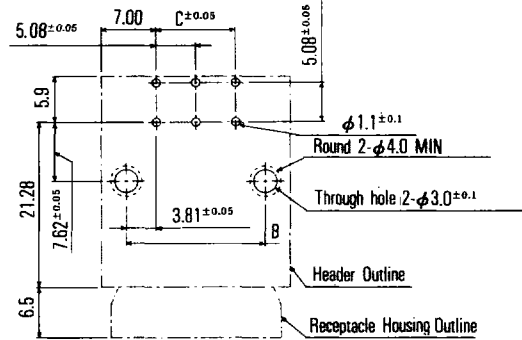
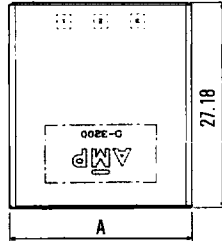
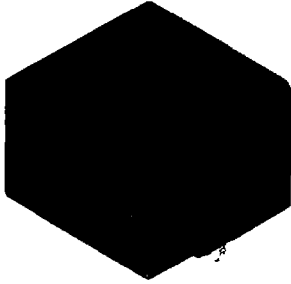
Free Hanging Type



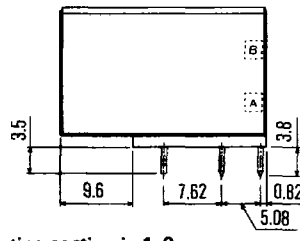
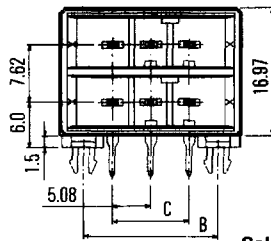
No. of Pos.	Part Number		Dimensions					
	Panel Type	Free Hanging Type	A	B	C	D	E	F
6	□-179555-3	□-179554-3	41.91	33	28.11	24.16	17.16	25
12	□-179555-6	□-179554-6	57.91	49	43.35	39.4	32.4	41

Wire to Board Connectors AMP Dynamic Series Connectors/D-3000 Series D-3200M—Modular Type

■ Board-mounting Tab Header (Horizontal Type)



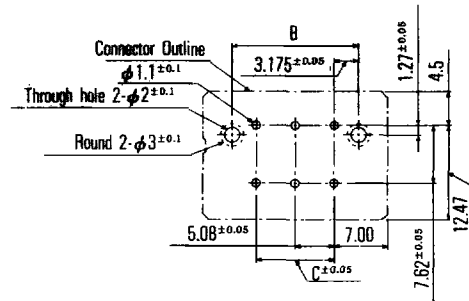
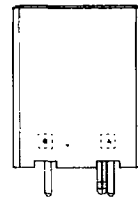
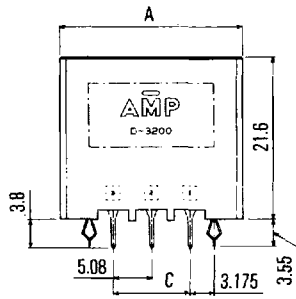
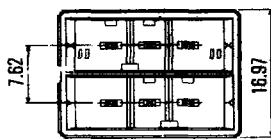
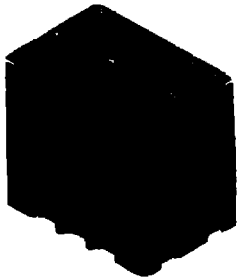
PC Board Layout
Acceptable Board Thickness:
1.6-2.4±0.1



Solder tine section is 1.0 sq.

No. of Pos.	Part Number	Dimensions		
		A	B	C
6	□-178139-□	24.16	17.78	10.16
10	□-316080-□	34.32	27.94	20.32
12	□-316081-□	39.4	33.02	25.4

■ Board-mounting Tab Header (Vertical Type)



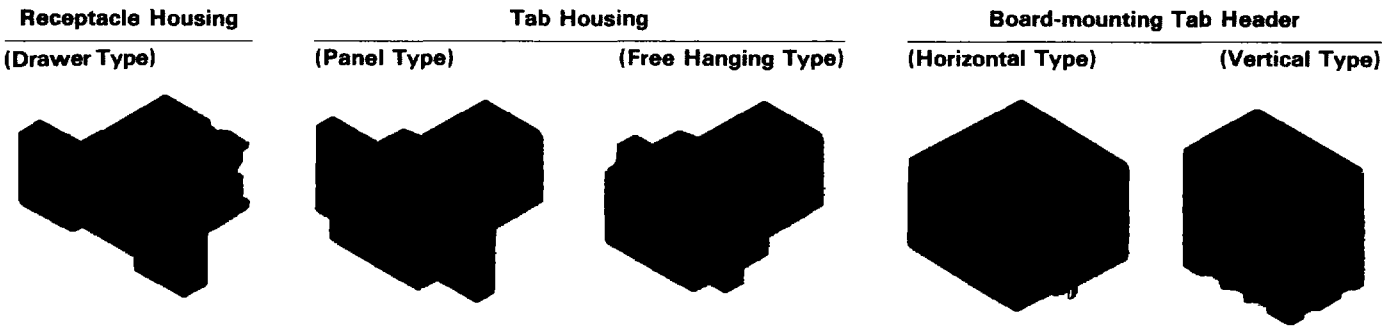
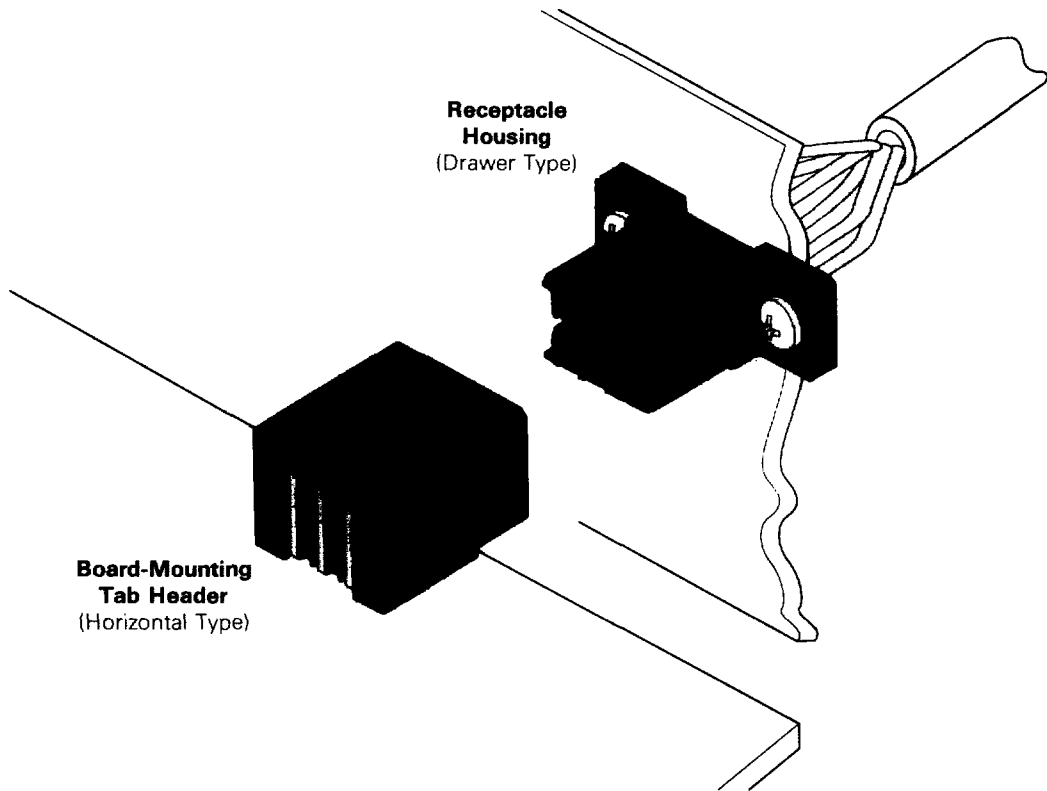
PC Board Layout
Acceptable Board Thickness:
1.6-2.4±0.1

Solder tine section is 1.0 sq.

No. of Pos.	Part Number	Dimensions		
		A	B	C
6	□-178140-□	24.16	16.51	10.16
10	□-917657-□	34.32	26.67	20.32
12	□-917658-□	39.4	31.75	25.4

Wire to Board Connectors AMP Dynamic Series Connectors/D-3000 Series D-3200M — Drawer Type

Appearance Board mounting pitch: Horizontal Type 200 x 200 mils (5.03 x 5.08mm)/
Vertical Type 200 x 300mils (5.08 x 7.62mm)
Dielectric Withstanding Voltage = 2,200V (for one minute) Voltage Rating = 600V AC (per connector)



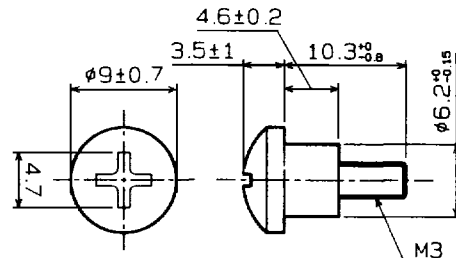
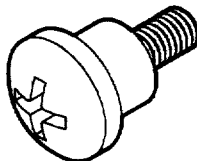
Part Number Chart

No. of Pos.	Keying	Receptacle Housing	Tab Housing		Board Mounting Tab Header		Min. Order Lot
			Panel Type	Free Hanging Type	Horizontal Type	Vertical Type	
6	XX	1-917266-3	1-179555-3	1-179554-3	1-178139-□	1-178140-□	200
	YY	—	2-179555-3	2-179554-3	2-178139-□	2-178140-□	200
	XY	—	3-179555-3	3-179554-3	3-178139-□	3-178140-□	200

Note: * Enter the following plating codes in -□ after Part Numbers:
 -2: 0.38 μm thick min. gold plating
 -3: 0.76 μm thick min. gold plating
 -5: Solder plating

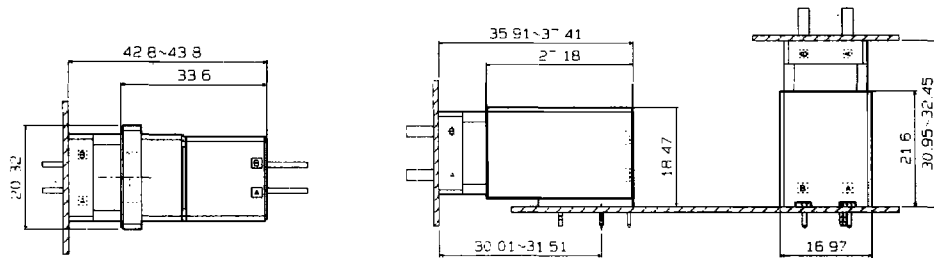
**Panel Mounting Screw
(Tapping Fashion)**

Part Number	Minimum Order Lot
900167-1	500



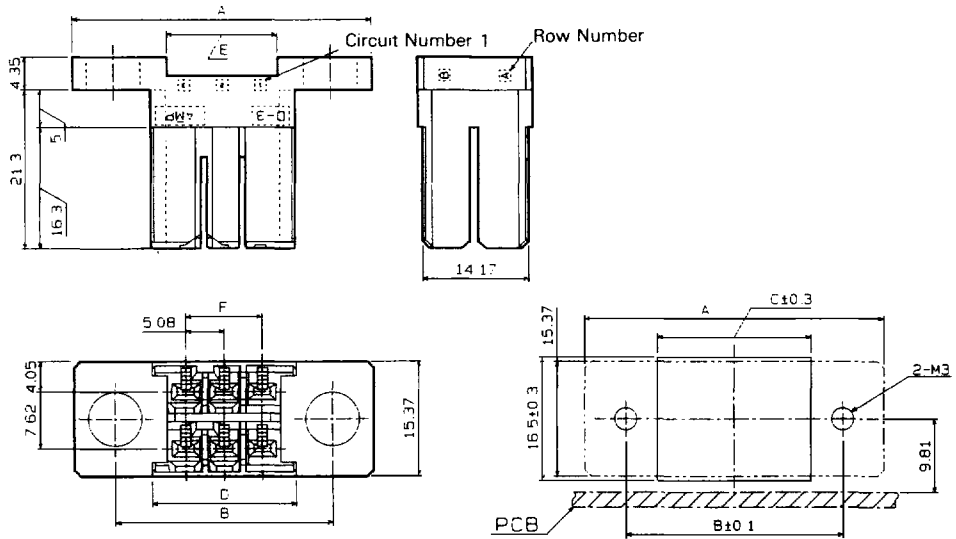
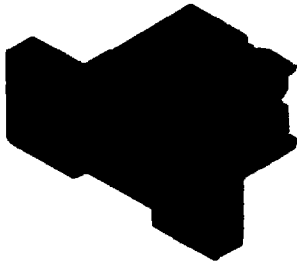
Wire to Board Connectors AMP Dynamic Series Connectors / D-3000 Series D-3200M Drawer Type

Mating Dimensions



External Dimensions

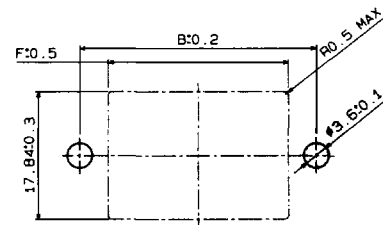
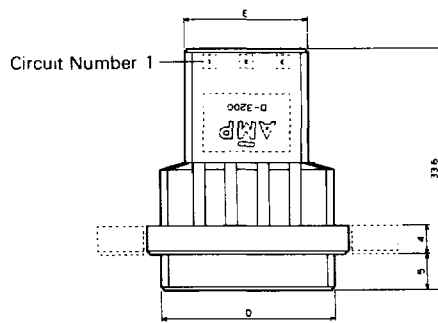
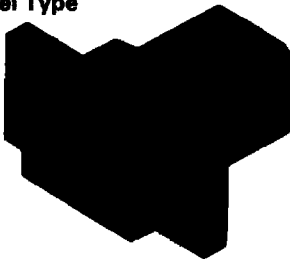
Receptacle Housing (Panel Type)



No. of Pos.	Part Numbers	Dimensions					
		A	B	C	D	E	F
6	□ -917266-3	40	29	20.5	19.24	14.76	10.16

Tab Housing

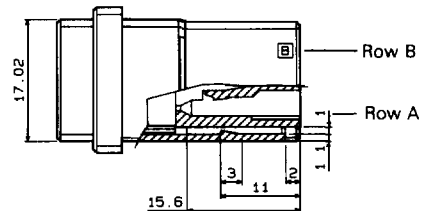
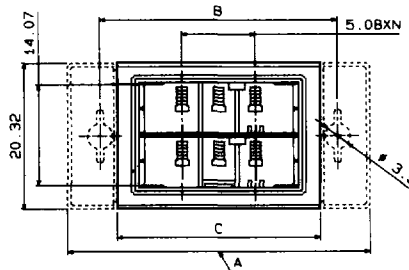
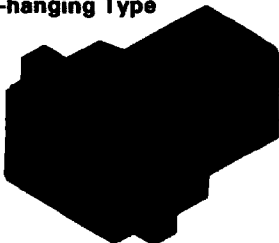
Panel Type



Panel Cutout

When mounting panel from the rear either apply clamping torque of less than 3kg, or use washers.

Free-hanging Type

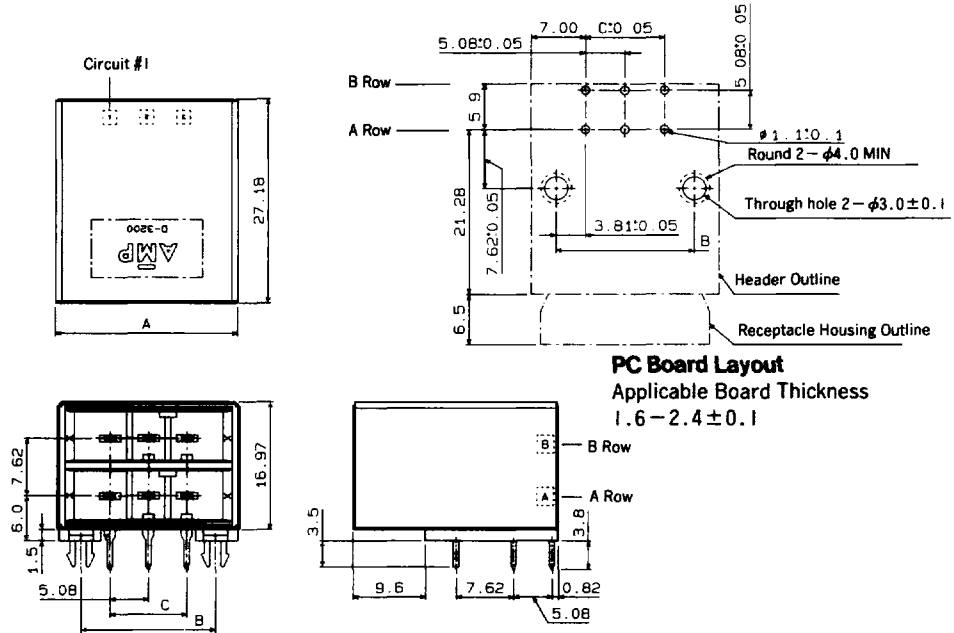
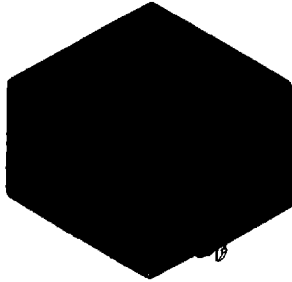


No. of Pos.	Part Numbers		Dimensions					
	Panel Type	Free-hanging Type	A	B	C	D	E	F
6	□ -179555-3	□ -179554-3	41.91	33	28.11	24.16	17.16	25



**Wire to Board Connectors
AMP Dynamic Connectors / D-3000 Series
D-3200M Drawer Type**

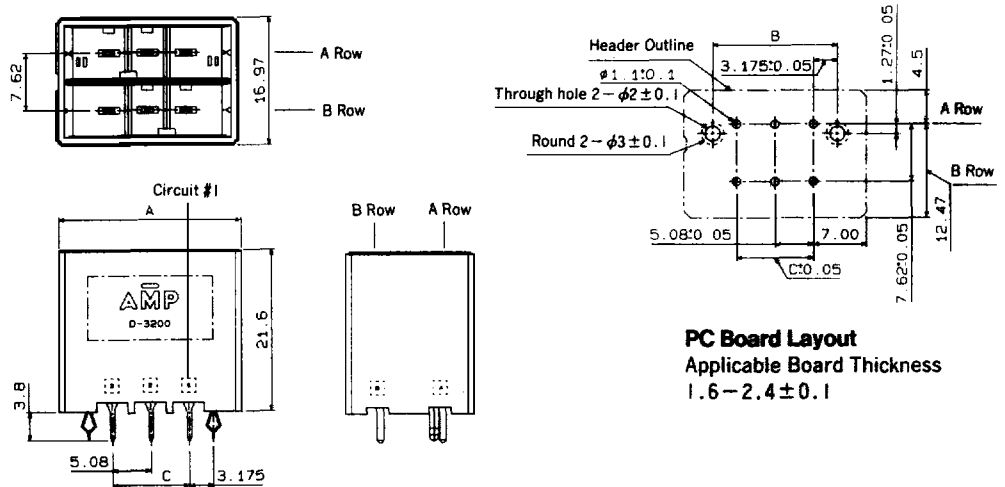
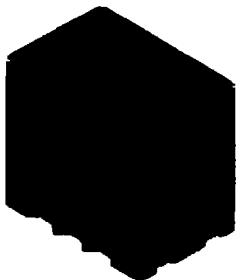
Board-mount Tab Header (Horizontal Type)



Solder tine section is 0.64 sq

No. of Pos.	Part Number	Dimensions		
		A	B	C
6	□-178139-□	24.16	17.78	10.16

Board-mount Tab Header (Vertical Type)

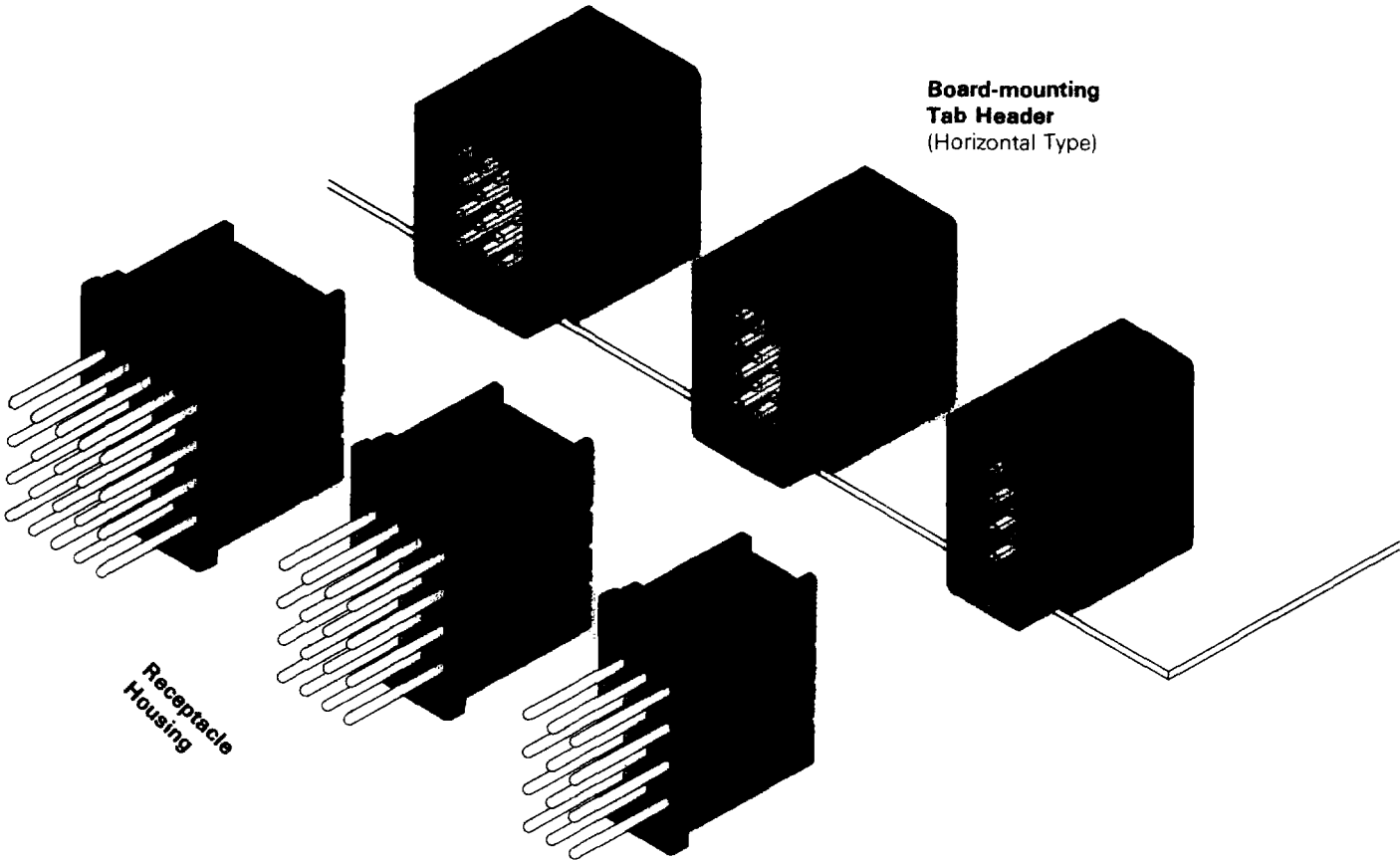


Solder tine section is 0.64 sq

No. of Pos.	Part Number	Dimensions		
		A	B	C
6	□-178140-□	24.16	16.51	10.16

Wire to Board Connectors
AMP Dynamic Series Connectors/D-3000 Series
D-3400F—Skyscraper Connectors

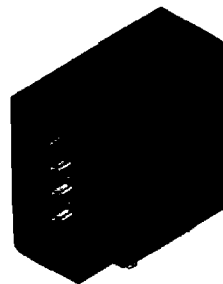
Appearance Board-mounting width reduced through increased heights. Compatible with increased I/O's.
 Board mounting pitch: Horizontal Type 150×150mils (3.81×3.81mm)
 Dielectric Withstanding Voltage = 1,500V (for one minute) Voltage Rating = 250V AC



4

Receptacle Housing

**Board-mounting Tab Header
(Horizontal Type)**



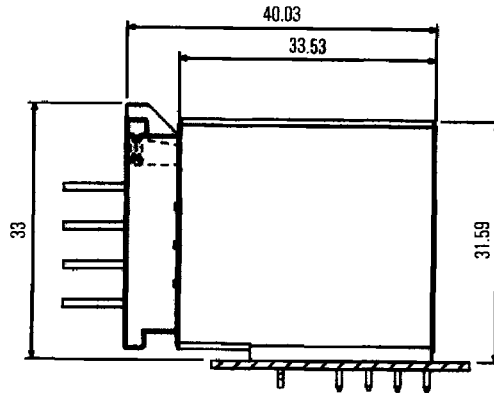
Part Number Chart

No. of Pos.	Receptacle Housing	Board-mounting Tab Header (Horizontal Type)	Minimum Order Lot
12	178214-1	178216-□	140
16	—	—	—
20	917249-1	917251-□	140

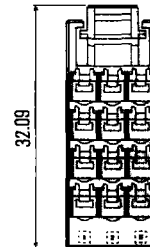
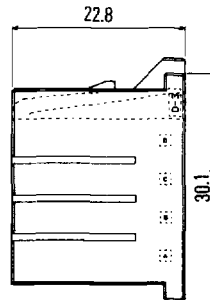
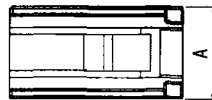
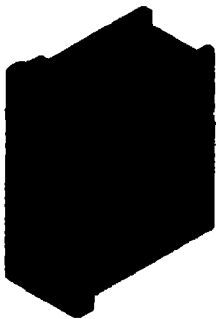
Note: * Enter the following plating codes in -□ after Part Numbers:
 -2: 0.38 μm thick gold plating
 -3: 0.76 μm thick gold plating
 -5: Solder plating

**Wire to Board Connectors
AMP Dynamic Series Connectors/D-3000 Series
D-3400F—Skyscraper Connectors**

Mating Dimension



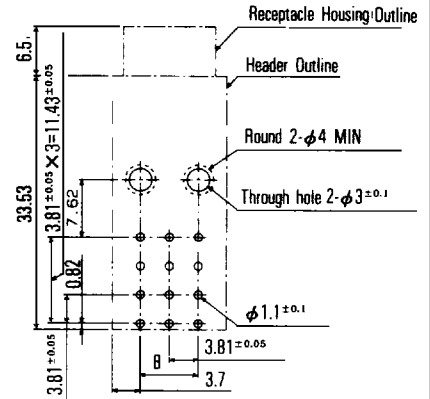
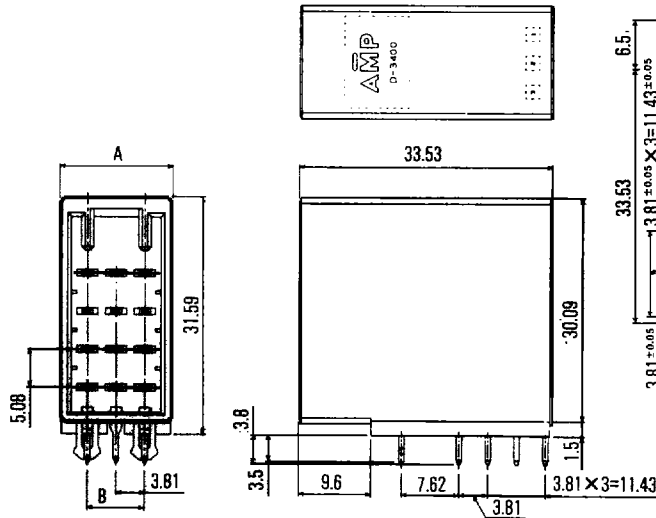
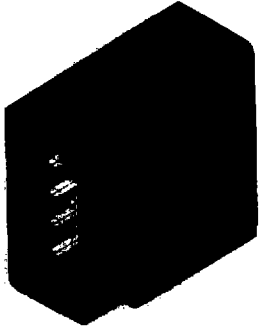
Receptacle Housing



No. of Pos.	Part Number	Dimensions
		A
12	178214-1	12.22
16	-----	-----
20	917249-1	19.84

Wire to Board Connectors AMP Dynamic Series Connectors/D-3000 Series D-3400F—Skyscraper Connectors

■ Board-mounting Tab Header (Horizontal Type)



PC Board Layout
Acceptable Board Thickness:
1.6-2.4±0.1

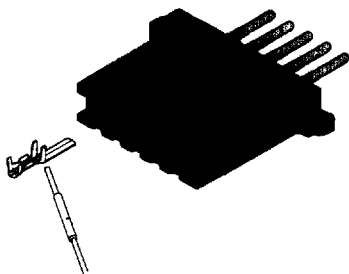
No. of Pos.	Part Number	Dimensions	
		A	B
12	178216-□	15.02	7.62
20	917251-□	22.64	15.24

One-point Advice

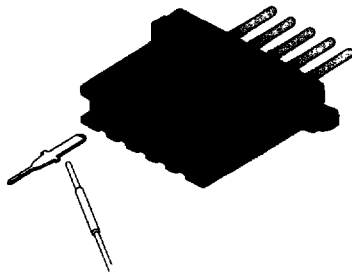
There are two major causes for faulty contact to the connector. They are:

- (1) Scooping of contacts at mating/unmating
 - With this Dynamic Series, each connector is designed to protect contacts against scooping very effectively.
- (2) Widening of contact gap by forcing tester bar, etc., into receptacle contacts when making continuity check.
 - Test bars that are commercially available (2 mm) cannot be pushed in from the entry port of housing. Never do continuity check by inserting clips, etc. Failure may also be caused by mis-insertion of the extraction tool. be careful when you use the tool.

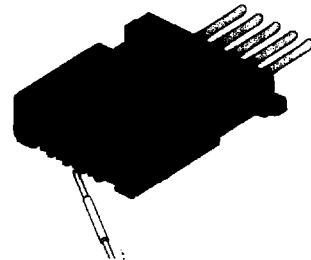
(Recommended methods of continuity check)



① Utilize tab contacts.



② Extract contacts from Board-mounting Vertical Type connector and insert them for testing.

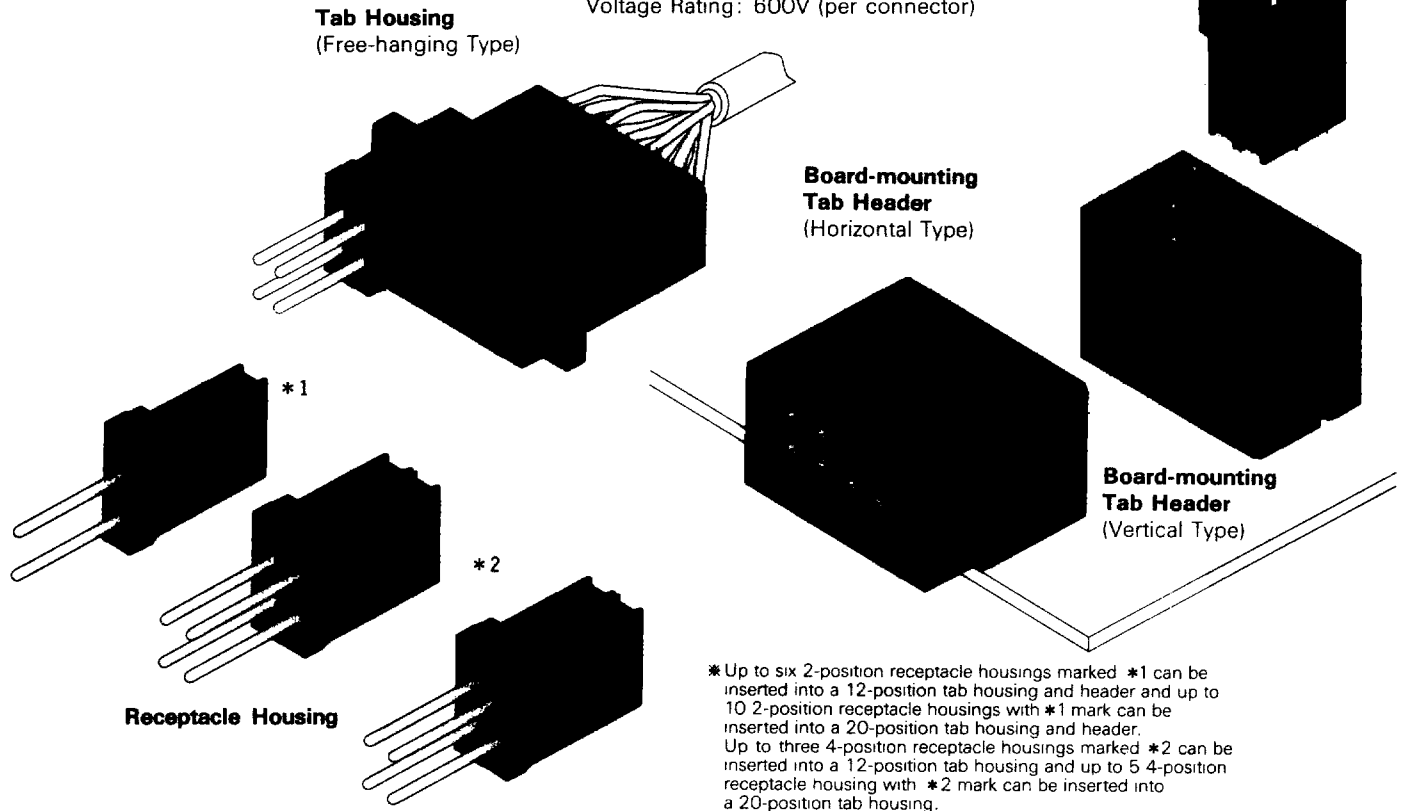


③ The best method is to use Board-mounting Vertical type connector.

Wire to Board Connectors AMP Dynamic Series Connectors/D-3000 Series D-3500D—Sensor Connectors

Appearance

Ideally suited for sensors used in robotics and machine tools. Also used for power distribution.
Board Mounting Pitch: 200×200mils (5.08×5.08mm).
Dielectric Withstanding Voltage: 2,200V (for 1 minute);
Voltage Rating: 600V (per connector)



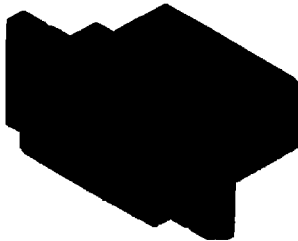
* Up to six 2-position receptacle housings marked *1 can be inserted into a 12-position tab housing and header and up to 10 2-position receptacle housings with *1 mark can be inserted into a 20-position tab housing and header.
Up to three 4-position receptacle housings marked *2 can be inserted into a 12-position tab housing and up to 5 4-position receptacle housing with *2 mark can be inserted into a 20-position tab housing.
It is possible to use 2-pos. and 4-pos. receptacle housings mixed.

Receptacle Housing

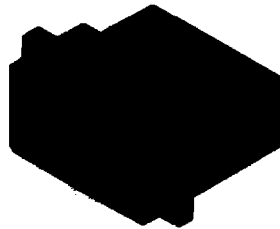


Tab Housing

(Panel Type)

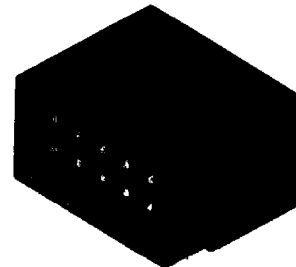


(Free Hanging Type)



Board-mounting Tab Header

(Horizontal Type)

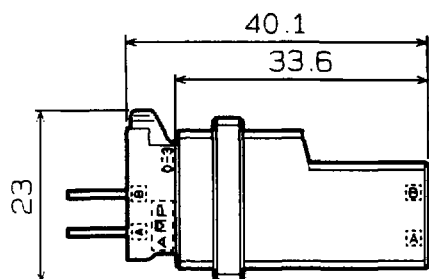


No. of Pos.	Receptacle Housing	Tab Housing		L Fitting	Board Mounting Tab Header		Minimum Order Lot
		Panel Type	Free Hanging Type		Horizontal Type	Vertical Type	
2	175362-1	—	—	—	—	—	450
4	175363-1	—	—	—	—	—	450
12	—	917241-6	917242-6	S	177555-□	316516-□	150
20	—	917241-8	917242-8	S	175365-□	316517-□	90

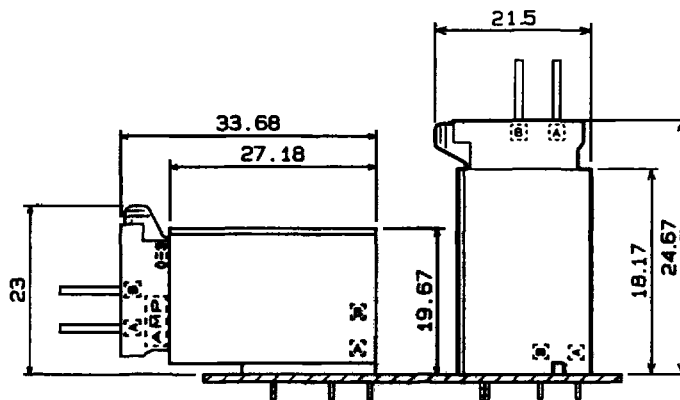
Note: * Enter the following plating codes in -□ after Part Numbers:
-2: 0.38 μm thick gold plating
-3: 0.76 μm thick gold plating
-5: Solder plating

Wire to Board Connectors
AMP Dynamic Series Connectors/D-3000 Series
D-3500D—Sensor Connectors

Mating Dimensions

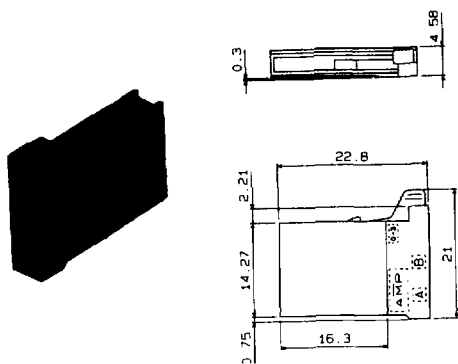


Panel/Free hanging type

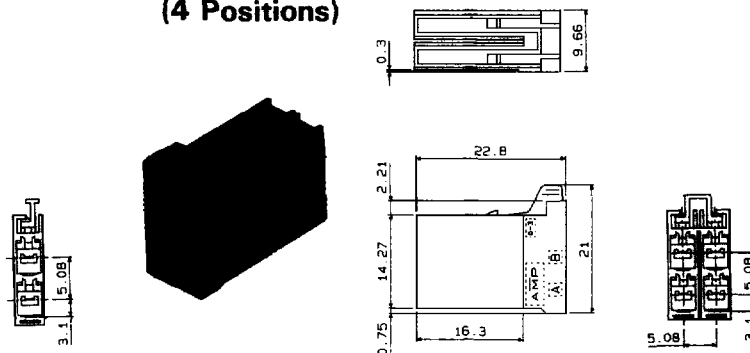


Horizontal/Vertical type

■ **Receptacle Housing (2 Positions)**



■ **Receptacle Housing (4 Positions)**

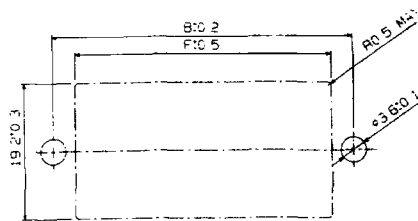
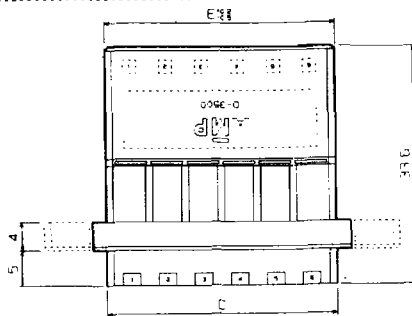


No. of Pos.	Part Number
2	175362-1

No. of Pos.	Part Number
4	175363-1

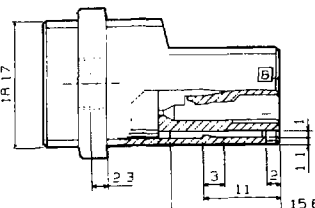
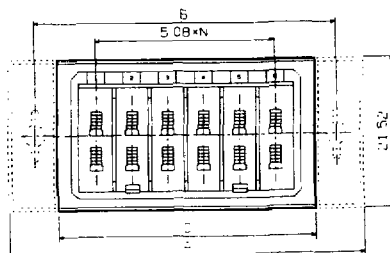
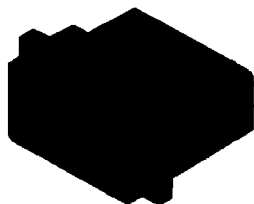
■ **Tab Housing**

Panel Type



Panel Cutout

Free Hanging Type

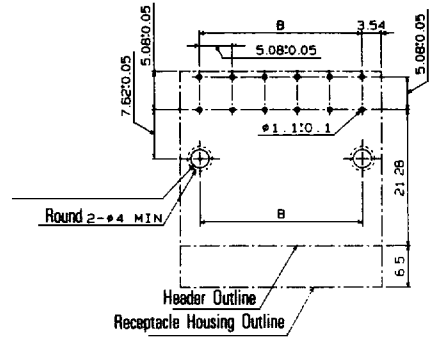
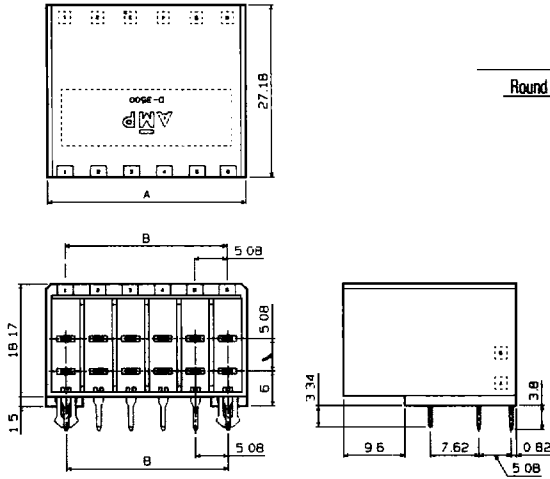
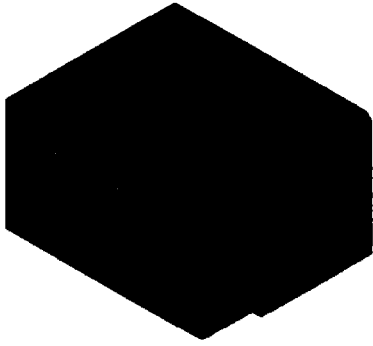


No. of Pos.	Part Number		Dimension					
	Panel Type	Free Hanging Type	A	B	C	D	E	F
12	917241-6	917242-6	52	43	36.43	32.48	32.48	33.4
20	917241-8	917242-8	72	63	56.75	52.8	52.8	53.8

4

Wire to Board Connectors
AMP Dynamic Series Connectors/D-3000 Series
D-3500D—Sensor Connectors

■ **Board-Mounting Tab header (Horizontal Type)**

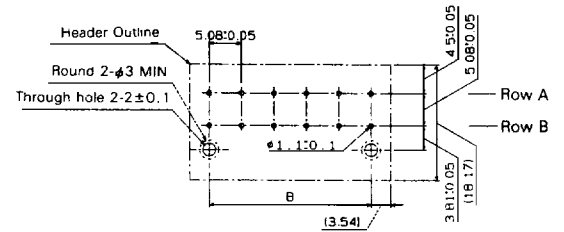
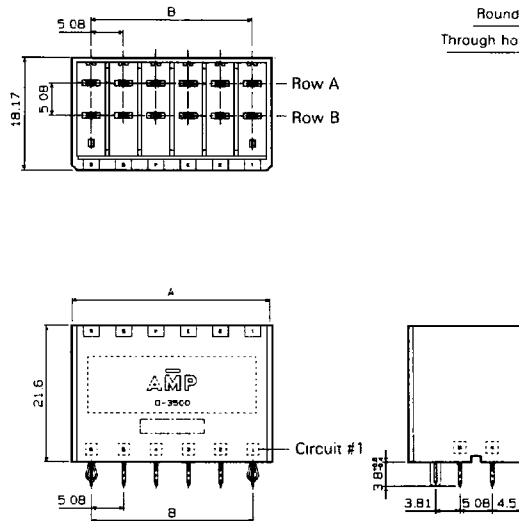
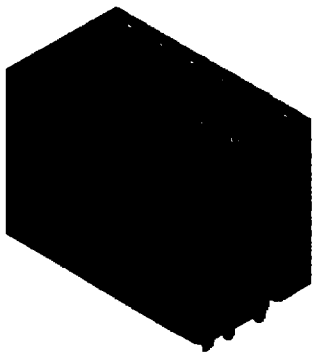


PC Boardf Layout
 Acceptable Board Thickness:
 1.6-2.4±0.1

Solder tine section 0.64 sq.

No. of Pos.	Part Number	Dimensions	
		A	B
12	177555-□	32.48	25.4
20	175365-□	52.8	45.72

■ **Board-Mounting Tab Header (Vertical Type)**



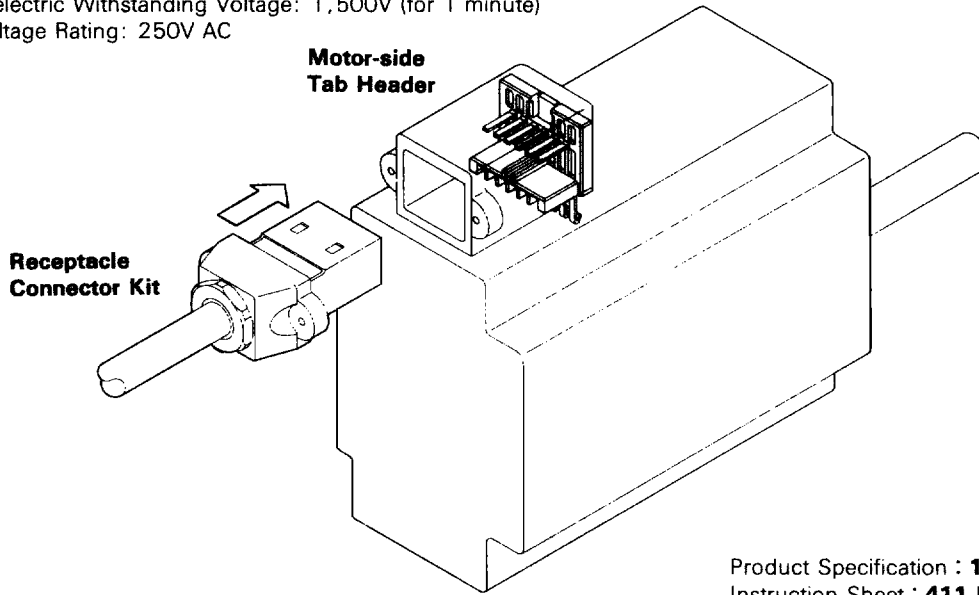
PC Board Layout
 Acceptable Board Thickness
 1.6-2.4±0.1

Solder tine section 0.64 sq.

No. of Pos.	Part Number	Dimensions	
		A	B
12	316516-□	32.48	25.4
20	316517-□	52.8	45.72

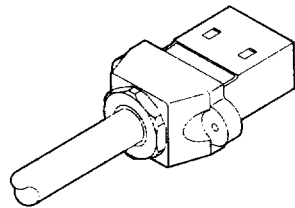
Wire to Board Connectors
AMP Dynamic Series Connectors/D-3000 Series
D-3700—Connectors for Exclusive Use with Servo Motor

Appearance Dielectric Withstanding Voltage: 1,500V (for 1 minute)
 Voltage Rating: 250V AC



Product Specification : **108-5324**
 Instruction Sheet : **411-5747**

Receptacle Connector Kit



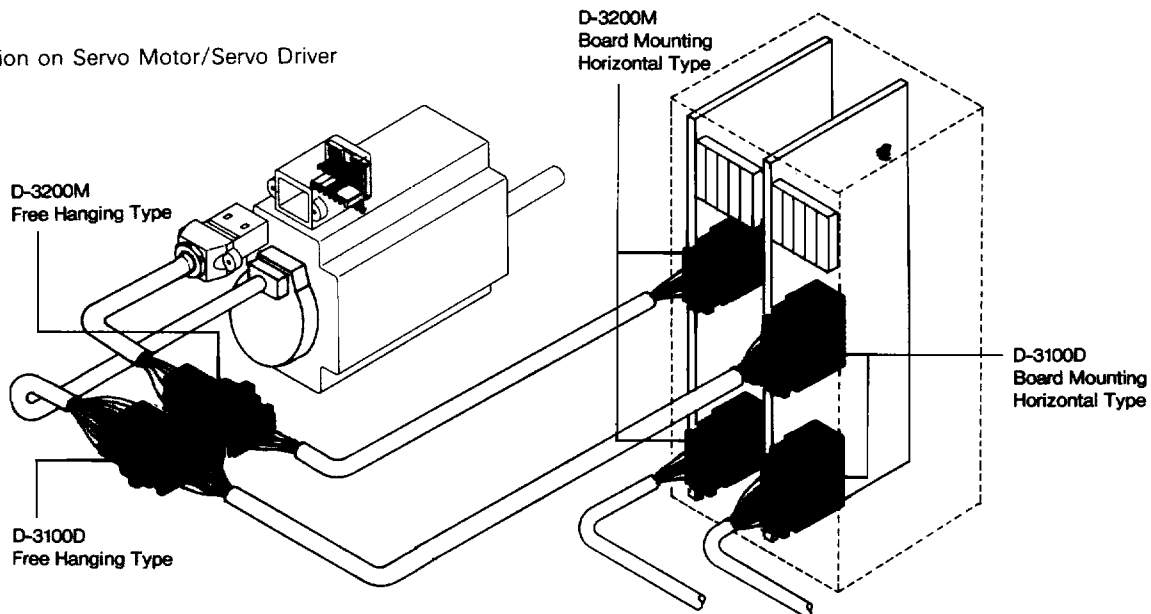
Part Number Chart

No. of Pos.	W/O Contact	Contact (P/N1-175218-2) including 6 contacts	Remarks
6	176346-7	176346-8	Products with CE mark
	1-176346-7	1-176346-8	Products with out CE mark

* Minimum order lot:5

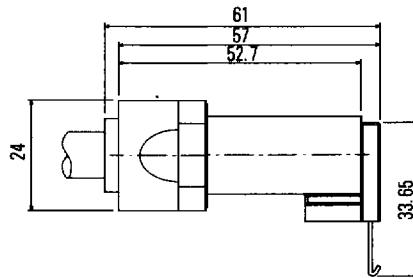
Application

Typical Application on Servo Motor/Servo Driver



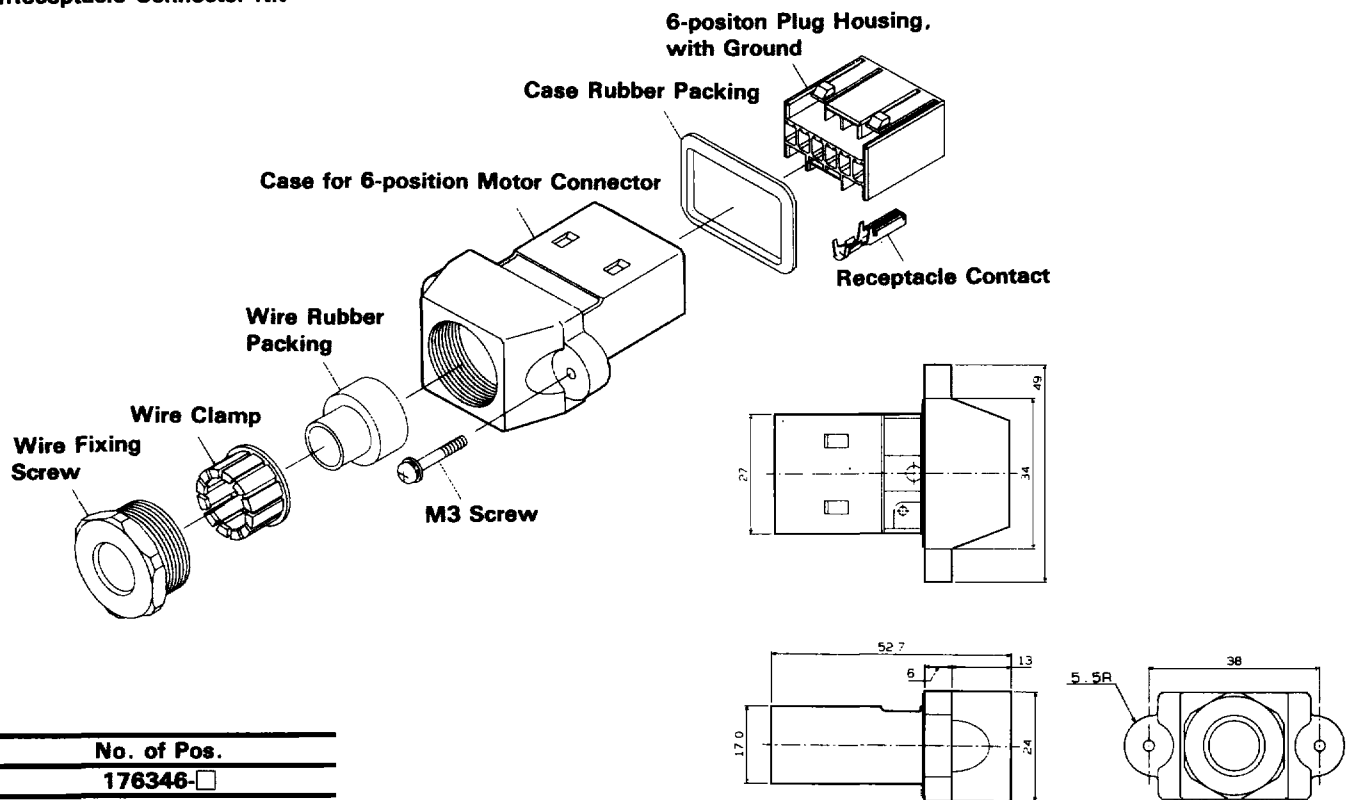
Wire to Board Connectors AMP Dynamic Series Connectors/D-3000 Series D-3700—Connectors for Exclusive Use with Servo Motor

Mating Dimensions



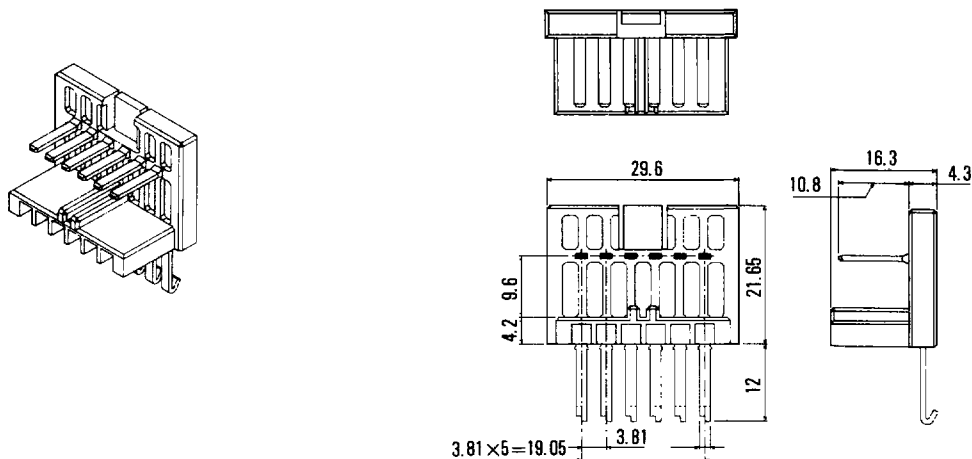
External Dimensions

■ Receptacle Connector Kit

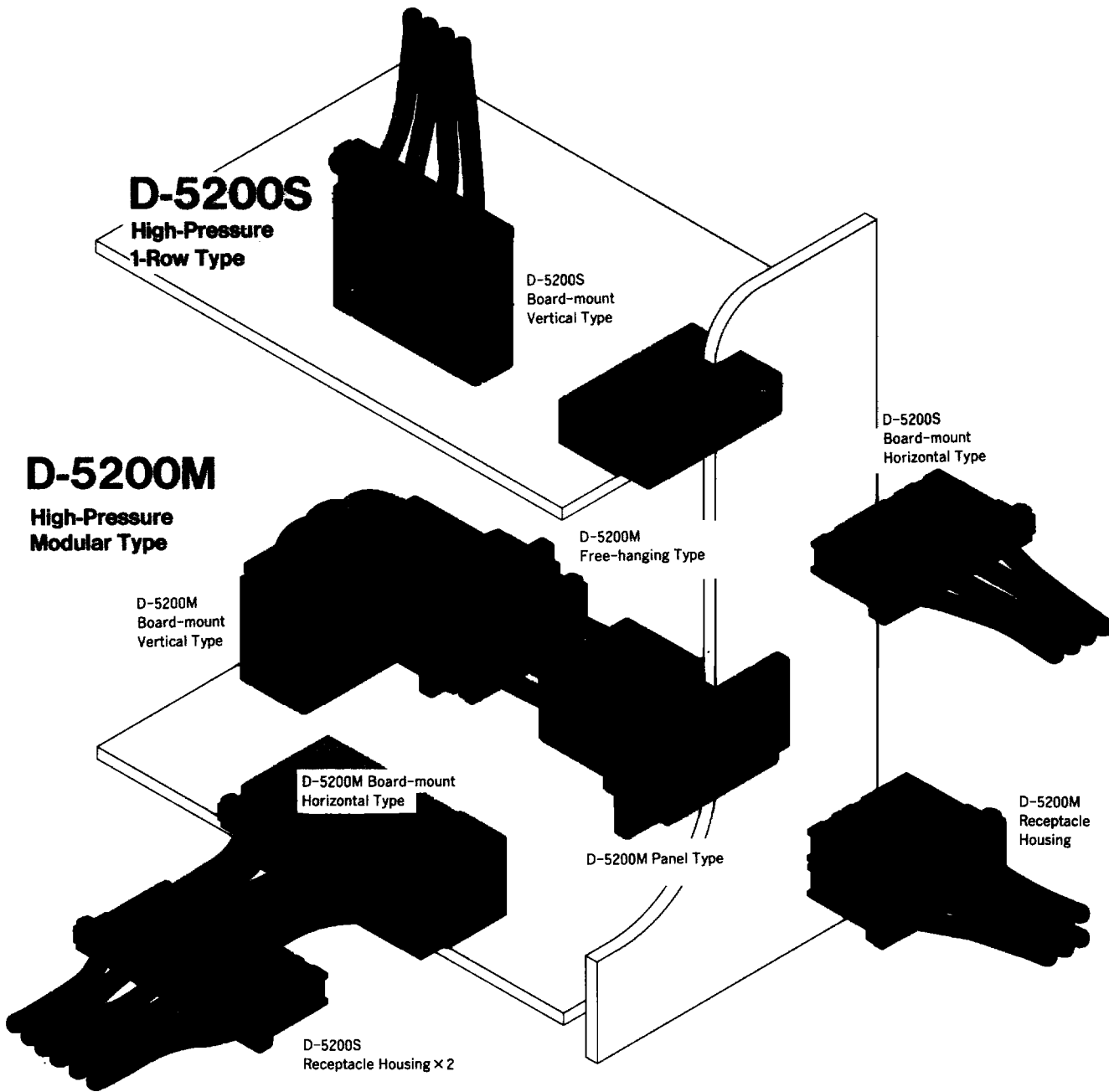


No. of Pos.
176346-□

■ Motor-side Tab Header



Wire to Board Connectors
AMP Dynamic Series Connectors / D-5200 Series
List of Dynamic Series Products by Application



**Wire to Board Connectors
AMP Dynamic Series Connectors / D-5200 Series
Performance Data and Specifications**

■ Performance Data

Description	Pitch	400mil (10.16mm)
Voltage Rating		630V AC
Current Rating		1 position: 30A 3 positions : 30A 6 positions : 30A (when using AWG#10 wire)
Contact Resistance		5mΩ Max.
Dielectric Withstanding Voltage		3,000V (1 minute)
Operating Temperating		- 55~ + 105 °C

■ Material and Finish

Description	Material	Finish
Receptacle Contact Tab Contact	Copper alloy	Gold plating
Tab Post	Copper alloy	Gold plating
Housing	UL 94V-0 rated, glassfiber reinforced polyester (PBT)	

**Wire to Board Connectors
AMP Dynamic Series Connectors / D-5200 Series
Performance Data and Specifications**

■ **Specification and Instruction Sheets**

Product Specification		108-5453
Test Report		
Application Specification		114-5206
Hand Tool Instruction Sheets	Crimping Tool P / N : 234170-1	411-5712
	Crimping Tool P / N : 234171-1	411-5713
Extraction Tool Instruction Sheet		

4

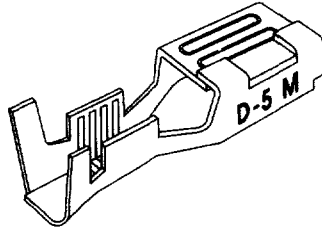
■ **Safety Specifications**

The following safety specifications are applicable to specific Part Numbers. Contact us to check if approval is given to each of Part Numbers you are using. Note that there are instances where values differ from those given in AMP Performance Data.

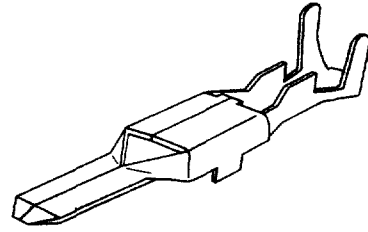
	D-5200 Series (400mil, 10.16mm pitch)		
	Voltage Rating	Current Rating	Temperature Rating
AMP. Specification 108-5453	630V AC	See the preceding page	- 55~ + 105°C
UL		Application pending	
CSA		Application pending	
TÜV		Application pending	

Wire to Board Connectors
AMP Dynamic Series Connectors / D-5200 Series
D-5 Contact and Application Tooling

■ **Crimp Type Contacts**



Receptacle Contact
 (Used in Receptacle Housing)



Tab Contact
 (Used in Tab Housing)

Wire Range		Ins. Dia. Range mm	Wire Range Mark	Contact Part Numbers		Minimum Order Quantity(piece)	Application Tooling	
AWG	mm ²			Receptacle	Tab		Mini-Applicator	Hand Tool
16	1.25	3 ~ 3.8	S	ST. 179955 - □	917802 - □	1,500	234030-2	—
14	2.20			LP. 316040 - □	917804 - □	200	—	234170-1
12	3.50	4 ~ 5.2	M	ST. 179956 - □	917803 - □	1,200	234029-2	—
10	5.50			LP. 316041 - □	917805 - □	200	—	234171-1

Note: Enter the following plating code in Part Number suffix- □
 - 2 : 0.38 μm thick gold plating
 - 3 : 0.78 μm thick gold plating

• Minimum order quantity is provided for each product. When ordering, specify your requirements by multiplying the quantity set for each. (Minimum order quantity for Strip Form contacts is 1-reel's quantity)

• Minimum order quantity for tooling is one.

• Mini-Applicator is for use on Automachine (See the preceding page. Contact our Sales Department for details).

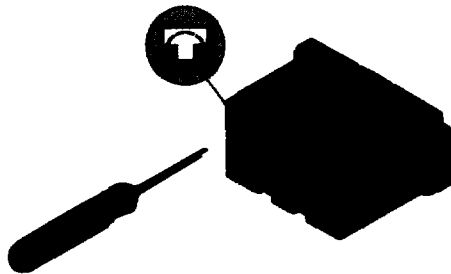
• Strip Form contacts are used with Mini-Applicator and Loose-Piece contacts are with hand tools.

■ **Extraction Tool**

- Used to extract contacts from wire type tab / receptacle housing.
- D-5 Extraction Tool is used for D-3 contacts too. (Take care when inserting the lance section of D-5 is turned upside down to that of D-3.)
- With D-5 contacts only, it is possible to extract using a small-sized slotted screwdriver or something like eyeleteer.

○ **How to Use Extraction Tool**

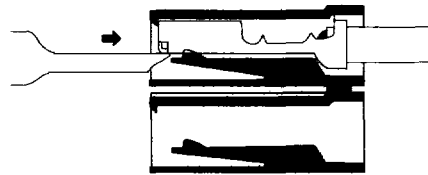
Part Number : 234168-1
 (Minimum order quantity for D-3 Extraction Tool : 1)



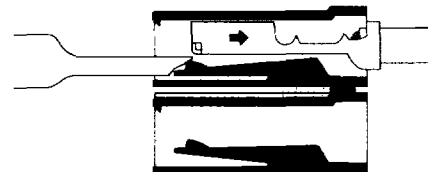
① Holding Insert Extraction Tool in the direction as shown, insert into the narrow lower section of Housing's reverse convex hole (make sure that you are holding tool in proper position, top and bottom.)

* Take care not to insert tool into contact section. If you've inserted by error, replace the contact with a new one before proceeding the work.

When Using D-3 Extraction Tool

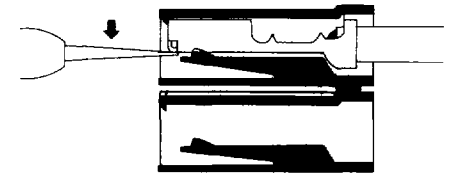


② The tip of Extraction Tool depresses housing lance, letting contact free.

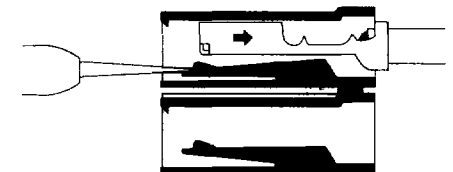


③ Contact can now be pulled out.

When Using Slotted Screwdriver or Eyeleteer, etc.



② When you butt the tip of tool at lance section and depress it, contact is released free.



③ Contact can be pulled out.

Wire to Board Connectors AMP Dynamic Series Connectors / D-5200 Series Application Tooling Mounting Hardware

Application Tooling

■AMP-O-LECTRIC G Terminator

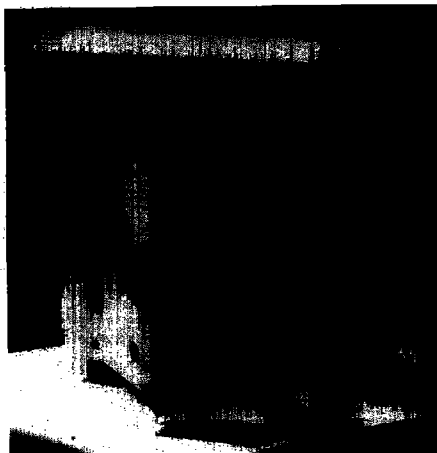
(Semi-automatic Terminating Machine)

- Extremely low noise-76 dB.
- Precise adjustment of crimp heights can be done automatically or manually.
- No tool is required for changing applicators.
- Equipped with both total-and lot counters (LED Multi-Display).
- CQM (Crimp Quality Monitor)can be loaded.

- Dimension : 643mm W X 442mm D X 508mm H
- Weight: 110kg
- Power Supply: 100V AC 50 / 60Hz
- Cycle Time: 5,000 cycles / hour max.

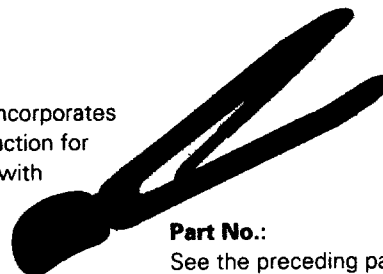
Machine Body Part Number:

□-354500-□



■Hand Tool

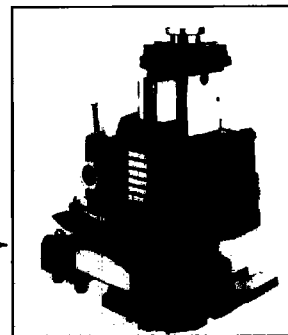
The crimping section incorporates Straight Action construction for improved reliability as with automachine.



Part No.:

See the preceding page.

Minimum order quantity: 1



Mini-Applicator

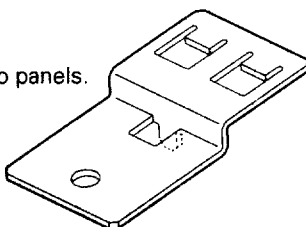
Part Number : See the preceding page

Minimum order quantity: 1

Mounting Hardware

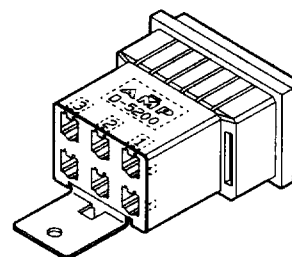
■L Fittings

Used to secure free-hanging type tab housing onto panels.

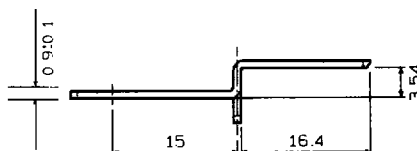
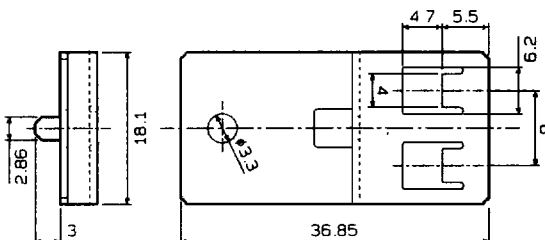


Part Number : 917806-2(L)

Minimum order quantity: 500



■External Dimensions



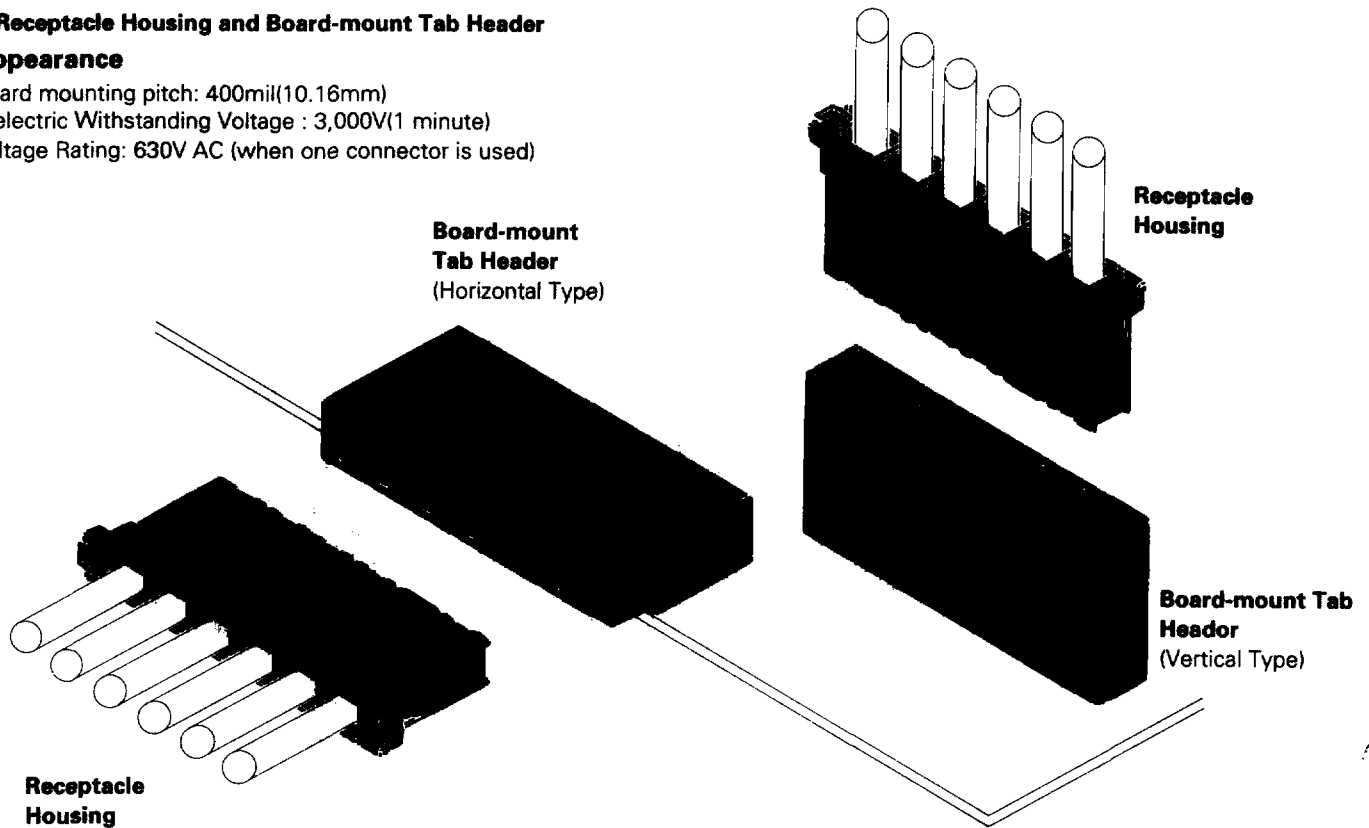
The location of attachment to housing varies by series and size. Check with sample.

**Wire to Board Connectors
AMP Dynamic Series Connectors / D-5200 Series
D-5200S Standard 1-row Type**

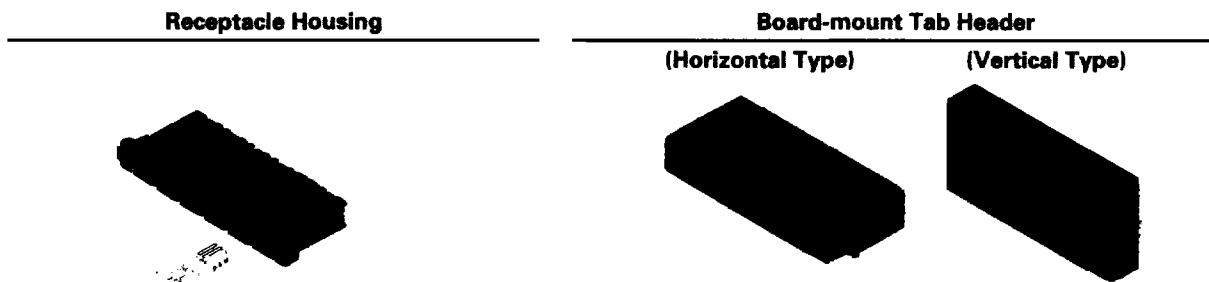
■ Receptacle Housing and Board-mount Tab Header

Appearance

Board mounting pitch: 400mil(10.16mm)
Dielectric Withstanding Voltage : 3,000V(1 minute)
Voltage Rating: 630V AC (when one connector is used)



■ Part Number Table



Receptacle Contact.....For each line of contacts, refer to the appropriate page.

No. of Pos.	Keying	Part Number of Receptacle Housing	Part Number of Tab Housing		Part Number of Board-mount Tab Header		Minimum Order Quantity
			Panel Type	Free-hanging Type	Horizontal Type	Vertical Type	
4	X	1-179958-4	Use 2-row 4-and 6-position D-5200Ms, 4-and 6-position Panel and Free-hanging Types.		1-917541 - <input type="checkbox"/>	1-917542 - <input type="checkbox"/>	100
	Y	2-179958-4			2-917541 - <input type="checkbox"/>	2-917542 - <input type="checkbox"/>	
6	X	1-179958-6			1-179959 - <input type="checkbox"/>	1-179960 - <input type="checkbox"/>	70
	Y	2-179958-6			2-179959 - <input type="checkbox"/>	2-179960 - <input type="checkbox"/>	

For each line of L fittings, refer to the appropriate page.

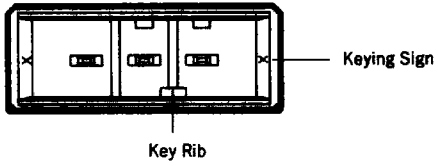
Note: Enter the following plating code in Part Number suffix-

- 2 : 0.38 μ m thick gold plating
- 3 : 0.78 μ m thick gold plating

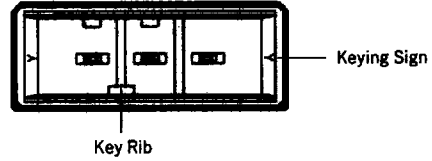
Wire to Board Connectors AMP Dynamic Series Connectors / D-5200 Series D-5200S Standard 1-row Type

■Keying

Keying is provided with this product(D-5200S)for use in preventing misinsertion. Two types, X and Y, are available.(Shown below is the mated interface of Tab Header).



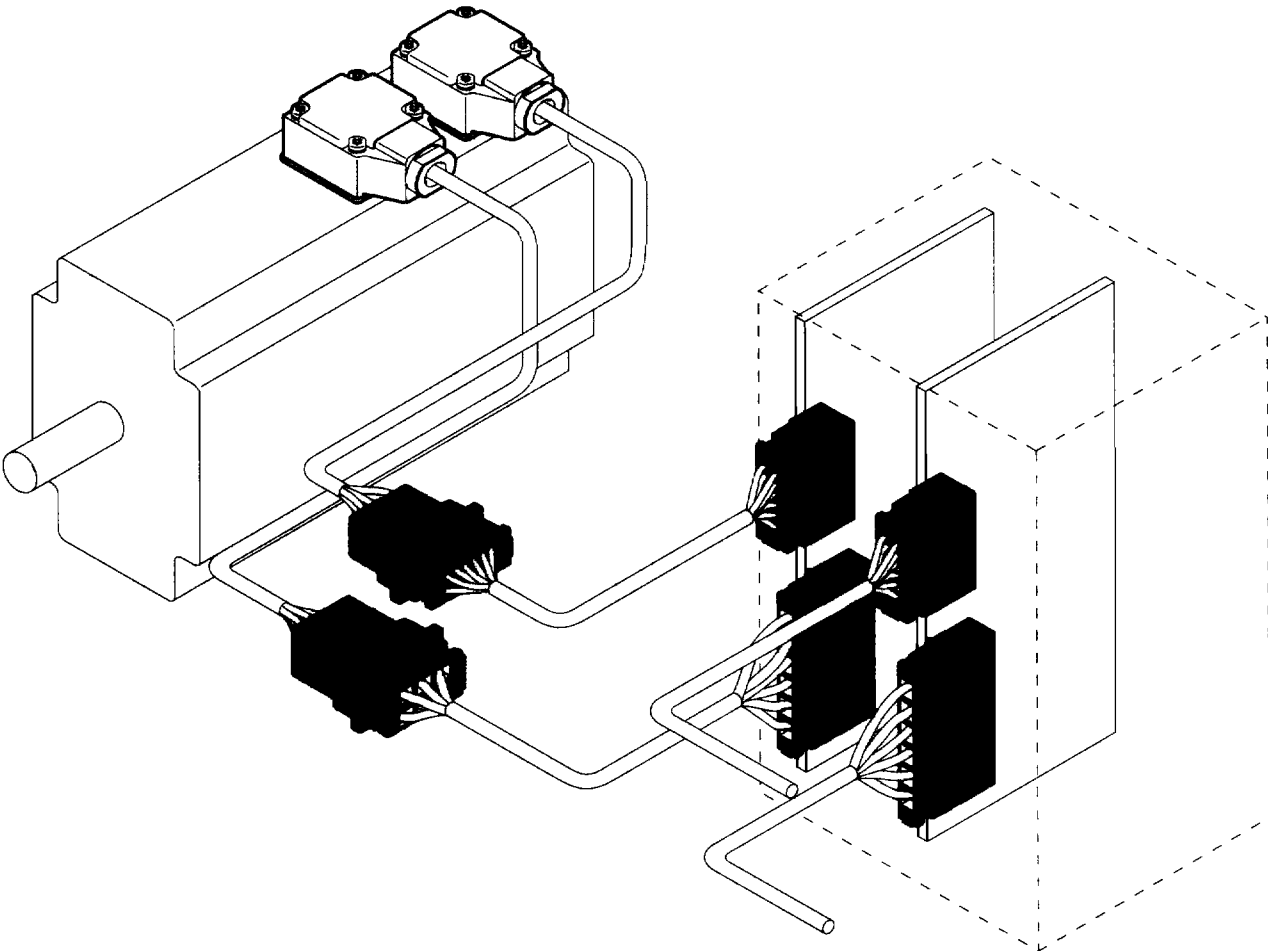
X-Type



Y-Type

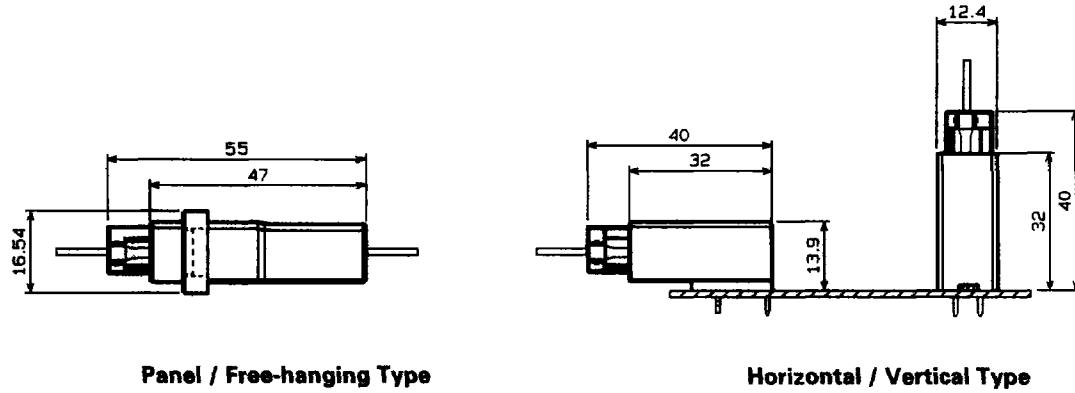
■Application

Servo-motor / servo-driver — Typical Application



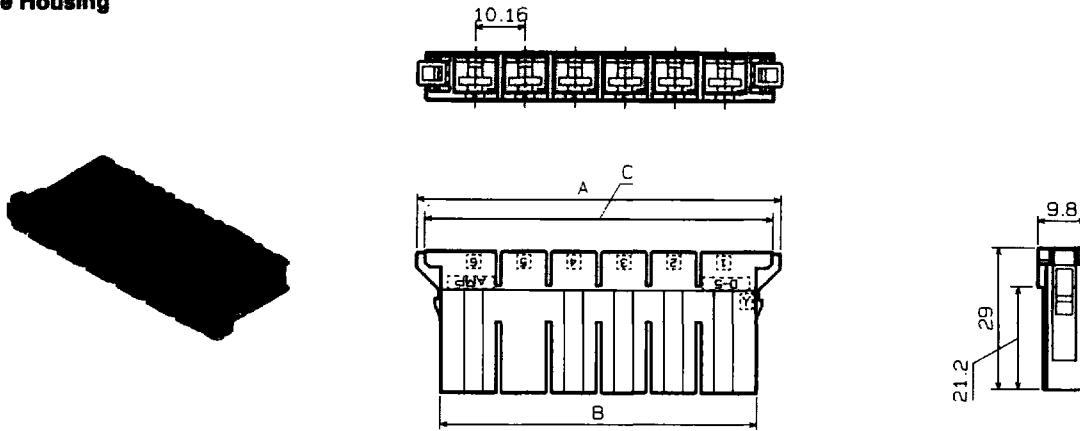
**Wire to Board Connectors
AMP Dynamic Series Connectors / D-5200 Series
D-5200S Standard 1-row Type**

■ **Mating Dimensions**



■ **External Dimensions**

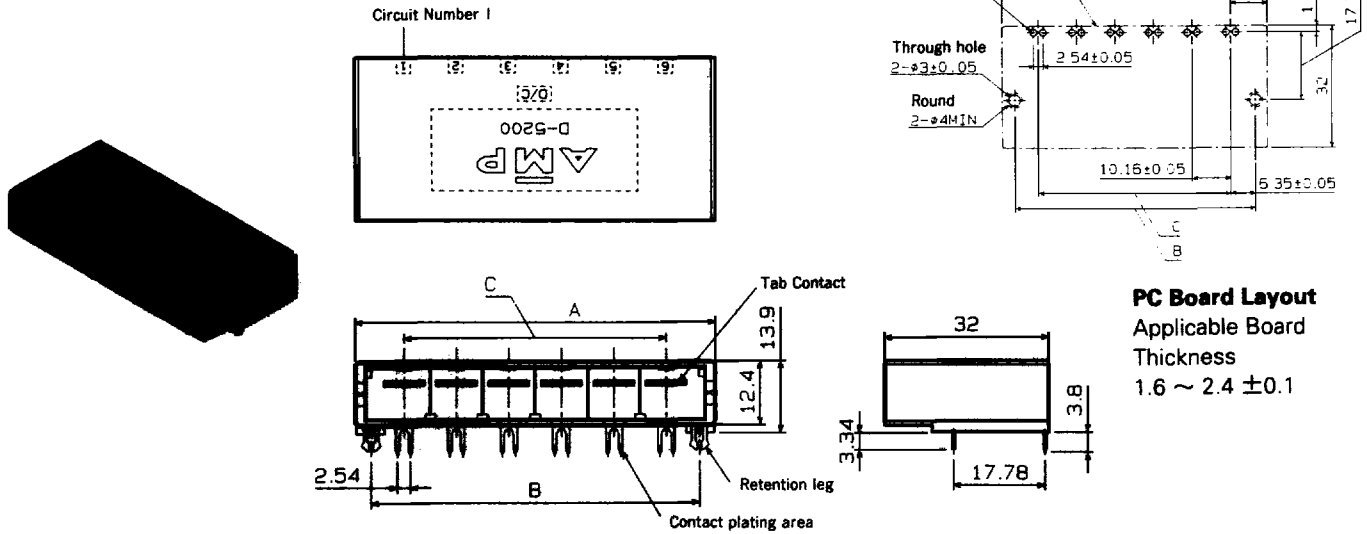
Receptacle Housing



No. of Position	Part Number of Receptacle Housing	Dimensions	
		A	B
2	□-179958-2		
3	□-179958-3		
4	□-179958-4	53.68	44.08
5	□-179958-5		
6	□-179958-6	74.00	64.40

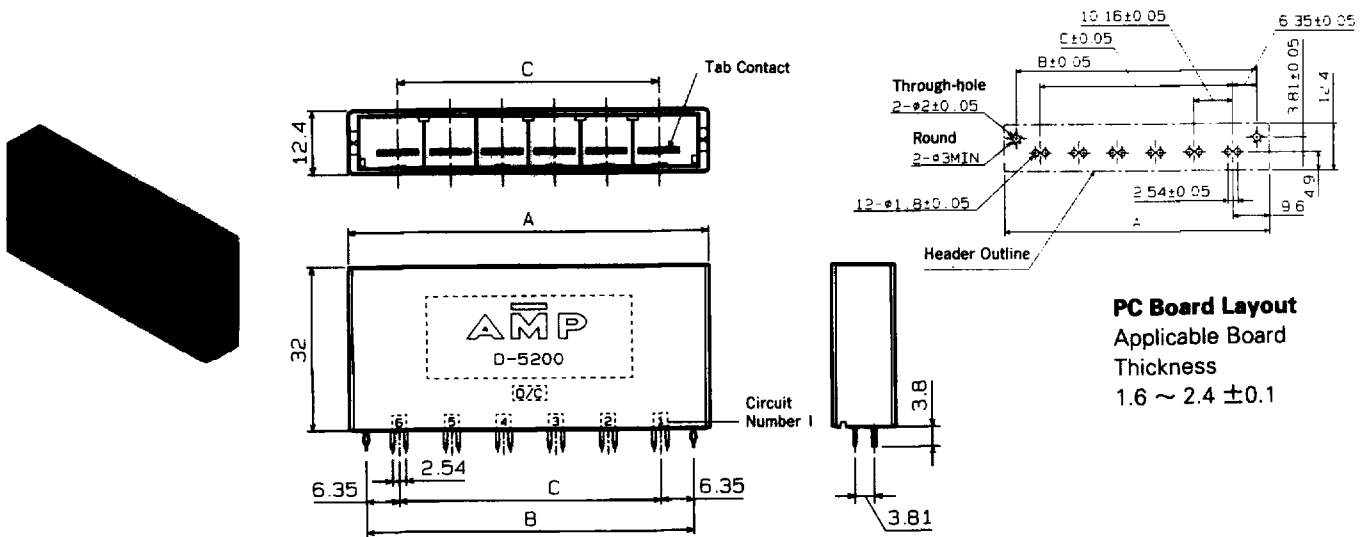
Wire to Board Connectors AMP Dynamic Series Connectors / D-5200 Series D-5200S — Standard 1-row Type

■Board-mount Tab Header (Horizontal Type)



No. of Position	Part Number of Tab Header	Dimensions		
		A	B	C
4	□-917541-□	49.68	43.18	30.48
6	□-179959-□	70.00	63.50	50.80

■Board-mount Tab Header (Vertical Type)



No. of Position	Part Number of Tab Header	Dimensions		
		A	B	C
4	□-917542-□	49.68	43.18	30.48
6	□-179960-□	70.00	63.50	50.80

4

Wire to Board Connectors AMP Dynamic Series Connectors / D-5200 Series D-5200M — Modular Type

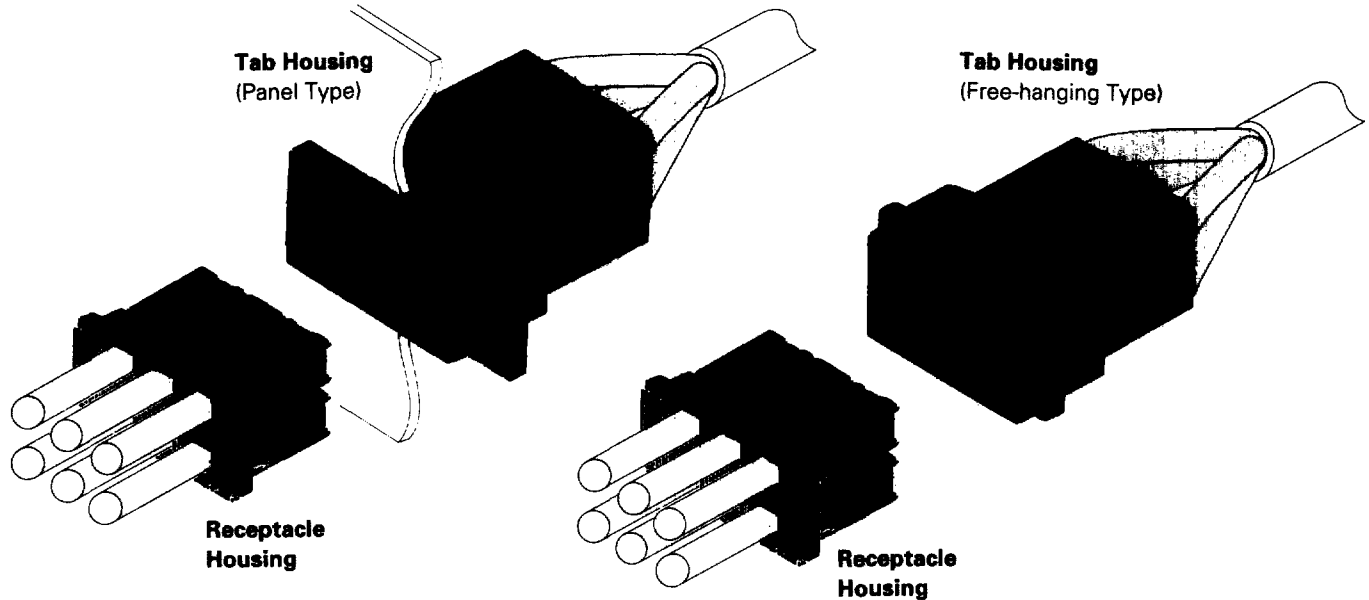
D-5200M—Can be used for modular application in conjunction with D-5200S.

Board mounting pitch: 400 X400mil(10.16 X10.16mm)

Dielectric Withstanding Voltage : 3,000V(1 minute)

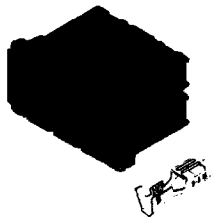
Voltage Rating: 630V AC (when one connector is used)

■External



■Part Number Table

Receptacle Housing

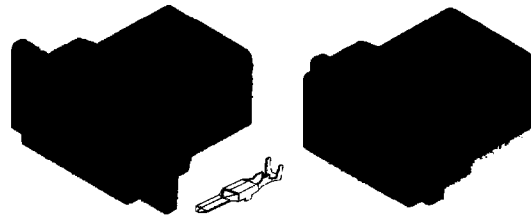


Receptacle Contact

Tab Housing

(Panel Type)

(Free-hanging Type)



Tab Contact

For each line of contacts, refer to the appropriate page.

No. of Position	Keying	Part Number of Receptacle Housing	Part Number of Tab Housing			Minimum Order Quantity
			Panel Type	Free-hanging Type	L Fitting	
4	XX	1-917807-2	1-917809-2	1-917808-2	L	170
	YY	2-917807-2	2-917809-2	2-917808-2	L	170
	XY	3-917807-2	3-917809-2	3-917808-2	L	170
6	XX	1-917807-3	1-917809-3	1-917808-3	L	120
	YY	2-917807-3	2-917809-3	2-917808-3	L	120
	XY	3-917807-3	3-917809-3	3-917808-3	L	120

Note: Enter the following plating code in Part Number suffix-□:

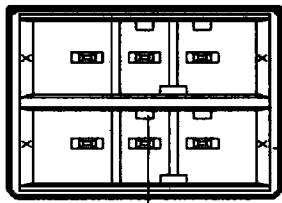
- 2 : 0.38 μm thick gold plating

- 3 : 0.76 μm thick gold plating

Wire to Board Connectors
AMP Dynamic Series Connectors / D-5200 Series
D-5200M — Modular Type

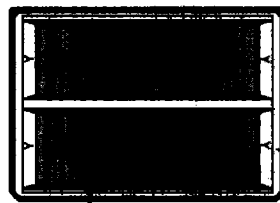
■ Keying

Keying is provided with this product(D-5200M)for use in preventing misinsertion. Three types, XX, YY, and XY, are available. (Shown below is the mated interface of Tab Header).



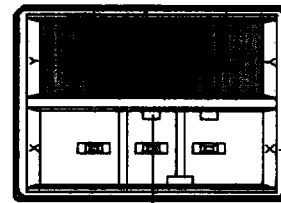
Key Rib

XX-Type



Key Rib

YY-Type



Key Rib

XY-Type

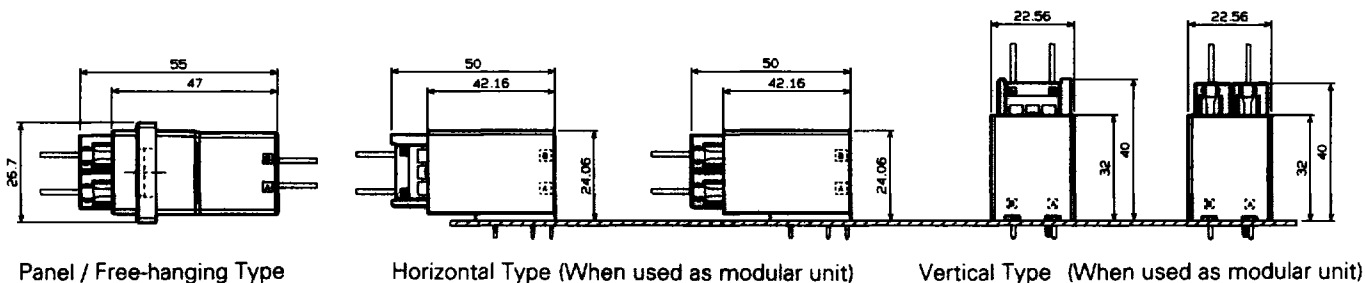
■ Table of Mating Combinations

1-row (D-5200S)	X-Type			1-row (D-5200S) Panel Type	X-Type Panel Type	1-row (D-5200S) Horizontal Type	X-Type Horizontal Type
	Y-Type			* Free-hanging Type	Free-hanging Type	* Vertical Type	Y-Type Horizontal Type
2-row	XX-Type			2-row Panel Type	XX-Type Panel Type	2-row Horizontal Type	XX-Type Horizontal Type
	YY-Type				YY-Type Panel Type		YY-Type Horizontal Type
	XY-Type				XY-Type Panel Type		XY-Type Horizontal Type
				* Free-hanging Type	Free-hanging Type	Vertical Type	Vertical Type
				* Free-hanging Type	Free-hanging Type	Vertical Type	Vertical Type
				* Free-hanging Type	Free-hanging Type	Vertical Type	Vertical Type

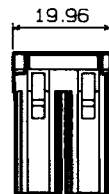
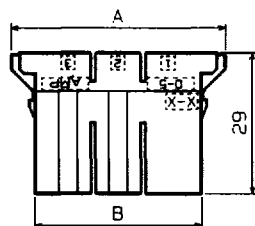
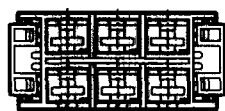
* mark stands for D-5200S Series

Wire to Board Connectors AMP Dynamic Series Connectors / D-5200 Series D-5200M — Modular Type

■ Mating Dimension

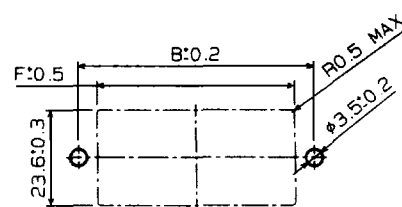
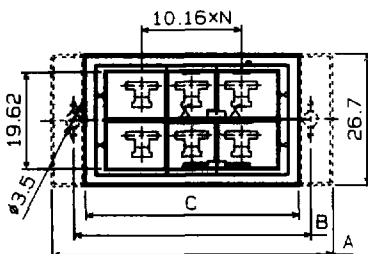
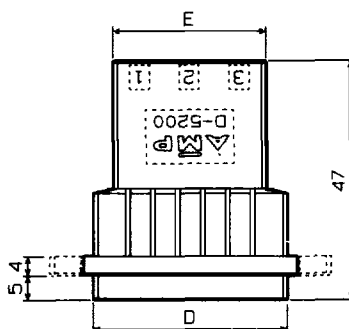
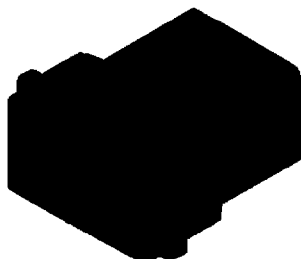


■ Receptacle Housing

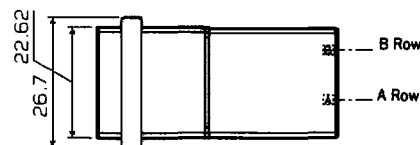


No. of Position	Part Number of Receptacle Housing	Dimensions	
		A	B
4	□-917807-2	33.36	23.76
6	□-917807-3	43.52	33.92

■ Tab Housing



Panel Cutout

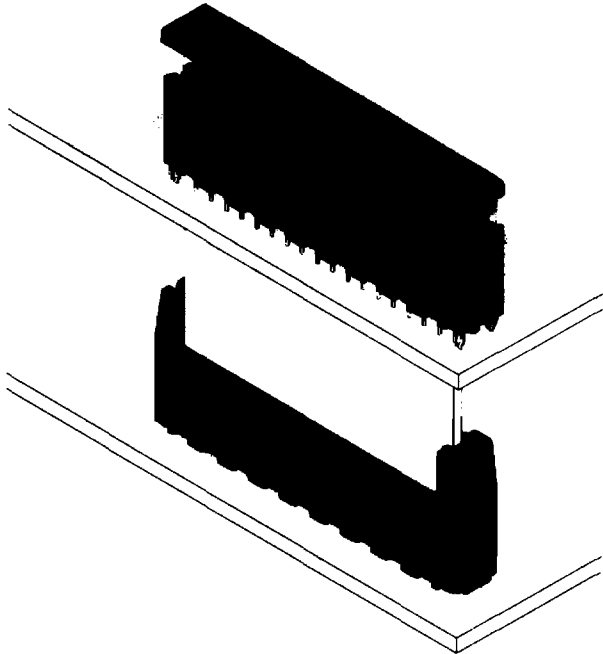


No. of Position	Part Number of Tab Housing		Dimensions					
	Panel Type	Free Hanging Type	A	B	C	D	E	F
4	□-917809-2	□-917808-2	47	38	33.44	29.36	21.11	30.40
6	□-917809-3	□-917808-3	57	48	43.60	39.52	31.27	40.50

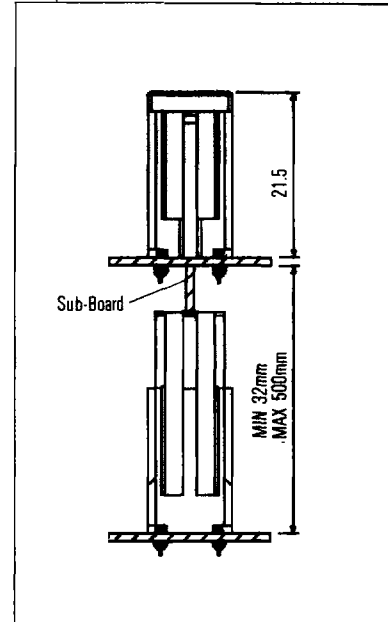
**Board to Board Connectors
AMP Dyna-Stack Connectors**

Other FA-related products.

Board mounting pitch : Vertical Type 150×300mils (3.81×7.62mm)



Mating Dimensions



Board-to-Board Parallel Interconnection (Stacking) Connectors, Designed Specifically for Application in the FA Industry.

- Heights between boards can be set freely and in wide dimensions (from lowest 32mm up to practical maximum of approx. 500mm).
- Bellows Type; there is no bent pin.
- Board assembly is easy and simple. Automation of assembly is possible.
- Only two points of contact even for multy-stage (more than 2) configurations.
- Low mating force.

Material & Finish	Contact: Copper alloy, plated gold (0.38μm thick) on contact area and solder on legs, with nickel underplate on entire contact. Housing & Housing Cover: UL94V-0 rated glass-filled PBT resin, black.
Voltage Rating	250V AC
Current Rating	2.5A (per position)
Operating Temp	-20°C~+85°C(incl. temperature rise of connector)
Insertions and extractions	less than 30 times

Safety Standard Approvals

The following safety standard approvals are applicable to products in this series. Please confirm approval status for specific Part Numbers by contacting our sales department. Also note that there are cases where data differ from AMP performance specifications.

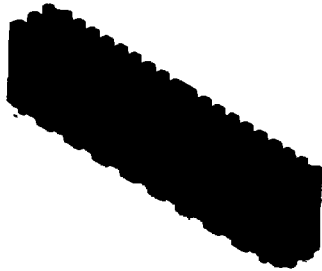
UL File No. E28476(Recognized Component)
Voltage Rating: determined by equipment in use.
Current Rating: determined by equipment in use.
Temperature rating: 130°C

CSA Report No. LR7189
Voltage Rating: 250V AC
Current Rating: 2.5A
Temperature Rating: 130°C

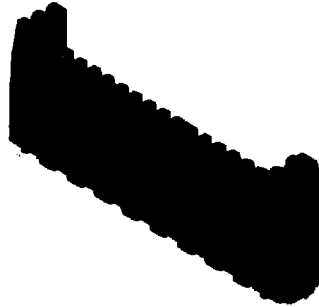
TÜV License No. 9151551
Voltage Rating: 250V AC/300V DC (3.81mm pitch)
Current Rating: 2.5A
Temperature Rating: -20°C to +105°C
Insulation Group: B
IP Protection: IP-00

**Board to Board Connectors
AMP Dyna-Stack Connectors**

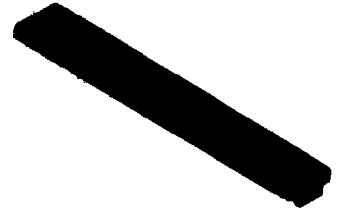
Bottom Entry Assembly



Top Entry Assembly



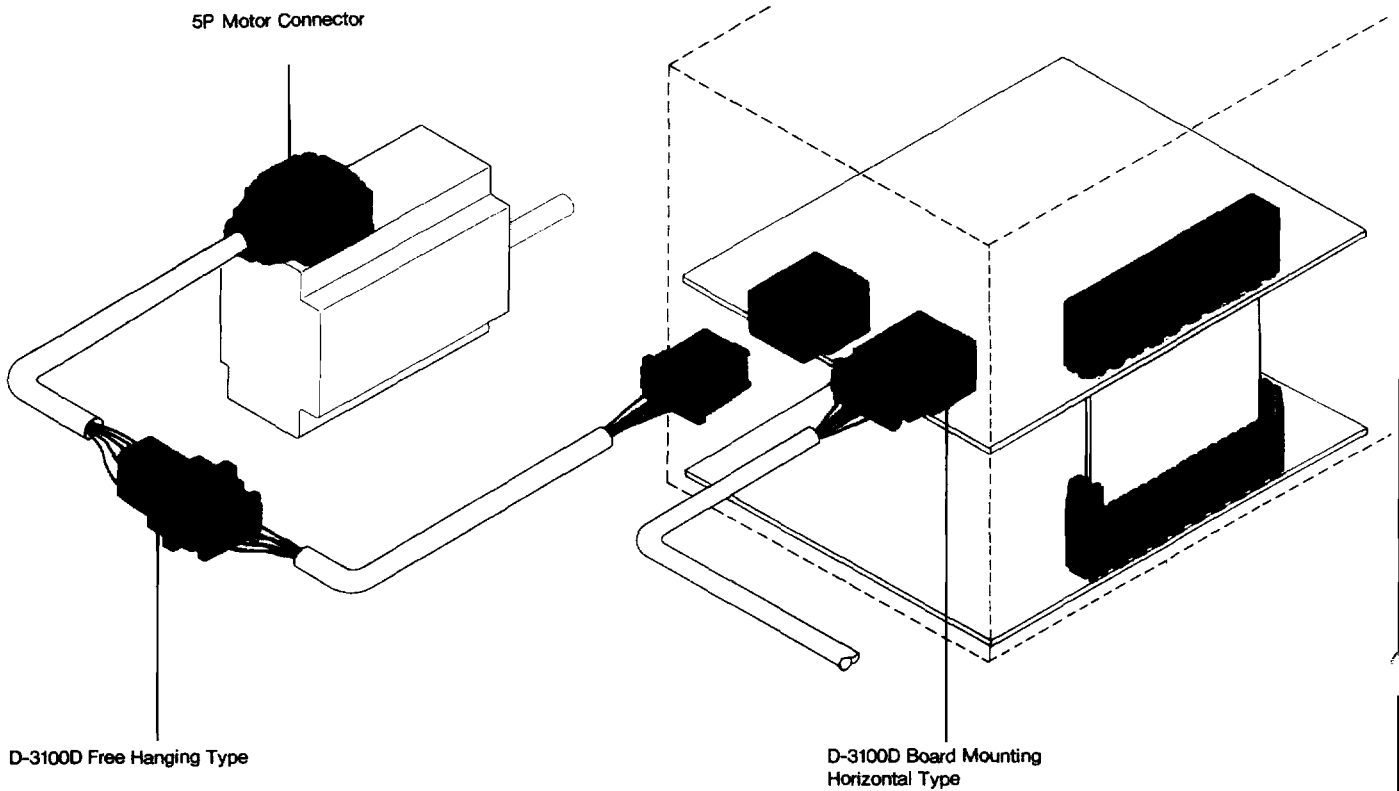
Dust Cover



Part Number Chart

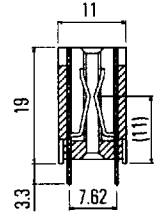
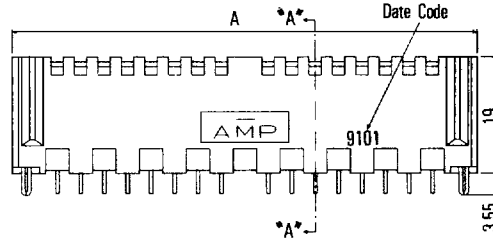
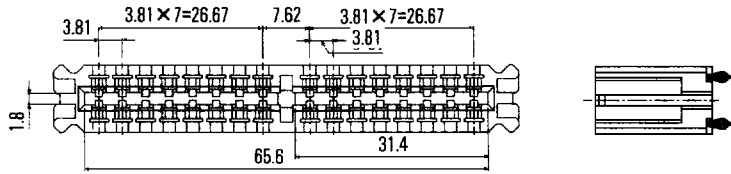
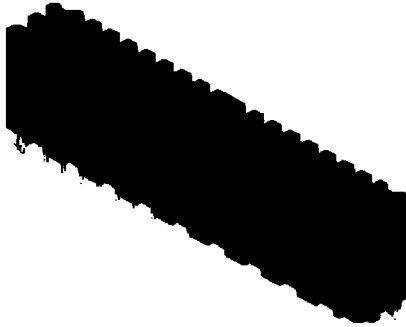
No. of Pos.	Bottom Entry Assembly	Top Entry Assembly	Dust Cover
32	178635-1	178636-1	178989-1

Application Typical Application on Servo Motor/Servo Driver

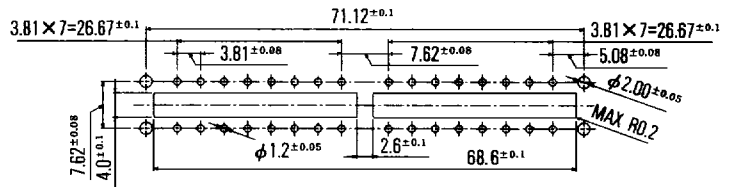


**Board to Board Connectors
AMP Dyna-Stack Connectors**

**External Dimensions
Bottom Entry Assembly**



Cross-section "A" - "A"

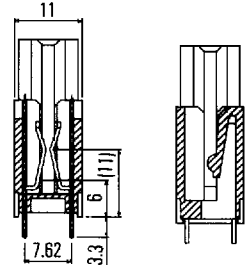
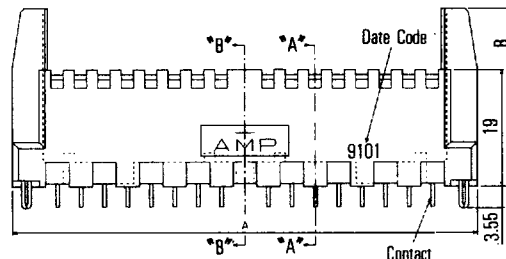
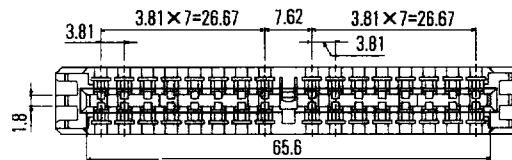
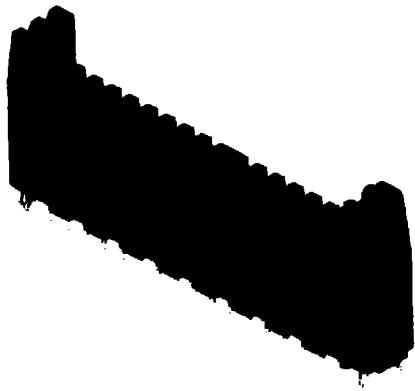


PC Board Layout

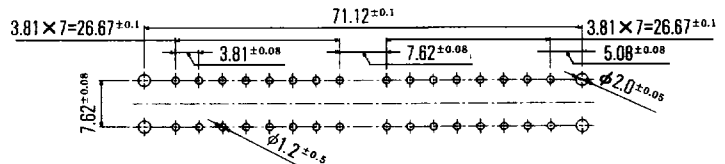
Acceptable Board Thickness:
1.6 ± 0.1

No. of Pos.	Part Number
32	178635-1

Top Entry Assembly



Cross-section "A" - "A" "B" - "B"



PC Board Layout

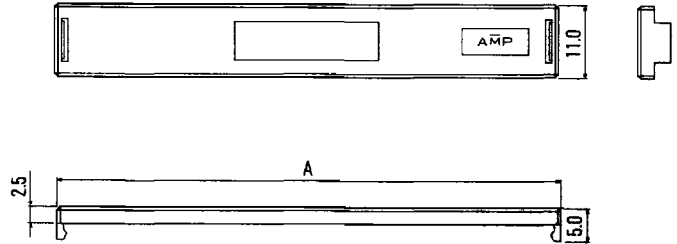
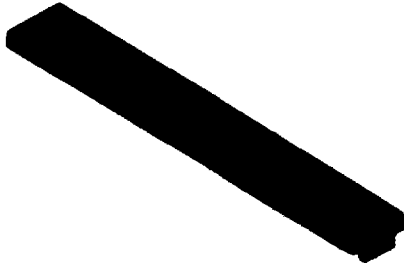
Acceptable Board Thickness:
1.6 ± 0.1

No. of Pos.	Part Number
32	178636-1



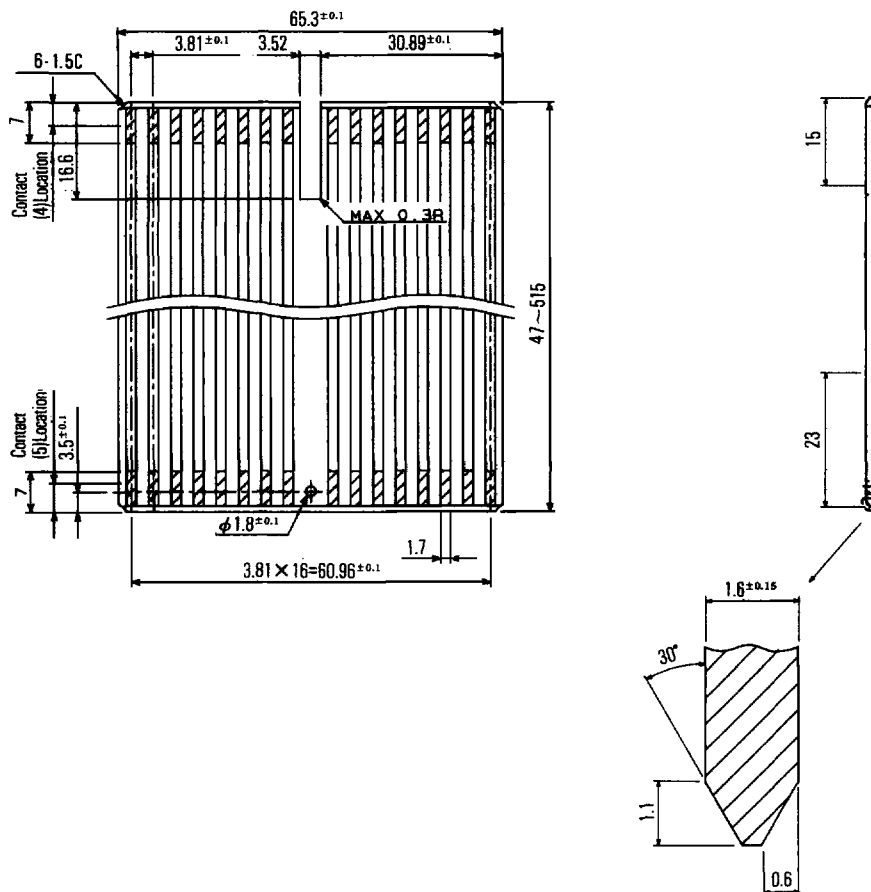
**Board to Board Connectors
AMP Dyna-Stack Connectors**

■ **Dust Cover**



No. of Pos.	Part Number
32	178989-1

■ **Sub-board**

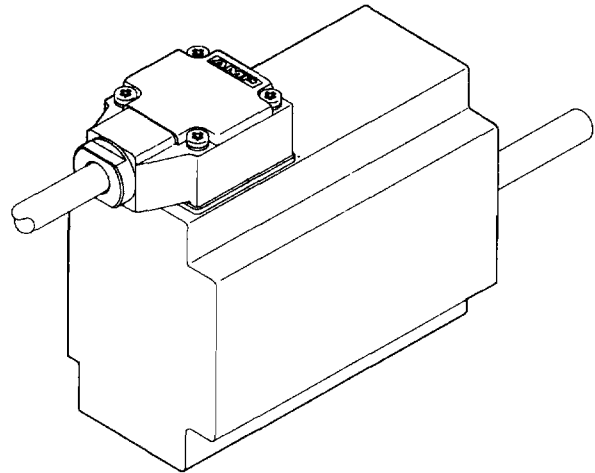


Wire to Board Connectors 5P Motor Connectors

Connectors specifically designed for use with water-proof motors.

- With a ground contact added, it can be used as a 6-position connector.
- It can also be used a range of other equipment as a panel-mounted 5-position water-proof connector.

Material & Finish	Contact: Phosphor bronze, plated gold (0.38 μ m thick) on contact area	
	Receptacle Housing: UL94V-0 rated, glass-filled PBT resin, black	
	Tab Header Housing: Liquid crystal polymer, black	
	Case: Zinc die-cast, plated nickel Packing etc.: Nitrile rubber, black	
Voltage Rating	250V AC	
Current Rating	8A	
Operating Temp	-30 $^{\circ}$ C ~ +105 $^{\circ}$ C	
Insertions and extractions	30 times	
Product Spec.	108-5323	
Crimp Spec.	114-5091	
Instruction Sheet	IS-529J	
Hand Tool	911799-2	IS-481J
Instruction Sheet	911788-2	IS-480J
Extraction tool I.S.	IS-287J	

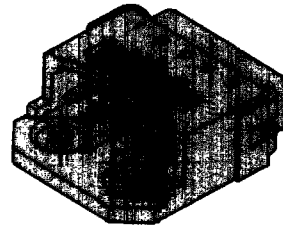
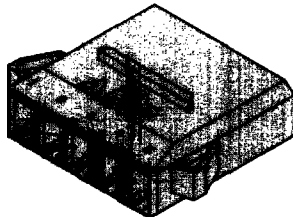
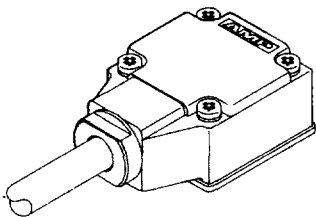


4

Case Kit

Receptacle Housing

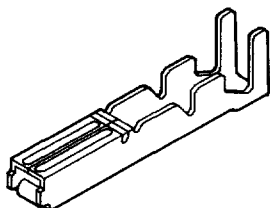
Tab Header Kit



No. of Pos.	Case Kit	Receptacle Housing	Tab Header Kit	Minimum Order Lot
5	175941- <input type="checkbox"/>	175942-1	176129-1	10

Note: * For Part Number's , choose from the following suffix numbers according to the diameter of cap tire cable used.
 -1 for ϕ 6.5 cap tire cable
 -2 for ϕ 7.5 cap tire cable

■ Contact—070 Receptacle Contact

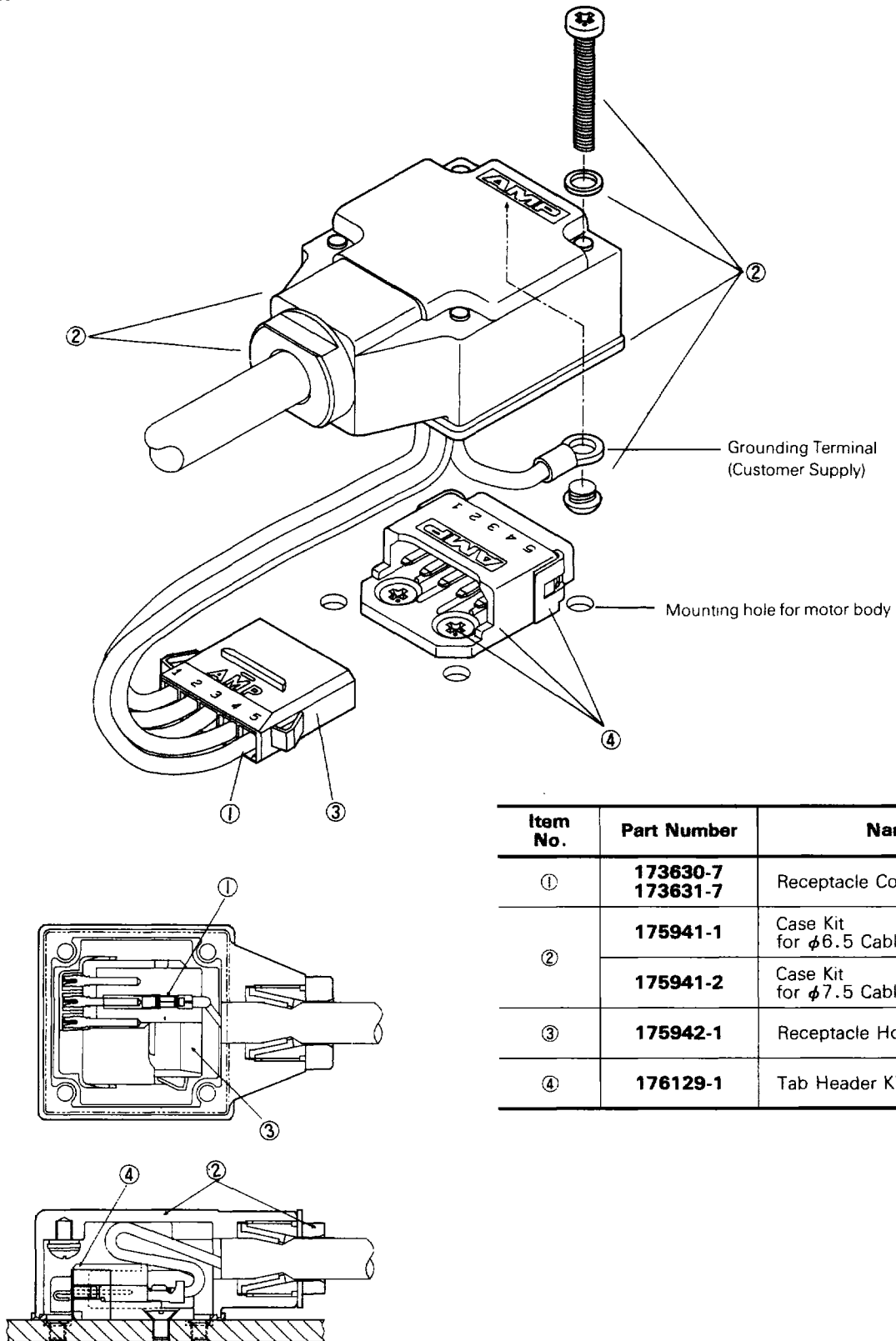


AWG	Wire Range		Part Number	Hand Tool
	mm ²	Wir. Ins. Dia.		
24-22	0.2-0.3	1.4-1.8	Strip Form	173630-7
			Loose Piece	175026-7
20-16	0.5-1.25	2.0-2.6	Strip Form	173631-7
			Loose Piece	175027-7

Note: * Material and Finish: Phosphor bronze, plated 0.38 μ m gold on contact area.
 Extraction Tool Part Number: 755430-1

Wire to Board Connectors 5P Motor Connectors

Application



Item No.	Part Number	Name
①	173630-7 173631-7	Receptacle Contact
②	175941-1	Case Kit for $\phi 6.5$ Cable
	175941-2	Case Kit for $\phi 7.5$ Cable
③	175942-1	Receptacle Housing
④	176129-1	Tab Header Kit

Wire to Board Connectors 5P Motor Connectors

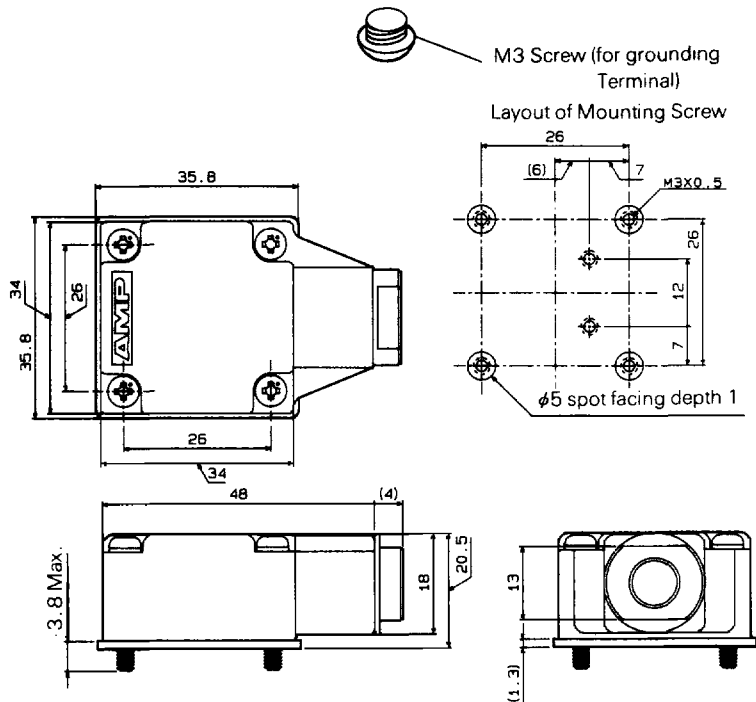
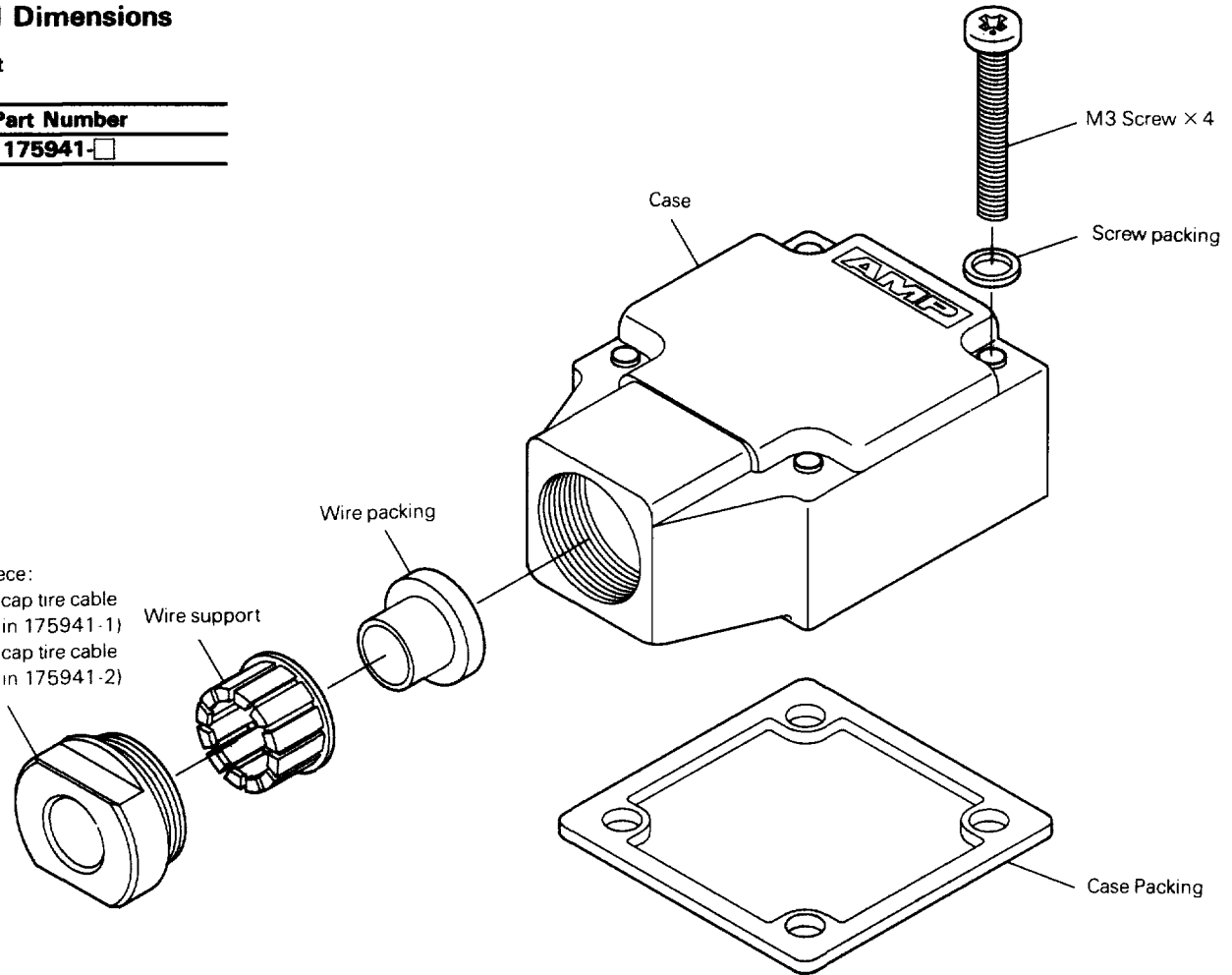
External Dimensions

■ Case Kit

Part Number
175941-□

Mouth piece:

For $\phi 6.5$ cap tire cable
(included in 175941-1)
For $\phi 7.5$ cap tire cable
(included in 175941-2)

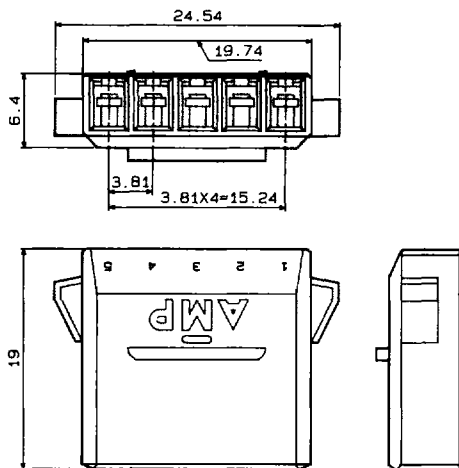
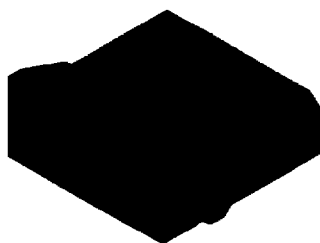


Wire to Board Connectors

5P Motor Connectors

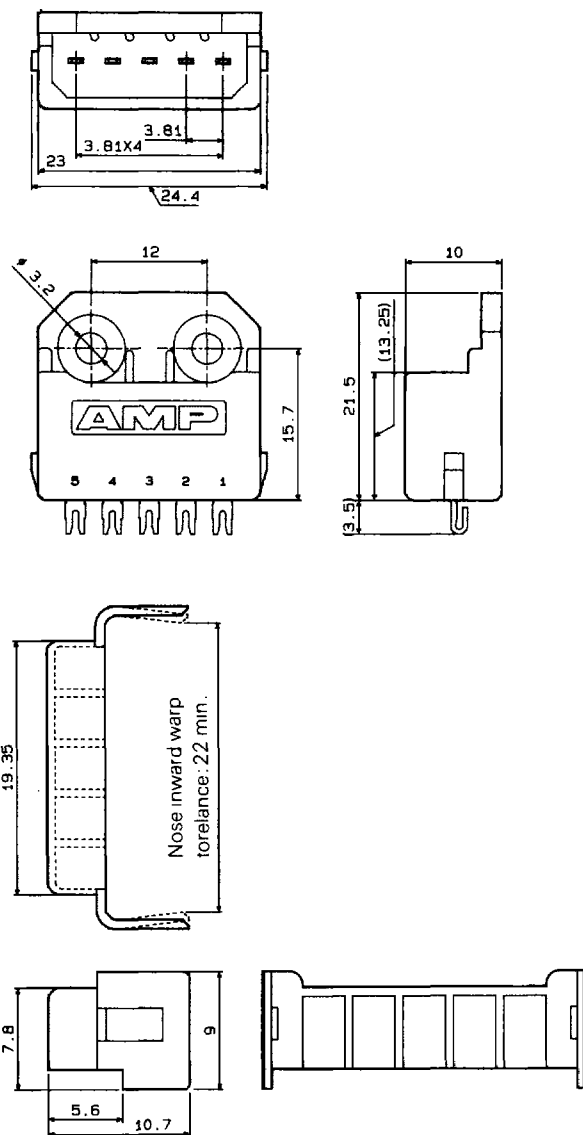
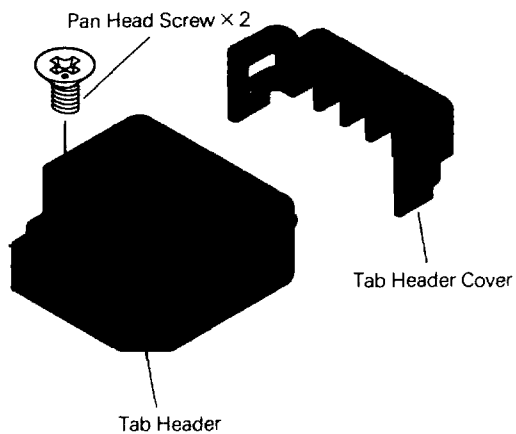
■Receptacle Housing

Part Number
175942-1



■Tab Header Kit

Part Number
176129-1

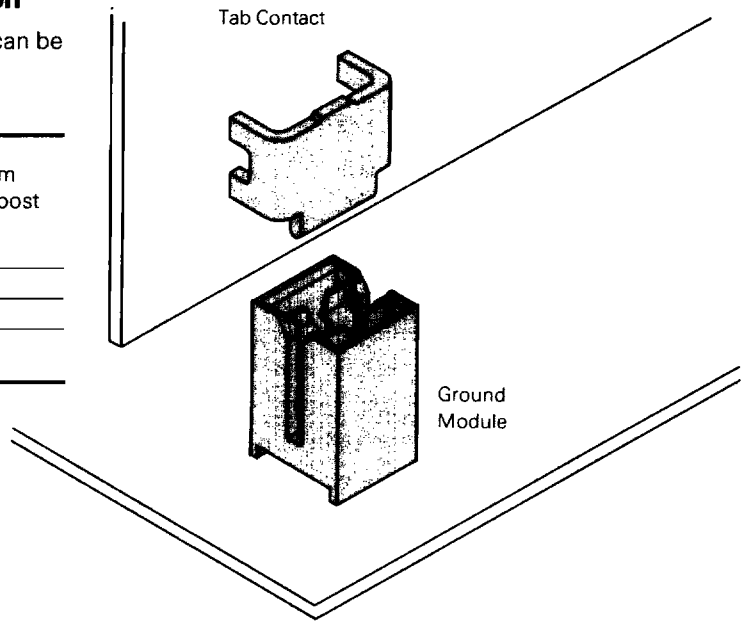


Wire to Board Connectors Ground Module

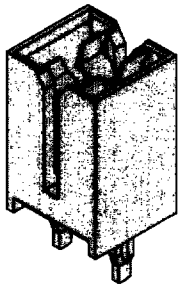
Power Connector for Board-to-Board Application

● It can be used for tab contact connection. Besides, board can be directly inserted into this connector.

Material & Finish	Housing: Glass-filled thermoplastic, blue Contact: Copper alloy, plated gold (1.27 μ m thick) on contact area and tin on post area Tab Contact: Brass, 1.27 μ m plated gold
Current Rating	20A
Operating Temp	-55°C ~ +85°C
Insertions and extractions	30 times

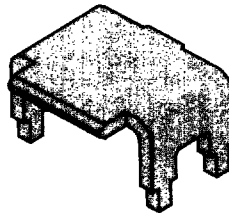


Ground Module



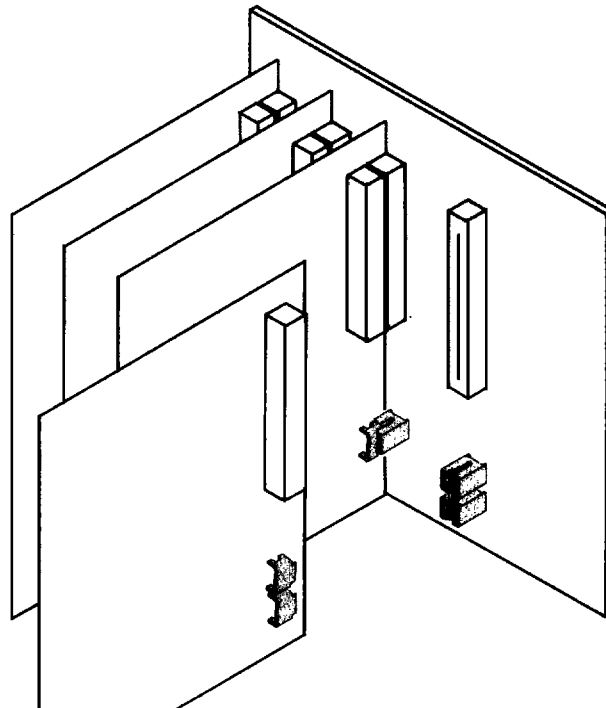
Part Number
119341-1

Tab Contact



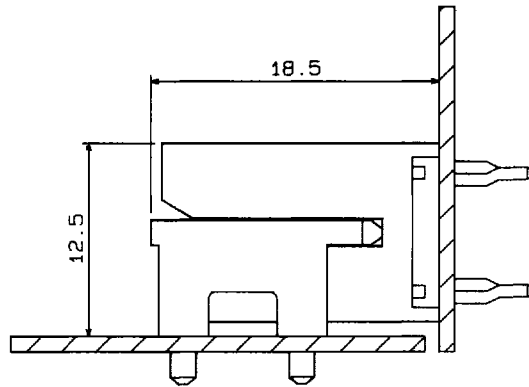
Part Number
175145-2

Application



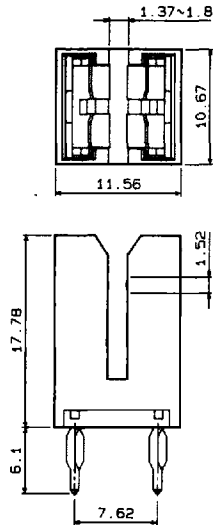
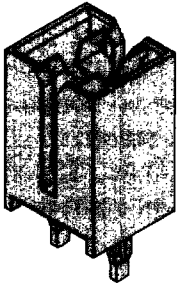
Wire to Board Connectors Ground Module

Mating Dimensions



External Dimensions

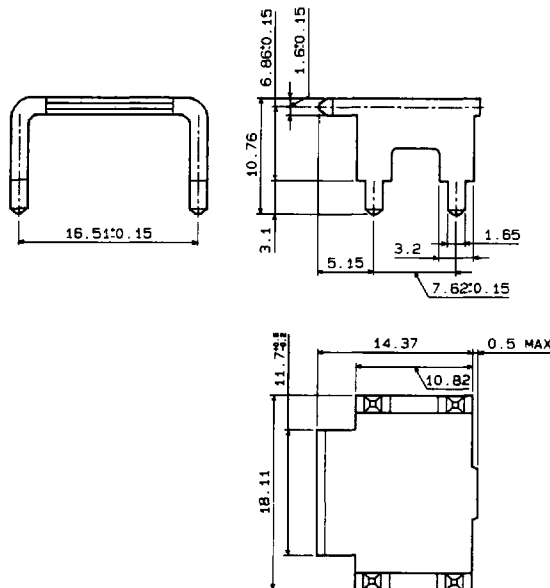
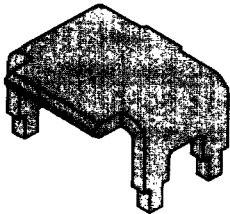
■ Ground Module



Applicable Board Thickness: 1.37~1.8

Part Number
119341-1

■ Tab Header



Part Number
175145-2