

Wire to Board Connectors

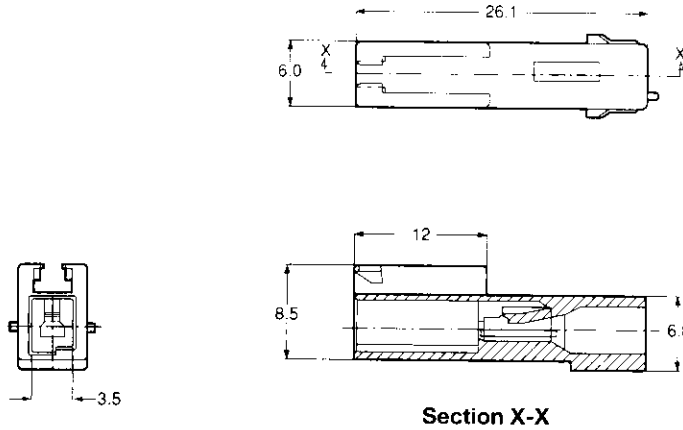
Power Double Lock Connectors/3.96mm Centerline

Free-Hanging Type Cap Housing

For 1 Circuit

Material :
UL94V-0 rated, 66 Nylon

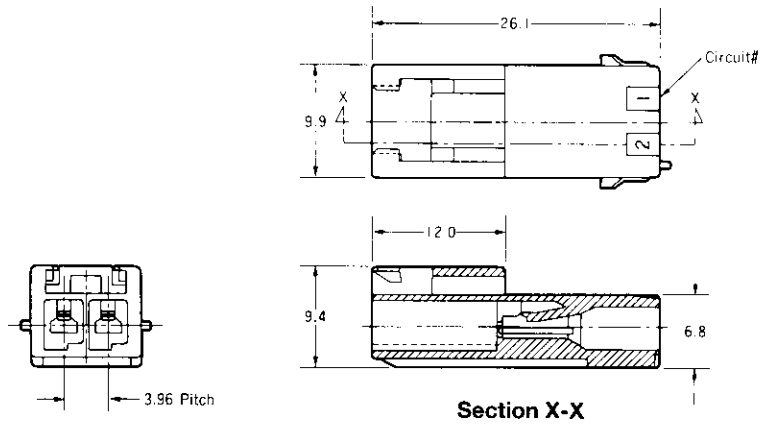
- Part Number :**
316769-1 (Natural)
316769-2 (Red)
316769-4 (Yellow)
316769-6 (Blue)
316769-9 (Black)



For 2 Circuits

Material :
UL94V-0 rated, 66 Nylon

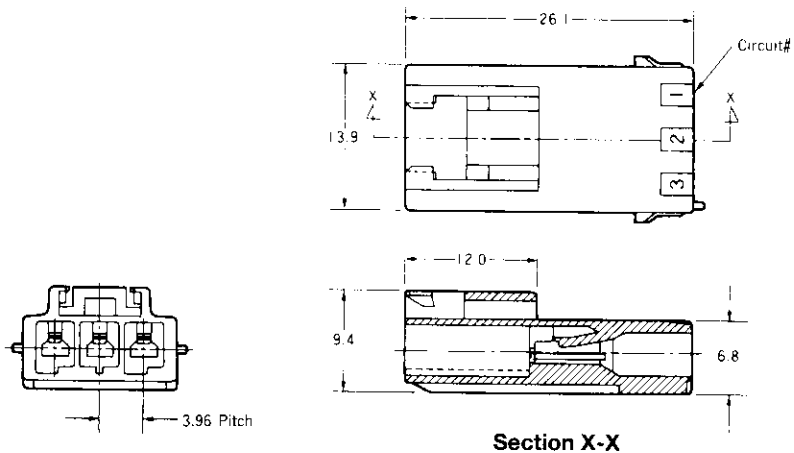
- Part Number :**
179463-1 (Natural)
179463-2 (Red)
179463-4 (Yellow)
179463-6 (Blue)
179463-9 (Black)



For 3 Circuits

Material :
UL94V-0 rated, 66 Nylon

- Part Number :**
179464-1 (Natural)
179464-2 (Red)
179464-4 (Yellow)
179464-6 (Blue)
179464-9 (Black)



4