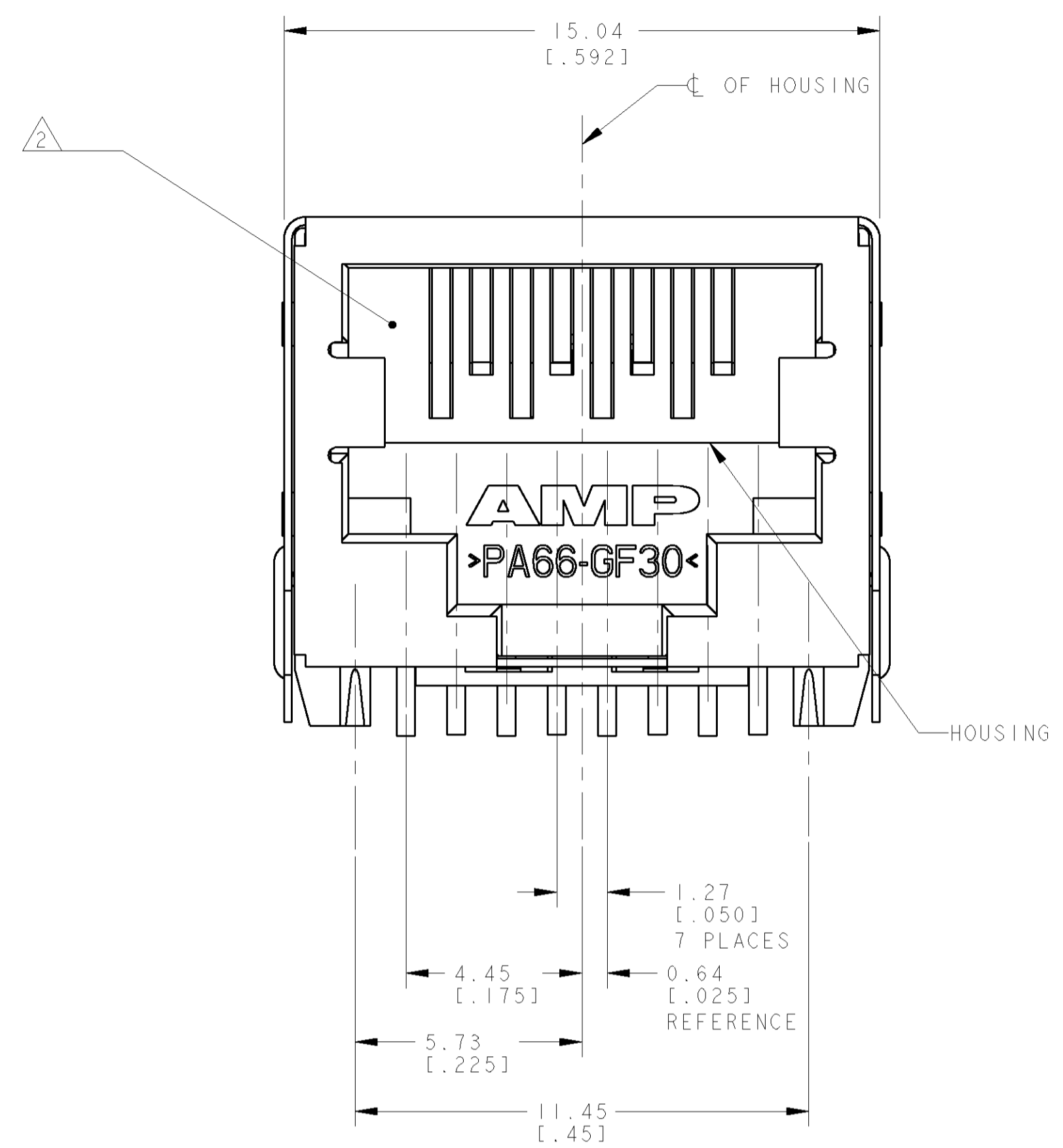
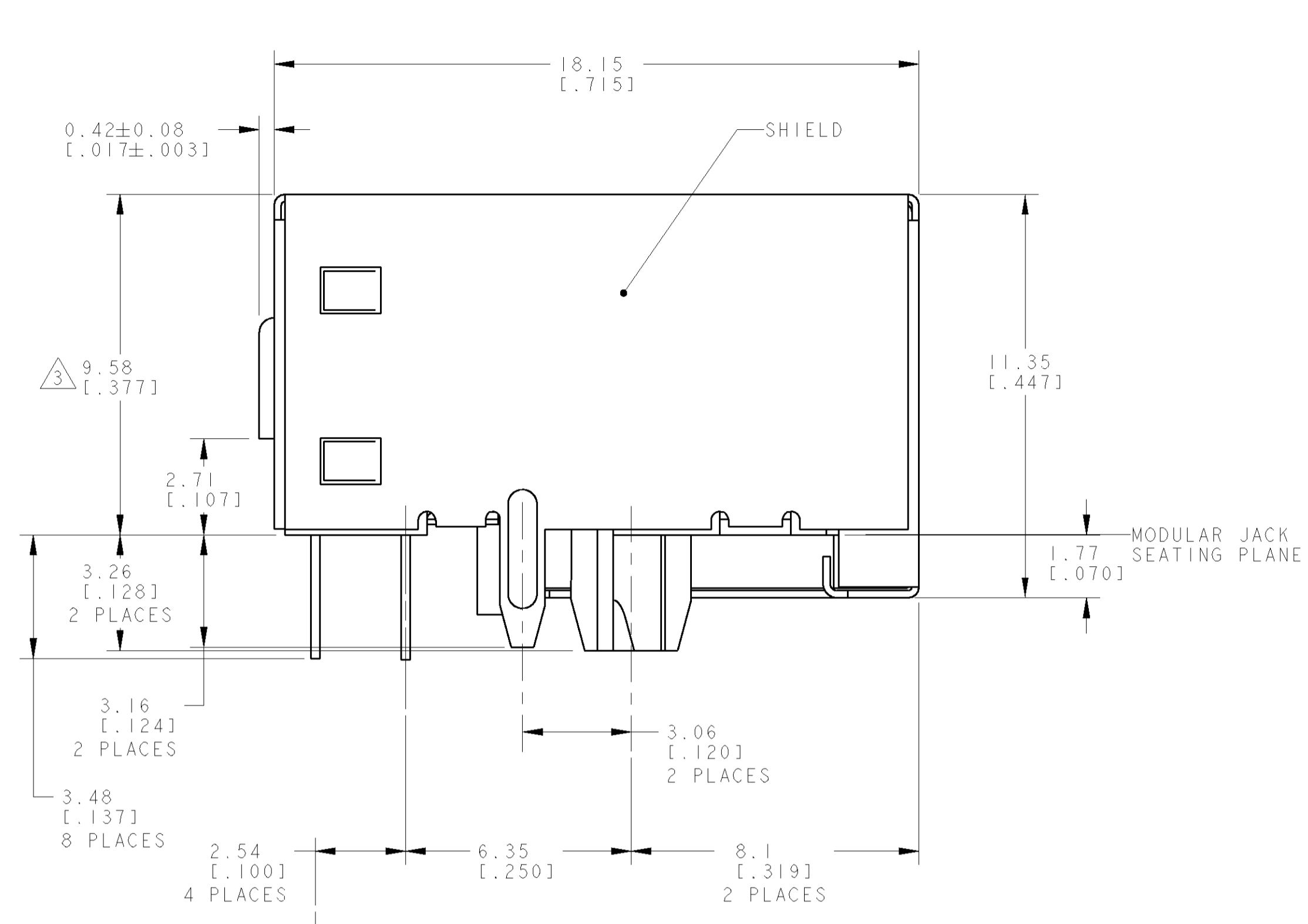
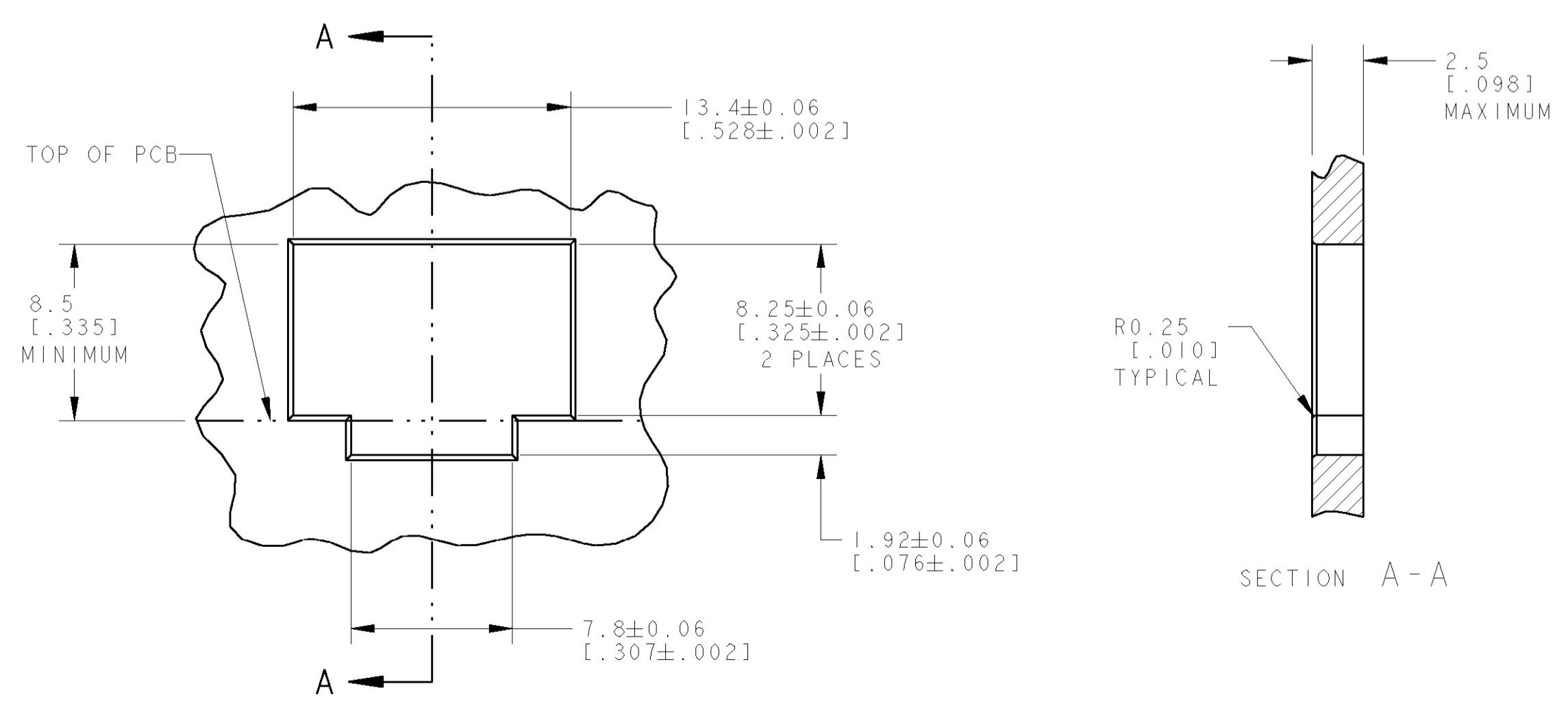
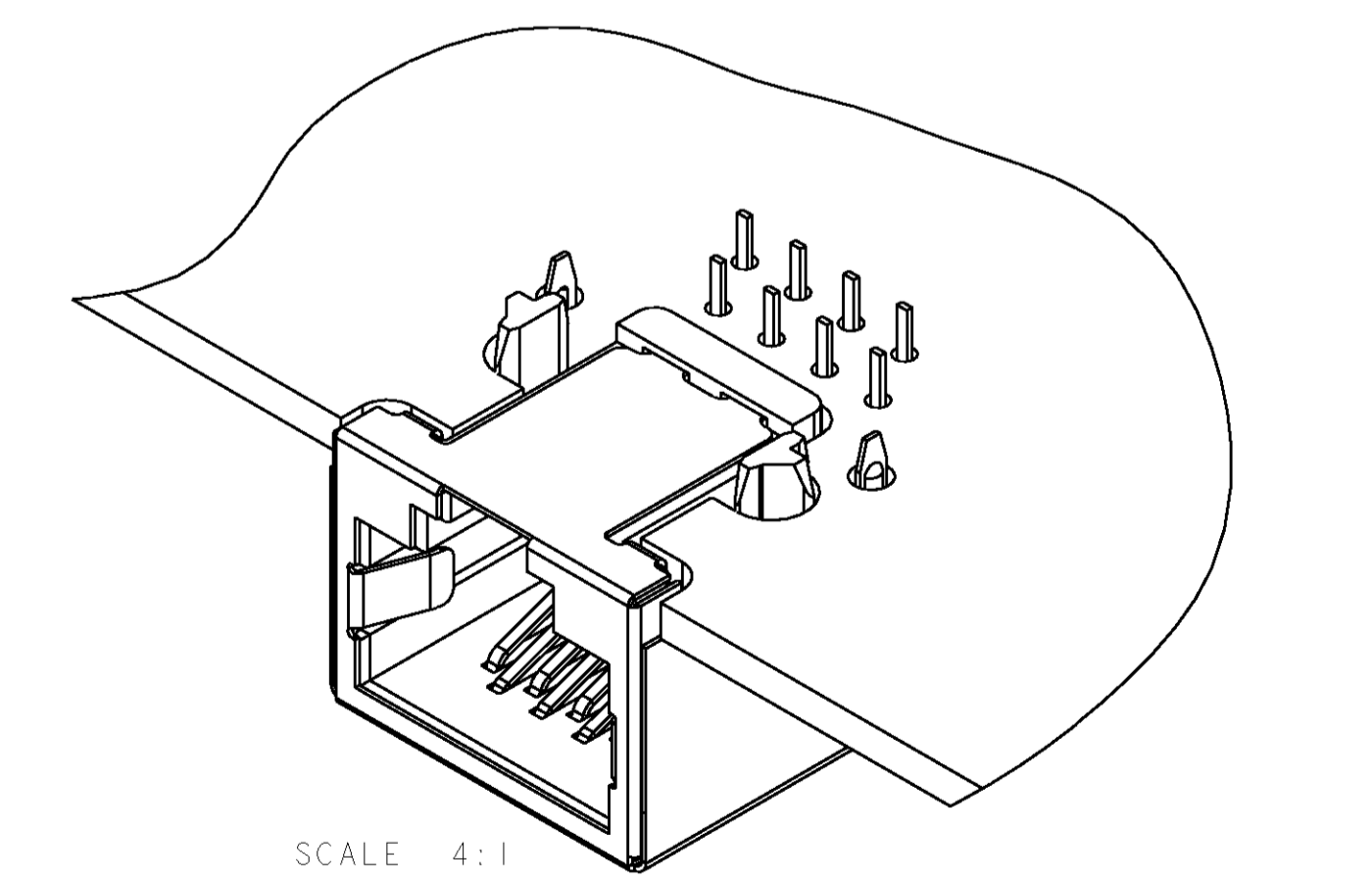
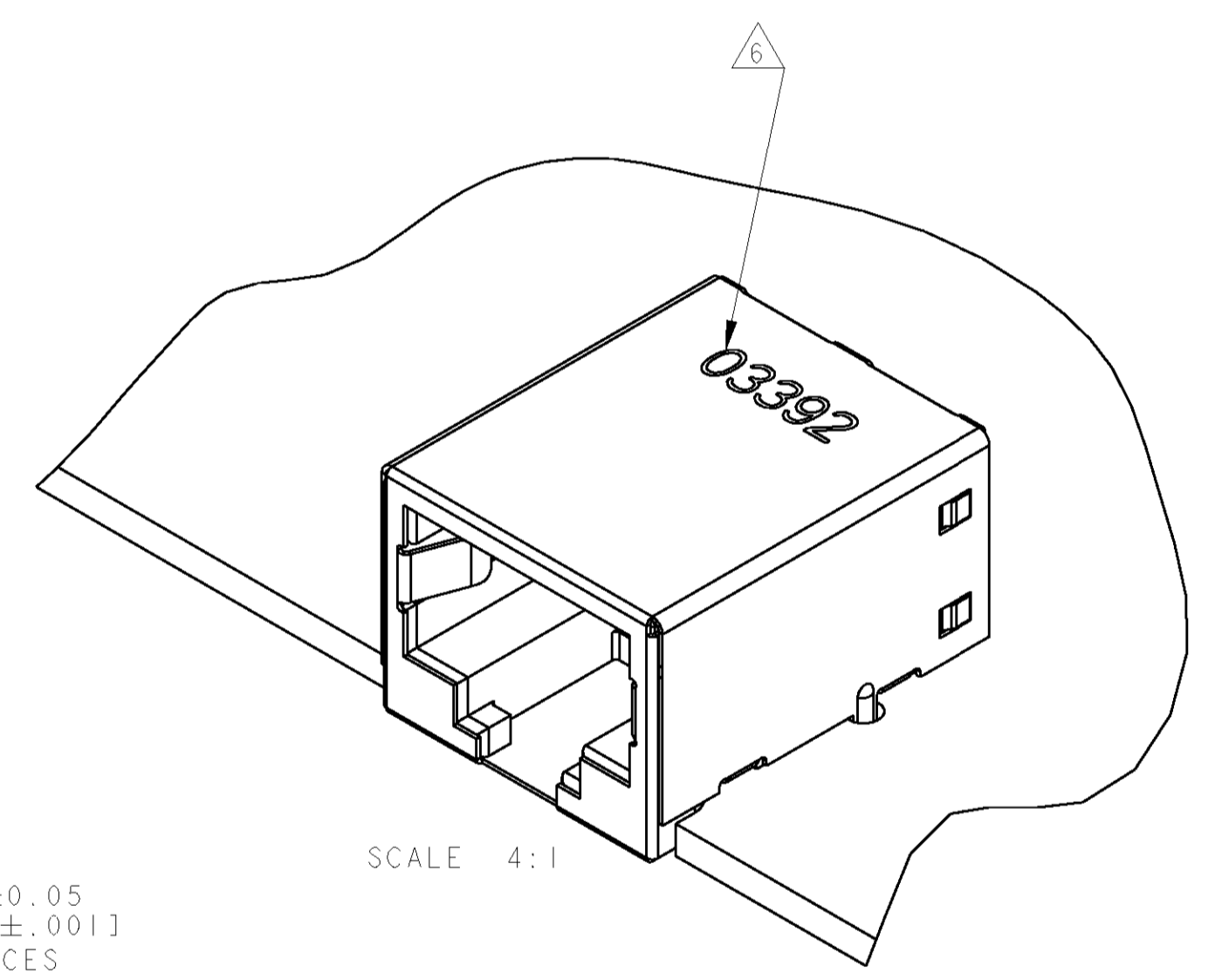
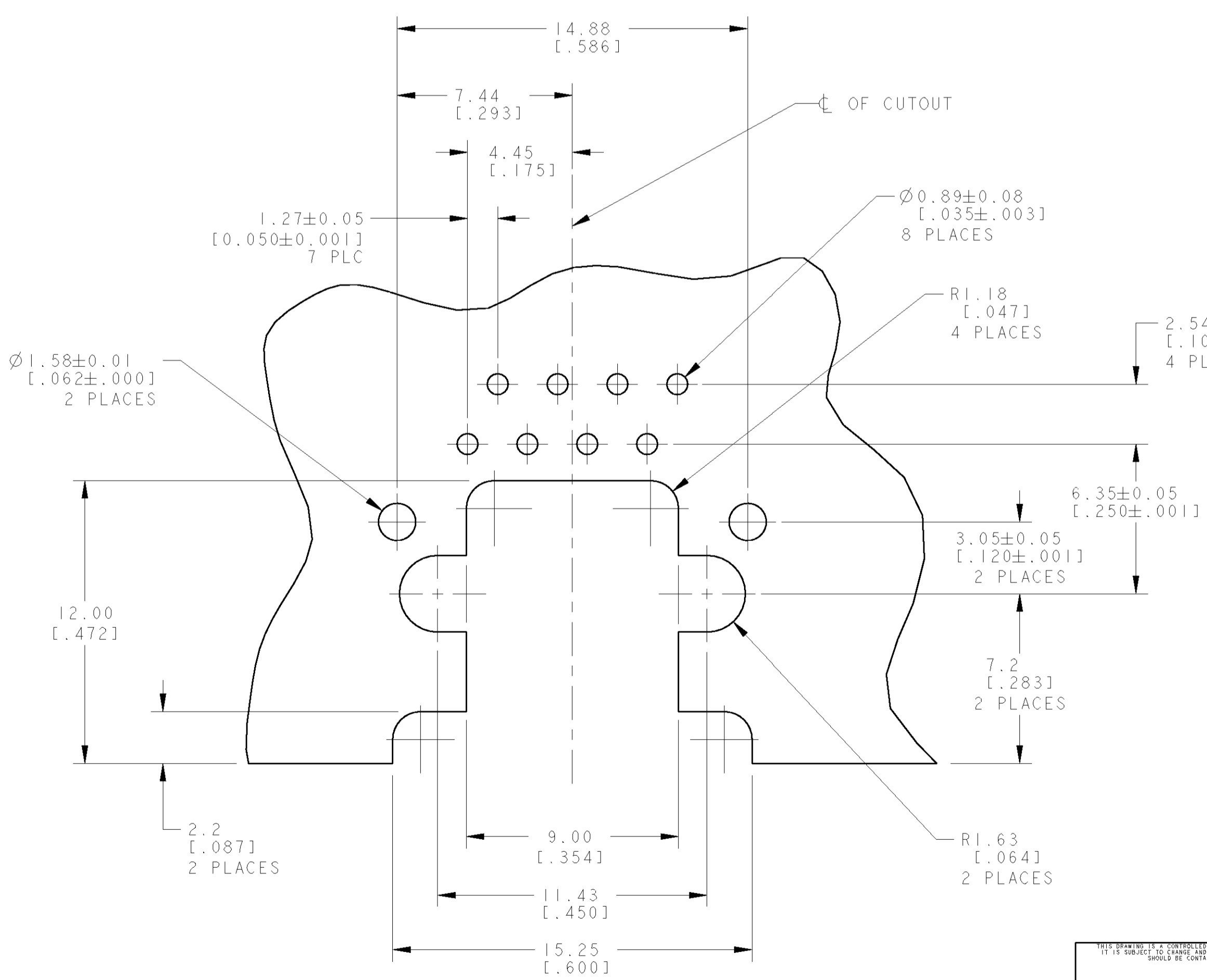
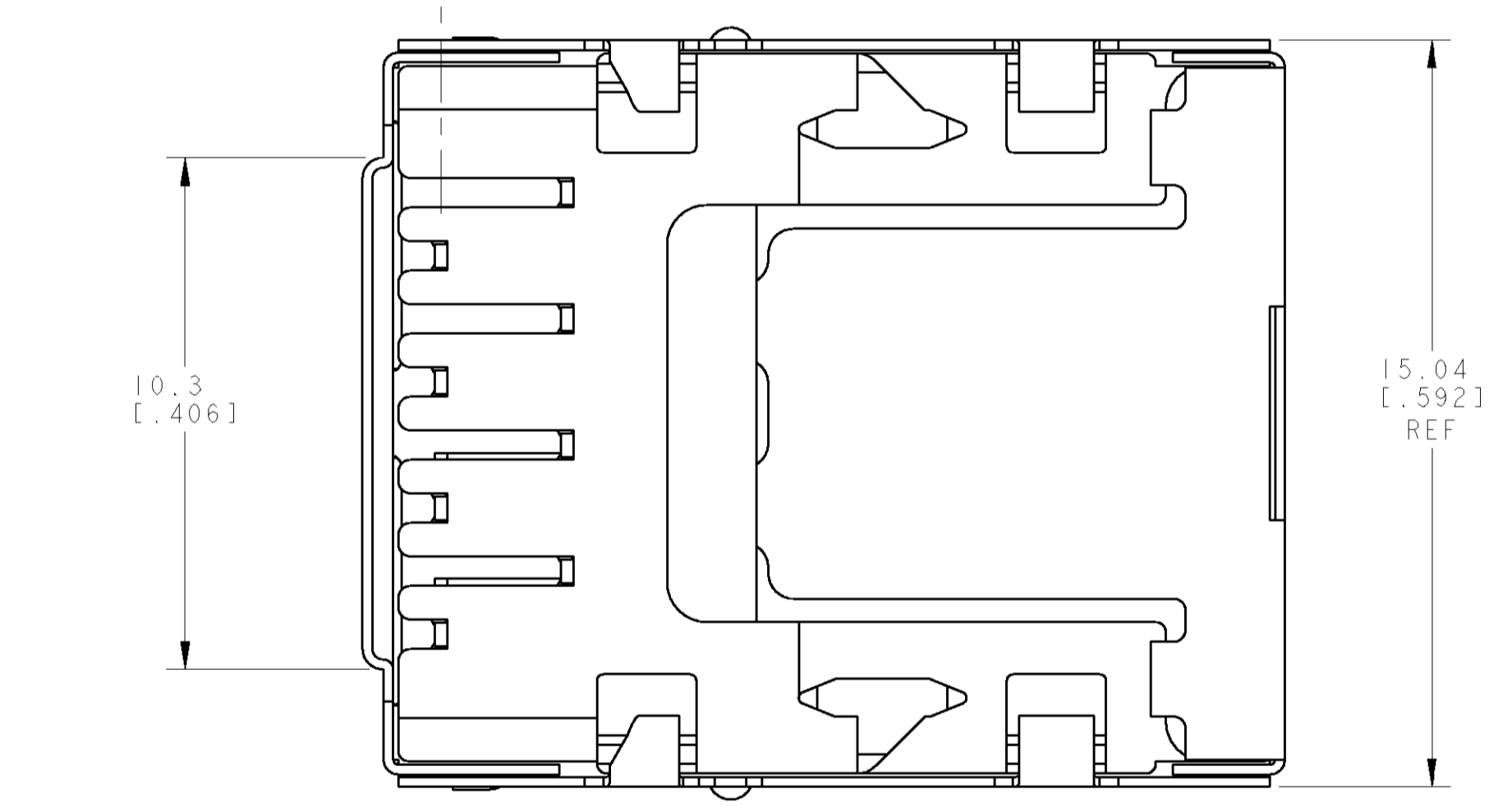


LOC	DIST	REV	DESCRIPTION	DATE	BY	APPD
AA	00	A	RELEASED	15JUN06	LAM	BK



- MATERIAL: HOUSING - HIGH TEMPERATURE NYLON, BLACK, UL 94V-0, IR REFLOW SOLDERING PROCESS COMPATIBLE
 TERMINALS - 0.25[.01] THICK PHOSPHOR BRONZE PLATED WITH 3.81µm[.000150] MINIMUM THICK MATTE TIN IN SOLDER AREA, 1.27µm[.000050] MINIMUM GOLD IN LOCALIZED PLATE AREA. ENTIRE TERMINAL PLATED WITH 1.27µm[.000050] MINIMUM THICK NICKEL.
 SHIELD - 0.1[.0039] MIN THICK COPPER ZINC ALLOY, PREPLATED WITH 2.0-4.0µm (.000079-.000157) THICK BRIGHT TIN OVER 1.27 µm (.00010) MIN THICK NICKEL
- JACK CAVITY CONFORMS TO FCC RULES AND REGULATIONS PART 68, SUBPART F.
- THIS DIMENSION REPRESENTS THE TOTAL HEIGHT OF THE CONNECTOR FROM THE TOP OF THE PC BOARD.
- PACKAGED 66 ASSEMBLIES PER PVC TRAY, 396 PER BOX.
- DIELECTRIC WITHSTANDING VOLTAGE BETWEEN SHIELD AND TERMINAL IS 1500 VAC
- MANUFACTURING DATE CODE:
 ORIENTED AND LOCATED APPROXIMATELY AS SHOWN. BLACK INK STAMP. TEXT HEIGHT APPROXIMATELY 2MM.
 FIRST 2 DIGITS = LAST 2 DIGITS OF YEAR
 NEXT 2 DIGITS = MANUFACTURING WORK WEEK
 LAST DIGIT = DAY OF WEEK WITH SUNDAY = 1



SUGGESTED PRINTED CIRCUIT BOARD LAYOUT COMPONENT SIDE SCALE 6:1

1888543-2
PART NUMBER

DIMENSIONS: mm [INCHES]		TOLERANCES UNLESS OTHERWISE SPECIFIED: 0 PLC ± 1 PLC ± 2 PLC ±0.13(.005) 3 PLC ± 4 PLC ± ANGLES ±		DWN: J. AHERON / J. A. MAYER CHK: J. WESTMAN APVD: S. FLICKINGER DATE: 07JUNE2006 NAME: S. FLICKINGER		tyco Tyco Electronics Harrisburg, PA 17105-3608	
MATERIAL: SEE NOTE 1 FINISH: SEE NOTE 1		WEIGHT: 3.49 grams CUSTOMER DRAWING		SIZE: 108-1163 APPLICATION SPEC: 114-2048 CAGE CODE: 00779 DRAWING NO: 1888543		RESTRICTED TO: - SCALE: 8:1 SHEET: 1 OF: 1 REV: A	