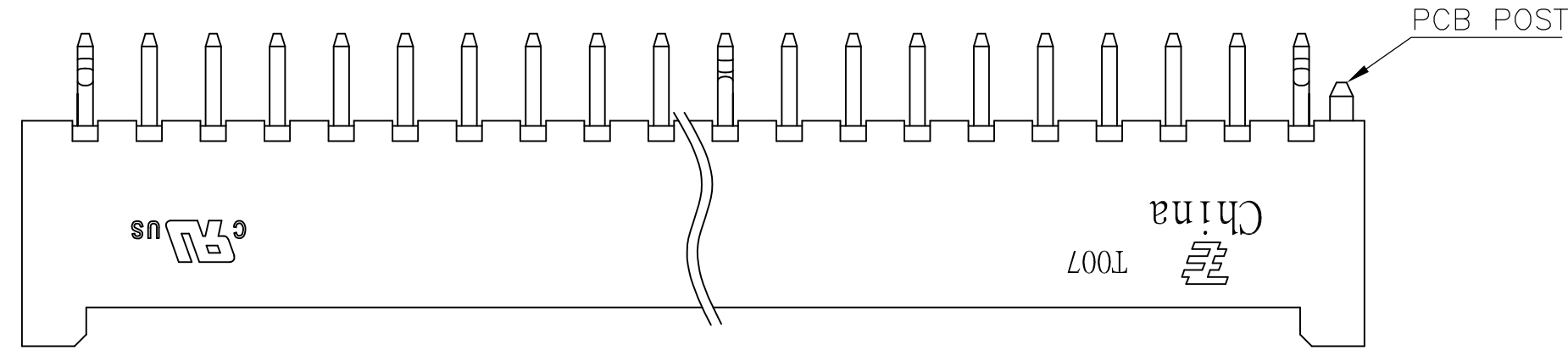


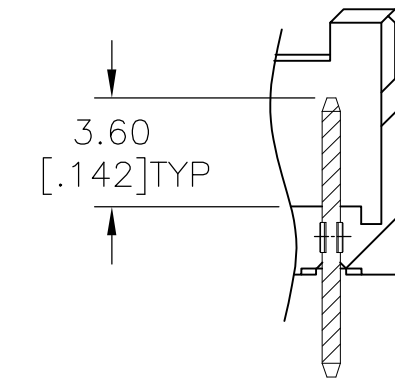
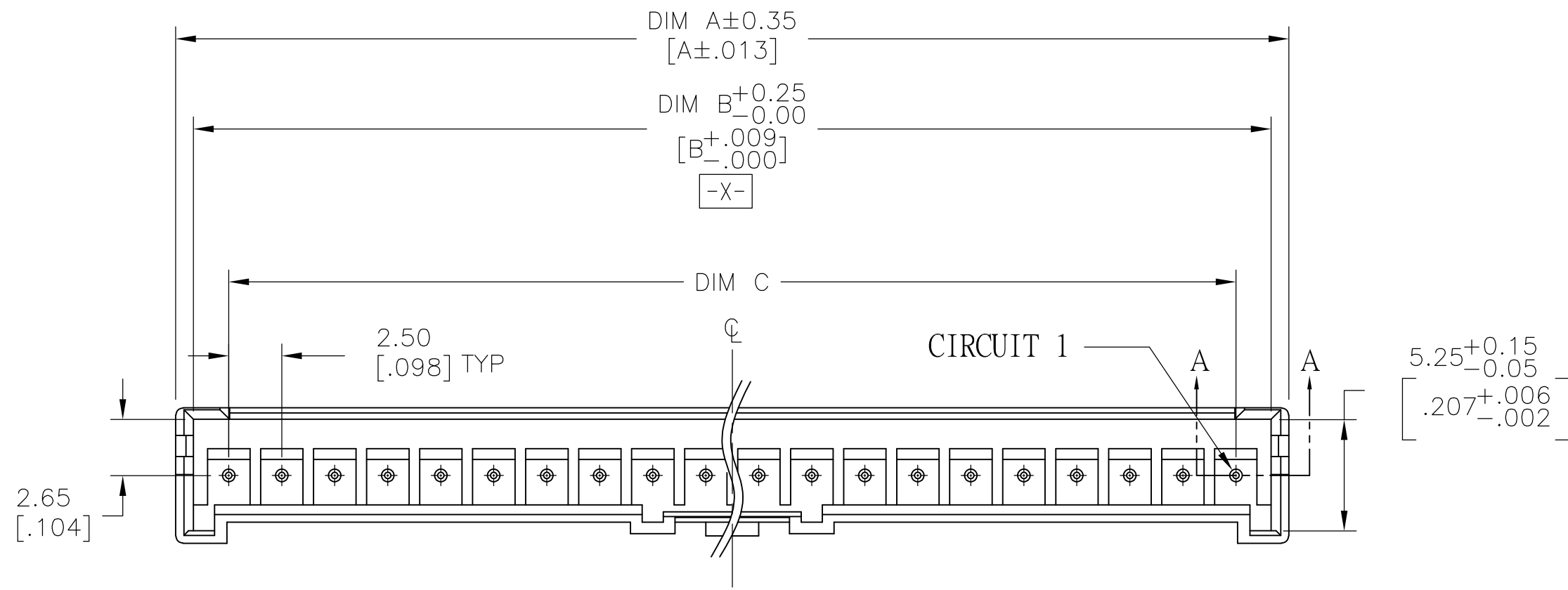
THIS DRAWING IS UNPUBLISHED. RELEASED FOR PUBLICATION  
 © COPYRIGHT - By - ALL RIGHTS RESERVED.

LOC		DIST		REVISIONS			
P	LTR	DESCRIPTION	DATE	DWN	APVD		
-	-	A1	REVISED PER ECR-15-016127	25JAN16	O.C	D.Z	

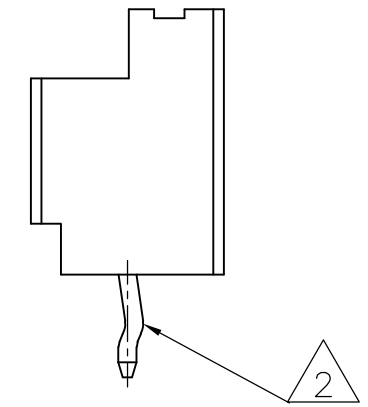


1 MATERIAL: HOUSING: THERMOPLASTIC, UL94 V0, COLOR: NATURAL.  
 TERMINAL: BRASS, NICKEL UNDER PLATING,  
 Tin PLATING ON PIN AREA.

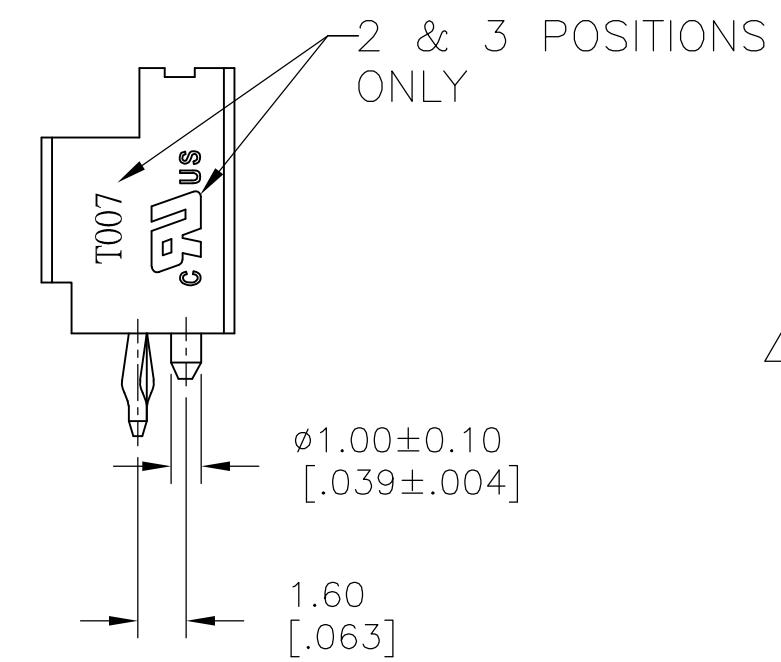
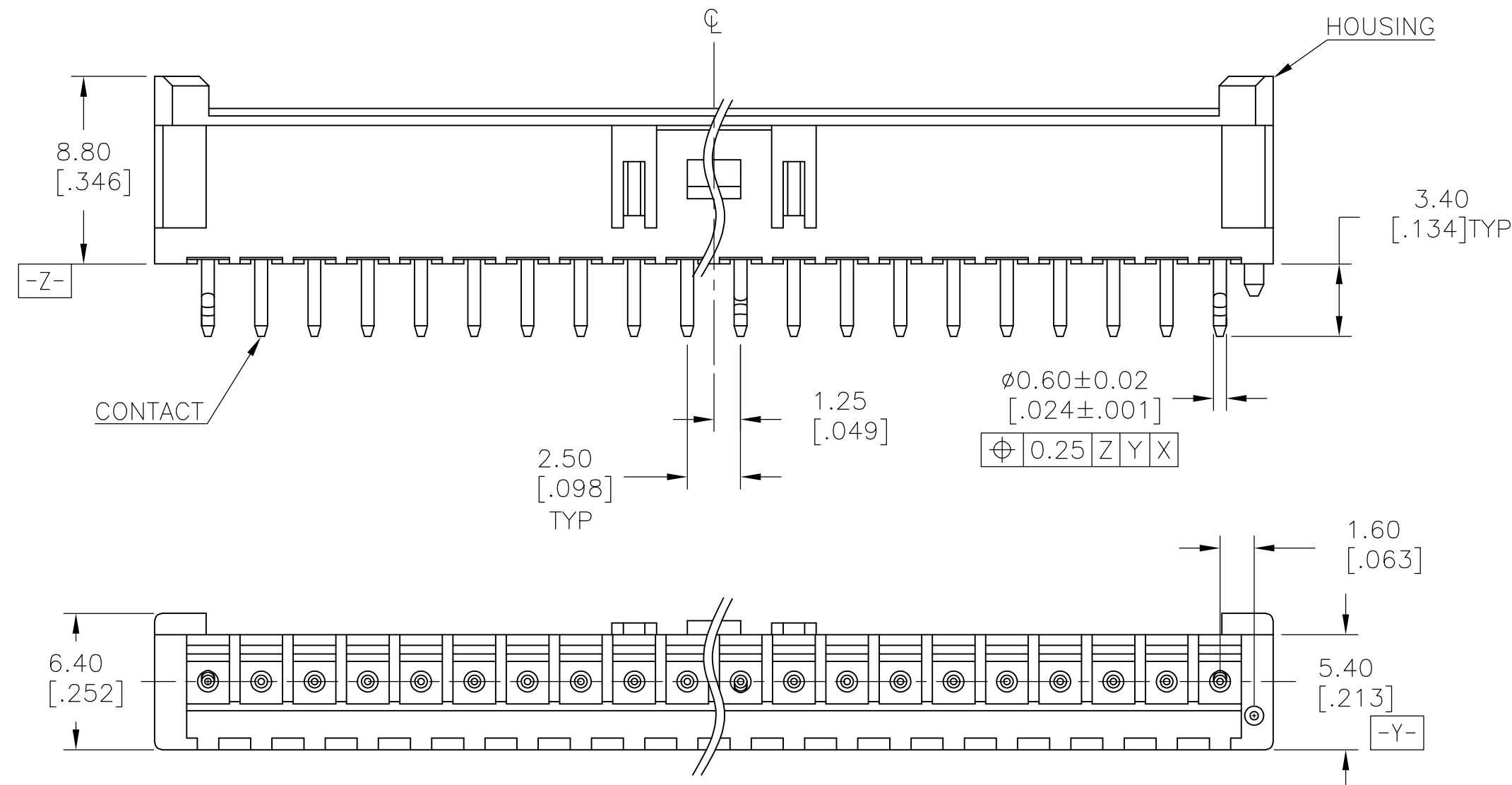
2 CONTACT SOLDER TAIL KINK DIRECTION (BOARD LOCK)  
 SEE BELOW TABLE.



SECTION A-A



MIDDLE

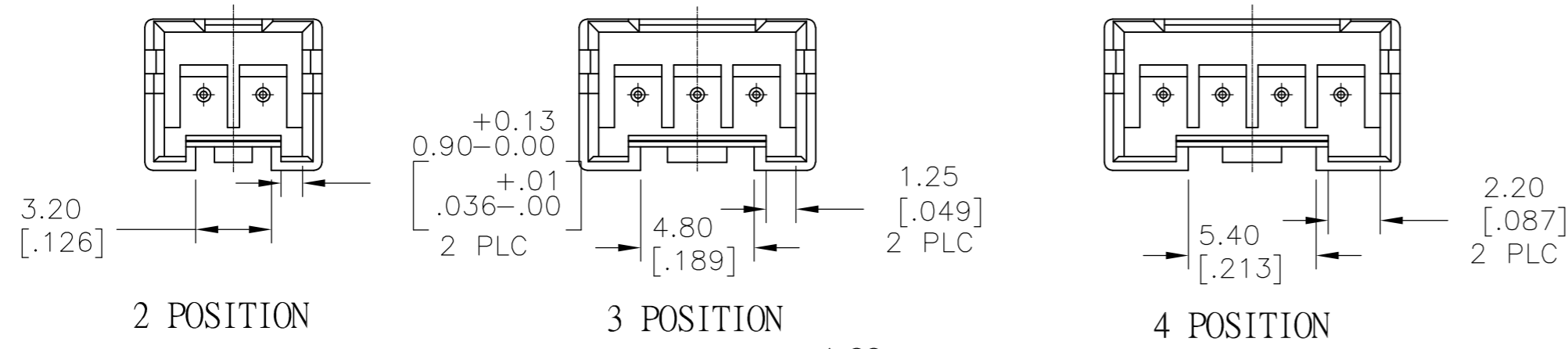


SIDE

THIS DRAWING IS A CONTROLLED DOCUMENT.		DWN OTTO CHEN 09FEB2015	TE Connectivity	
DIMENSIONS: mm [INCHES]		CHK DANIEL Z 10FEB2015		
TOLERANCES UNLESS OTHERWISE SPECIFIED:		APVD DANIEL Z 10FEB2015	NAME	
0 PLC ± -	1 PLC ± 0.30	PRODUCT SPEC	108-2418	
2 PLC ± 0.20	3 PLC ± -	APPLICATION SPEC	114-13315	
4 PLC ± -	ANGLES ± 3°	WEIGHT	SIZE A2	CAGE CODE 00779
MATERIAL	FINISH	CUSTOMER DRAWING	DRAWING NO C=1969730	RESTRICTED TO
		SCALE N/A	SHEET 1 of 2	REV A1

THIS DRAWING IS UNPUBLISHED. RELEASED FOR PUBLICATION  
 © COPYRIGHT - By - ALL RIGHTS RESERVED.

LOC		DIST		REVISIONS			
P	LTR	DESCRIPTION	DATE	DWN	APVD		
-	-	SEE SHEET 1	-	-	-		

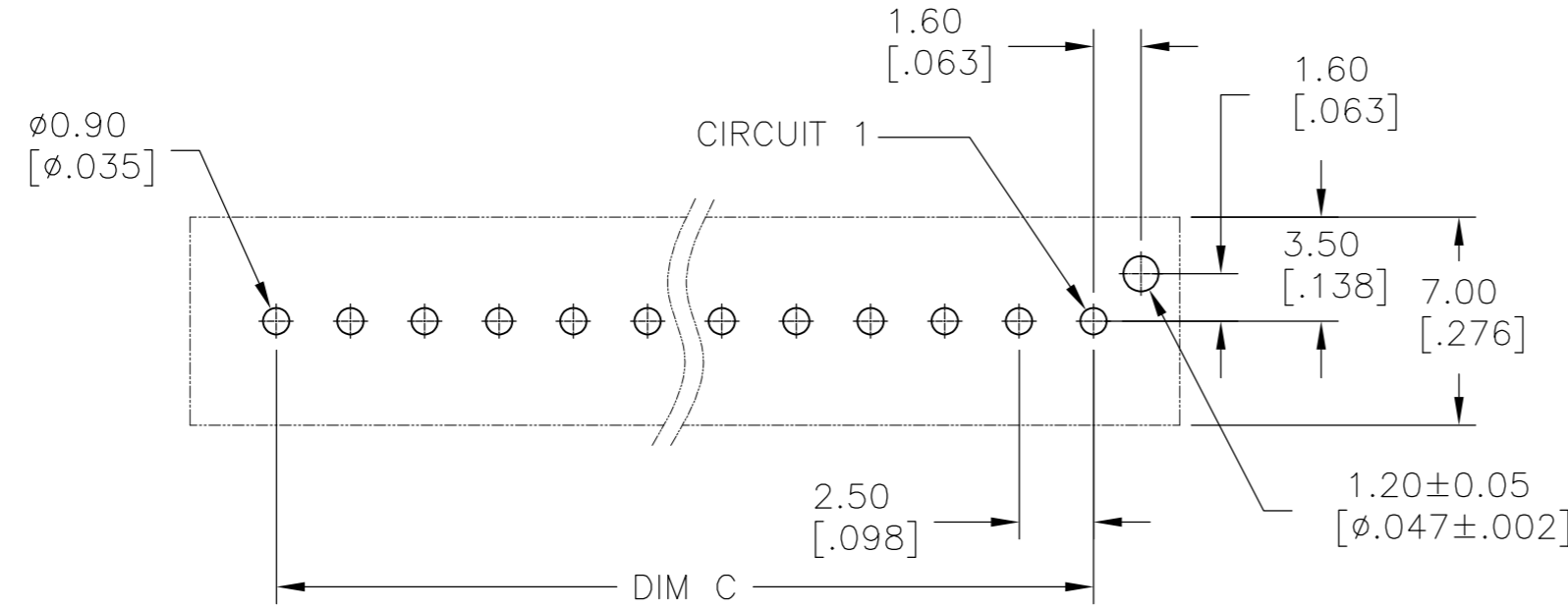


2 POSITION

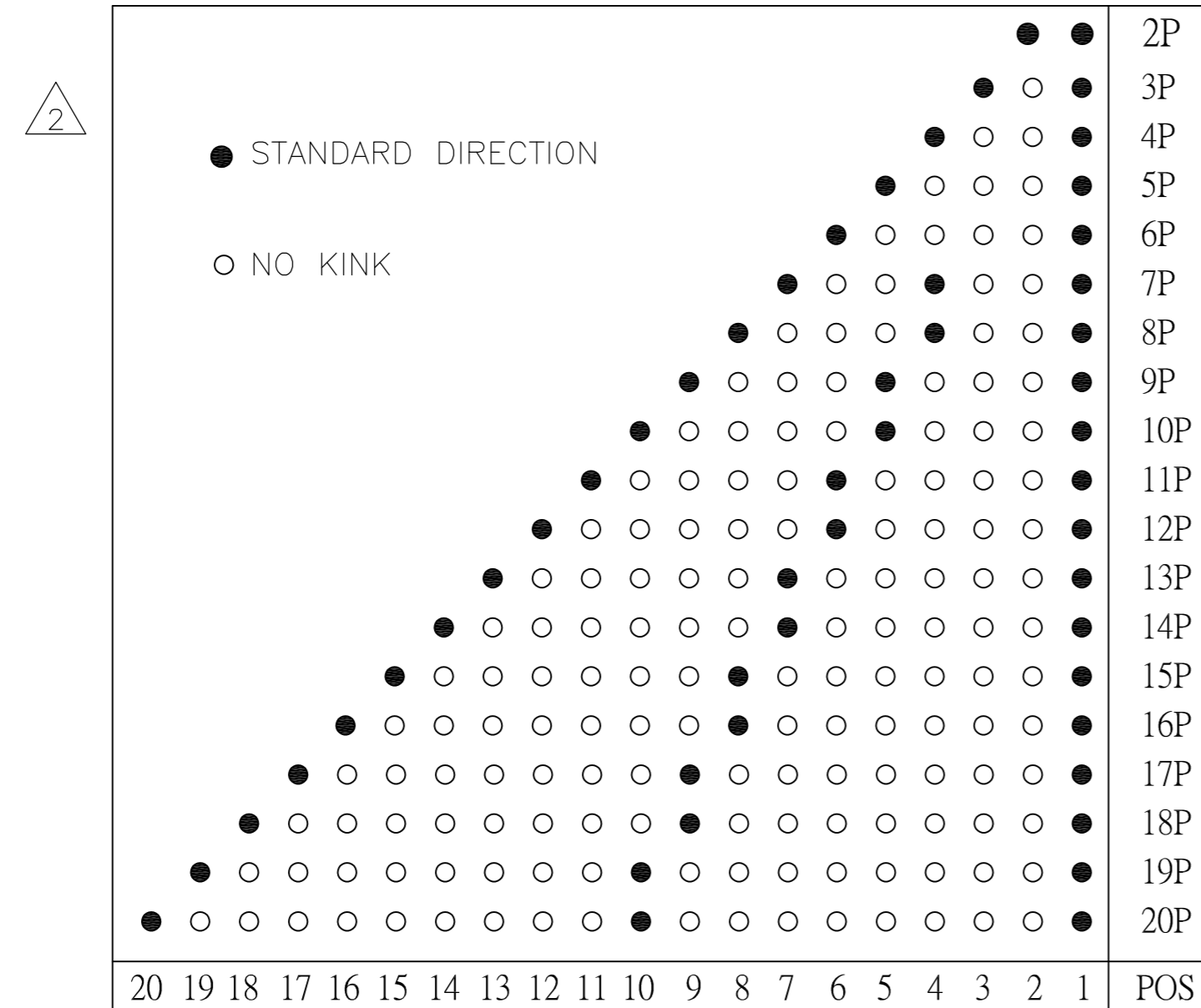
3 POSITION

4 POSITION

N= 5 THRU 20 POSITION



RECOMMENDED PCB LAYOUT



DIM C	DIM B	DIM A	POS	PART NO
47.5 [1.870]	50.83 [2.001]	52.5 [2.067]	20	2-1969730-0
45.0 [1.772]	48.33 [1.903]	50.0 [1.968]	19	1-1969730-9
42.5 [1.673]	45.83 [1.804]	47.5 [1.870]	18	1-1969730-8
40.0 [1.575]	43.33 [1.706]	45.0 [1.772]	17	1-1969730-7
37.5 [1.476]	40.83 [1.607]	42.5 [1.673]	16	1-1969730-6
35.0 [1.378]	38.33 [1.510]	40.0 [1.575]	15	1-1969730-5
32.5 [1.280]	35.83 [1.411]	37.5 [1.476]	14	1-1969730-4
30.0 [1.181]	33.33 [1.312]	35.0 [1.378]	13	1-1969730-3
27.5 [1.083]	30.83 [.214]	32.5 [1.280]	12	1-1969730-2
25.0 [.984]	28.33 [.115]	30.0 [1.181]	11	1-1969730-1
22.5 [.886]	25.83 [.167]	27.5 [1.083]	10	1-1969730-0
20.0 [.787]	23.33 [.919]	25.0 [.984]	9	1969730-9
17.5 [.689]	20.83 [.820]	22.5 [.886]	8	1969730-8
15.0 [.591]	18.33 [.722]	20.0 [.787]	7	1969730-7
12.5 [.492]	15.83 [.623]	17.5 [.689]	6	1969730-6
10.0 [.394]	13.33 [.525]	15.0 [.591]	5	1969730-5
7.5 [.295]	10.83 [.426]	12.5 [.492]	4	1969730-4
5.0 [.197]	8.33 [.328]	10.0 [.394]	3	1969730-3
2.5 [.098]	5.83 [.229]	7.5 [.295]	2	1969730-2

THIS DRAWING IS A CONTROLLED DOCUMENT.

DWN	OTTO CHEN	09FEB15
CHK	DANIEL. Z	10FEB15
APVD	DANIEL. Z	10FEB15
PRODUCT SPEC	108-2418	
APPLICATION SPEC	114-13315	
WEIGHT	-	
CUSTOMER DRAWING		

**STE** TE Connectivity

NAME: HEADER ASSEMBLY, VERTICAL, ECONOMY POWER, 2.5mm CENTERLINE

SIZE	CAGE CODE	DRAWING NO	RESTRICTED TO
A2	00779	C=1969730	-
SCALE	N/A	SHEET	2 OF 2
REV	A1		