

4

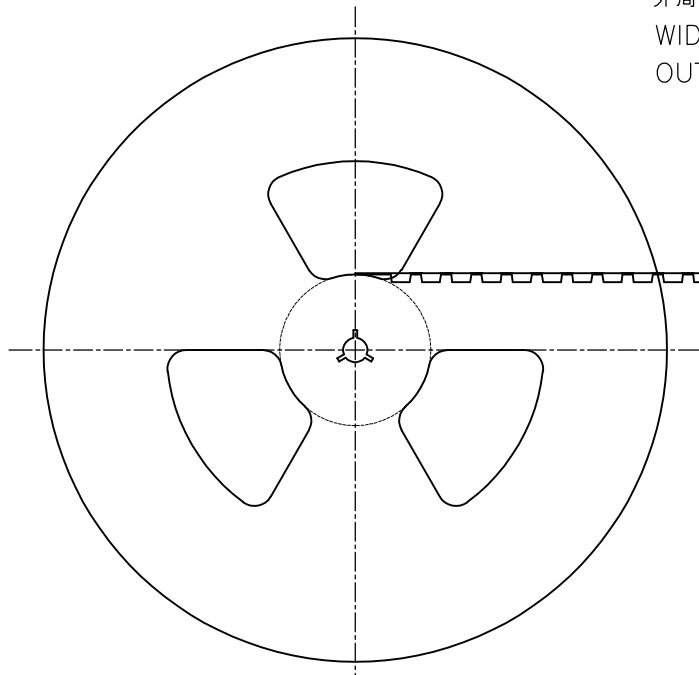
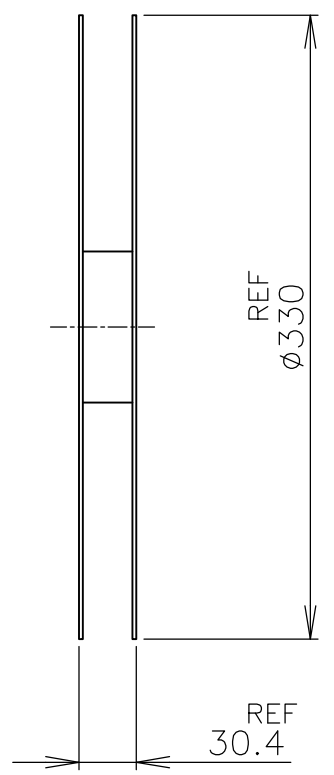
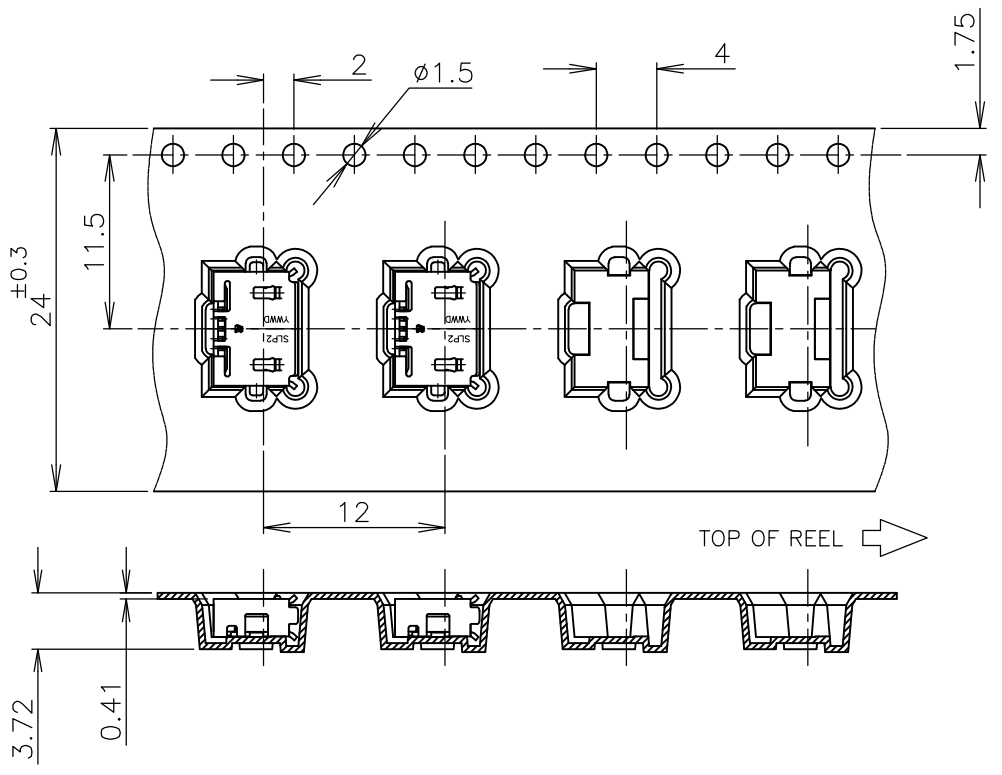
3

2

1

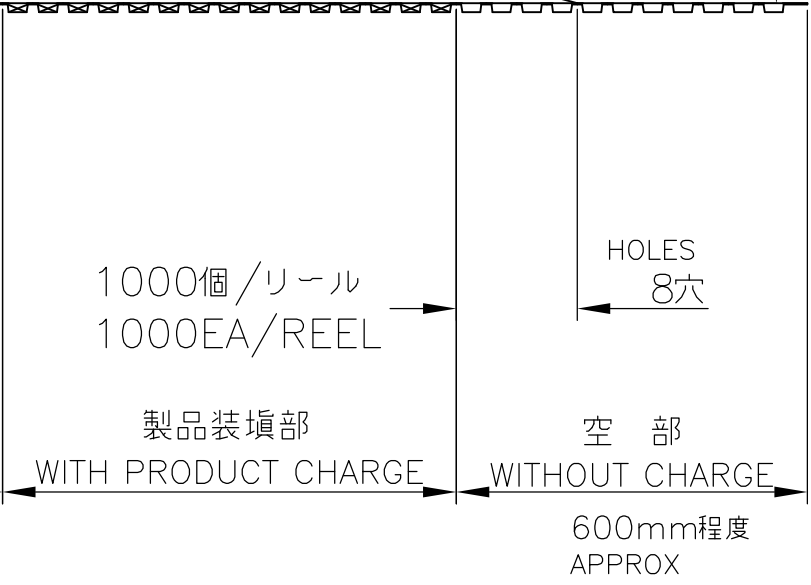
THIS DRAWING IS UNPUBLISHED. RELEASED FOR PUBLICATION JAN , 2007.
 © COPYRIGHT 2007 By - ALL RIGHTS RESERVED.

| LOC | DIST | REVISIONS | | | | | |
|-----|------|-----------|-----|-------------|------|-----|------|
| J | / | P | LTR | DESCRIPTION | DATE | DWN | APVD |
| | | - | | SEE SHEET 1 | - | - | - |



カバーテープリーダー部
 外周1巻
 WIDE COVER TAPE AROUND
 OUT PERIPHERY 1 TURN

剥離強度 0.1-1.3N MAX(300±10mm/min)
 PEELING STRENGTH
 剥離強度 165~180°
 PEELING ANGLE



| | | | | | |
|---|--|------------------|--|-----------|--------------|
| THIS DRAWING IS A CONTROLLED DOCUMENT. | | DWN | TE Connectivity | | |
| DIMENSIONS: 単位: 耗 MM | | CHK | NAME 名称 | | |
| TOLERANCES UNLESS OTHERWISE SPECIFIED: 一般公差 | | APVD | MICRO USB RECEPTACLE STANDARD TYPE AB ASSY | | |
| 0 PLC ±- | | PRODUCT SPEC | SIZE | CAGE CODE | DRAWING NO |
| 1 PLC ±- | | 製品規格 | A3 | 00779 | C-1981584 |
| 2 PLC ±- | | APPLICATION SPEC | RESTRICTED TO | | |
| 3 PLC ±- | | 取付適用規格 | - | | |
| 4 PLC ±- | | WEIGHT | SCALE 尺度 2:1 | | |
| ANGLES ±- | | CUSTOMER DRAWING | | | SHEET 2 OF 2 |
| FINISH 仕上 | | REV D1 | | | |