

FIG. 1

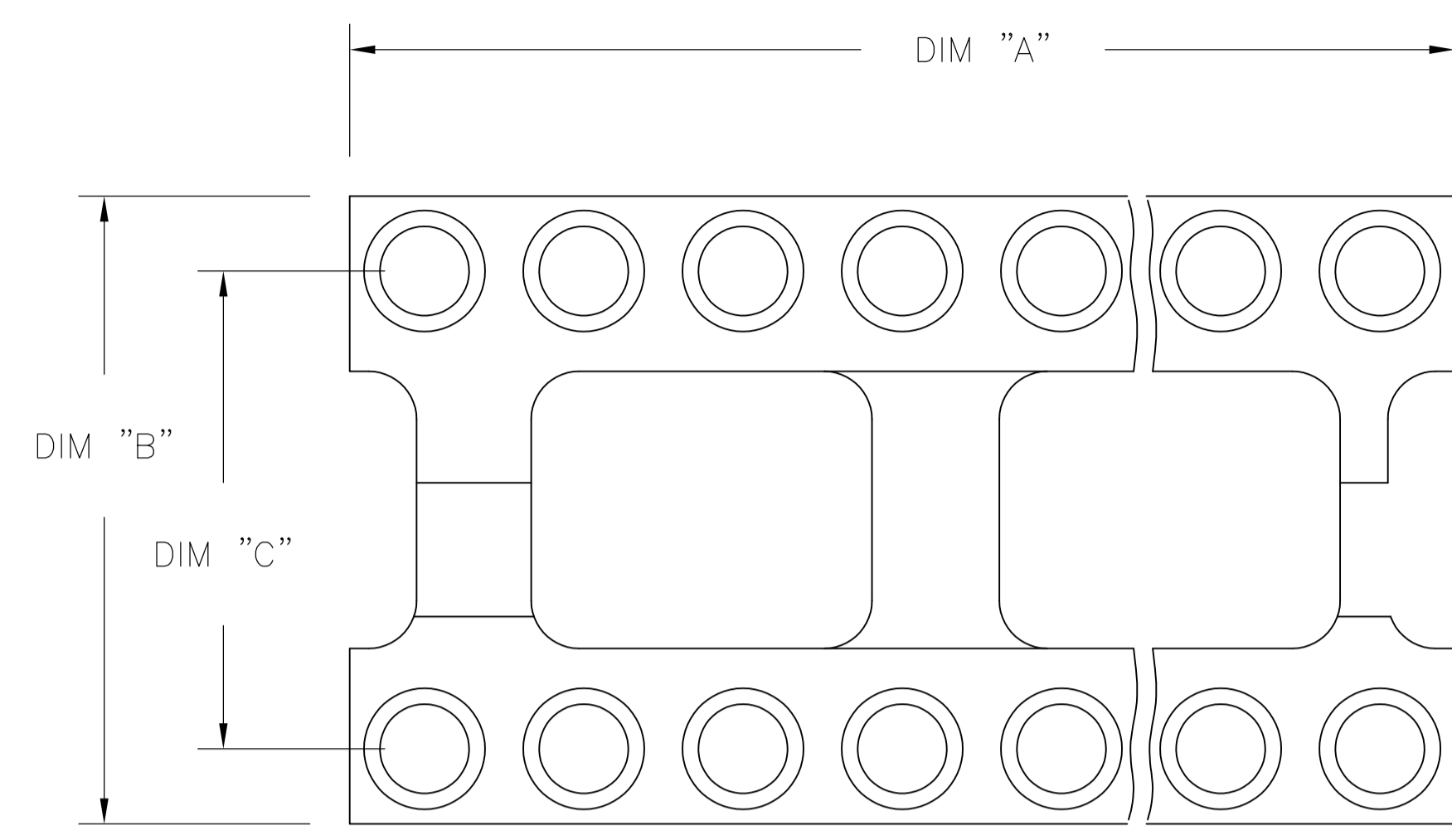


FIG. 2

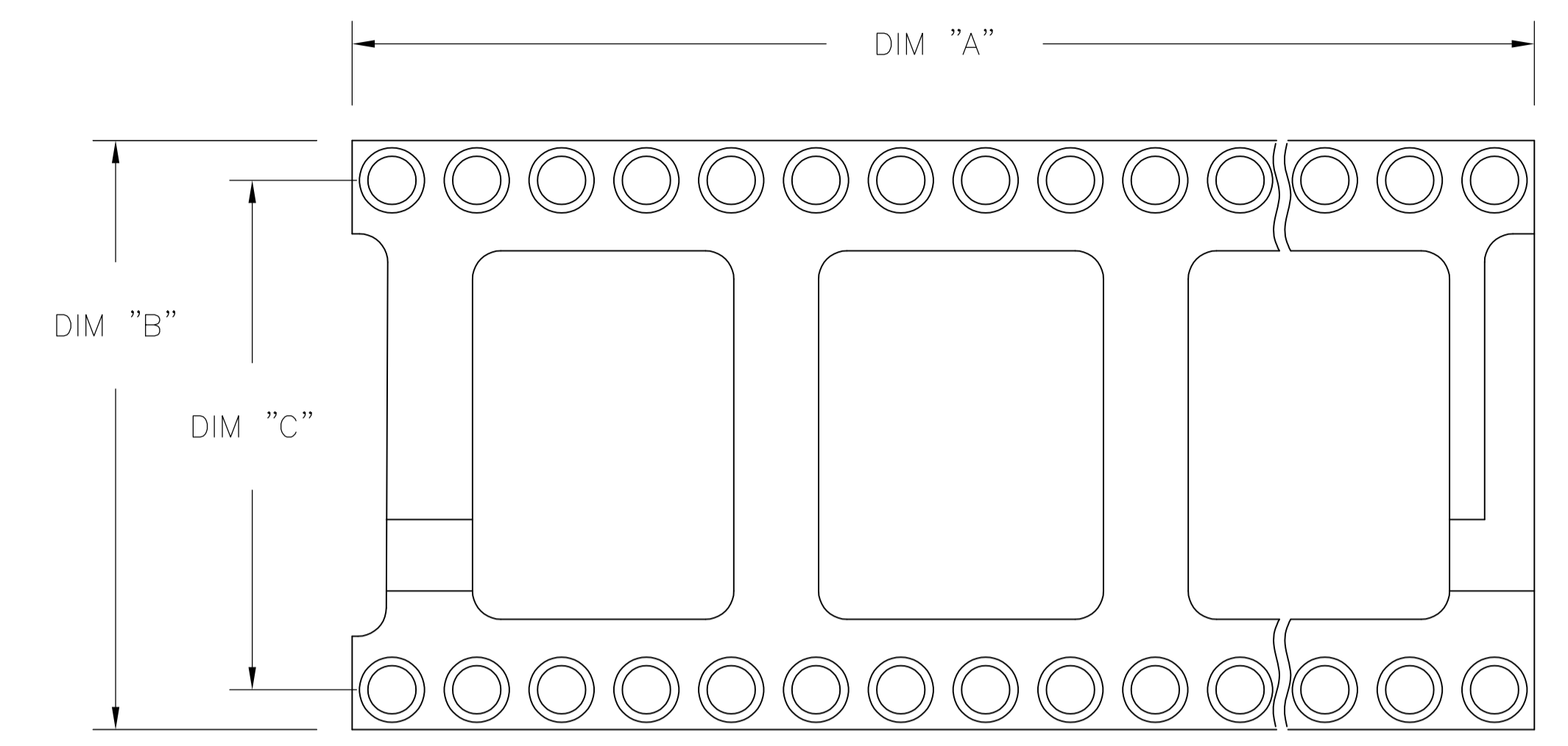
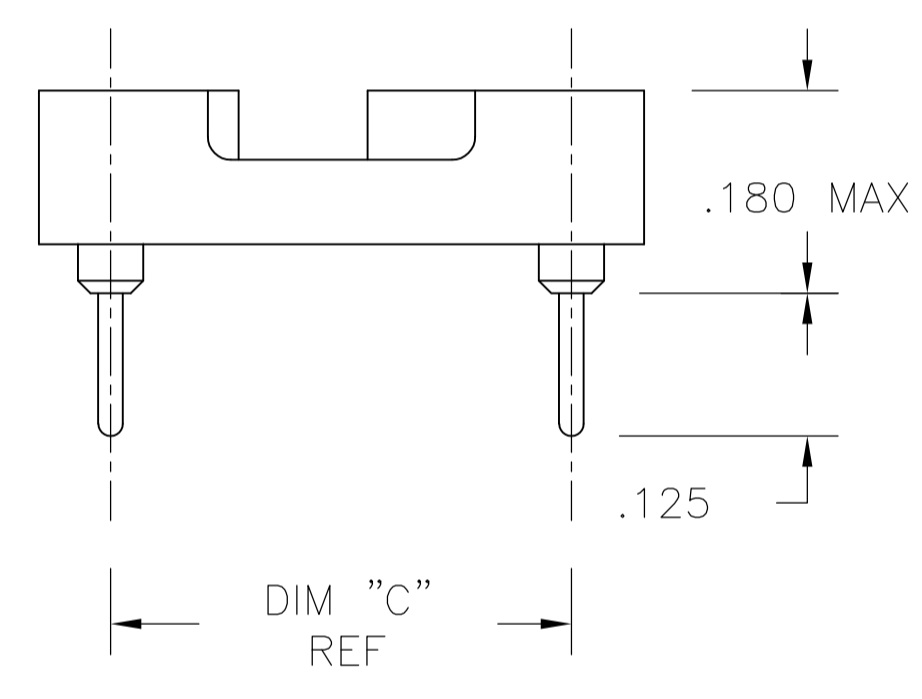
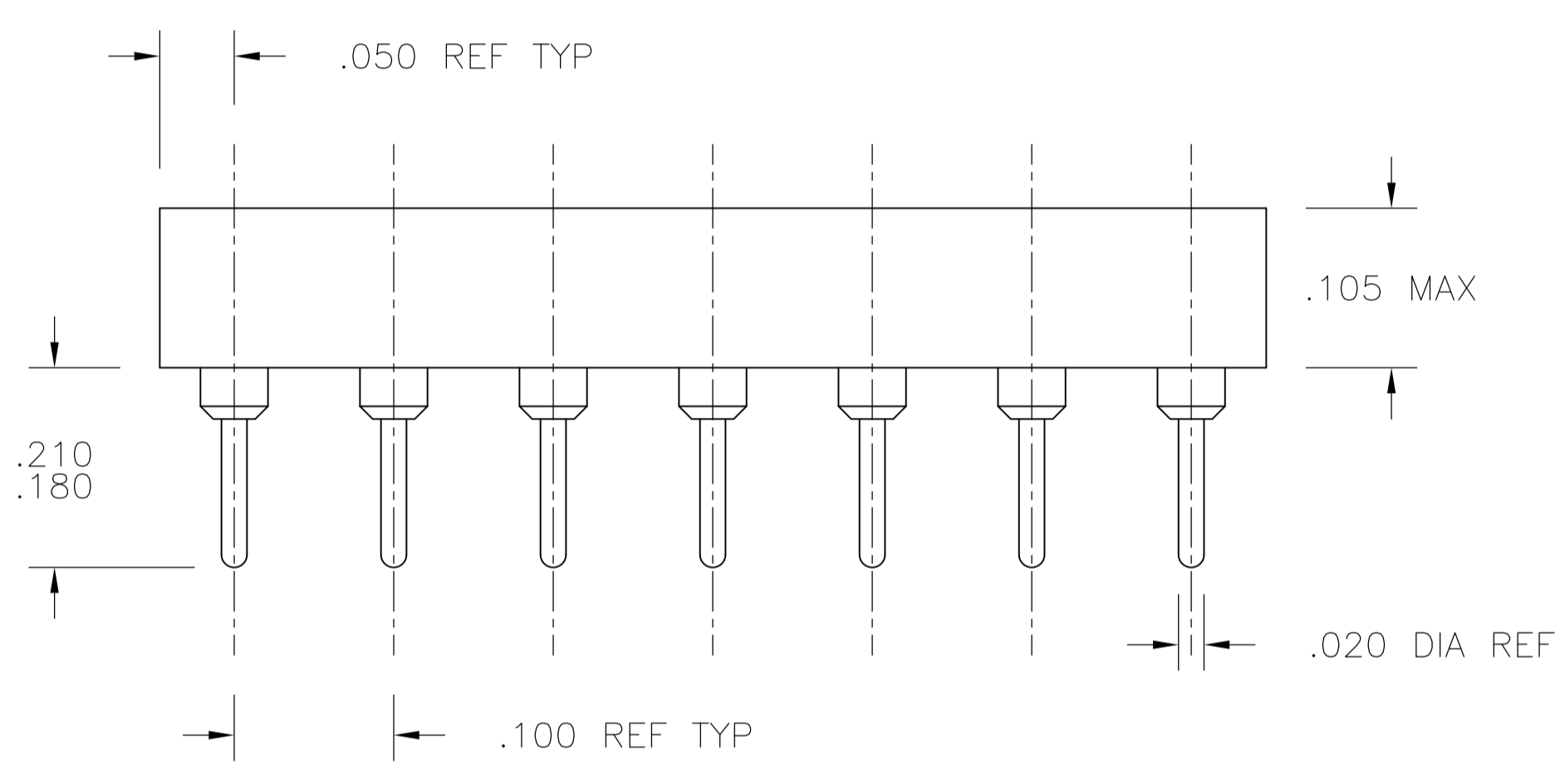
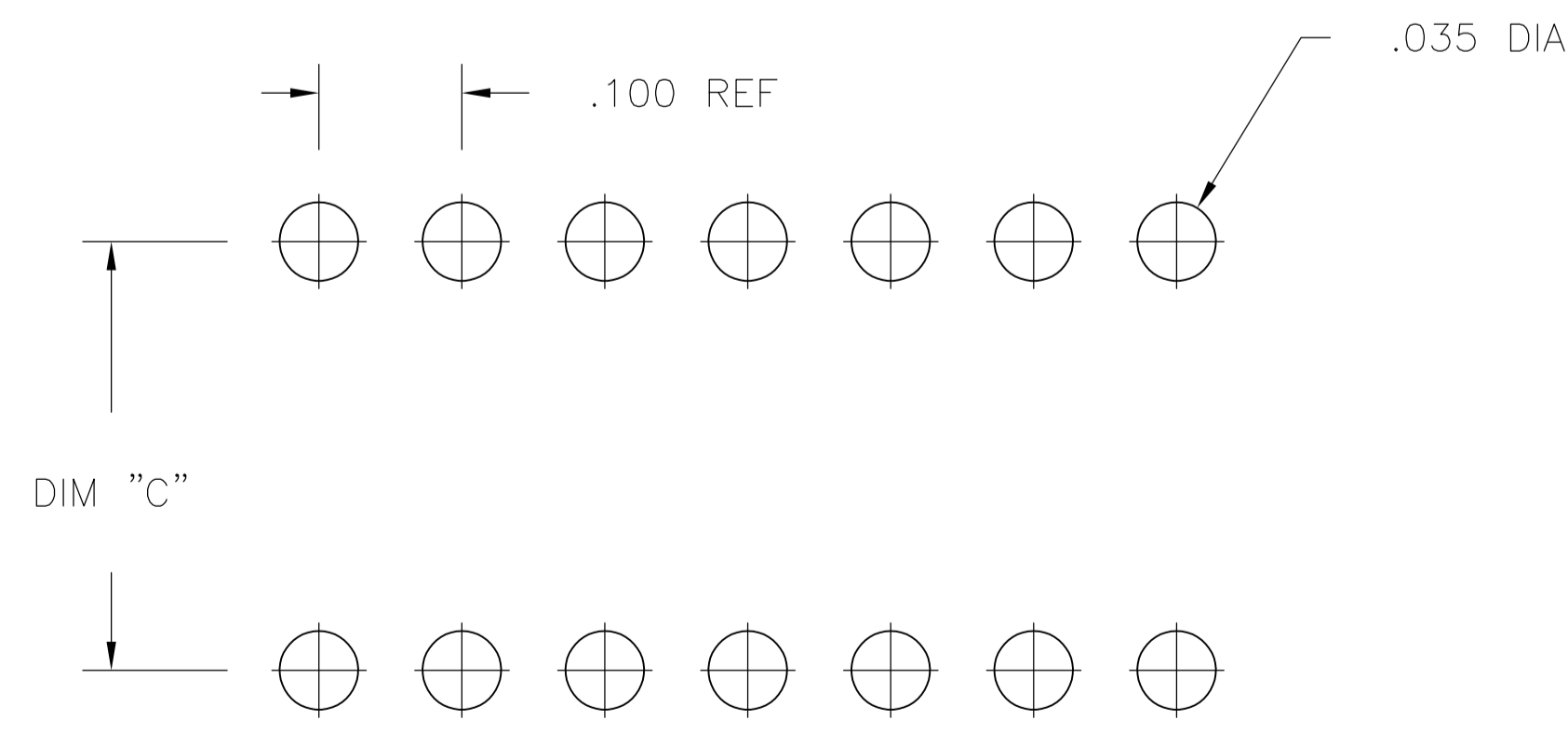


FIG. 3



1. INSULATOR MATERIAL - THERMOPLASTIC POLYESTER, PCT, BLACK, UL94 V-0
2. MACHINED CONTACT - BECU, PLATED WITH 80-200μ" TIN (LEAD FREE) OVER 75-100μ" COPPER.
3. SLEEVE - COPPER, PLATED WITH 180-340μ" THK TIN (LEAD FREE) OVER 75-125 MIN NICKEL.
4. MACHINED CONTACT - BECU, PLATED WITH 25μ" MIN. GOLD OVER 30-100μ" NICKEL.
5. ELECTRICAL:
  - CONTACT RESISTANCE: 10 MILLIOHMS MAX
  - CONTACT RATING: 3 AMPS
  - CAPACITANCE: 1.0 pF PER MIL-STD-202, METHOD 305
  - INSULATION RESISTANCE: 5000 OHMS MIN @ 500 VDC PER MIL-STD-1344, METHOD 3003.1
  - DIELECTRIC WITHSTANDING VOLTAGE: 1000 VOLTS (RMS) PER MIL-STD-1344, METHOD 3001.1
6. MECHANICAL:
  - INSERTION FORCE: 134 GRAMS AVG
  - WITHDRAWAL FORCE: 63 GRAMS AVG
  - "ACCEPTS IC PIN - .009"X.015" THROUGH .011"X.020", OR .016" TO .021" DIAMETER, .150/.105 LONG"
7. ENVIRONMENTAL:
  - OPERATING TEMPERATURE: -55°C TO -105°C
8. OBSOLETE PARTS: OBSOLETE CIS STREAMLINING PER D.RENAUD/D.SINISI




P.C.B. HOLE LAYOUT  
TOLERANCE ±.003

THIS DRAWING IS A CONTROLLED DOCUMENT.		DIN T.KRAYBILL 07NOV03	TE Connectivity	
DIMENSIONS: INCHES		CHK K.WRIGHT		
TOLERANCES UNLESS OTHERWISE SPECIFIED:		APVD K.WRIGHT	NAME: OPEN FRAME DIP, PREMIUM (MACHINE CONTACT), LEAD FREE (REF AUGAT 800 SERIES)	
0. PLC	± .005	PRODUCT SPEC	SIZE	CAGE CODE
1. PLC	± .005	APPLICATION SPEC	A1	00779
2. PLC	± .005	WEIGHT	DRAWING NO: 1571586	
3. PLC	± .005	CUSTOMER DRAWING	SCALE	4:1
4. PLC	± .005	RESTRICTED TO	SHEET	1 OF 2
ANGLES	± .005	REV	B2	

$\frac{3}{4}$	$\frac{3}{4}$	$\frac{3}{4}$	$\frac{3}{4}$	OBSOLETE	GOLD	TIN	.400±.005	.500	1.200	2	24	<del>3-1571586-7</del>
$\frac{3}{4}$	$\frac{3}{4}$	$\frac{3}{4}$	$\frac{3}{4}$		GOLD	TIN	.300±.005	.400	1.200	2	24	3-1571586-6
$\frac{3}{4}$	$\frac{3}{4}$	$\frac{3}{4}$	$\frac{3}{4}$		GOLD	TIN	.900±.005	1.000	3.200	3	64	3-1571586-5
$\frac{3}{4}$	$\frac{3}{4}$	$\frac{3}{4}$	$\frac{3}{4}$		GOLD	TIN	.600±.005	.700	2.400	3	48	3-1571586-4
$\frac{3}{4}$	$\frac{3}{4}$	$\frac{3}{4}$	$\frac{3}{4}$		GOLD	TIN	.600±.005	.700	2.100	3	42	3-1571586-3
$\frac{3}{4}$	$\frac{3}{4}$	$\frac{3}{4}$	$\frac{3}{4}$		GOLD	TIN	.600±.005	.700	2.000	3	40	3-1571586-2
$\frac{3}{4}$	$\frac{3}{4}$	$\frac{3}{4}$	$\frac{3}{4}$		GOLD	TIN	.600±.005	.700	1.800	3	36	3-1571586-1
$\frac{3}{4}$	$\frac{3}{4}$	$\frac{3}{4}$	$\frac{3}{4}$		GOLD	TIN	.600±.005	.700	1.600	3	32	3-1571586-0
$\frac{3}{4}$	$\frac{3}{4}$	$\frac{3}{4}$	$\frac{3}{4}$		GOLD	TIN	.600±.005	.700	1.400	2	28	2-1571586-9
$\frac{3}{4}$	$\frac{3}{4}$	$\frac{3}{4}$	$\frac{3}{4}$		GOLD	TIN	.600±.005	.700	1.200	2	24	2-1571586-8
$\frac{3}{4}$	$\frac{3}{4}$	$\frac{3}{4}$	$\frac{3}{4}$		GOLD	TIN	.400±.005	.500	1.100	2	22	2-1571586-7
$\frac{3}{4}$	$\frac{3}{4}$	$\frac{3}{4}$	$\frac{3}{4}$		GOLD	TIN	.300±.005	.400	1.000	2	20	2-1571586-6
$\frac{3}{4}$	$\frac{3}{4}$	$\frac{3}{4}$	$\frac{3}{4}$		GOLD	TIN	.300±.005	.400	.900	2	18	2-1571586-5
$\frac{3}{4}$	$\frac{3}{4}$	$\frac{3}{4}$	$\frac{3}{4}$		GOLD	TIN	.300±.005	.400	.800	2	16	2-1571586-4
$\frac{3}{4}$	$\frac{3}{4}$	$\frac{3}{4}$	$\frac{3}{4}$		GOLD	TIN	.300±.005	.400	.700	2	14	2-1571586-3
$\frac{3}{4}$	$\frac{3}{4}$	$\frac{3}{4}$	$\frac{3}{4}$		GOLD	TIN	.300±.005	.400	.400	1	8	2-1571586-2
$\frac{3}{2}$	$\frac{3}{2}$	$\frac{3}{2}$	$\frac{3}{2}$		TIN	TIN	.400±.005	.500	1.200	2	24	1-1571586-7
$\frac{3}{2}$	$\frac{3}{2}$	$\frac{3}{2}$	$\frac{3}{2}$		TIN	TIN	.300±.005	.400	1.200	2	24	1-1571586-6
$\frac{3}{2}$	$\frac{3}{2}$	$\frac{3}{2}$	$\frac{3}{2}$	OBSOLETE	TIN	TIN	.900±.005	1.000	3.200	3	64	<del>1-1571586-5</del>
$\frac{3}{2}$	$\frac{3}{2}$	$\frac{3}{2}$	$\frac{3}{2}$	OBSOLETE	TIN	TIN	.600±.005	.700	2.400	3	48	<del>1-1571586-4</del>
$\frac{3}{2}$	$\frac{3}{2}$	$\frac{3}{2}$	$\frac{3}{2}$	OBSOLETE	TIN	TIN	.600±.005	.700	2.100	3	42	<del>1-1571586-3</del>
$\frac{3}{2}$	$\frac{3}{2}$	$\frac{3}{2}$	$\frac{3}{2}$	OBSOLETE	TIN	TIN	.600±.005	.700	2.000	3	40	<del>1-1571586-2</del>
$\frac{3}{2}$	$\frac{3}{2}$	$\frac{3}{2}$	$\frac{3}{2}$	OBSOLETE	TIN	TIN	.600±.005	.700	1.800	3	36	<del>1-1571586-1</del>
$\frac{3}{2}$	$\frac{3}{2}$	$\frac{3}{2}$	$\frac{3}{2}$		TIN	TIN	.600±.005	.700	1.600	3	32	1-1571586-0
$\frac{3}{2}$	$\frac{3}{2}$	$\frac{3}{2}$	$\frac{3}{2}$	OBSOLETE	TIN	TIN	.600±.005	.700	1.400	2	28	<del>1571586-9</del>
$\frac{3}{2}$	$\frac{3}{2}$	$\frac{3}{2}$	$\frac{3}{2}$	OBSOLETE	TIN	TIN	.600±.005	.700	1.200	2	24	<del>1571586-8</del>
$\frac{3}{2}$	$\frac{3}{2}$	$\frac{3}{2}$	$\frac{3}{2}$	OBSOLETE	TIN	TIN	.400±.005	.500	1.100	2	22	<del>1571586-7</del>
$\frac{3}{2}$	$\frac{3}{2}$	$\frac{3}{2}$	$\frac{3}{2}$		TIN	TIN	.300±.005	.400	1.000	2	20	1571586-6
$\frac{3}{2}$	$\frac{3}{2}$	$\frac{3}{2}$	$\frac{3}{2}$	OBSOLETE	TIN	TIN	.300±.005	.400	.900	2	18	<del>1571586-5</del>
$\frac{3}{2}$	$\frac{3}{2}$	$\frac{3}{2}$	$\frac{3}{2}$	OBSOLETE	TIN	TIN	.300±.005	.400	.800	2	16	<del>1571586-4</del>
$\frac{3}{2}$	$\frac{3}{2}$	$\frac{3}{2}$	$\frac{3}{2}$	OBSOLETE	TIN	TIN	.300±.005	.400	.700	2	14	<del>1571586-3</del>
$\frac{3}{2}$	$\frac{3}{2}$	$\frac{3}{2}$	$\frac{3}{2}$		TIN	TIN	.300±.005	.400	.400	1	8	1571586-2

FINISH	"C" MAX	"B" MAX	"A" MAX	FIG	NO. OF POSN	PART NO.
CONTACT/SLEEVE						

THIS DRAWING IS A CONTROLLED DOCUMENT.		DIN T. KRAYBILL 07NOV03	 TE Connectivity	
DIMENSIONS: INCHES	TOLERANCES UNLESS OTHERWISE SPECIFIED:	CHK K. WRIGHT	APPV K. WRIGHT	NAME
0. PLC ± -	1. PLC ± -	PRODUCT SPEC		OPEN FRAME DIP, PREMIUM (MACHINE CONTACT), LEAD FREE (REF AUGAT 800 SERIES)
2. PLC ± -	3. PLC ± .005	APPLICATION SPEC		SIZE
4. PLC ± -	ANGLES ± -	WEIGHT		CAGE CODE
MATERIAL	FINISH	DRAWING NO.		RESTRICTED TO
		A1 00779C=1571586		
CUSTOMER DRAWING			SCALE 1:1	SHEET 2 OF 2
			REV	B2