

4

3

2

1

THIS DRAWING IS UNPUBLISHED.

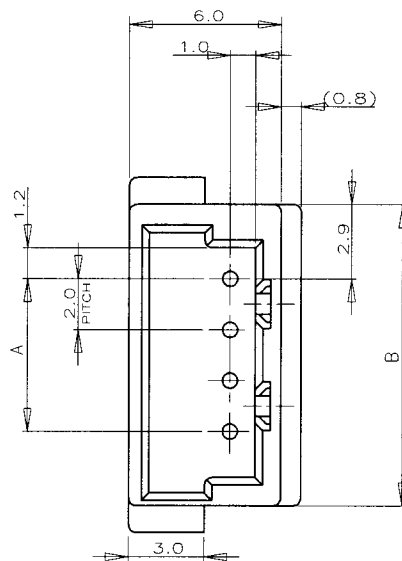
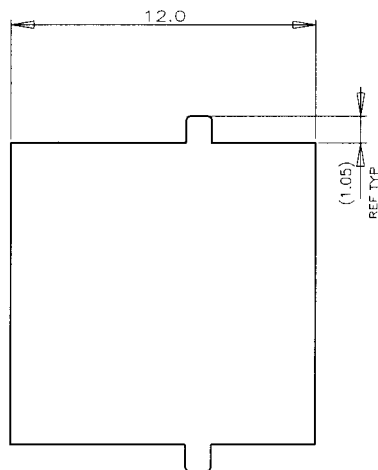
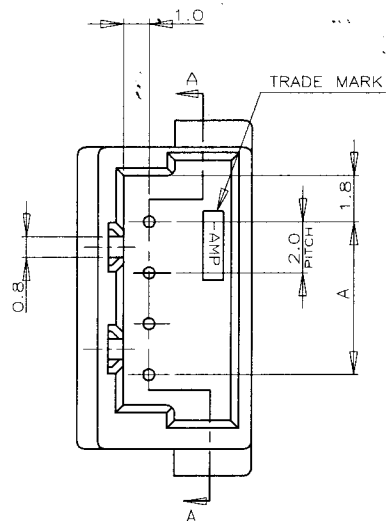
RELEASED FOR PUBLICATION

© COPYRIGHT BY TYCO ELECTRONICS CORPORATION. ALL RIGHTS RESERVED.

LOC FB DIST 00

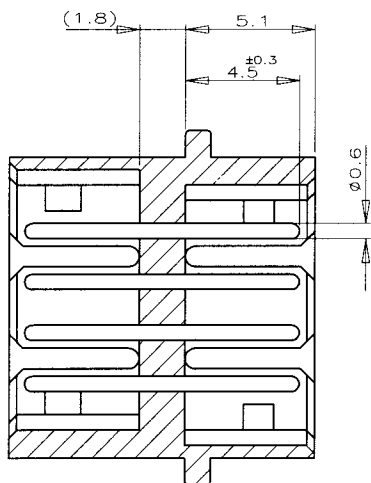
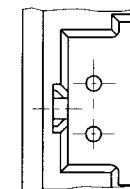
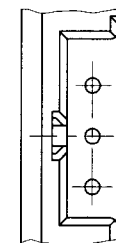
REVISIONS

P	LTR	DESCRIPTION	DATE	DWN	APVD
0	RELEASED	FB00-0013-03	23JAN03	J.J	T.S



NOTES;

△ MATERIAL: HOUSING - 66 NYLON (UL94V-0)
POST - TIN BRASS



SECT. A-A

TOLERANCES UNLESS OTHERWISE SPECIFIED:

10 > * ±0.2
 30 > * > 10 ±0.25
 100 > * > 30 ±0.3
 ANGEL ±3°

6-	-6	4-	-6	2-	-6	-6	6	15.8	10.0
6-	-5	4-	-5	2-	-5	-5	5	13.8	8.0
6-	-4	4-	-4	2-	-4	-4	4	11.8	6.0
6-	-3	4-	-3	2-	-3	-3	3	9.8	4.0
6-292156-2		4-292156-2		2-292156-2		292156-2	2	7.8	2.0
BLACK		YELLOW		BLUE		NATURAL	Pos.	B	A

THIS DRAWING IS A CONTROLLED DOCUMENT.

DWN S.XU 31JAN03
 CHK S.YAO 31JAN03
 APVD T.SASAKI 31JAN03

tyco Tyco Electronics Corporation
Electronics SHANGHAI, CHINA, 200233

NAME: FREE HANGING TYPE RELAY POST HEADER ASS'Y (AMP CT CONN. 2mm PITCH)

PRODUCT SPEC: -
 APPLICATION SPEC: -
 WEIGHT: -

SIZE: A3 CAGE CODE: 00779 DRAWING NO: G-292156 RESTRICTED TO: -

CUSTOMER DRAWING SCALE: 5:1 SHEET: 1 OF 1 REV: 0