

Ultra-Fast Plus Fully Insulated FASTON Receptacles and Tabs (Continued)

Ultra-Fast Plus Fully Insulated FASTON Receptacles

Material

Housing — Nylon

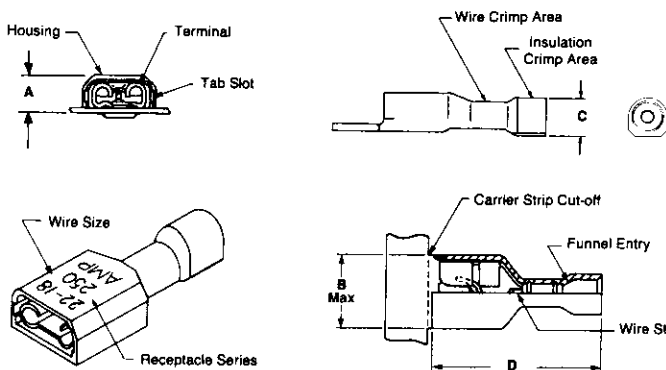
Flammability — UL 94 V-2

Terminal — Tin plated, copper alloy

Color Code (Translucent)

Red — 22-18 AWG

Blue — 16-14 AWG



| Description | Wire Range AWG | Ins. Dia. Range | Dimensions | | | | Mating Tab | Terminal Base Material | Part Numbers | |
|---------------------|-------------------|------------------------|--------------|---------------|--------------|---------------|--------------------------------------|---------------------------|--------------|-------------|
| | | | A | B | C | D | | | Strip | Loose Piece |
| .110/.125 Series | 22-18 | .060-.120 1.52-3.05 | .160 4.06 | .275 6.99 | .167 4.24 | .735 18.67 | .020 x .110/.125 0.51 x 2.79/3.18 | Brass | 2-520932-2 | — |
| | | | | | | | .032 x .110/.125 0.81 x 2.79/3.18 | | 2-520979-2 | — |
| .187 Series | 22-18 | .060-.135 1.52-3.43 | .165 4.24 | .336 8.53 | .200 5.08 | .855 21.72 | .020 x .187 0.51 x 4.75 | Brass | 2-520401-2 | 2-520409-2 |
| | | | | | | | .032 x .187 0.81 x 4.75 | | 2-520403-2 | 2-520411-2 |
| | 16-14 | .090-.160 2.29-4.06 | .185 4.70 | .336 8.53 | .225 5.72 | .855 21.72 | .020 x .187 0.51 x 4.75 | Brass | 3-520402-2 | 3-520410-2 |
| | | | | | | | .032 x .187 0.81 x 4.75 | | 3-520404-2 | 3-520412-2 |
| .250 Series | 22-18 | .060-.135 1.52-3.43 | .195 4.95 | .409 10.39 | .200 5.08 | .855 21.72 | .032 x .250 0.81 x 6.35 | Brass | 2-520405-2 | 2-520407-2 |
| | | | | | | | .032 x .250 0.81 x 6.35 | | 3-520406-2 | 3-520408-2 |

Ultra-Fast Plus Fully Insulated FASTON Tabs

Material

Housing — Nylon

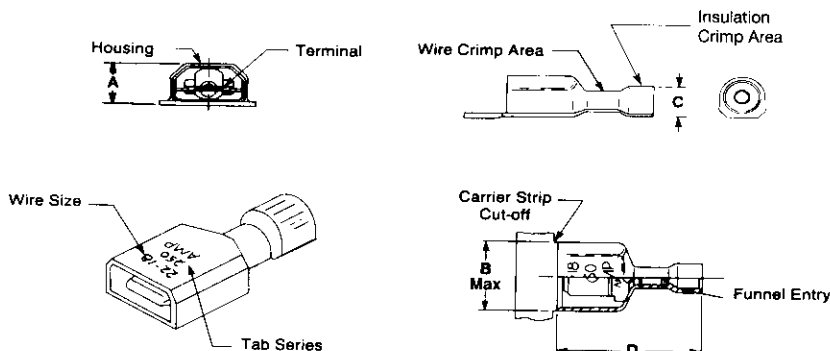
Flammability — UL 94 V-2

Terminal — Tin plated, copper alloy

Color Code (Translucent)

Red — 22-18 AWG

Blue — 16-14 AWG



| Description | Wire Range AWG | Ins. Dia. Range | Dimensions | | | | Mating Tab | Terminal Base Material | Part Numbers | |
|----------------|-------------------|------------------------|--------------|---------------|--------------|---------------|----------------------------|---------------------------|--------------|-------------|
| | | | A | B | C | D | | | Strip | Loose Piece |
| .187 Series | 22-18 | .060-.135 1.52-3.43 | .250 6.35 | .488 11.38 | .205 5.21 | .793 20.14 | .020 x .187 0.51 x 4.75 | Brass | 2-521360-2 | — |
| | | | | | | | .032 x .187 0.81 x 4.75 | | 2-521361-2 | — |
| .250 Series | 22-18 | .060-.135 1.52-3.43 | .290 7.37 | .522 13.26 | .205 5.21 | .855 21.72 | .032 x .250 0.81 x 6.35 | Brass | 2-521055-2 | — |
| | | | | | | | .032 x .250 0.81 x 6.35 | | 3-521057-2 | — |

Ultra-Fast Plus Fully Insulated FASTON Receptacles and Tabs