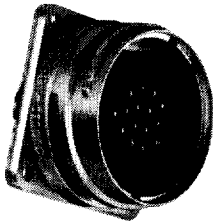


Metal-Shell Circular Plastic Connectors, Series 1

Metal-Shell CPC Connectors, Series 1, Reverse Sex



Listed part numbers are for connectors only; **contacts must be ordered separately.**

Material and Finish:

Square Flange Receptacle—

Housing—Thermoplastic, UL 94V-0 rated, black

Metal-Shell—Zinc alloy, plated nickel

Grooved Pin—Steel alloy, plated nickel

Plug—

Housing—Thermoplastic, UL 94V-0 rated, black

Metal-Shell—Zinc alloy, plated nickel

Tetraseal Seal—Fluorocarbon

Retainer Ring—Retainer Ring

Coupling Ring—Zinc alloy, plated nickel

Related Product Data:

Contacts—pages 9101-9103, 9105, 9109

Contact Arrangement—page 9159

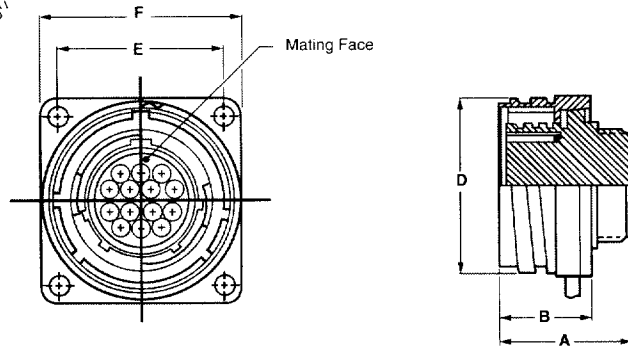
Component Dimensions—page 9168

Accessories—page 9169

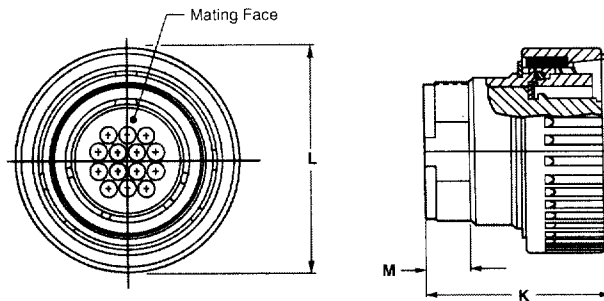
Performance Characteristics—page 9122

Technical Documents: page 9119

Square Flange Receptacles (Accepts Multimate Sockets)

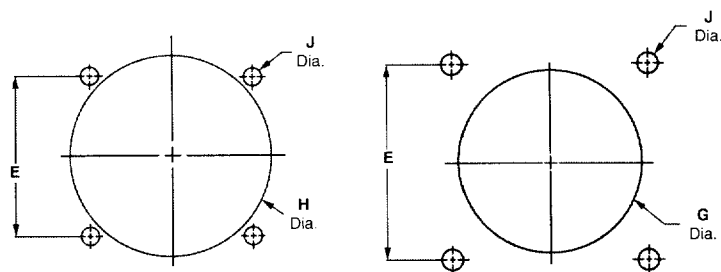


Plugs (Accepts Multimate Pins)



Arrangement	Square Flange Receptacle	Plug Part Numbers	
		without Tetraseal Seal	with Tetraseal Seal
14-5	208721-1	208720-1	—
14-7	208717-1	208716-1	208716-2
22-14	208487-1	208486-1	208486-3
28-37	208473-1	208472-1	208472-3

Note: Maximum wire insulation diameter is .100 [2.54], except arrangements 14-5 and 28-24 are .150 [3.81] max.



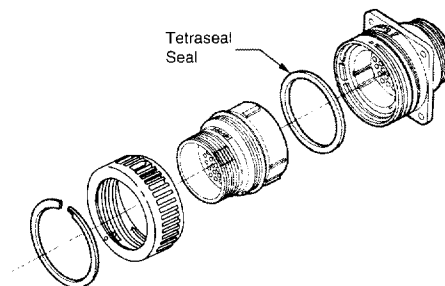
Rear Mount Panel Cutout

Front Mount Panel Cutout

Tetraseal Seal

(Installed in plugs only.)

The Tetraseal Seal provides splash-proof sealing between mating metal shells. It is located behind the plug shell external keys (under the coupling ring). When mated with a receptacle, the seal is compressed against the inside diameter of the mating end edge of the receptacle shell.



For complete product information, order Catalog 82021