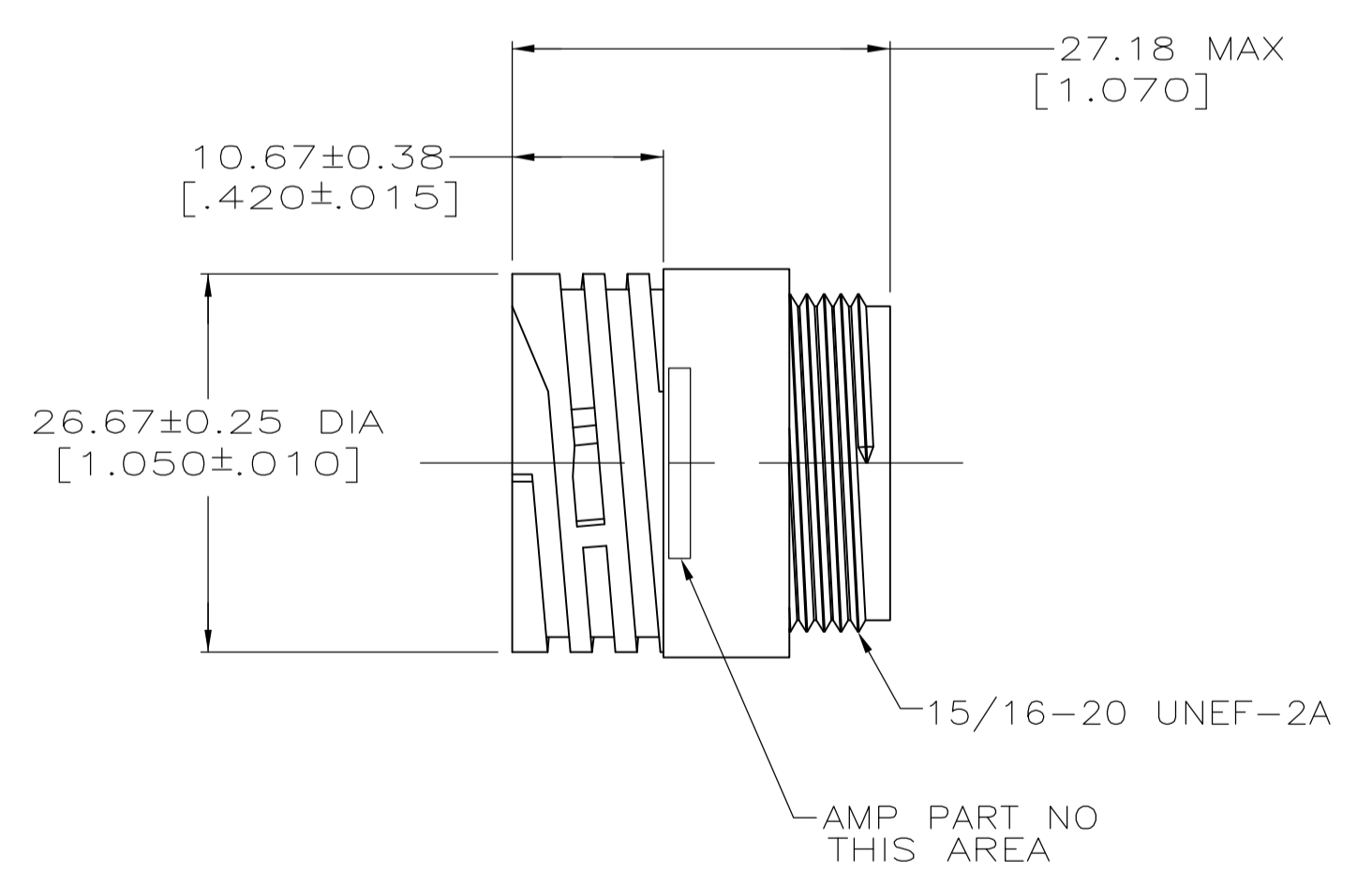
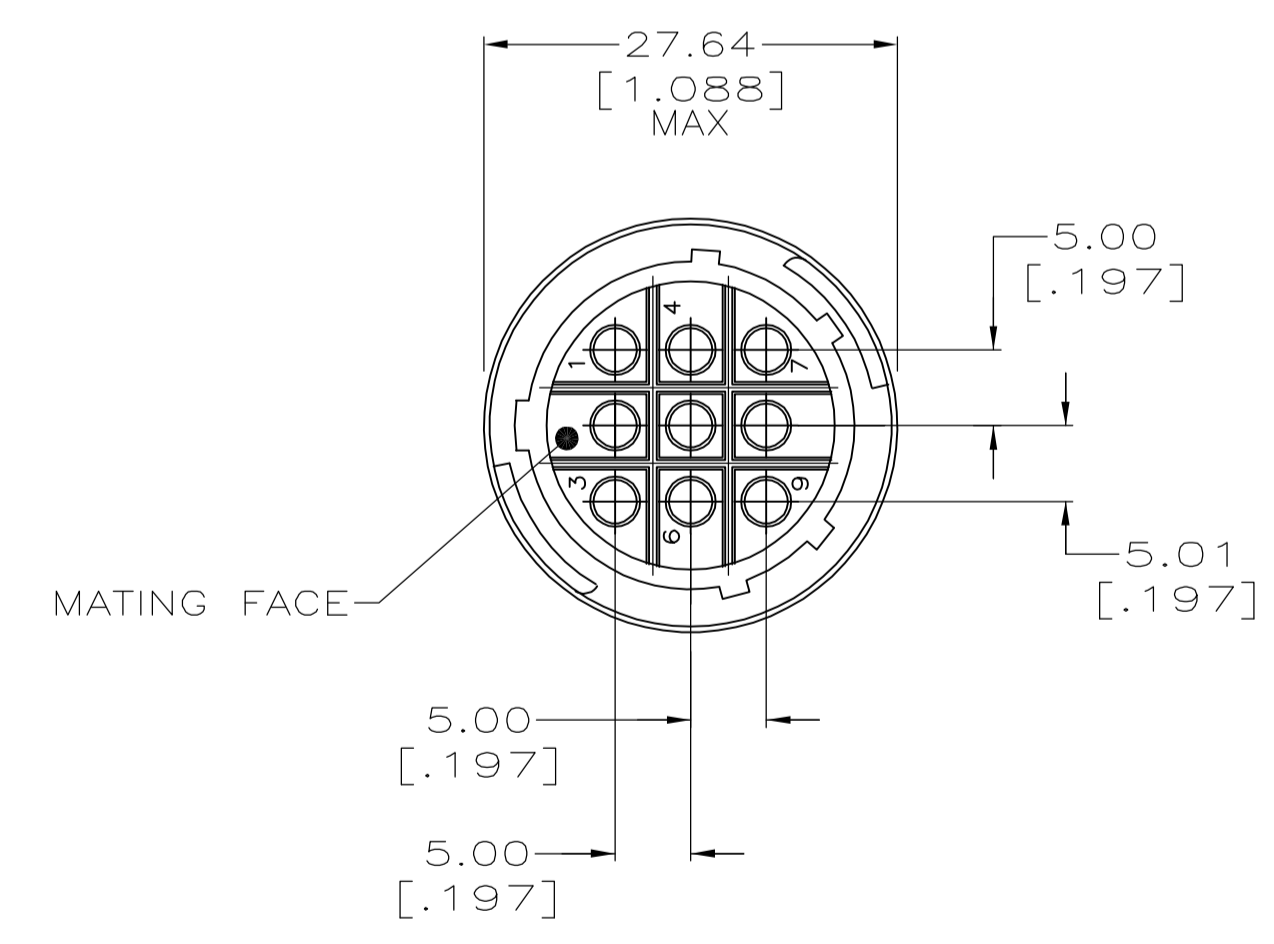


211769-1, -2, -4 & -5



211769-3

1. CAVITY IDENTIFICATION ON FRONT AND REAR FACE.
2. WILL ACCEPT NINE (9) MULTIMATE SOCKET CONTACTS.
3. 3.81[.150] MAXIMUM INSULATION DIAMETER.
4. 2.54[.100] MAXIMUM INSULATION DIAMETER.

YES	FLANGE	211769-5
NO	FLANGE	211769-4
NO	FREE HANGING	211769-3
NO	FLANGE	211769-2
NO	FLANGE	211769-1
THREADED INSERTS	MOUNTING	PART NUMBER

THIS DRAWING IS A CONTROLLED DOCUMENT.

DIMENSIONS: mm [INCHES]	TOLERANCES UNLESS OTHERWISE SPECIFIED:	DIN 09-24-94	tyco Electronics Tyco Electronics Corporation Harrisburg, PA 17105-3608
0 PLC ± -	1 PLC ± -	09-30-94	
2 PLC ± 0.13 [.005]	3 PLC ± -		
4 PLC ± -	ANGLES ± -		
MATERIAL -	FINISH -	WEIGHT -	SIZE A1 00779 C=211769
CUSTOMER DRAWING			SCALE 2:1 SHEET 1 OF 1 REV G