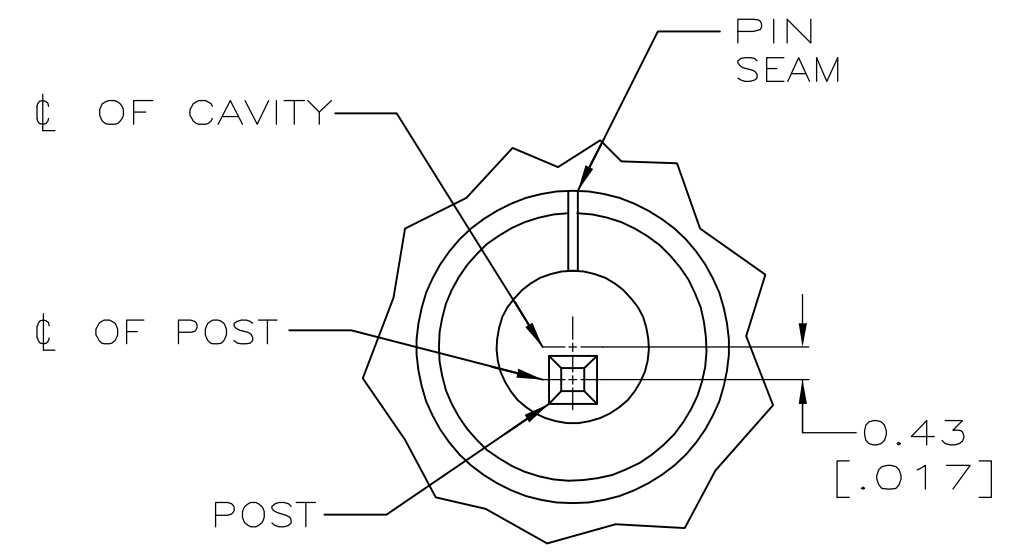
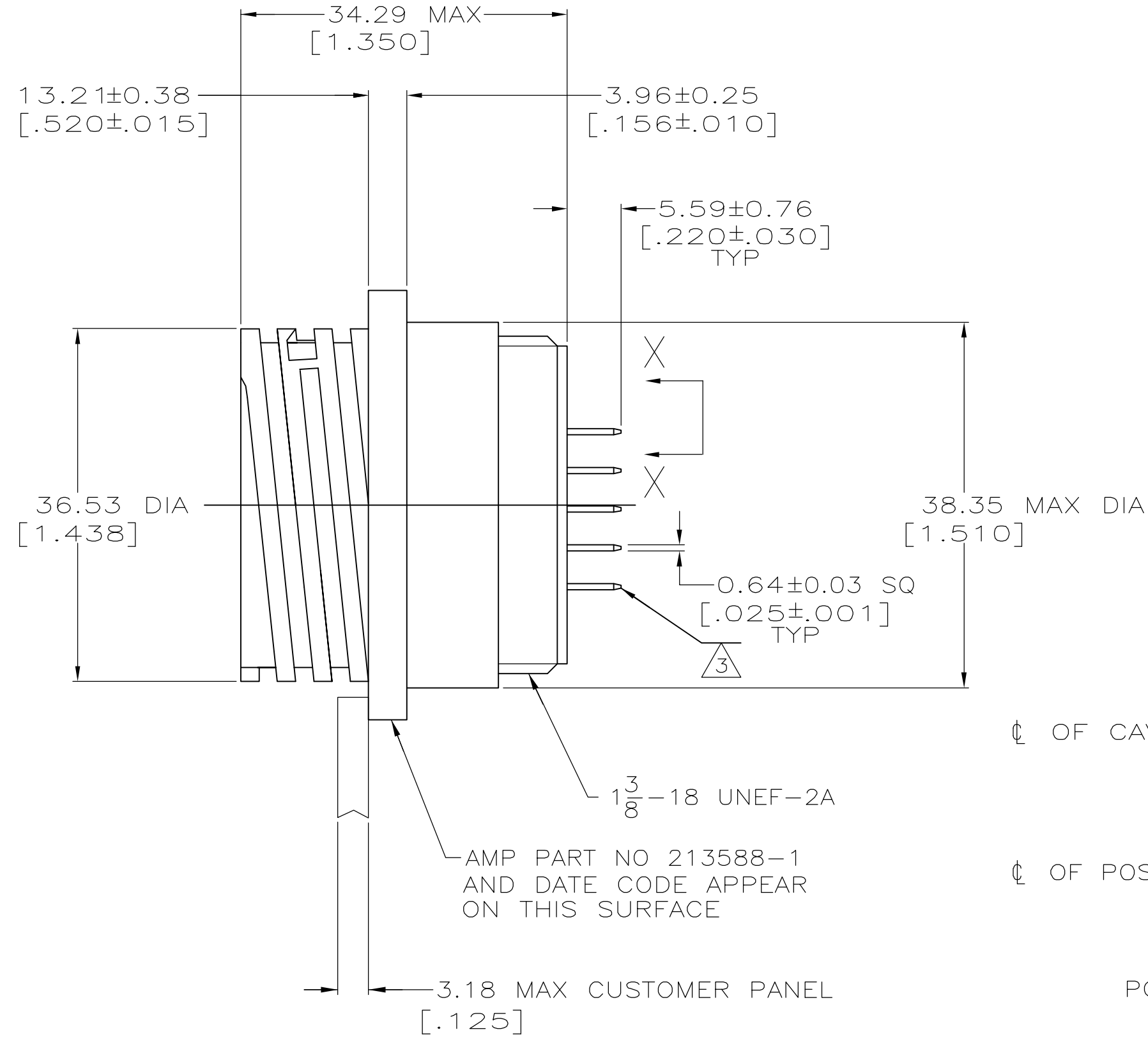
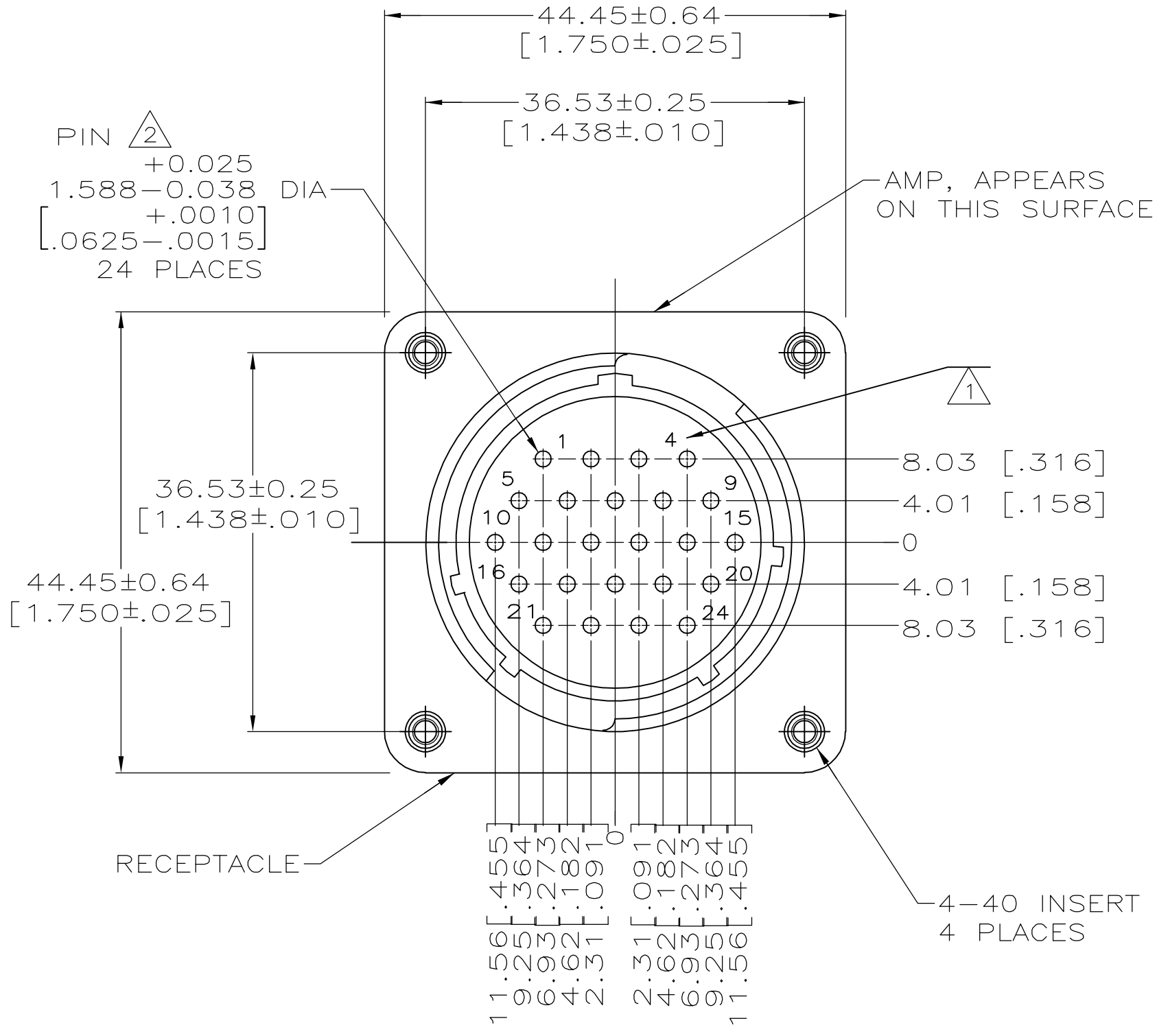
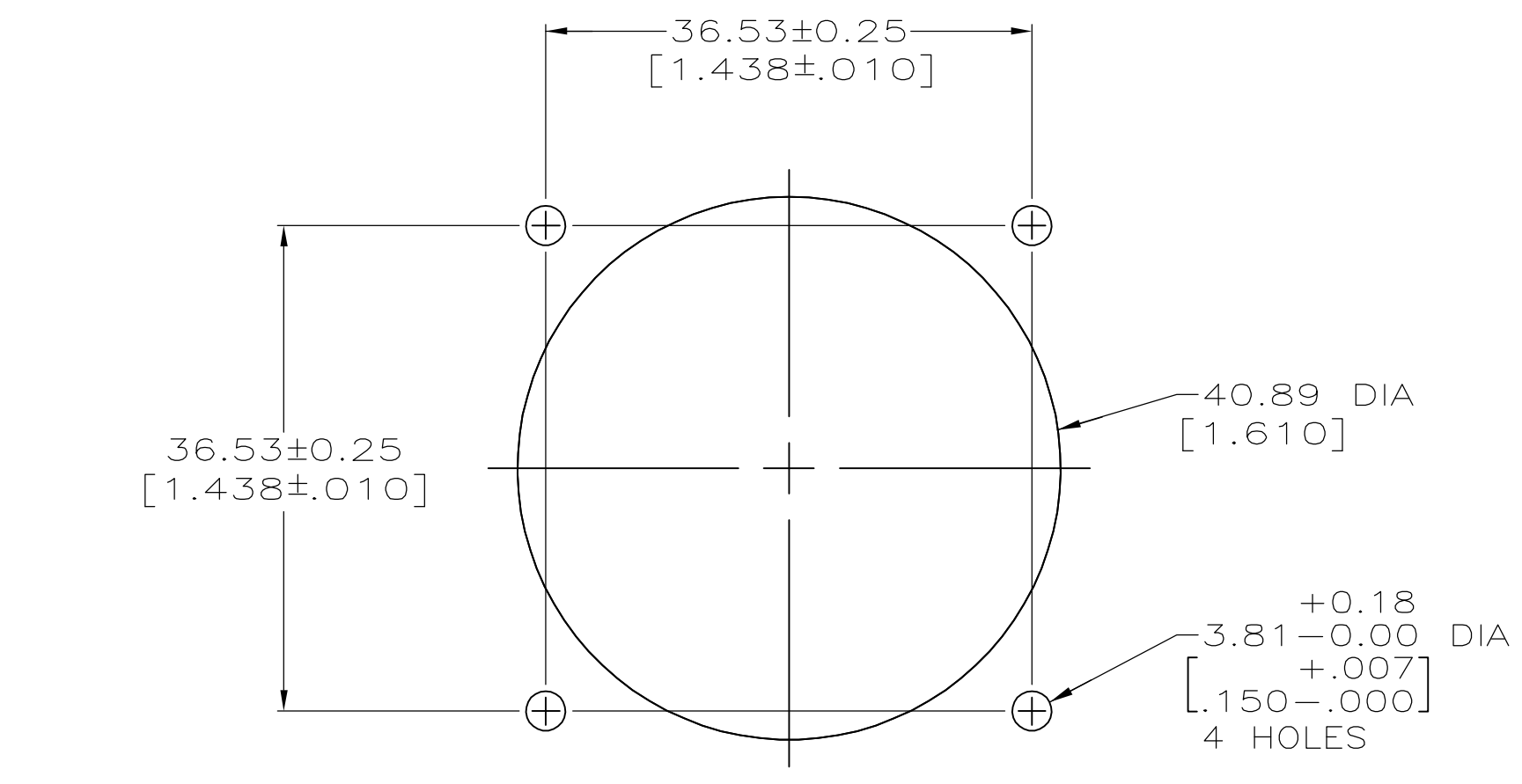


THIS DRAWING IS UNPUBLISHED. RELEASED FOR PUBLICATION
 © COPYRIGHT BY TYCO ELECTRONICS CORPORATION. ALL RIGHTS RESERVED.

LOC		DIST		REVISIONS			
BD	0	P	LTR	DESCRIPTION	DATE	DWN	APVD
		B		REVISED PER ECO-06-2610	2/17/06	SS	SH



VIEW X-X
TYPICAL
SCALE 10:1



RECOMMENDED PANEL CUTOUT

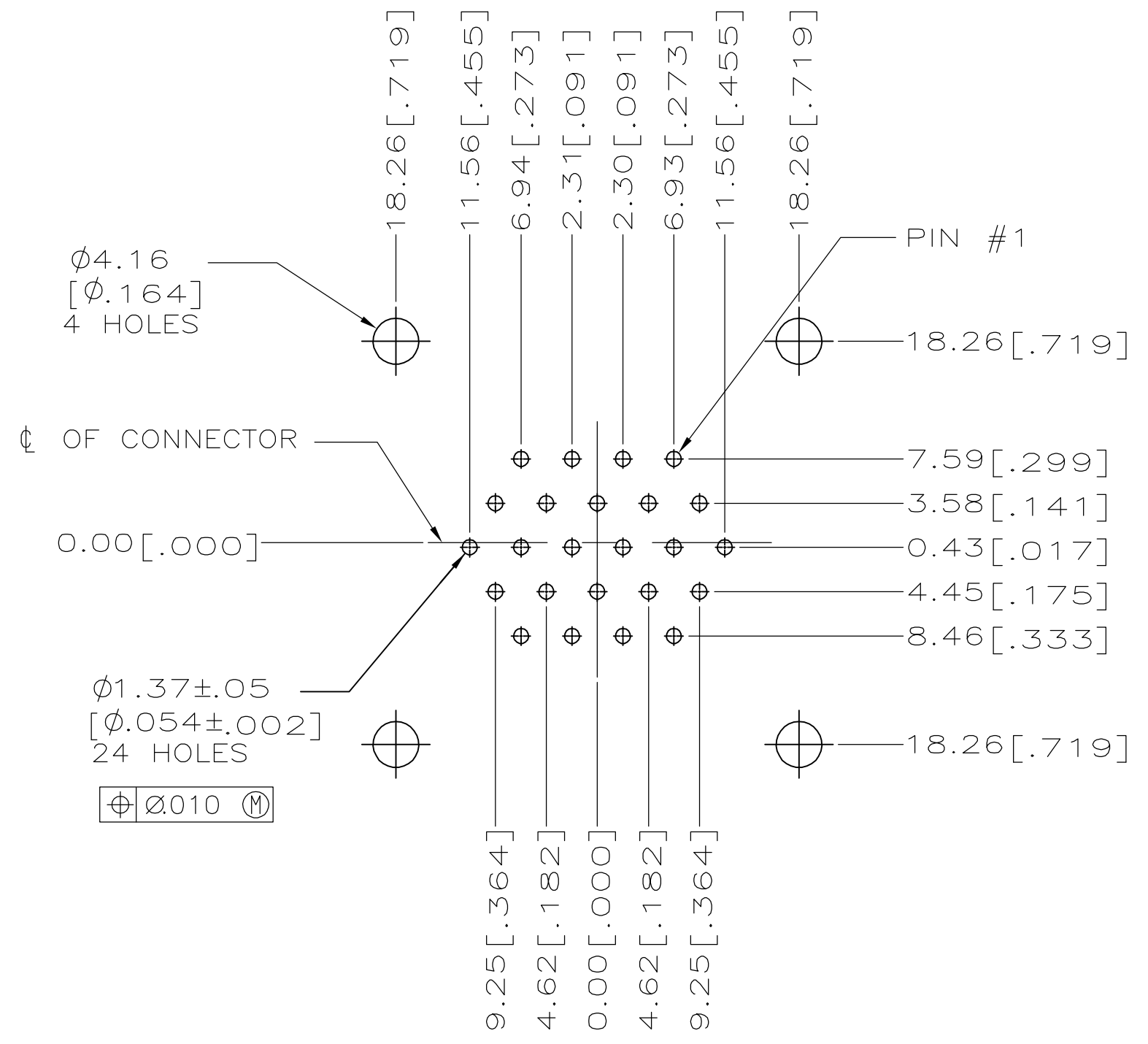
- ① CAVITY IDENTIFICATION CHARACTERS ON FRONT AND REAR FACE.
- ② $1.27 \mu\text{m}$ [0.000050] MIN TIN OVER NICKEL FLASH.
- ③ $2.54 \mu\text{m}$ [0.000100] MIN TIN-LEAD OVER $2.54 \mu\text{m}$ [0.000100] MIN COPPER ON THIS END.
- ④ $2.54 \mu\text{m}$ [0.000100] MIN TIN OVER $2.54 \mu\text{m}$ [0.000100] MIN COPPER ON THIS END.

④	213588-2
③	213588-1
POST FINISH	PART NUMBER

THIS DRAWING IS A CONTROLLED DOCUMENT.		DWN	C DORWART	2-23-90	Tyco Electronics Corporation Harrisburg, PA 17105-3608	
DIMENSIONS: mm [INCHES]		CHK	-	-	NAME	
TOLERANCES UNLESS OTHERWISE SPECIFIED:		APVD	-	-	PRODUCT SPEC	
0 PLC	± -	APPLICATION SPEC	-	-	SIZE	
1 PLC	± -	WEIGHT	-	-	CAGE CODE	
2 PLC	± 0.13[.005]	CUSTOMER DRAWING	-	-	DRAWING NO	
3 PLC	± -	SCALE	2:1	-	SHEET	
4 PLC	± -	SCALE	2:1	-	1 of 2	
ANGLES	± -	SCALE	2:1	-	REV	
FINISH	-	SCALE	2:1	-	B	

THIS DRAWING IS UNPUBLISHED. RELEASED FOR PUBLICATION
 © COPYRIGHT BY TYCO ELECTRONICS CORPORATION. ALL RIGHTS RESERVED.

LOC	DIST	REVISIONS			
P	LTR	DESCRIPTION	DATE	DWN	APVD
BD	0	SEE SHEET 1	-	-	-



RECOMMENDED P.C. BOARD LAYOUT

THIS DRAWING IS A CONTROLLED DOCUMENT.		DWN C DORWART	2-23-90	Tyco Electronics Corporation Harrisburg, PA 17105-3608	
DIMENSIONS: mm [INCHES]		CHK -	-	NAME	
TOLERANCES UNLESS OTHERWISE SPECIFIED:		APVD -	-	RECEPTACLE ASSEMBLY, 23-24, STANDARD SEX, POSTED CONTACTS, CPC	
0 PLC ± - 1 PLC ± - 2 PLC ± 0.13 [.005] 3 PLC ± - 4 PLC ± - ANGLES ± - FINISH -		PRODUCT SPEC -	-	SIZE A2	CAGE CODE 00779
MATERIAL INSERT AND PIN: BRASS		APPLICATION SPEC -	-	DRAWING NO C=213588	RESTRICTED TO -
CUSTOMER DRAWING			WEIGHT -	SCALE 2:1	SHEET 2 OF 2
			REV B		