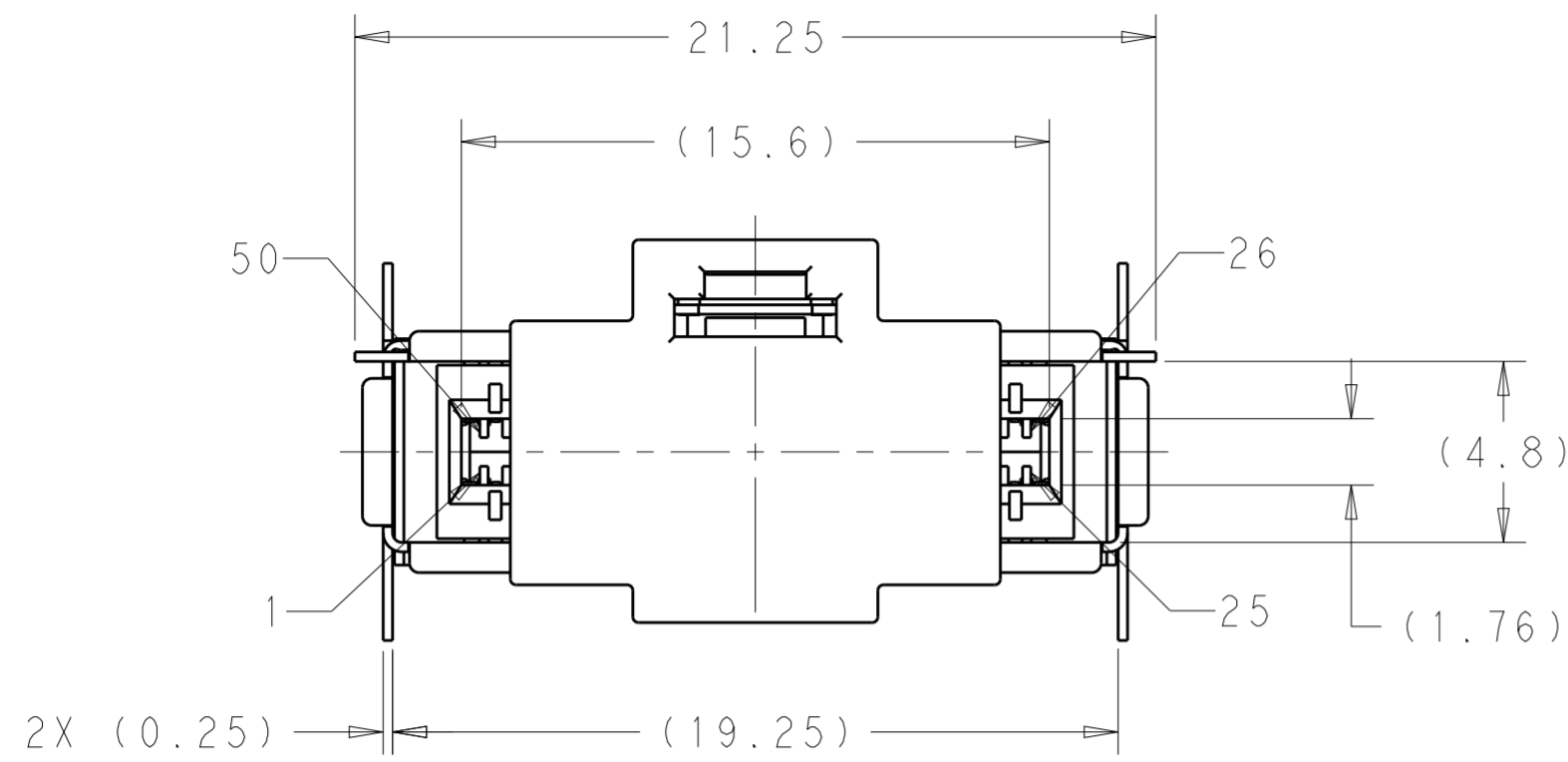
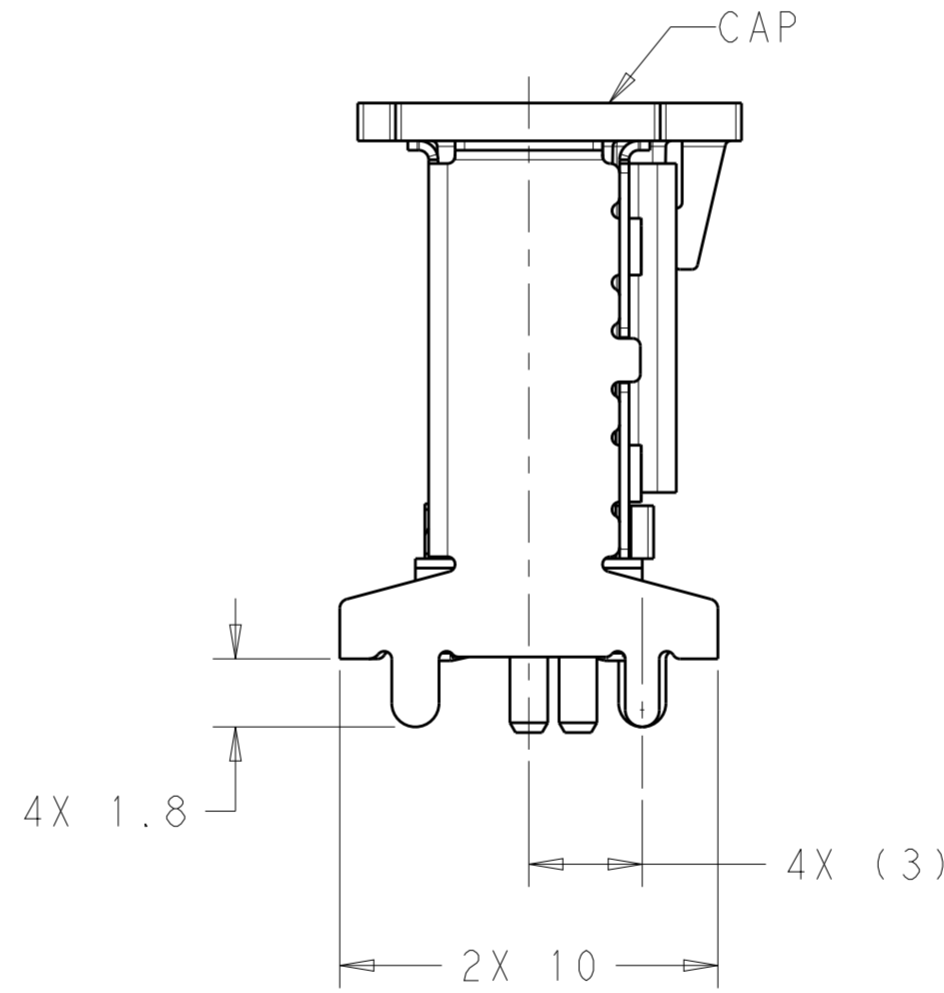
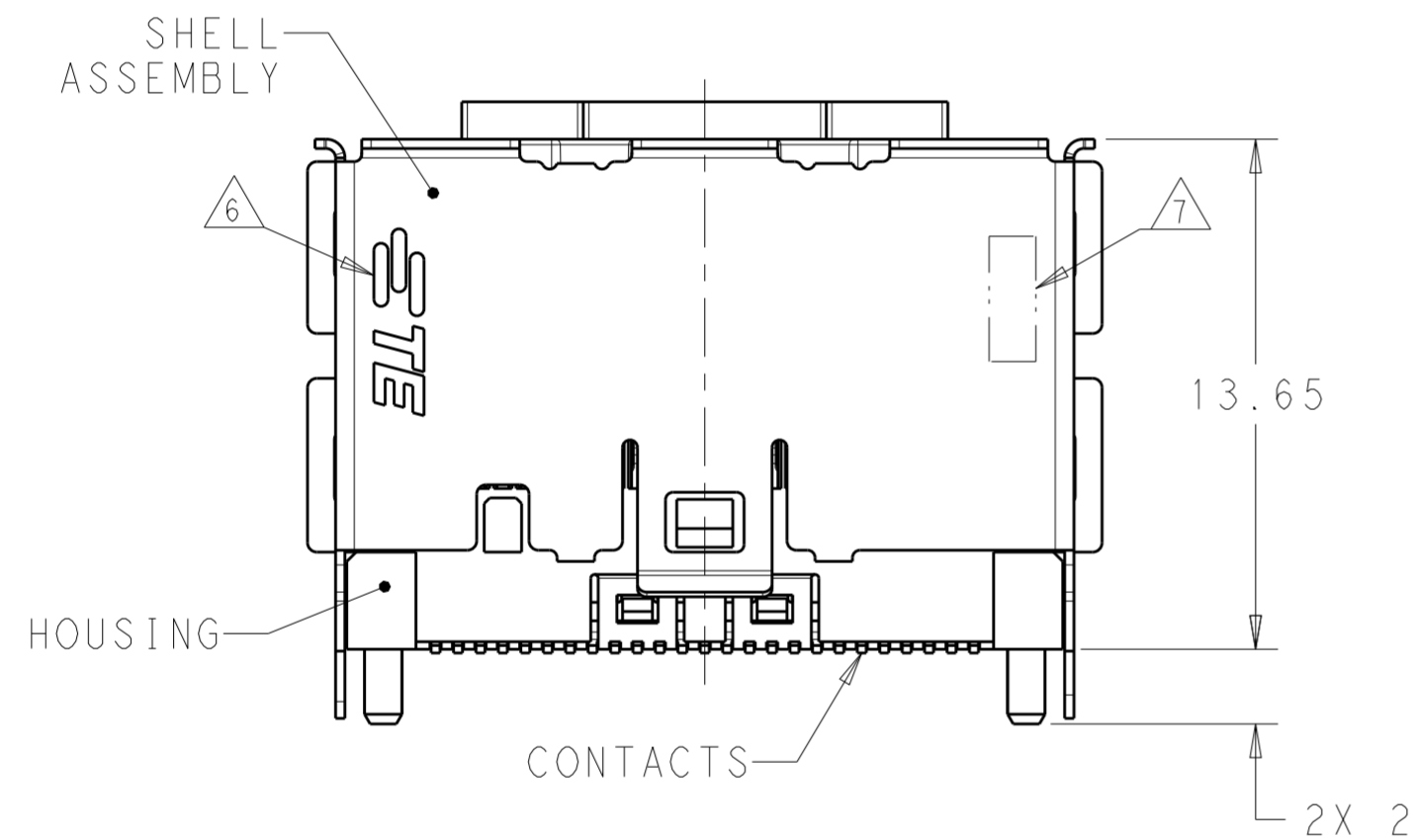


THIS DRAWING IS UNPUBLISHED. RELEASED FOR PUBLICATION 20
 © COPYRIGHT 20 BY - ALL RIGHTS RESERVED.

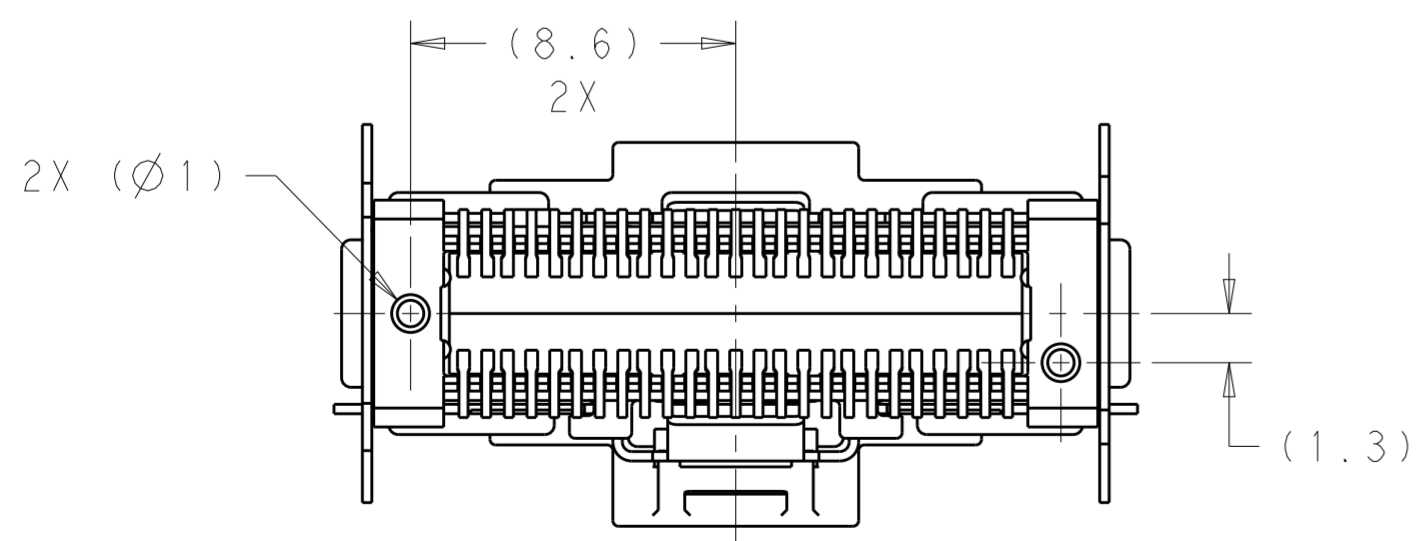
REVISIONS					
P	LTR	DESCRIPTION	DATE	DWN	APVD
5		REVISED HOLD DOWN, WAS 1.50 NOW 2.35	22OCT2015	MS	MP
6		ADD -2 PART NUMBER, CAP, REVISED NOTE 1	12FEB2016	MS	MP
7		WAS (1.9) NOW (1.76), REV HOLD DOWN LG	21MAR2016	MS	MP
8		CAP MAT'L WAS NYLON	10NOV2016	CJV	MJP



- ① HOUSING AND CONTACT OVERMOLD: LCP, BLACK.
CAP: LCP, BLACK.
CONTACTS: COPPER ALLOY.
SHELL ASSEMBLY: COPPER ALLOY, NICKEL PLATED.
TIN PLATED ON HOLD DOWNS.
- ② GOLD PLATED ON MATING INTERFACE. TIN PLATED ON SOLDER TAILS.
- ③ DATUM AND BASIC DIMENSION ESTABLISHED BY CUSTOMER.
- 4. DESIGNED FOR A 1.42 MIN THICK PC BOARD.
- ⑤ RECOMMENDED COMPONENT KEEP OUT AREA.
- ⑥ TE CONNECTIVITY LOGO MARKED IN APPROXIMATE AREA SHOWN.
- ⑦ PART NUMBER AND DATE CODE MARKED IN APPROXIMATE AREA SHOWN.



THIS PRODUCT HAS NOT COMPLETED VALIDATION AND QUALIFICATION TESTING



PRELIMINARY NOT RELEASED FOR PRODUCTION

WITHOUT CAP	2292096-2
WITH CAP	2292096-1
REMARKS	PART NUMBER

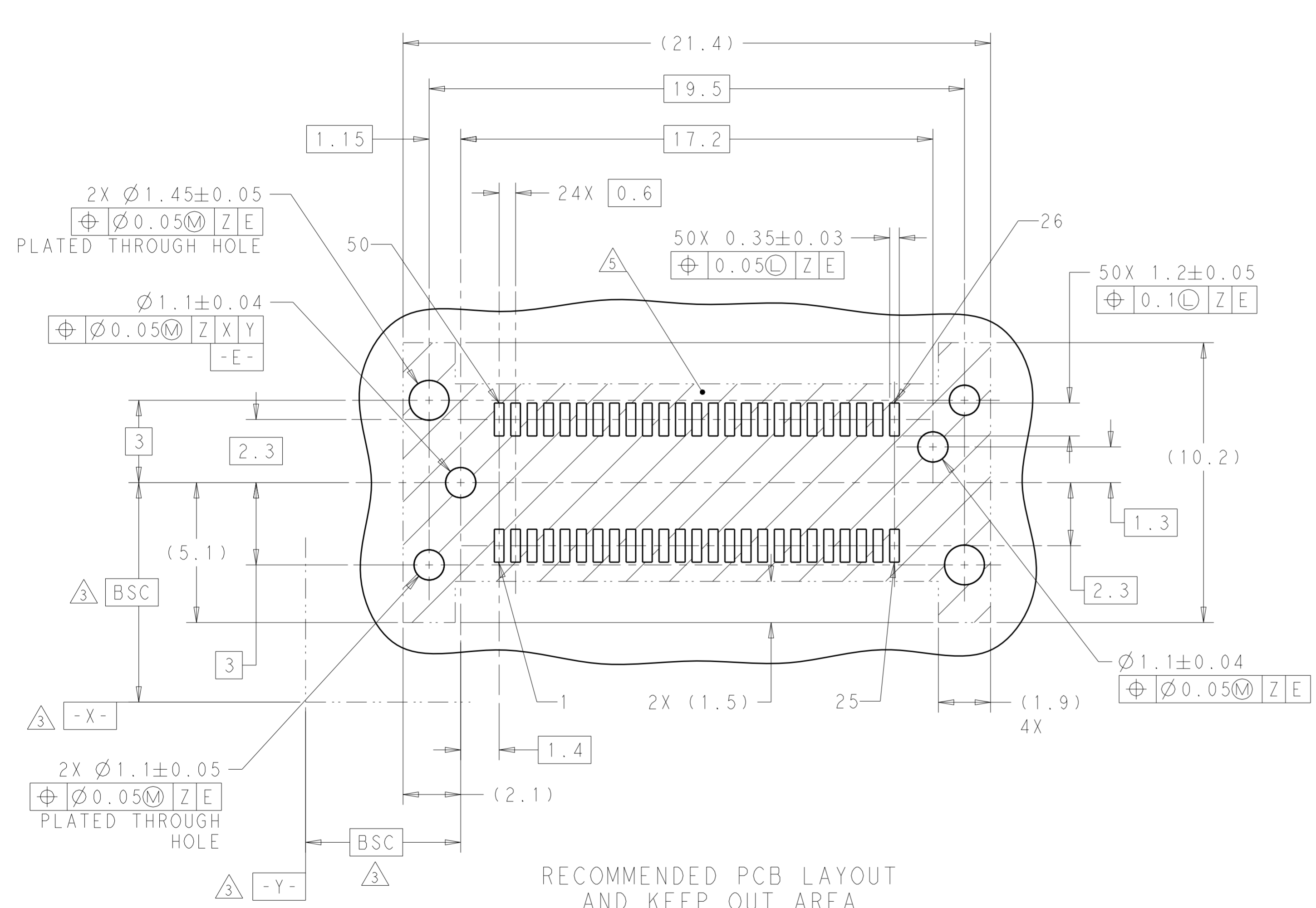
THIS DRAWING IS A CONTROLLED DOCUMENT.		DWN M. SHIRK 06APR2015	TE Connectivity	
		CHK M. PHILLIPS 06APR2015		
DIMENSIONS: mm		APVD -	NAME RECEPTACLE CONNECTOR, VERTICAL, 50 POSITION, SLIVER	
TOLERANCES UNLESS OTHERWISE SPECIFIED:		PRODUCT SPEC -	SIZE A2	
0 PLC ±0.15		APPLICATION SPEC -	CAGE CODE -	
1 PLC ±0.15		WEIGHT -	DRAWING NO C-2292096	
2 PLC ±0.15		CUSTOMER DRAWING	RESTRICTED TO -	
3 PLC ±		SCALE 5:1	SHEET 1 OF 2	
4 PLC ±			REV 8	
ANGLES ±				
FINISH				

THIS DRAWING IS UNPUBLISHED. RELEASED FOR PUBLICATION 20
 © COPYRIGHT 20 BY - ALL RIGHTS RESERVED.

REVISIONS				
P	LTR	DESCRIPTION	DATE	APVD
-	-	SEE SHEET 1	-	-



-Z-



PIN #	DESCRIPTION	PIN #	DESCRIPTION
1	SIGNAL GROUND	26	SIGNAL GROUND
2	SIGNAL	27	SIGNAL
3	SIGNAL	28	SIGNAL
4	SIGNAL GROUND	29	SIGNAL GROUND
5	SIGNAL	30	SIGNAL
6	SIGNAL	31	SIGNAL
7	SIGNAL GROUND	32	SIGNAL GROUND
8	SIGNAL	33	SIGNAL
9	SIGNAL	34	SIGNAL
10	SIGNAL GROUND	35	SIGNAL GROUND
11	SIGNAL	36	SIGNAL
12	SIGNAL	37	SIGNAL
13	SIGNAL GROUND	38	SIGNAL GROUND
14	SIGNAL	39	SIGNAL
15	SIGNAL	40	SIGNAL
16	SIGNAL GROUND	41	SIGNAL GROUND
17	SIGNAL	42	SIGNAL
18	SIGNAL	43	SIGNAL
19	SIGNAL GROUND	44	SIGNAL GROUND
20	SIGNAL	45	SIGNAL
21	SIGNAL	46	SIGNAL
22	SIGNAL GROUND	47	SIGNAL GROUND
23	SIGNAL	48	SIGNAL
24	SIGNAL	49	SIGNAL
25	SIGNAL GROUND	50	SIGNAL GROUND

RECOMMENDED PCB LAYOUT
 AND KEEP OUT AREA
 SCALE 8:1

PRELIMINARY
NOT RELEASED FOR PRODUCTION

**THIS PRODUCT HAS NOT
 COMPLETED VALIDATION AND
 QUALIFICATION TESTING**

THIS DRAWING IS A CONTROLLED DOCUMENT.		DWN M. SHIRK 06APR2015	TE Connectivity	
DIMENSIONS: mm		CHK M. PHILLIPS 06APR2015		
TOLERANCES UNLESS OTHERWISE SPECIFIED:		APVD -	NAME RECEPTACLE CONNECTOR, VERTICAL, 50 POSITION, SLIVER	
0 PLC ±0.15		PRODUCT SPEC -	SIZE A2	
1 PLC ±0.15		APPLICATION SPEC -	CAGE CODE -	
2 PLC ±0.15		WEIGHT -	DRAWING NO. C-2292096	
3 PLC ±		CUSTOMER DRAWING	RESTRICTED TO -	
4 PLC ±		SCALE 5:1	SHEET 2 OF 2	
ANGLES ±		REV 8		
FINISH ±				