

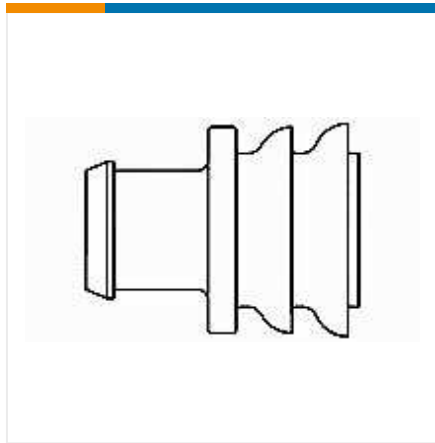


TE Connectivity: Every Connection Counts
© 2015 TE Connectivity Ltd. family of companies. All Rights Reserved

+ CONNECTORS



SEALS AND CAVITY PLUGS



✓ Active

↓ **PRODUCT DRAWING**
English

↓ **3D PDF**

TE CONNECTIVITY (TE)

SINGLE WIRE SEAL

AMP | AMP Superseal 1.5mm Series

281934-2

TE Internal Number: 281934-2

Alias ID: AMP-0-0281934-2, EG9734-000

Always EU RoHS/ELV Compliant

Seal Type **Single Wire Seal (SWS)**

Cavity Diameter **5.5 mm [.217 in]**

Cable Insulation Diameter **2.4 mm [.094 in]**

Material **Silicone**

Resistance to Hydrocarbons **POOR**

Product Drawings

SINGLE WIRE SEAL

PDF
English

CAD Files

3D PDF

PDF
English

Customer View Model

2D_DXF.ZIP
English

Customer View Model

3D_IGS.ZIP
English

Customer View Model

3D_STP.ZIP
English

Product Specifications

Product Specification

SEALED BULKHEAD CONNECTORS FOR TRUCKS

PDF
English

Qualification Test Report

AMP Superseal 1.5 Series

TIF
English

AMP Superseal 1.5 Series

PDF
English

Product Environmental Compliance

TE Material Declaration

[MD_281934-2_10072015724_dmtec](#)

PDF

English

Please review product documents or [contact us](#) for the latest agency approval information. Please Note: Use the Product Drawing for all design activity.

| | | |
|-----------------------|-----------|-------------------------------|
| Product Type Features | Seal Type | Single Wire Seal (SWS) |
|-----------------------|-----------|-------------------------------|

| | | |
|---------------|----------|-----------------|
| Body Features | Material | Silicone |
|---------------|----------|-----------------|

| | | |
|--|-------|---------------|
| | Color | Yellow |
|--|-------|---------------|

| | | |
|------------|-----------------|---------------------------|
| Dimensions | Cavity Diameter | 5.5 mm [.217 in] |
|------------|-----------------|---------------------------|

| | | |
|--|---------------------------|---------------------------|
| | Cable Insulation Diameter | 2.4 mm [.094 in] |
|--|---------------------------|---------------------------|

| | | |
|------------------|----------------------------------|--------------------------------|
| Usage Conditions | Operating Temperature (Max) (°C) | 105, 110, 120, 125, 130 |
|------------------|----------------------------------|--------------------------------|

| | | |
|--|----------------------------------|--------------------------------|
| | Operating Temperature (Max) (°F) | 221, 230, 248, 257, 266 |
|--|----------------------------------|--------------------------------|

Operating Temperature Range

-40 – 130 °C [-40 – 266 °F]

Industry Standards

UL Flammability Rating

None

Other

Resistance to Hydrocarbons

POOR

Shore A Hardness

50

Lubricant Content

Yes

Product Compliance

[Statement of Compliance](#)

PDF

[VIEW ALL PRODUCT COMPLIANCE](#)

CUSTOMERS ALSO BOUGHT